



US00D940211S

(12) **United States Design Patent**
Sullivan

(10) **Patent No.:** **US D940,211 S**

(45) **Date of Patent:** **** Jan. 4, 2022**

(54) **ICE TRAY**

(71) Applicant: **John Sullivan**, Tampa, FL (US)

(72) Inventor: **John Sullivan**, Tampa, FL (US)

(**) Term: **15 Years**

(21) Appl. No.: **29/762,025**

(22) Filed: **Dec. 14, 2020**

(51) **LOC (13) Cl.** **15-07**

(52) **U.S. Cl.**
USPC **D15/90**

(58) **Field of Classification Search**

USPC D7/368, 387, 619.1, 669, 672, 675, 676;
D15/79, 80, 90; D9/757, 759; D1/100

CPC F25C 1/08; F25C 1/24; F25C 1/25; F25C
1/243; F25C 1/246

See application file for complete search history.

(56) **References Cited**

U.S. PATENT DOCUMENTS

D847,222 S *	4/2019	Todirca	D15/90
D852,854 S *	7/2019	Helton	D15/90
D880,542 S *	4/2020	Burns	D15/90
D899,470 S *	10/2020	Liu	D15/90
D914,067 S *	3/2021	Wu	D15/90
D915,475 S *	4/2021	Wu	D15/90
D931,914 S *	9/2021	Zhai	D15/90
2009/0178430 A1 *	7/2009	Jendrusch	F25C 1/24 62/345

OTHER PUBLICATIONS

Eascrozn, Ice Cube Trays Silicone Set of 2, Sphere Ice Ball Maker, (date first available Mar. 22, 2021), Amazon.com, URL:<https://www.amazon.com/dp/B08ZMMG7CQ> (Year: 2021).*

* cited by examiner

Primary Examiner — Sheryl Lane

Assistant Examiner — Mark T. Philipps

(74) *Attorney, Agent, or Firm* — Barry Choobin; Patent 360

(57) **CLAIM**

An ornamental design for an ice tray, as shown and described herein.

DESCRIPTION

FIG. 1 is a perspective view of the lower tray, showing my new design;

FIG. 2 is a top view thereof;

FIG. 3 is a bottom view thereof;

FIG. 4 is a front view thereof;

FIG. 5 is a rear view thereof;

FIG. 6 is a right-side view thereof;

FIG. 7 is a left-side view thereof; and

FIG. 8 is a cross-sectional view of FIG. 2 along line 8-8;

FIG. 9 is a perspective view of the upper tray, showing my new design;

FIG. 10 is a top view thereof;

FIG. 11 is a bottom view thereof;

FIG. 12 is a front view thereof;

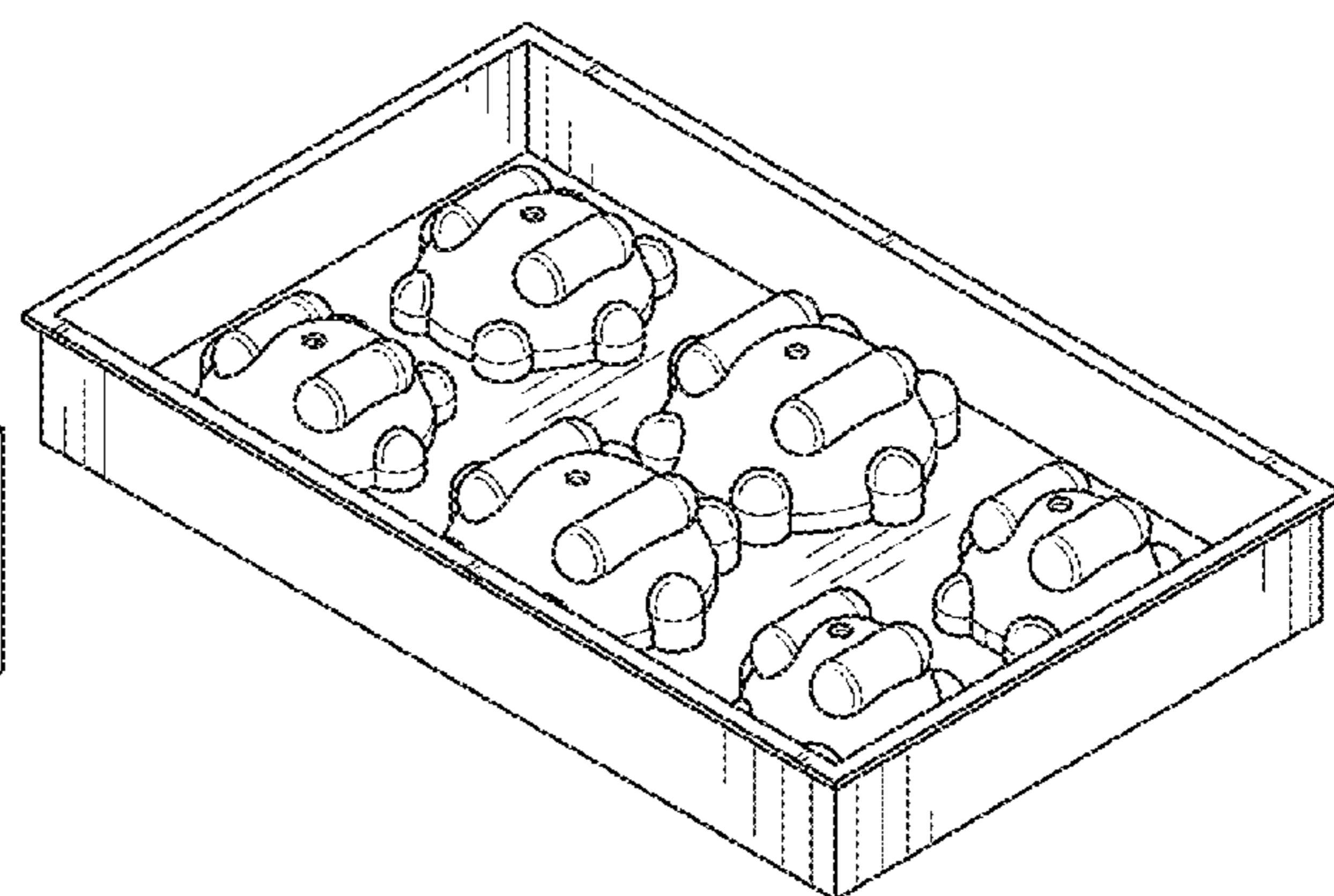
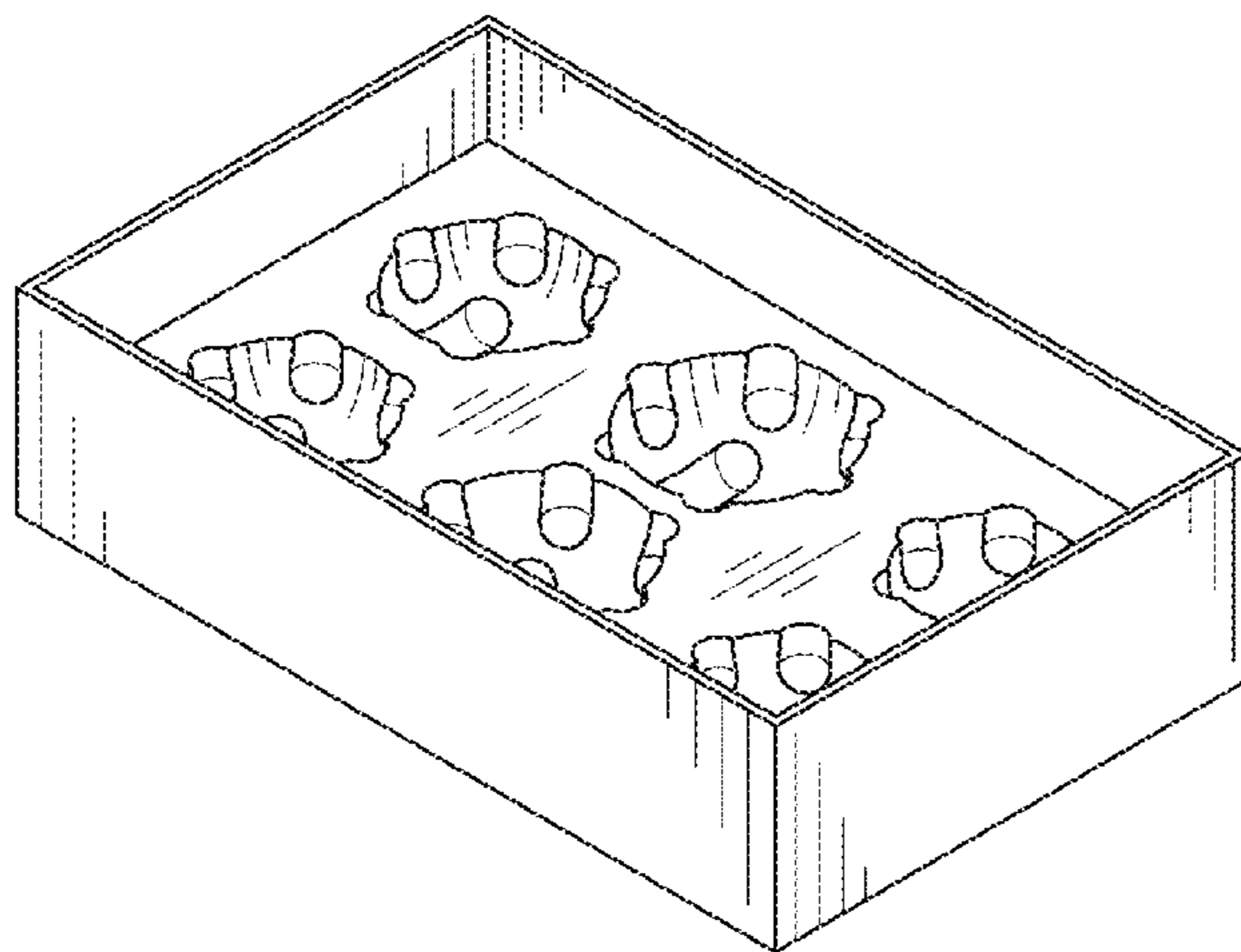
FIG. 13 is a rear view thereof;

FIG. 14 is a right-side view thereof;

FIG. 15 is a left-side view thereof; and,

FIG. 16 is a cross-sectional view of FIG. 10 along line 16-16.

1 Claim, 8 Drawing Sheets



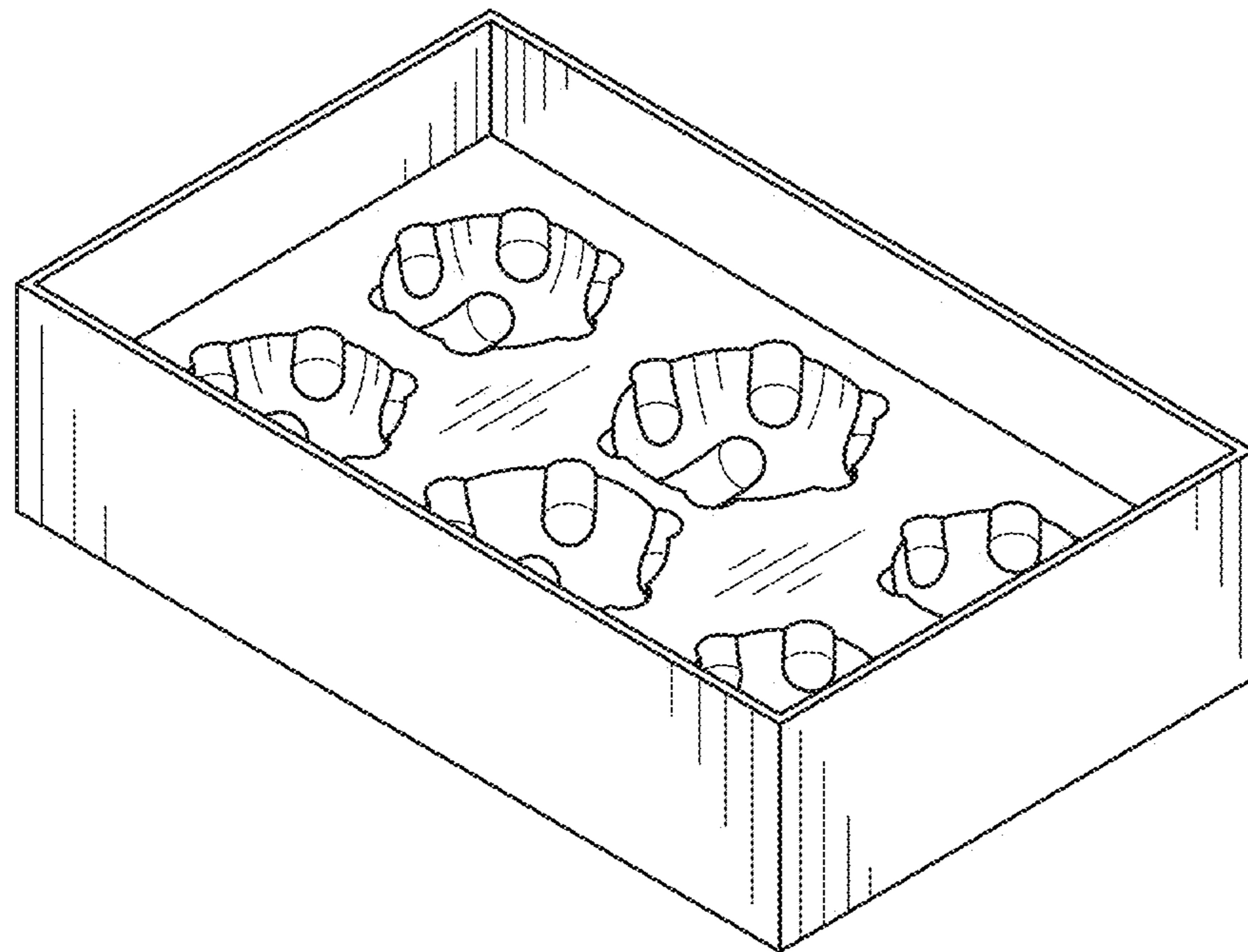


FIG. 1

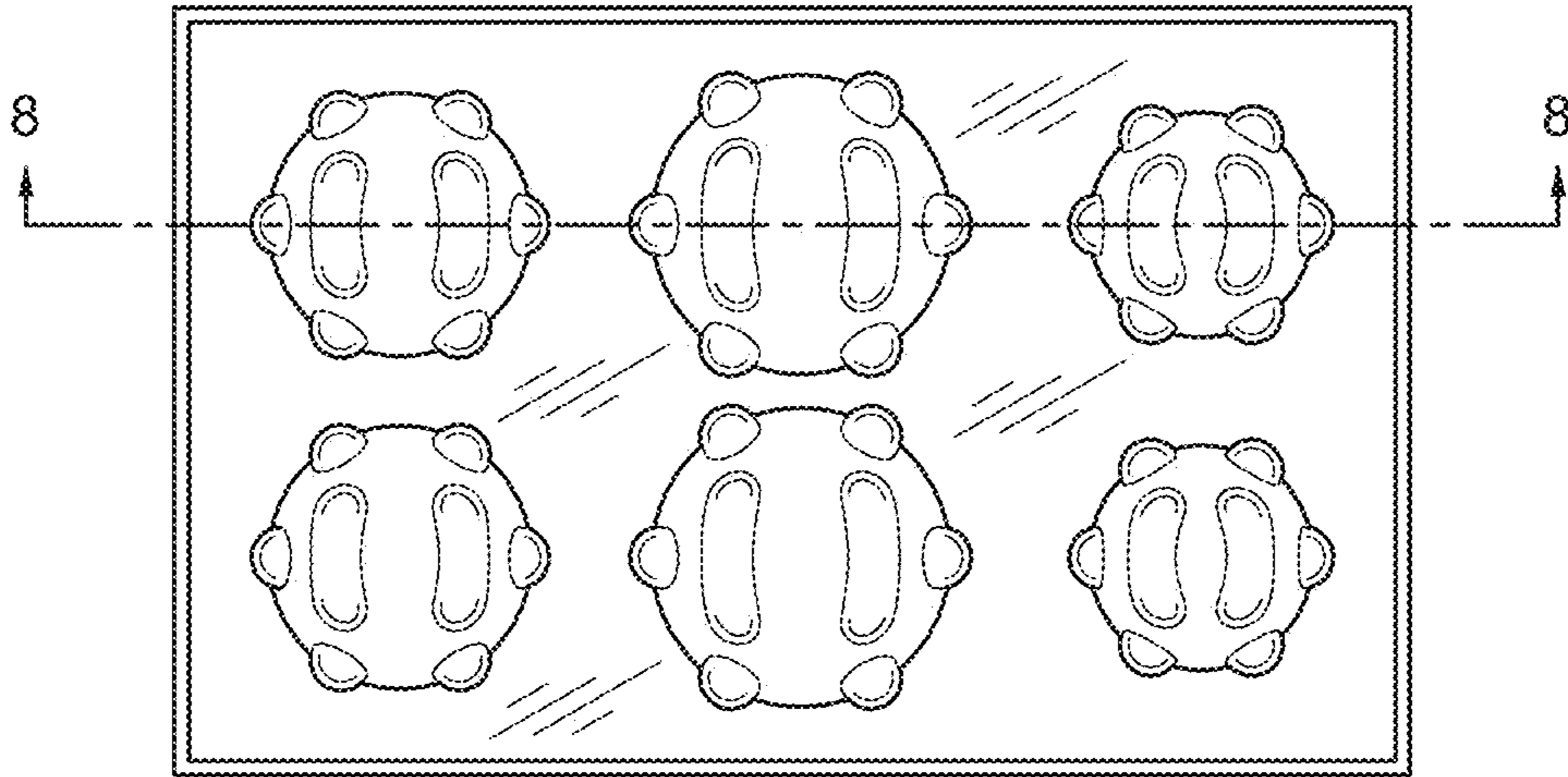


FIG. 2

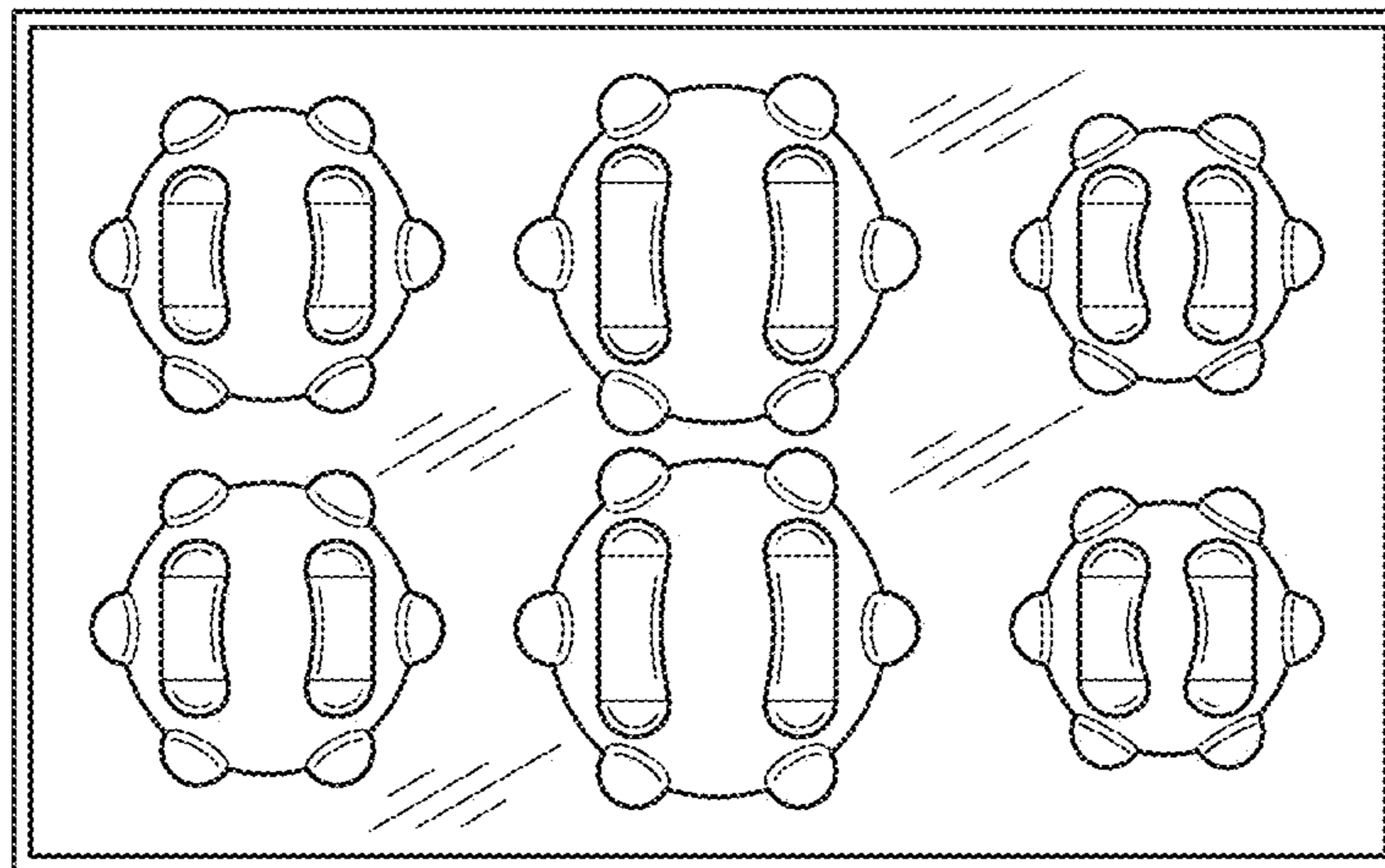


FIG. 3



FIG. 4



FIG. 5



FIG. 6



FIG. 7

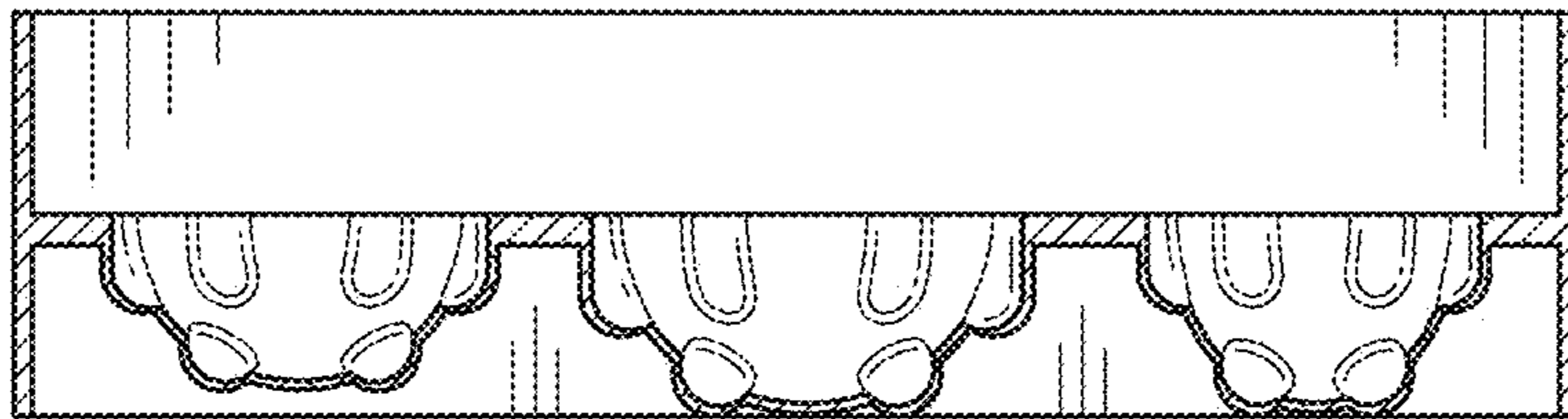


FIG. 8

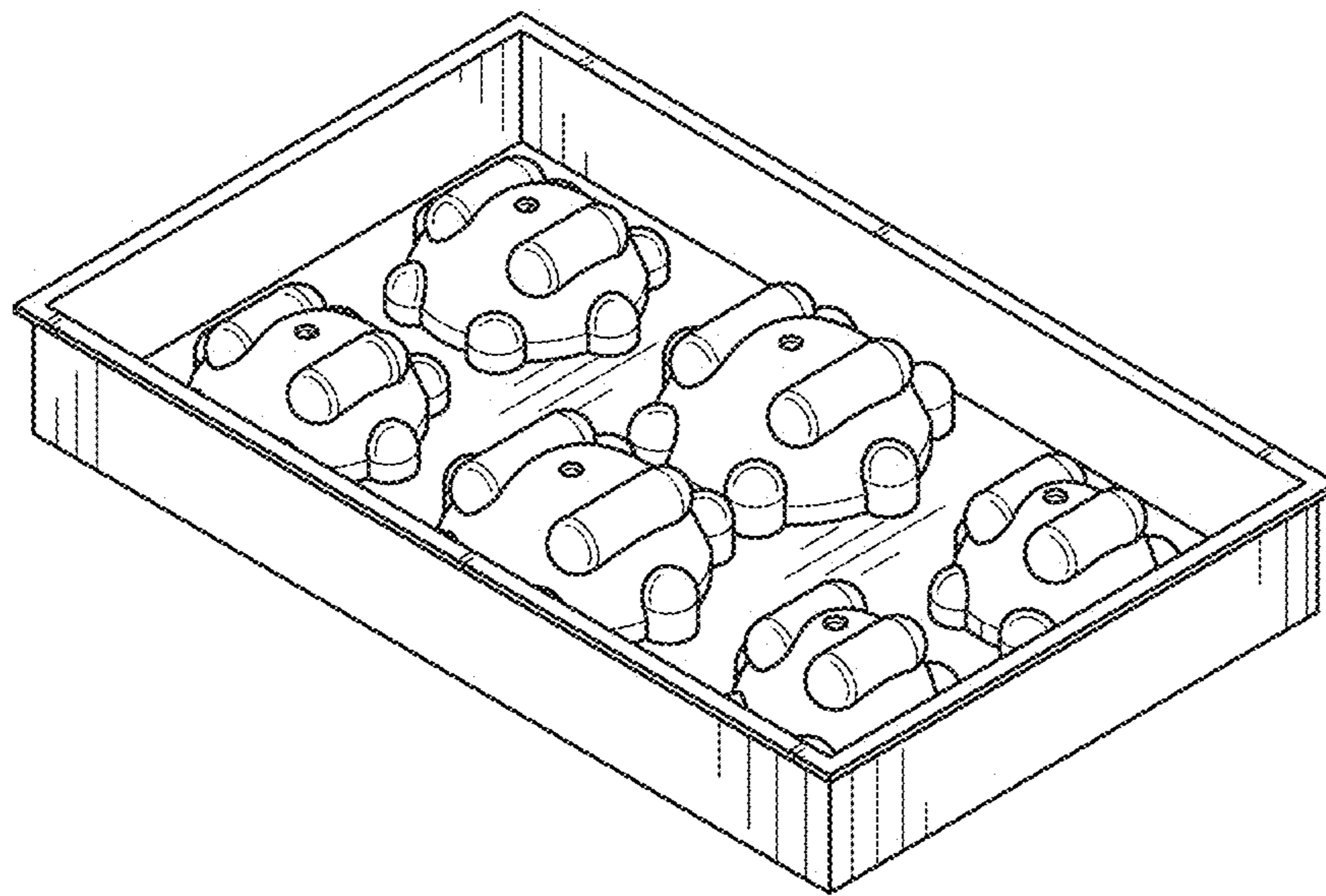


FIG. 9

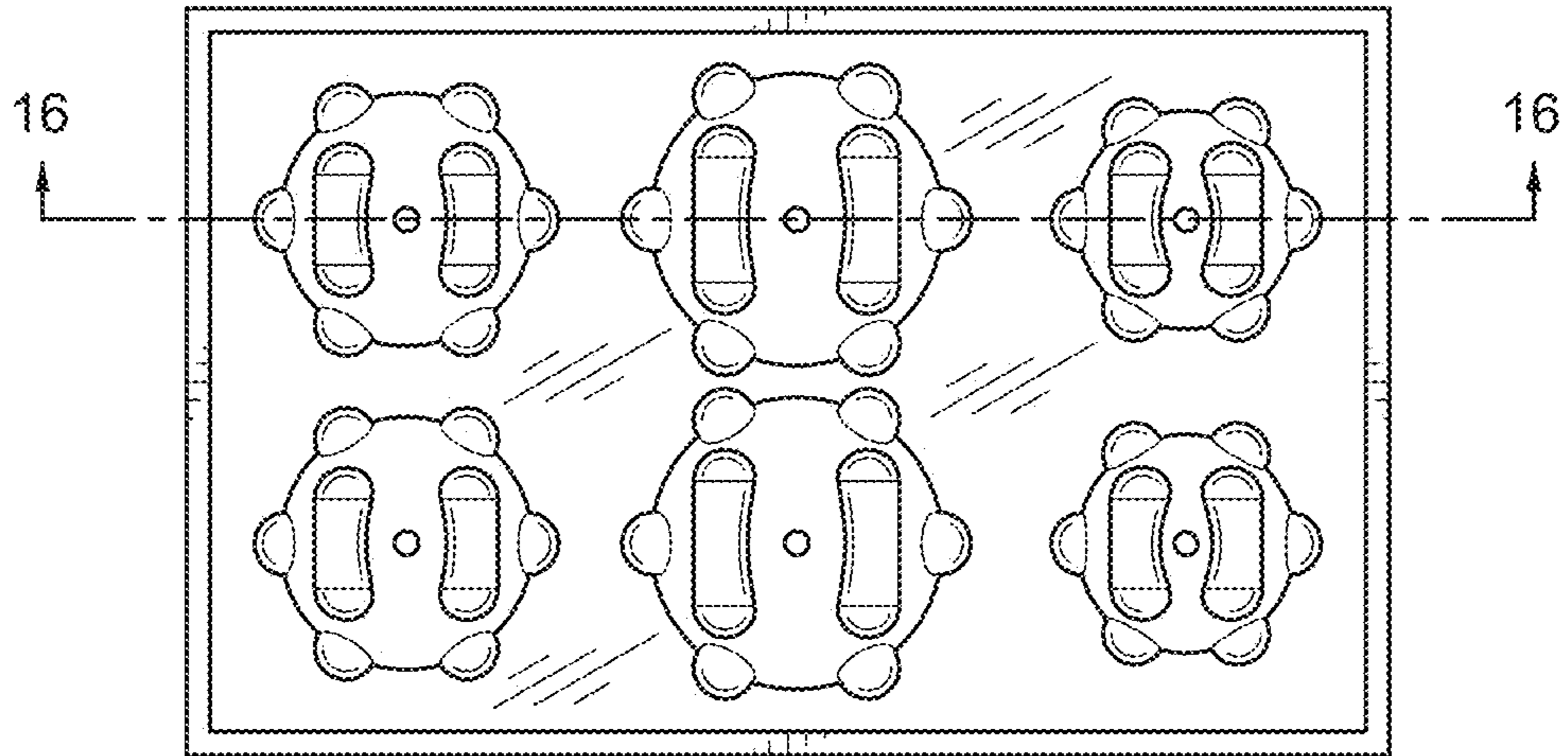


FIG. 10

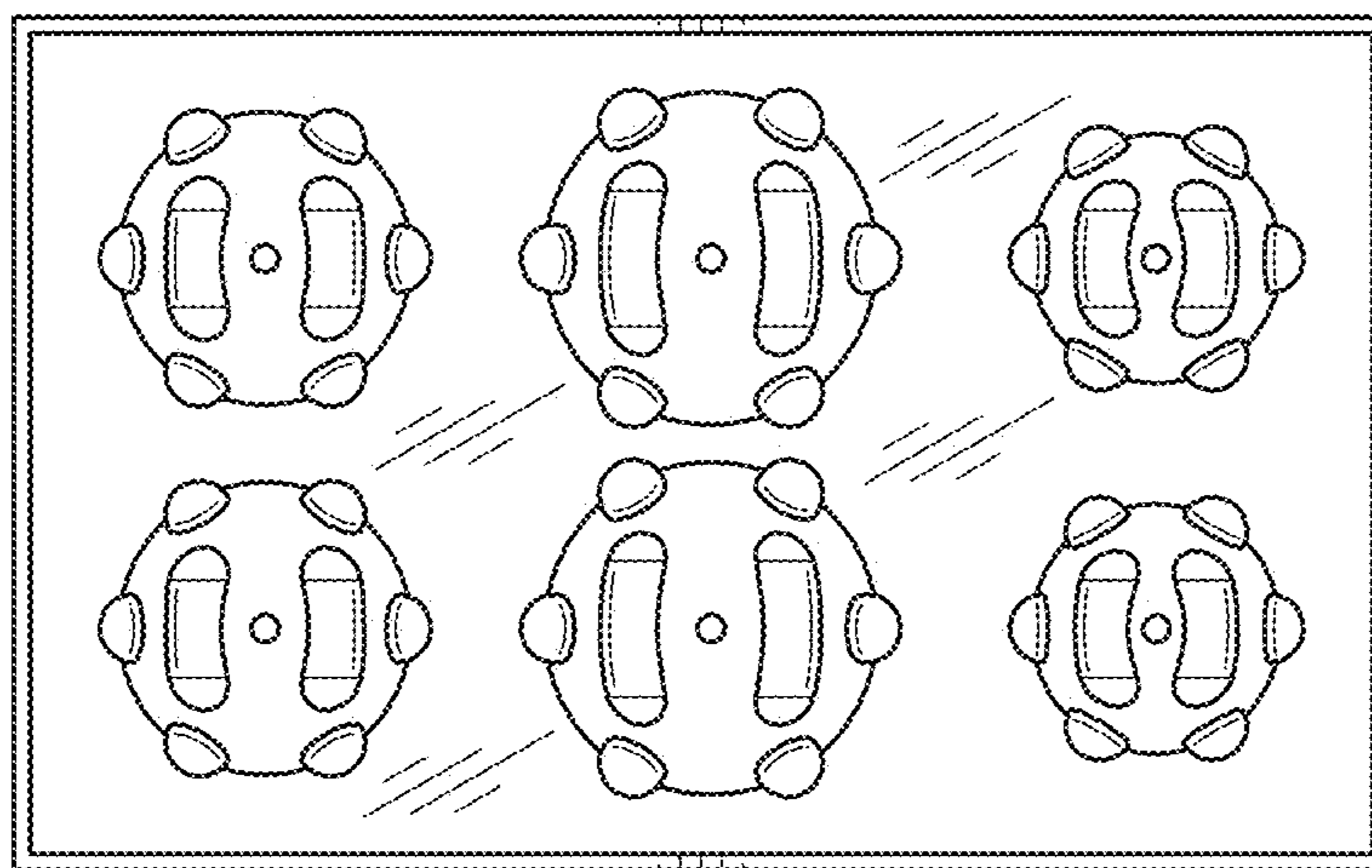


FIG. 11



FIG. 12



FIG. 13



FIG. 14



FIG. 15

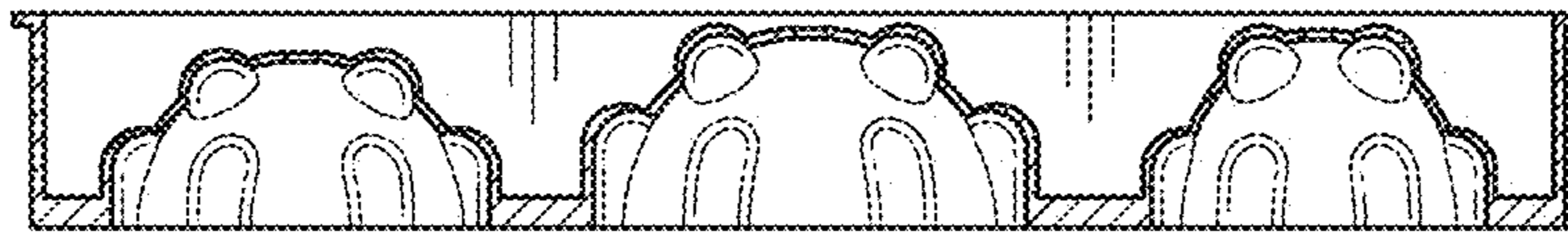


FIG. 16