



US00D940209S

(12) **United States Design Patent**
Kong

(10) **Patent No.:** **US D940,209 S**
(45) **Date of Patent:** **** Jan. 4, 2022**

(54) **MINI FRIDGE**

(71) Applicant: **SHANDONG XINGXIAN IMPORT AND EXPORT CO., LTD.**, Tai'an (CN)

(72) Inventor: **Lingchen Kong**, Tai'an (CN)

(73) Assignee: **SHANDONG XINGXIAN IMPORT AND EXPORT CO., LTD.**, Tai'an (CN)

(**) Term: **15 Years**

(21) Appl. No.: **29/769,420**

(22) Filed: **Feb. 5, 2021**

(51) **LOC (13) Cl.** **15-07**

(52) **U.S. Cl.**
USPC **D15/81**

(58) **Field of Classification Search**
USPC D15/79-91
CPC F25D 17/065; F25D 2317/061; F25D 2323/023; F25D 23/028; F25D 23/126; F25D 11/02; F25D 2201/126; F25D 2201/1262; F25D 2201/14; F25D 2323/021; F25D 23/02; F25D 23/025; F25D 23/04; F25D 23/062; F25D 23/064; F25D 23/065; F25D 23/067; F25D 2400/361; F25D 25/025; F25D 25/04; F25D 29/005; F25D 29/006; F25D 31/005; F25D 3/06

See application file for complete search history.

(56) **References Cited**

U.S. PATENT DOCUMENTS

D494,606 S * 8/2004 Krieger D15/81
D653,682 S * 2/2012 Herning D15/81
D674,412 S * 1/2013 Woolford D15/79

D800,799 S 10/2017 Feng
D807,929 S * 1/2018 Feng D15/81
D810,151 S * 2/2018 Wang D15/88
D813,574 S * 3/2018 Patton D6/671.1
D826,996 S * 8/2018 Feng D15/91
D867,407 S * 11/2019 Wang D15/79
D878,433 S * 3/2020 Bradley D15/91
D886,163 S * 6/2020 Yao D15/81
D896,856 S 9/2020 Zhou
D898,083 S * 10/2020 Yao D15/79
D919,678 S * 5/2021 Yang D15/81
D924,946 S * 7/2021 Xu D15/81
D927,562 S * 8/2021 Kong D15/81

* cited by examiner

Primary Examiner — Khawaja Anwar

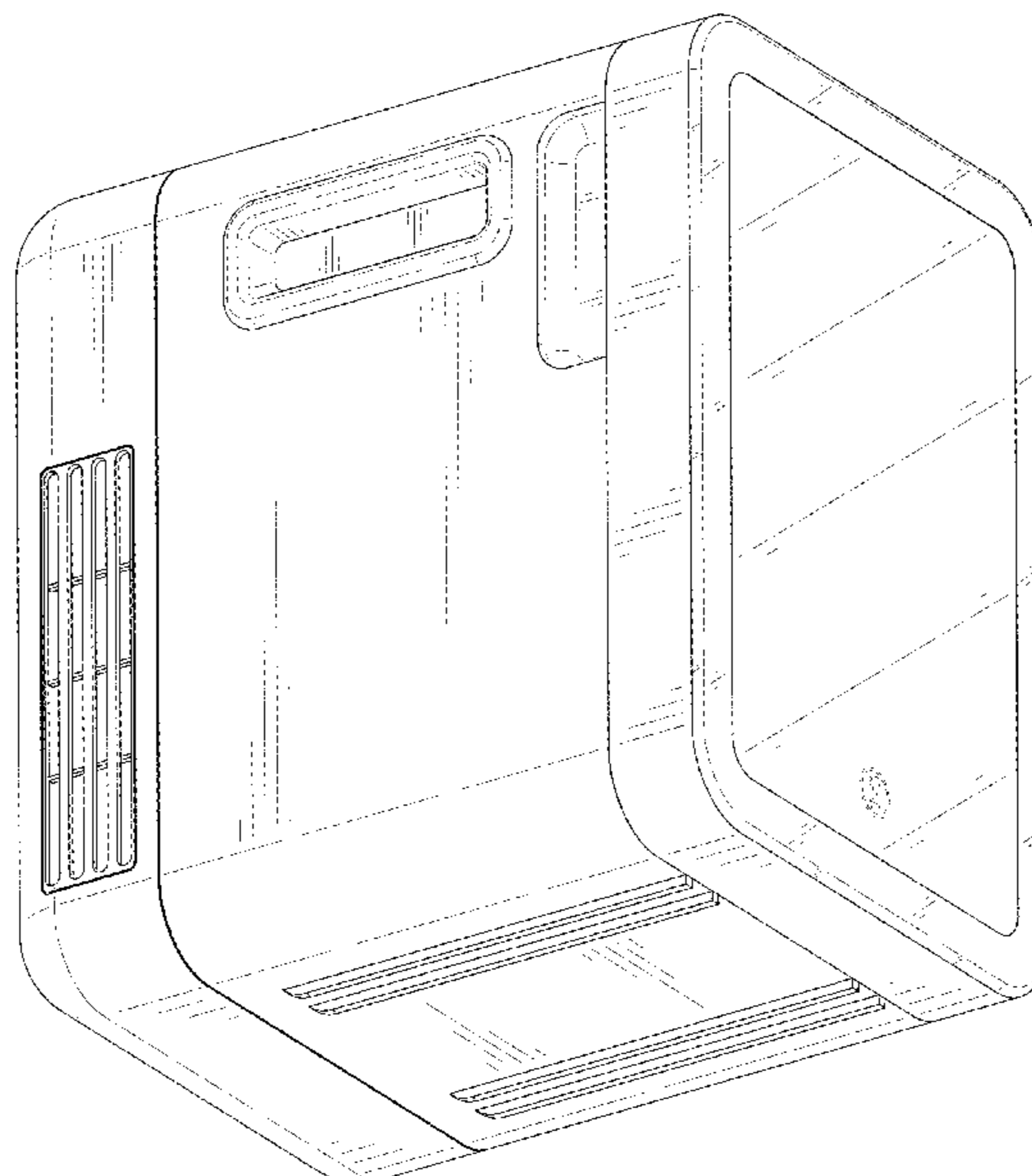
(57) **CLAIM**

The ornamental design for a mini fridge, as shown and described.

DESCRIPTION

FIG. 1 is a perspective view of a mini fridge showing my new design;
FIG. 2 is another perspective view thereof;
FIG. 3 is a front elevational view thereof;
FIG. 4 is a rear elevational view thereof;
FIG. 5 is a left side elevational view thereof;
FIG. 6 is a right side elevational view thereof;
FIG. 7 is a top plan view thereof;
FIG. 8 is a bottom plan view thereof;
FIG. 9 is a front elevational view of the mini refrigerator where a light ring disposed on a door of the mini refrigerator is in a configuration of us; and,
FIG. 10 is an enlarged view of portion 10 shown in FIG. 2. The broken lines in the drawings depict portions of the mini fridge that form no part of the claimed design. Dot-dashed broken lines depict light emitting from the light ring that form no part of the claimed design.

1 Claim, 10 Drawing Sheets



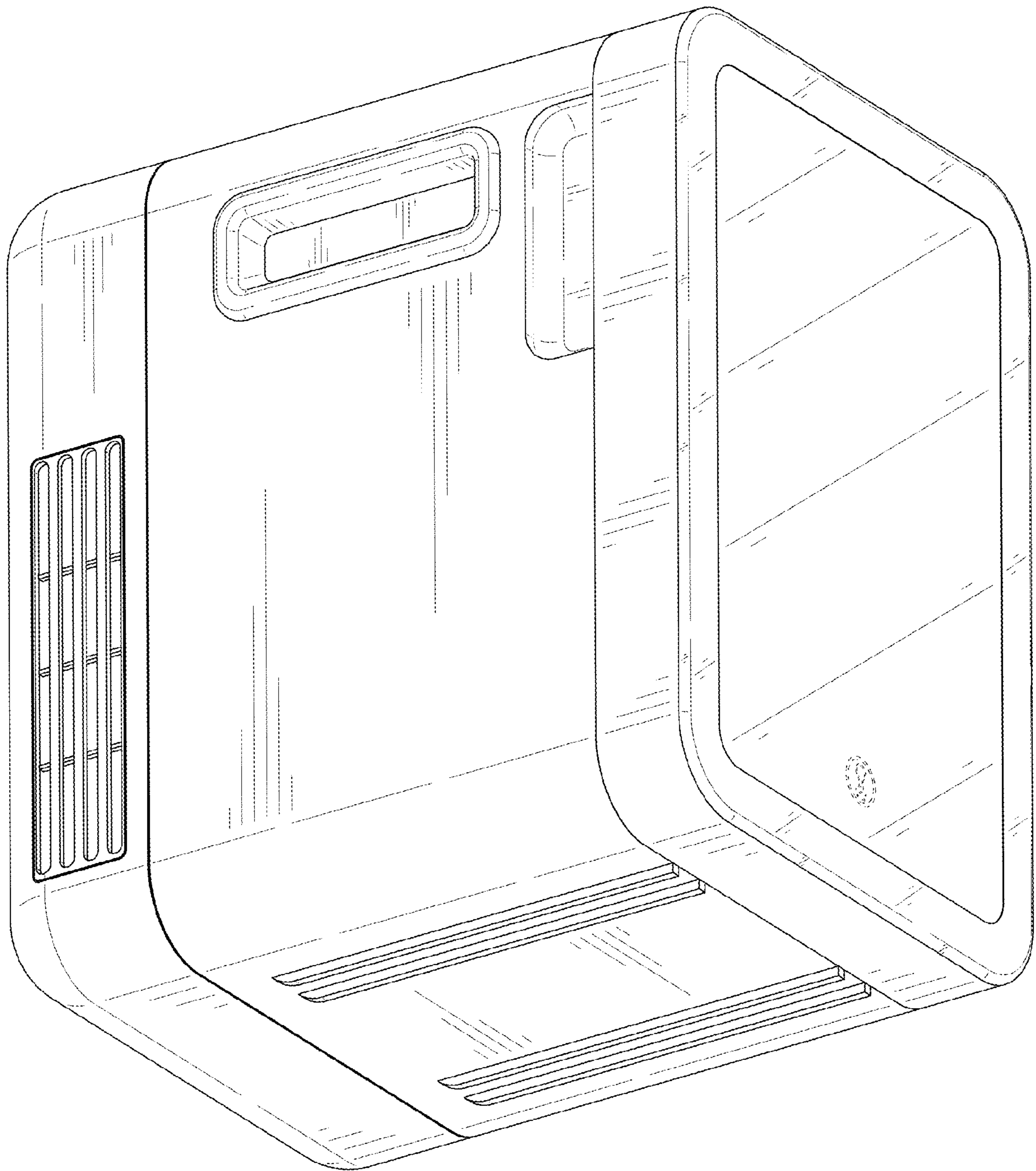


FIG. 1

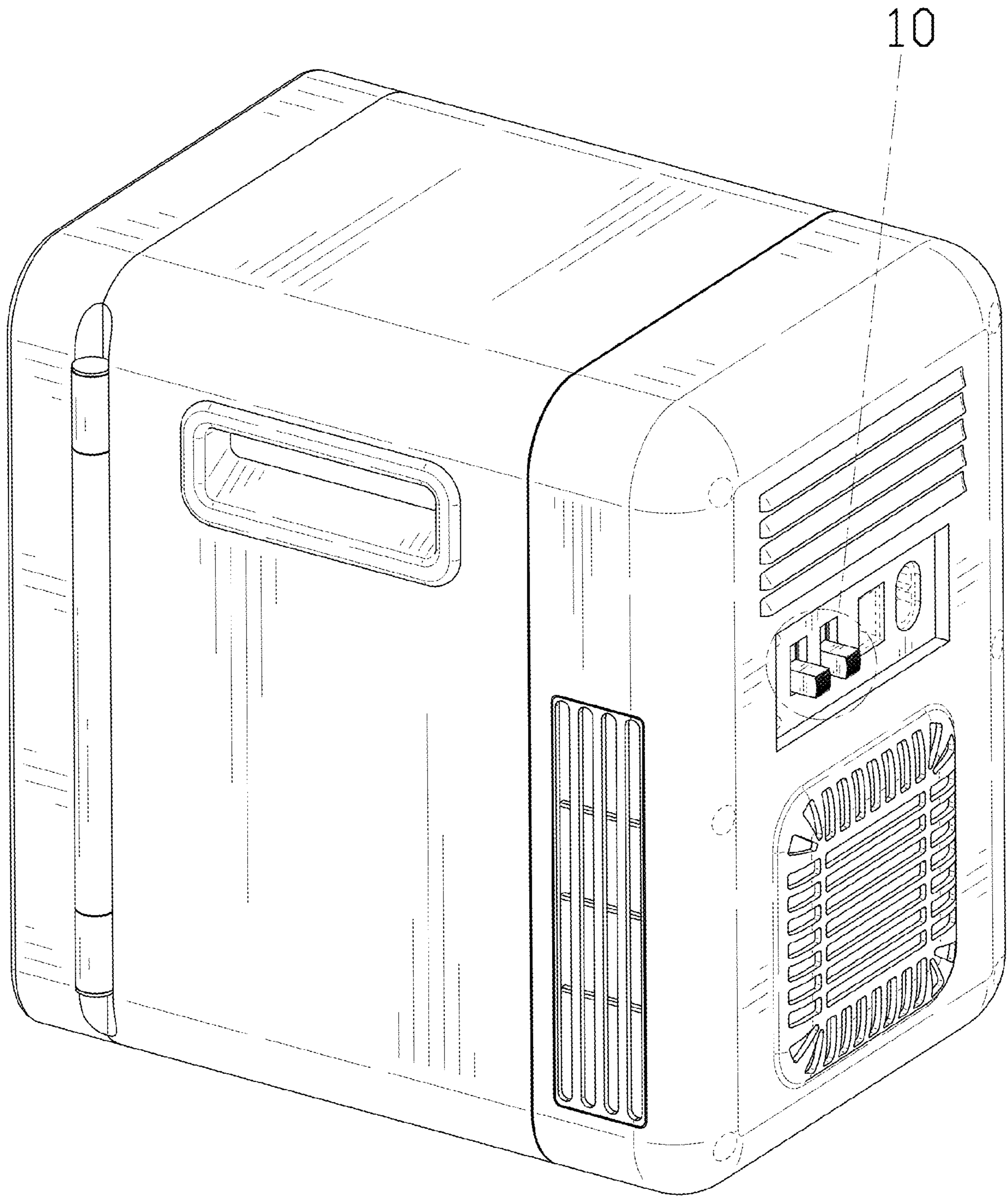


FIG. 2

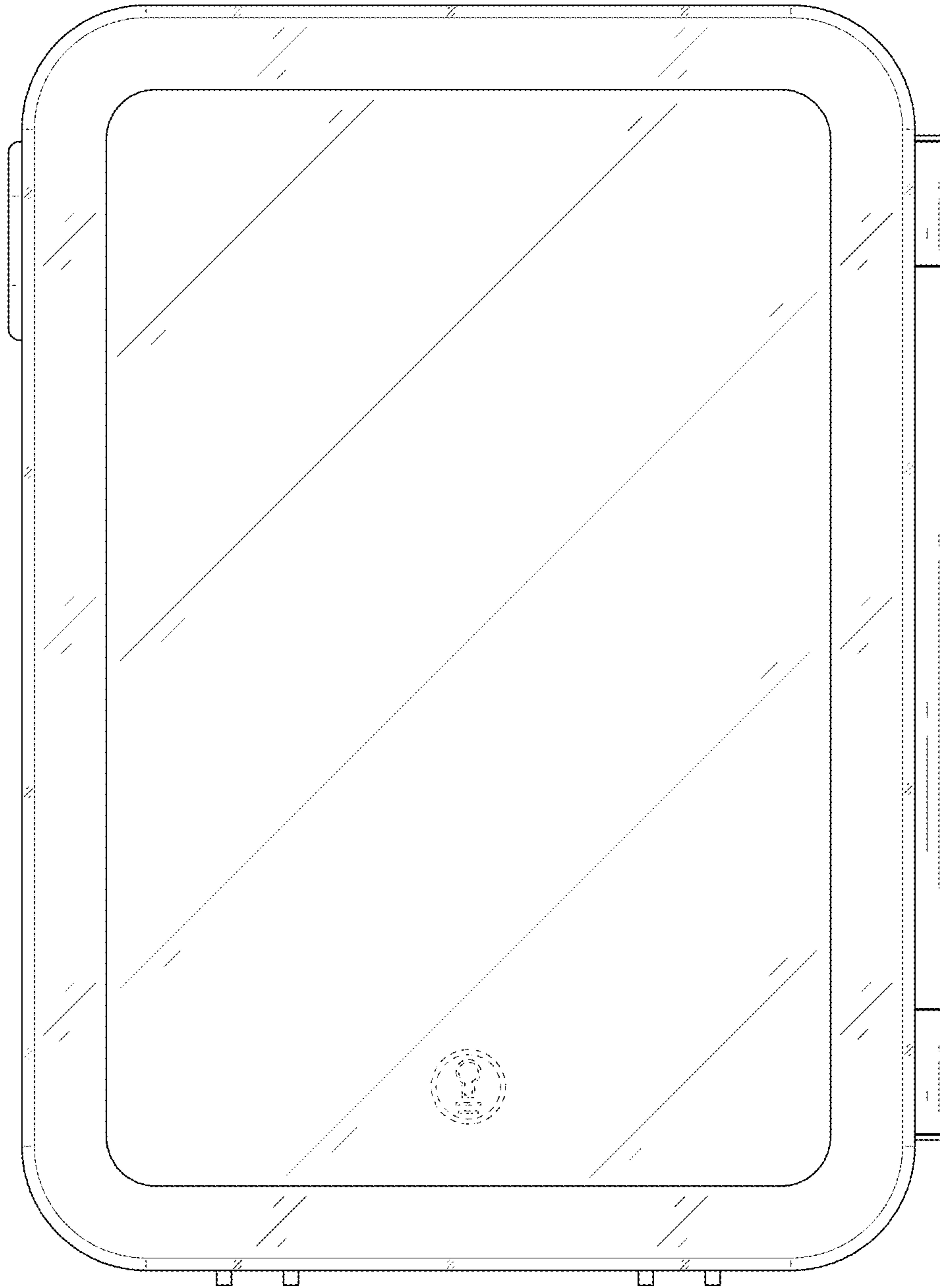


FIG. 3

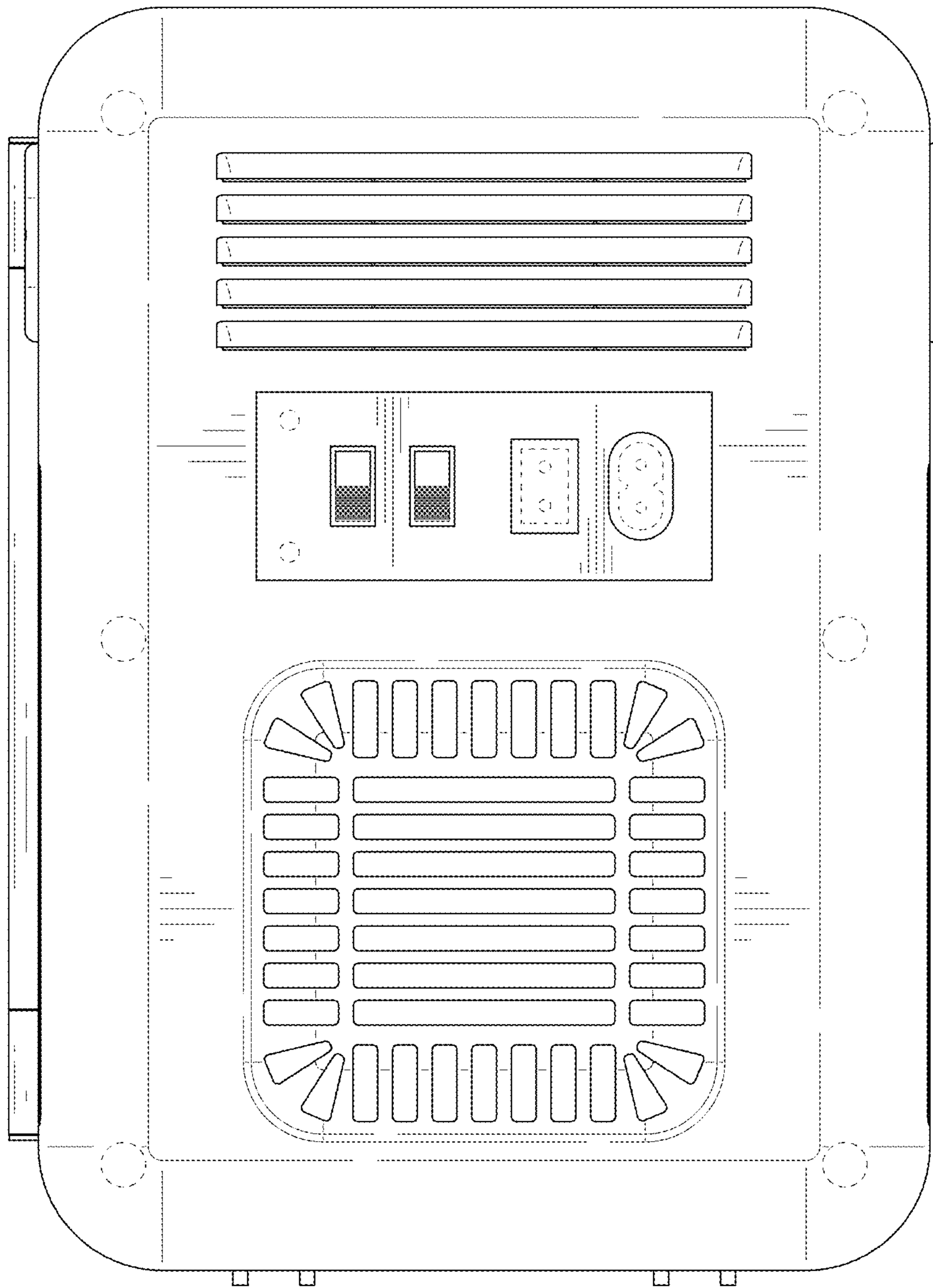


FIG. 4

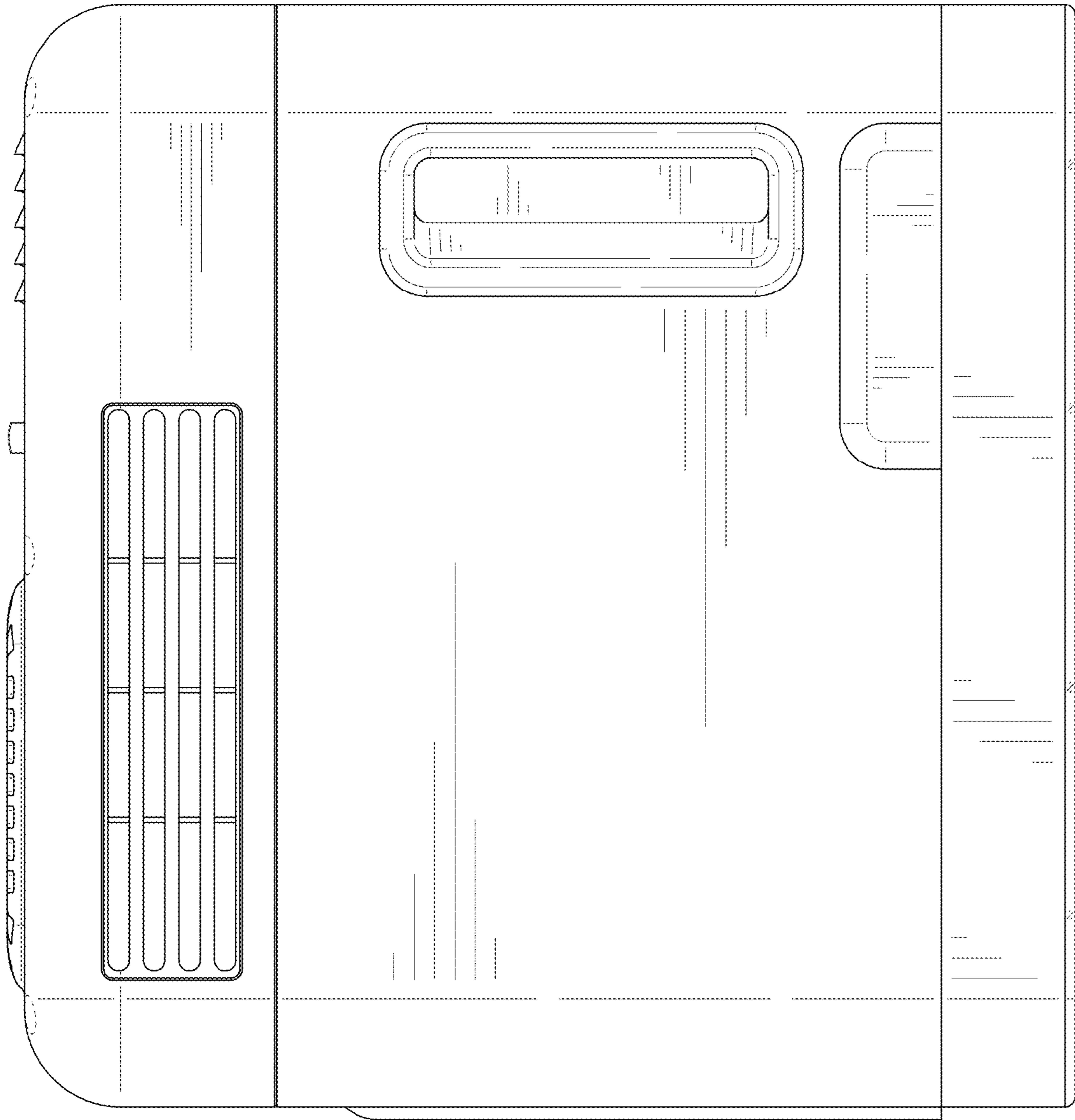


FIG. 5

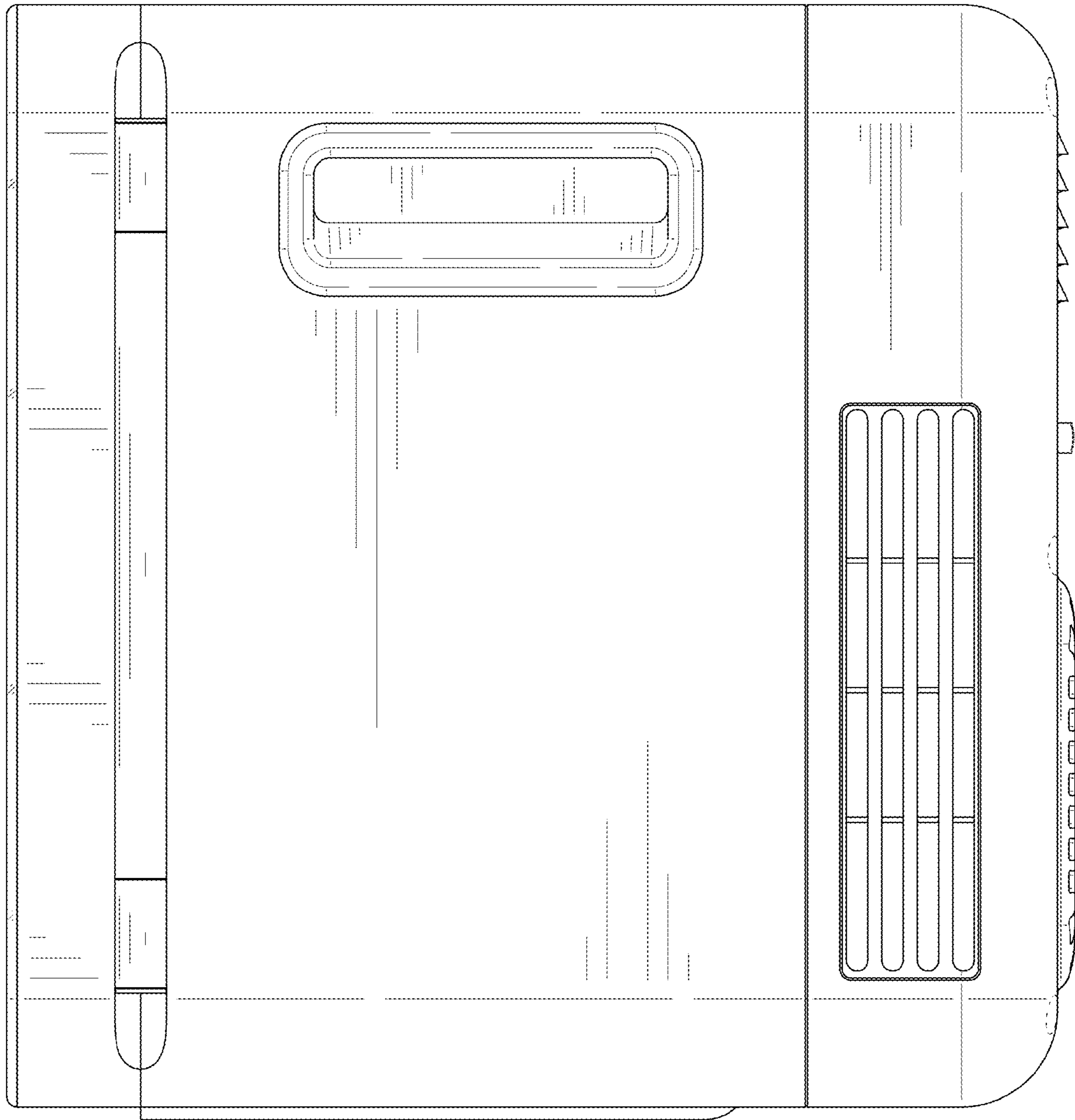


FIG. 6

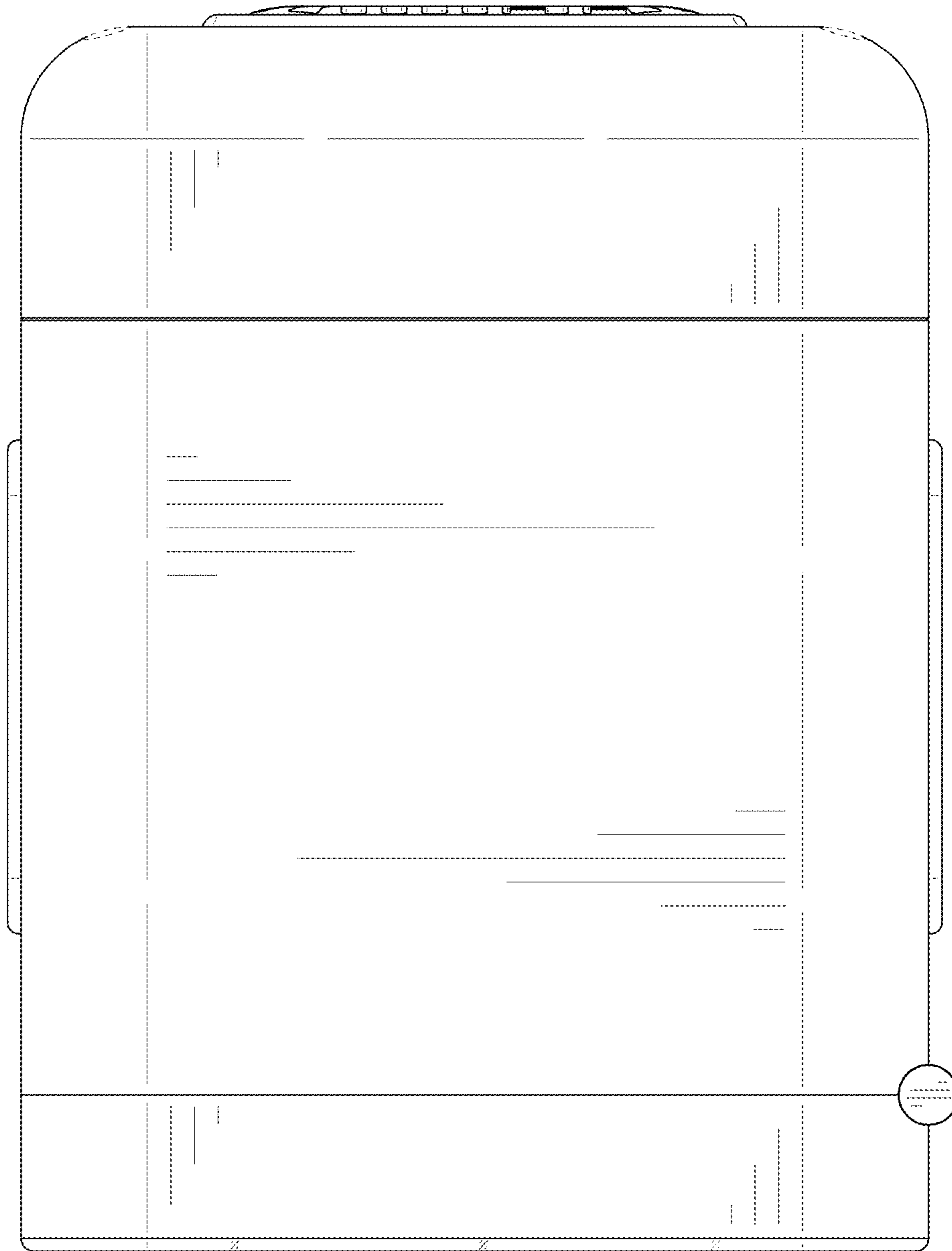


FIG. 7

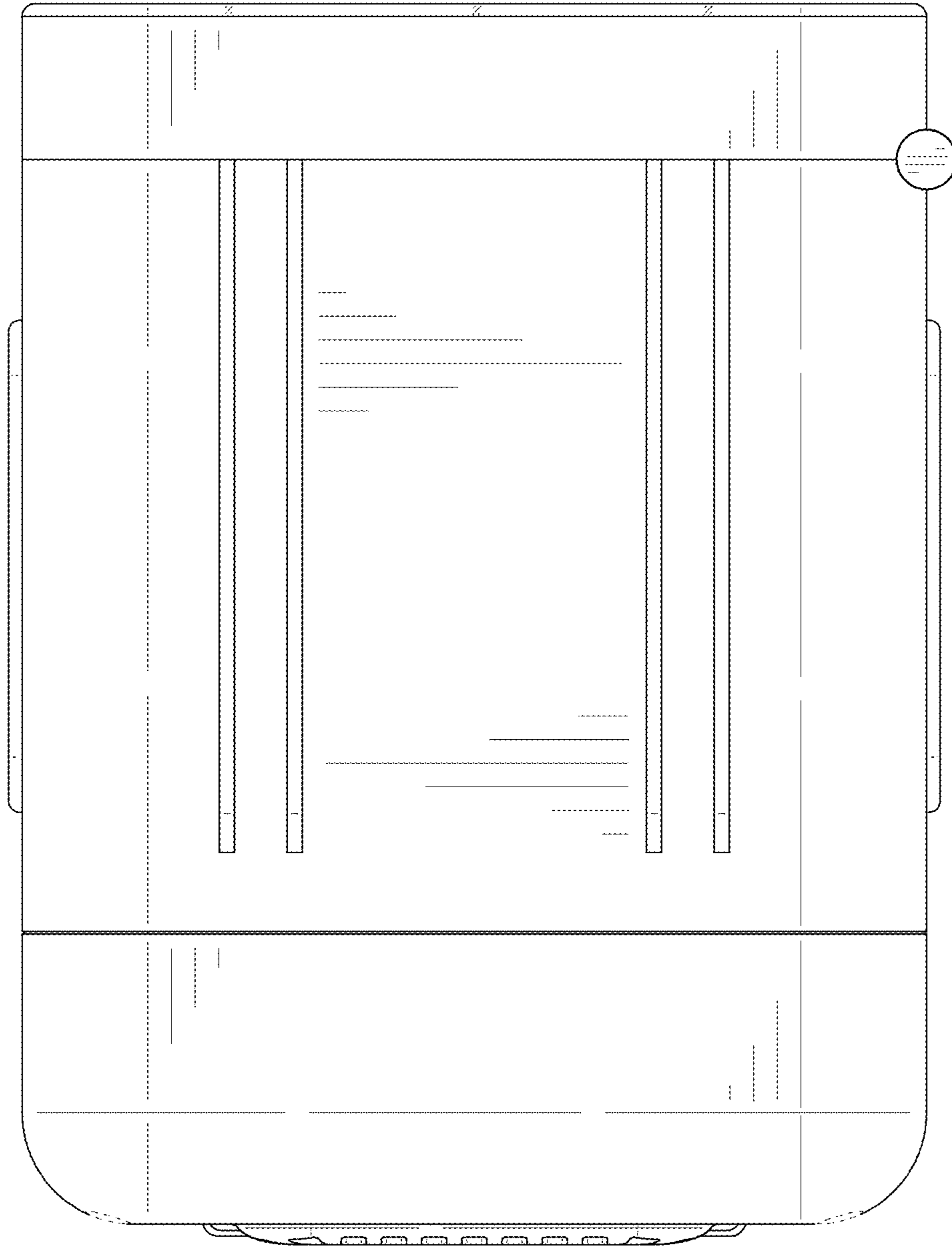


FIG. 8

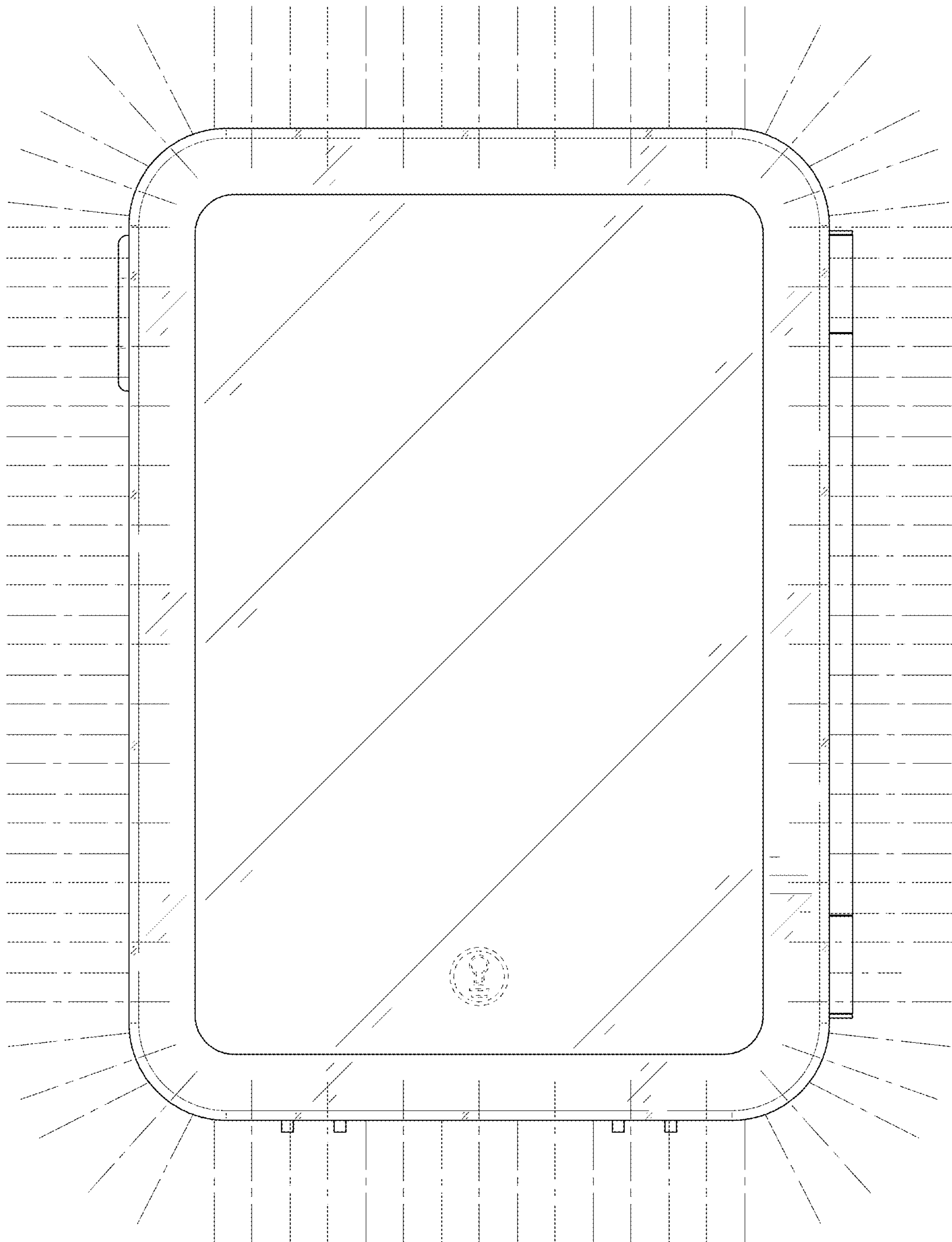


FIG. 9

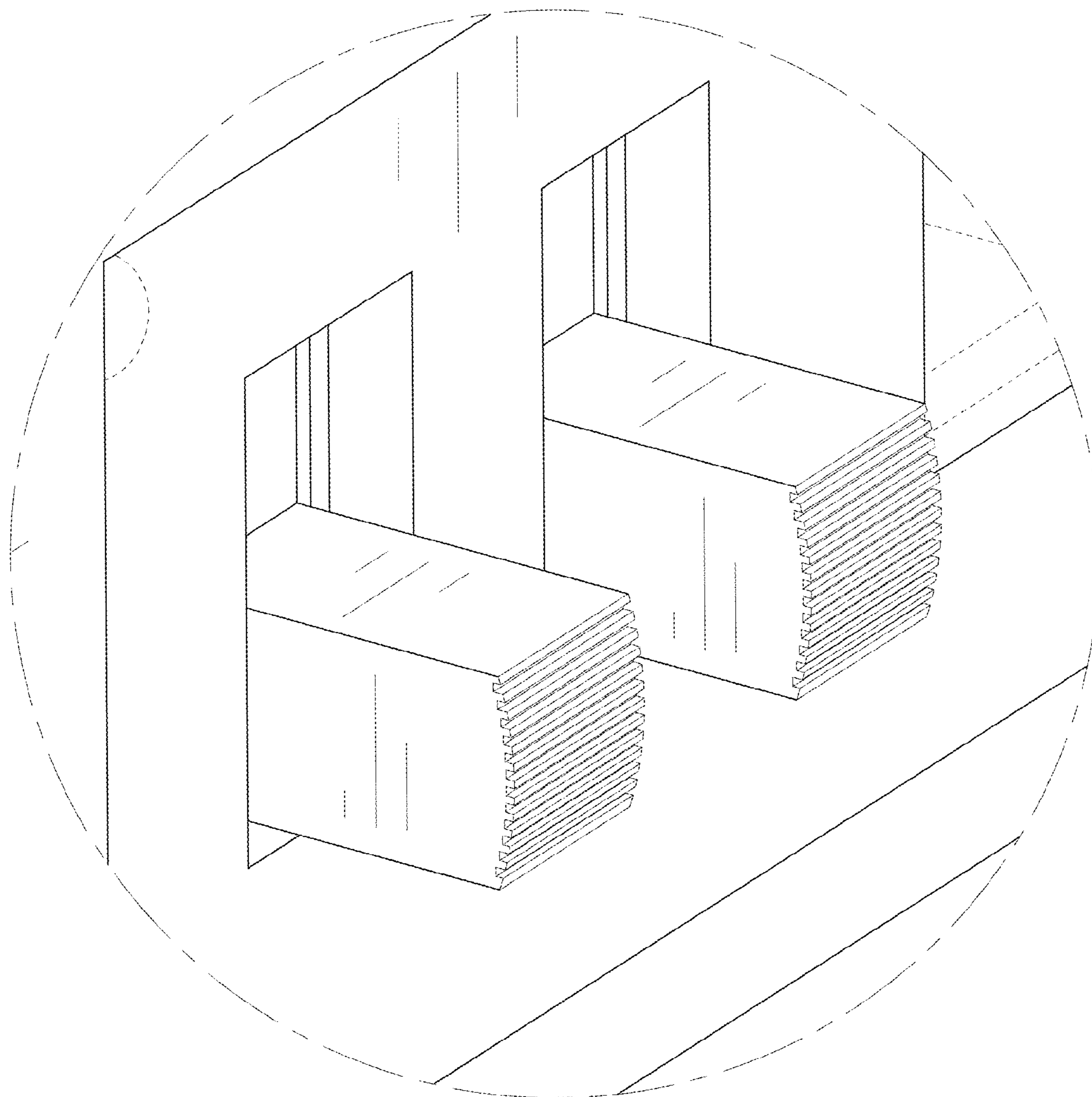


FIG. 10