

US00D940208S

(12) **United States Design Patent** (10) **Patent No.:** **US D940,208 S**  
**Ryan** (45) **Date of Patent:** **\*\* Jan. 4, 2022**

(54) **PLOW DIGGING BLADE**

(71) Applicant: **Ausplow Pty. Ltd.**, Cockburn Central (AU)

(72) Inventor: **John W. Ryan**, Jandakot (AU)

(73) Assignee: **AUSPLOW PTY. LTD.**, Cockburn Central (AU)

(\*\*) Term: **15 Years**

(21) Appl. No.: **29/713,279**

(22) Filed: **Nov. 14, 2019**

(30) **Foreign Application Priority Data**

May 15, 2019 (AU) ..... 201912656

(51) **LOC (13) Cl.** ..... **15-03**

(52) **U.S. Cl.**  
USPC ..... **D15/29**; D15/27

(58) **Field of Classification Search**  
USPC ..... D15/27, 28, 29  
CPC .. A01C 5/062; A01C 5/06; A01C 5/00; A01B 35/20; A01B 35/24; A01B 15/02; A01B 15/025; A01B 15/00; A01B 23/02; A01B 49/06

See application file for complete search history.

4,530,406 A \* 7/1985 Hake ..... A01B 61/046  
172/705

5,562,054 A \* 10/1996 Ryan ..... A01C 7/203  
111/134

6,564,728 B2 \* 5/2003 Ryan ..... A01B 61/046  
111/123

7,588,091 B1 \* 9/2009 Neudorf ..... A01C 5/062  
172/773

8,596,374 B2 \* 12/2013 Kile ..... A01B 61/046  
172/389

8,684,103 B2 \* 4/2014 Henry ..... A01C 5/062  
172/724

D753,193 S \* 4/2016 Jasper ..... D15/29

2011/0315057 A1 \* 12/2011 Memory ..... A01C 7/06  
111/152

2011/0315058 A1 \* 12/2011 Memory ..... A01C 5/062  
111/152

2015/0075826 A1 \* 3/2015 Ryan ..... A01C 15/00  
172/762

2018/0116092 A1 \* 5/2018 Seifried ..... A01B 49/06

2018/0317370 A1 \* 11/2018 Kovach ..... A01B 15/20

\* cited by examiner

*Primary Examiner* — Mark A Goodwin  
 (74) *Attorney, Agent, or Firm* — Wiggin and Dana LLP;  
 Gregory S. Rosenblatt; Rikesh P. Patel

(57) **CLAIM**

The ornamental design for a plow digging blade, as shown and described.

**DESCRIPTION**

FIG. 1 is a first perspective view of a new design for a plow digging blade;  
 FIG. 2 is a second perspective view thereof;  
 FIG. 3 is a front view thereof;  
 FIG. 4 is a top plan view thereof;  
 FIG. 5 is a first side view thereof;  
 FIG. 6 is a second side view thereof;  
 FIG. 7 is a rear view thereof; and,  
 FIG. 8 is a bottom plan view thereof.

**1 Claim, 8 Drawing Sheets**

(56) **References Cited**

U.S. PATENT DOCUMENTS

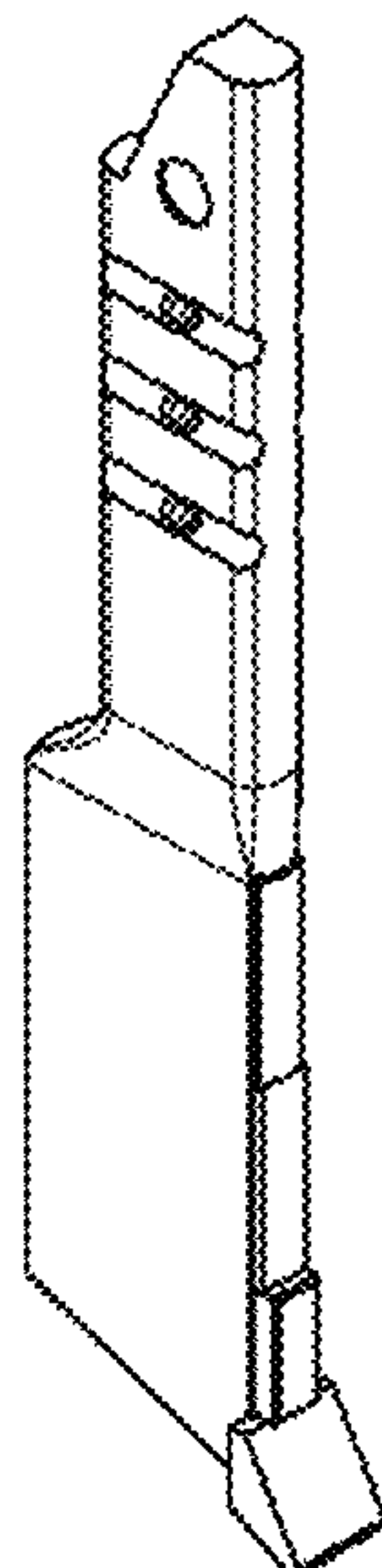
2,227,670 A \* 1/1941 Peterson ..... A01B 15/025  
172/699

3,108,643 A \* 10/1963 Williams ..... A01B 35/24  
172/265

3,762,483 A \* 10/1973 Meiners ..... A01B 35/14  
172/700

4,185,699 A \* 1/1980 Lewison ..... A01B 35/20  
172/705

D262,028 S \* 11/1981 Johnson ..... D15/29



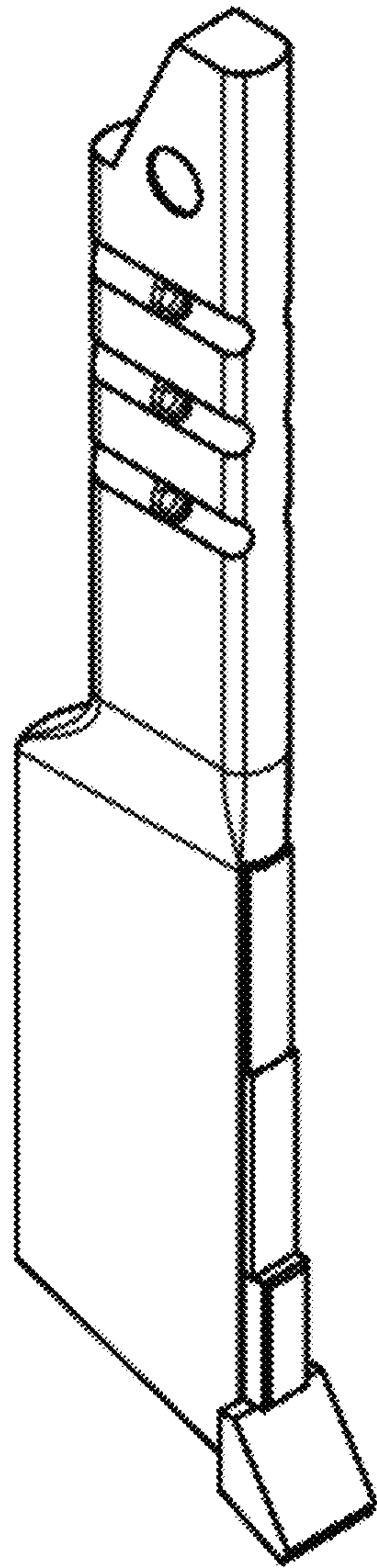


FIG. 1

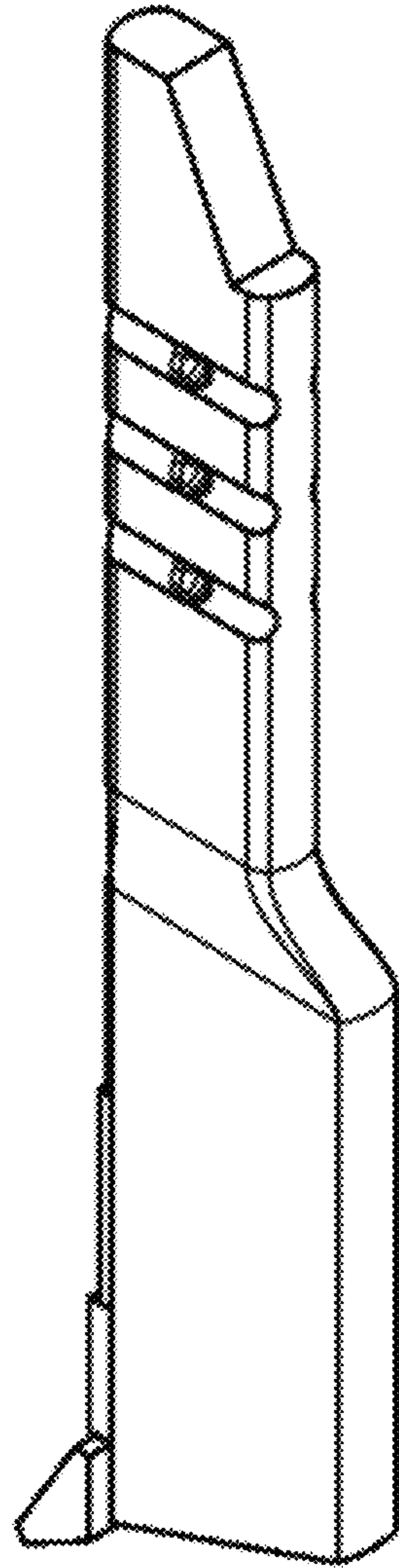


FIG. 2

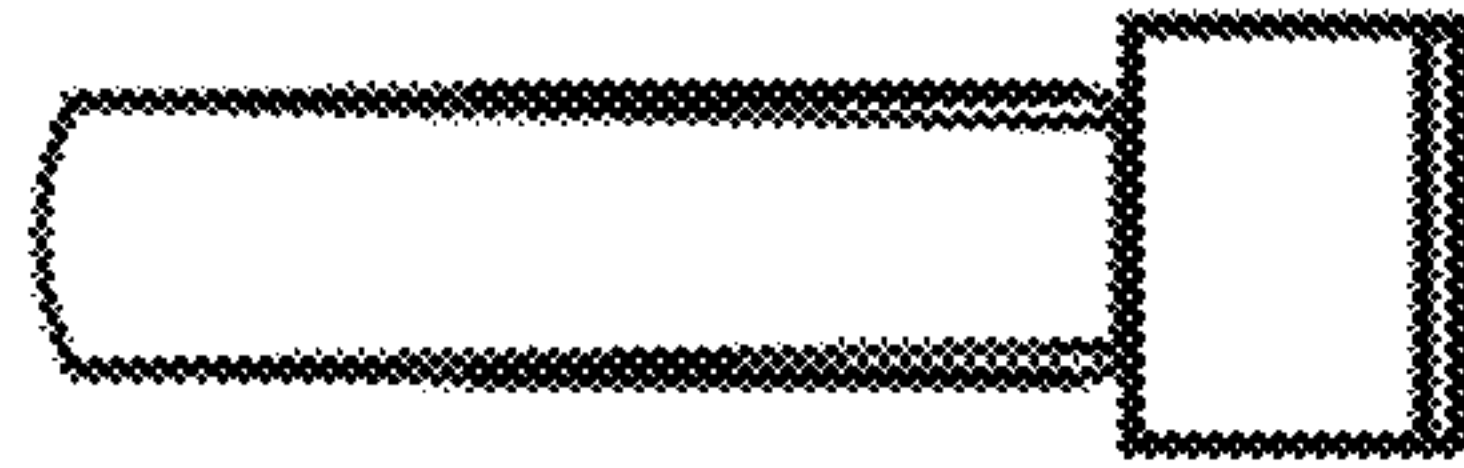


FIG. 3

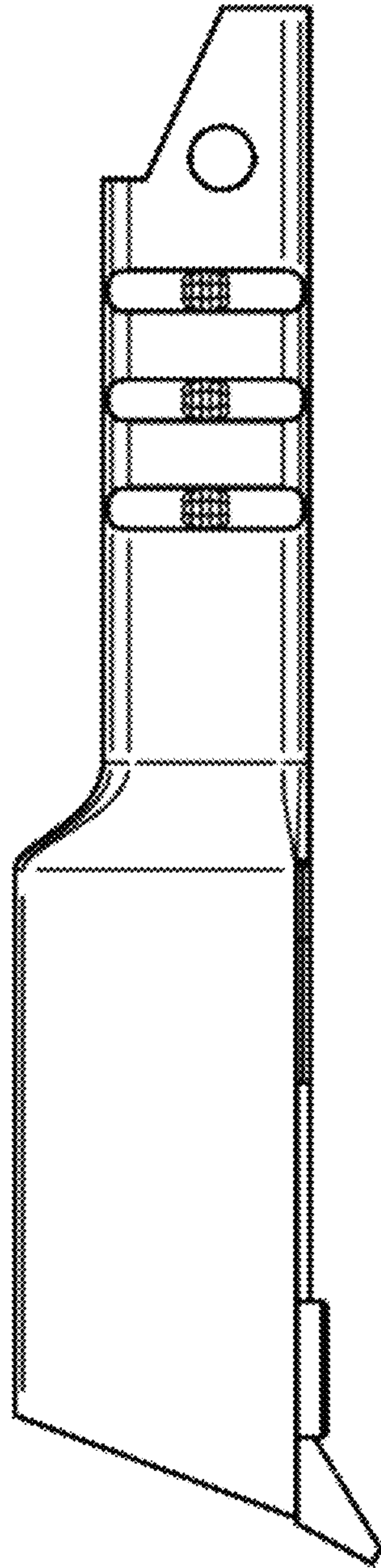


FIG. 4

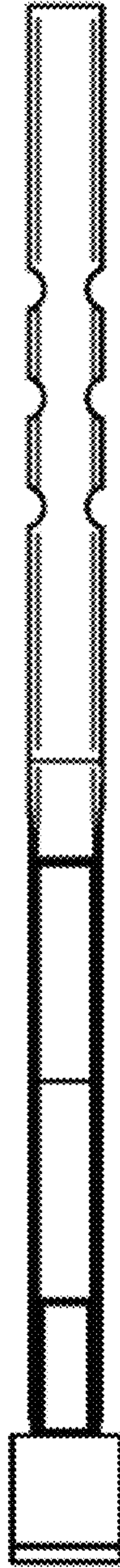


FIG. 5

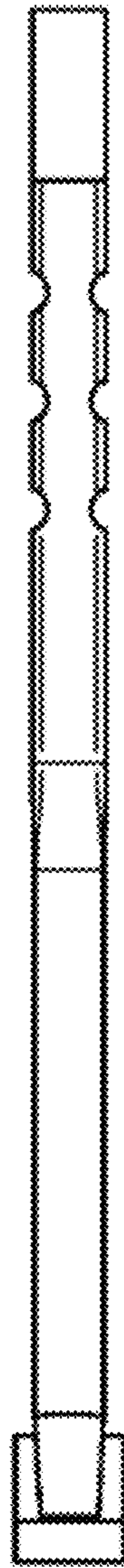


FIG. 6

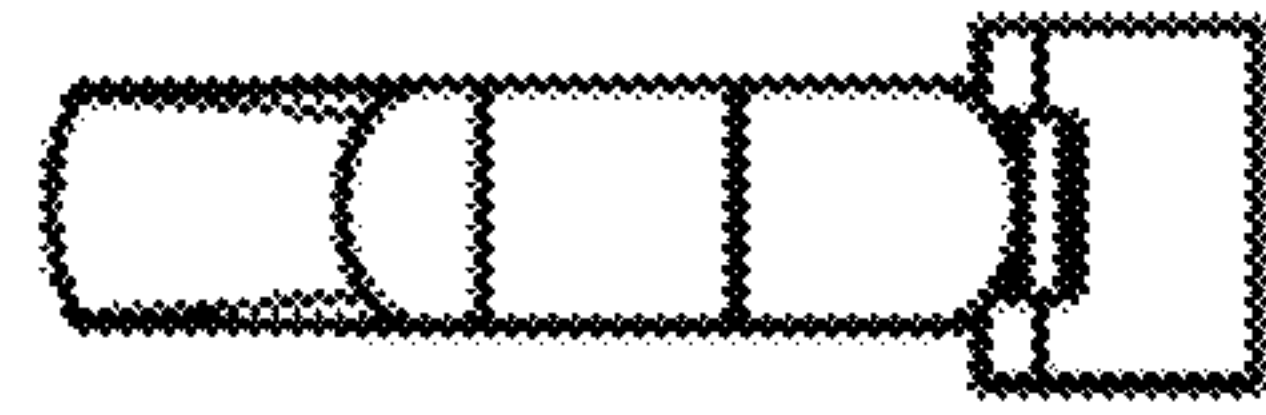


FIG. 7



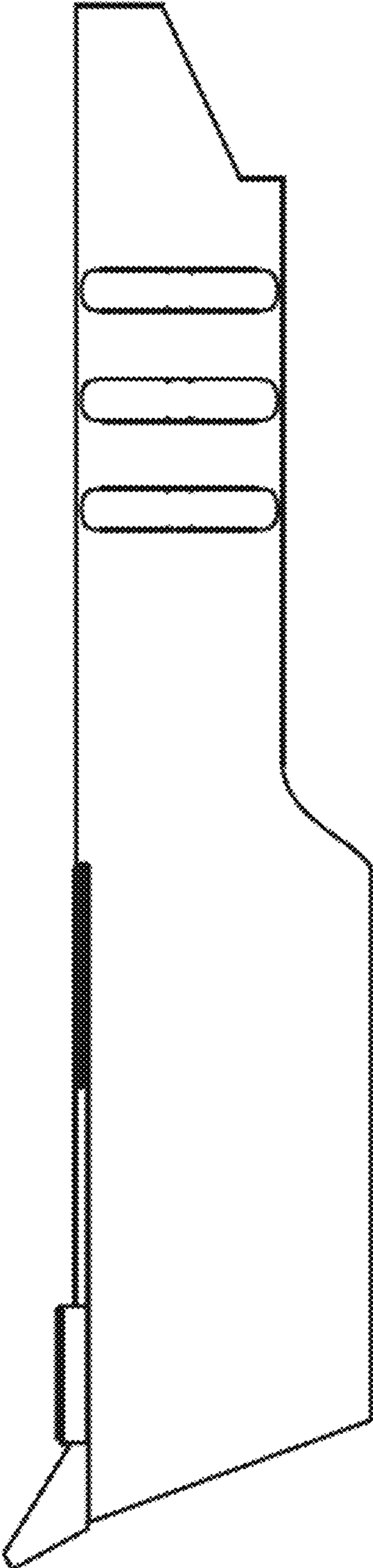


FIG. 8