



US00D940207S

(12) **United States Design Patent**  
**Kirk et al.**

(10) **Patent No.:** **US D940,207 S**  
(45) **Date of Patent:** **\*\* Jan. 4, 2022**

(54) **NOSE FOR A SHOE SUITABLE FOR USE IN AN OIL AND GAS WELLBORE**

(71) Applicant: **Vulcan Completion Products UK Limited, Aberdeen (GB)**

(72) Inventors: **Andrew Kirk, Westhill (GB); Nathan Kirk, Westhill (GB); Ian Kirk, Westhill (GB)**

(73) Assignee: **VULCAN COMPLETION PRODUCTS UK LIMITED, Aberdeen (GB)**

(\*\*) Term: **15 Years**

(21) Appl. No.: **29/689,827**

(22) Filed: **May 2, 2019**

(30) **Foreign Application Priority Data**

Nov. 2, 2018 (EM) ..... 005816048-0001

(51) **LOC (13) Cl.** ..... **15-03**

(52) **U.S. Cl.**  
USPC ..... **D15/21**

(58) **Field of Classification Search**  
USPC ..... D15/21, 28; 17/57; 175/402, 57; 166/376, 242.8  
CPC ..... E21B 17/14; E21B 17/1064; E21B 17/22; E21B 17/046; E21B 34/06; E21B 33/14  
See application file for complete search history.

(56) **References Cited**

**U.S. PATENT DOCUMENTS**

3,266,577 A \* 8/1966 Turner ..... E21B 17/14  
166/222  
4,696,354 A \* 9/1987 King ..... E21B 10/602  
175/393

5,551,522 A \* 9/1996 Keith ..... E21B 10/55  
175/420.2  
6,039,127 A \* 3/2000 Myers ..... E21B 10/38  
175/425  
6,401,820 B1 \* 6/2002 Kirk ..... E21B 17/1064  
166/242.8  
6,659,173 B2 \* 12/2003 Kirk ..... E21B 17/1064  
166/242.8  
7,066,253 B2 \* 6/2006 Baker ..... E21B 17/14  
166/242.8  
7,395,882 B2 \* 7/2008 Oldham ..... E21B 7/20  
166/242.8

(Continued)

*Primary Examiner* — Mark A Goodwin

(74) *Attorney, Agent, or Firm* — Carlson, Gaskey & Olds, P.C.

(57) **CLAIM**

The ornamental design for a nose for a shoe suitable for use in an oil and gas wellbore, as shown and described.

**DESCRIPTION**

FIG. 1 is front view of a nose for a shoe suitable for use in an oil and gas wellbore showing our new design.

FIG. 2 is left side view of a nose for a shoe suitable for use in an oil and gas wellbore.

FIG. 3 is right side view of a nose for a shoe suitable for use in an oil and gas wellbore.

FIG. 4 is top view of a nose for a shoe suitable for use in an oil and gas wellbore.

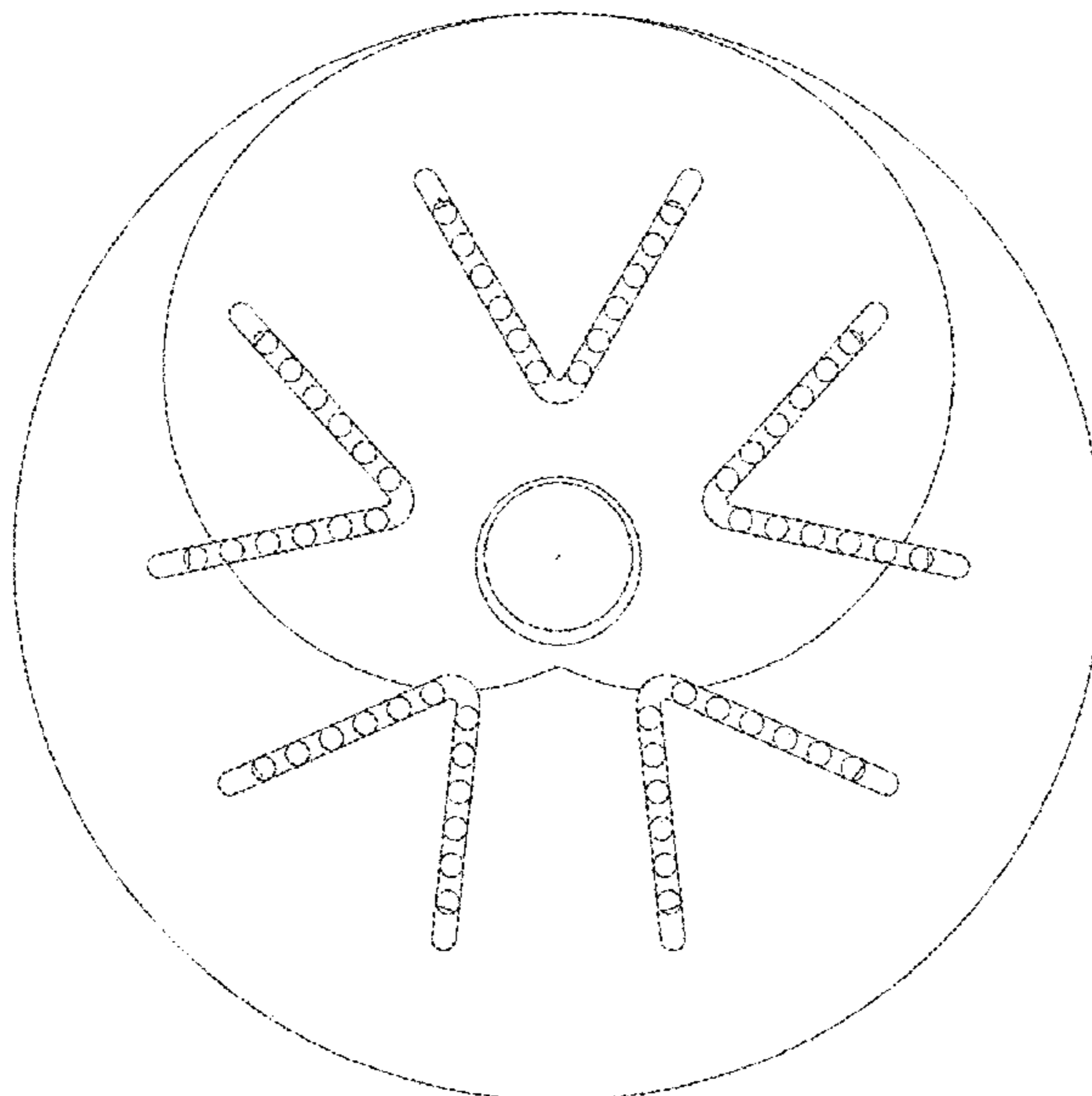
FIG. 5 is bottom view of a nose for a shoe suitable for use in an oil and gas wellbore.

FIG. 6 is rear view of a nose for a shoe suitable for use in an oil and gas wellbore; and,

FIG. 7 is perspective view of a nose for a shoe suitable for use in an oil and gas wellbore.

The broken lines are included for the purpose of illustrating portions of the nose for a shoe suitable for use in an oil and gas wellbore and form no part of the claimed design.

**1 Claim, 7 Drawing Sheets**



(56)

**References Cited**

U.S. PATENT DOCUMENTS

|                   |         |          |       |              |         |                   |         |            |       |              |         |
|-------------------|---------|----------|-------|--------------|---------|-------------------|---------|------------|-------|--------------|---------|
| 8,561,729 B2 *    | 10/2013 | King     | ..... | E21B 17/14   | 175/398 | 2010/0051349 A1 * | 3/2010  | Ballard    | ..... | E21B 10/26   | 175/57  |
| 8,657,036 B2 *    | 2/2014  | Barron   | ..... | E21B 17/14   | 175/57  | 2010/0166592 A1 * | 7/2010  | Uno        | ..... | B22F 3/26    | 419/9   |
| 9,702,197 B2 *    | 7/2017  | Mitchell | ..... | E21B 17/20   |         | 2010/0282519 A1 * | 11/2010 | Zhang      | ..... | B23P 6/00    | 175/434 |
| D892,868 S *      | 8/2020  | Bradford | ..... | D15/21       |         | 2010/0307837 A1 * | 12/2010 | King       | ..... | E21B 7/20    | 175/344 |
| 10,760,355 B2 *   | 9/2020  | Farley   | ..... | E21B 21/10   |         | 2011/0061941 A1 * | 3/2011  | Twardowski | ..... | E21B 10/64   | 175/393 |
| 2002/0096368 A1 * | 7/2002  | Kirk     | ..... | E21B 17/1064 | 175/385 | 2011/0209922 A1 * | 9/2011  | King       | ..... | C22C 26/00   | 175/402 |
| 2007/0193782 A1 * | 8/2007  | Fang     | ..... | C09K 3/1418  | 175/374 | 2011/0308813 A1 * | 12/2011 | Barron     | ..... | E21B 17/14   | 166/376 |
| 2007/0261890 A1 * | 11/2007 | Cisneros | ..... | E21B 10/43   | 175/331 | 2018/0148980 A1 * | 5/2018  | Nkwocha    | ..... | E21B 10/60   |         |
| 2008/0149398 A1 * | 6/2008  | Azar     | ..... | E21B 10/55   | 175/406 | 2018/0179864 A1 * | 6/2018  | Mitchell   | ..... | E21B 41/0078 |         |
| 2009/0120693 A1 * | 5/2009  | McClain  | ..... | E21B 10/64   | 175/413 | 2019/0145187 A1 * | 5/2019  | Steine     | ..... | E21B 10/26   | 166/380 |

\* cited by examiner

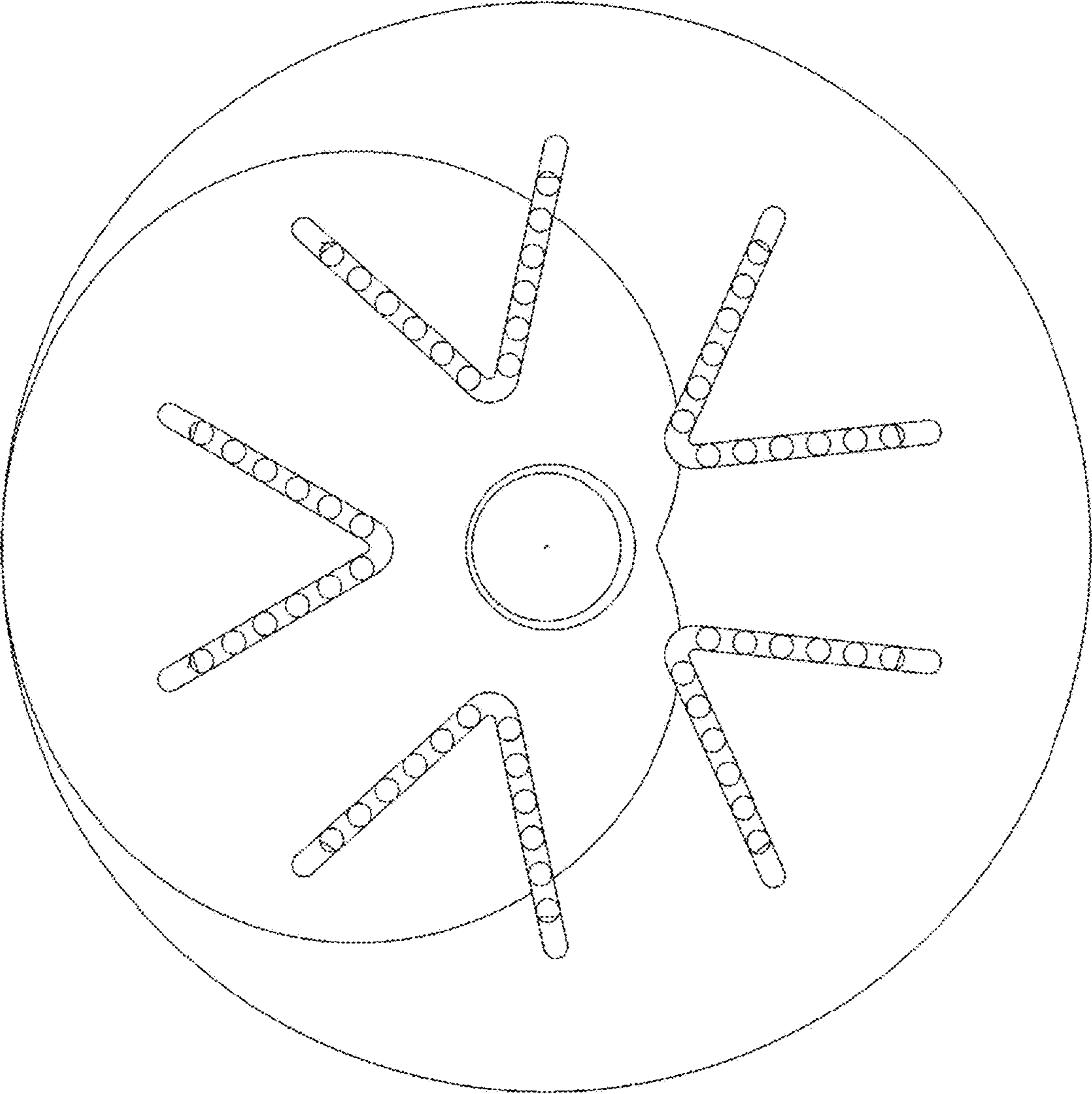


Fig. 1

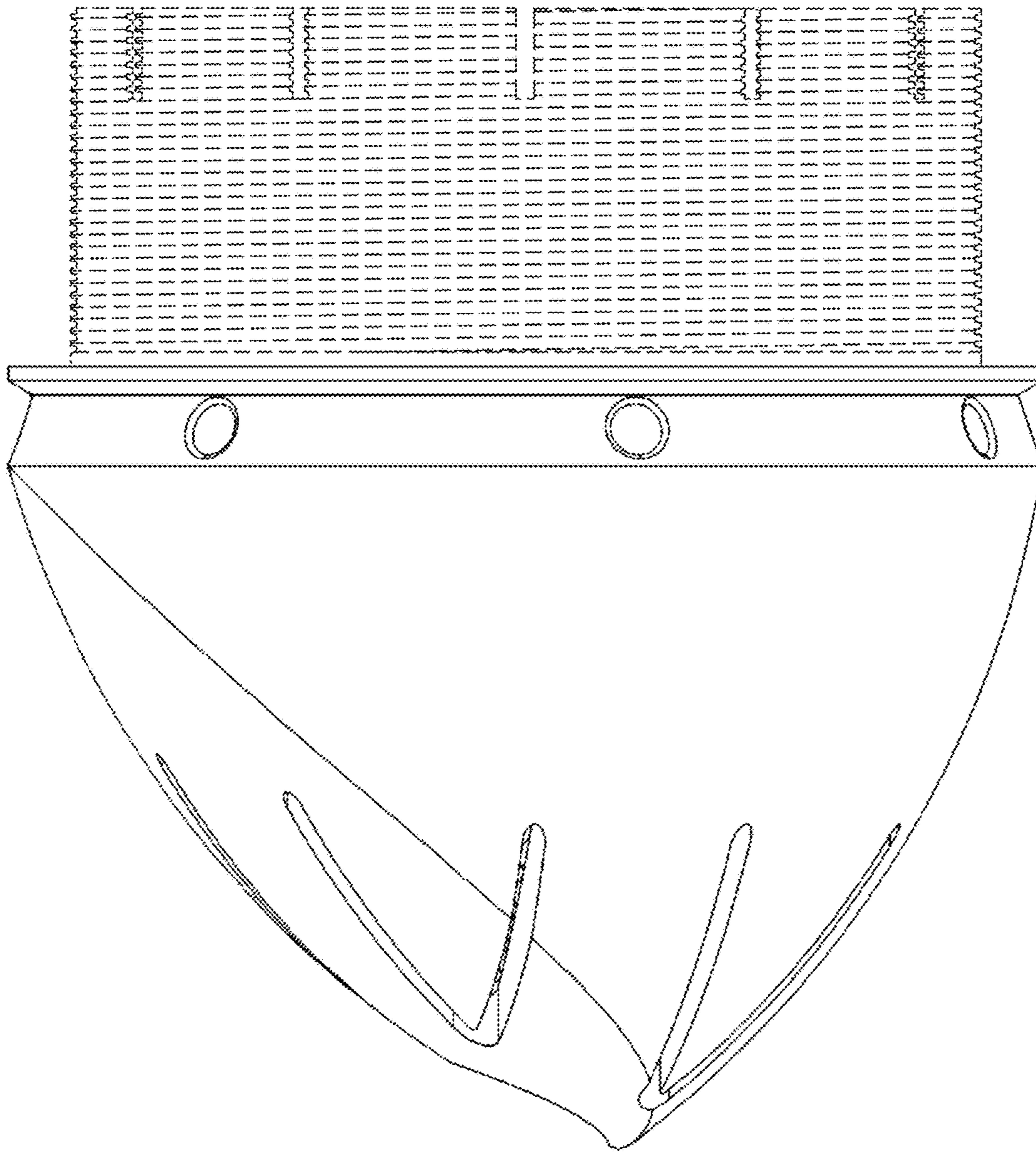


Fig. 2



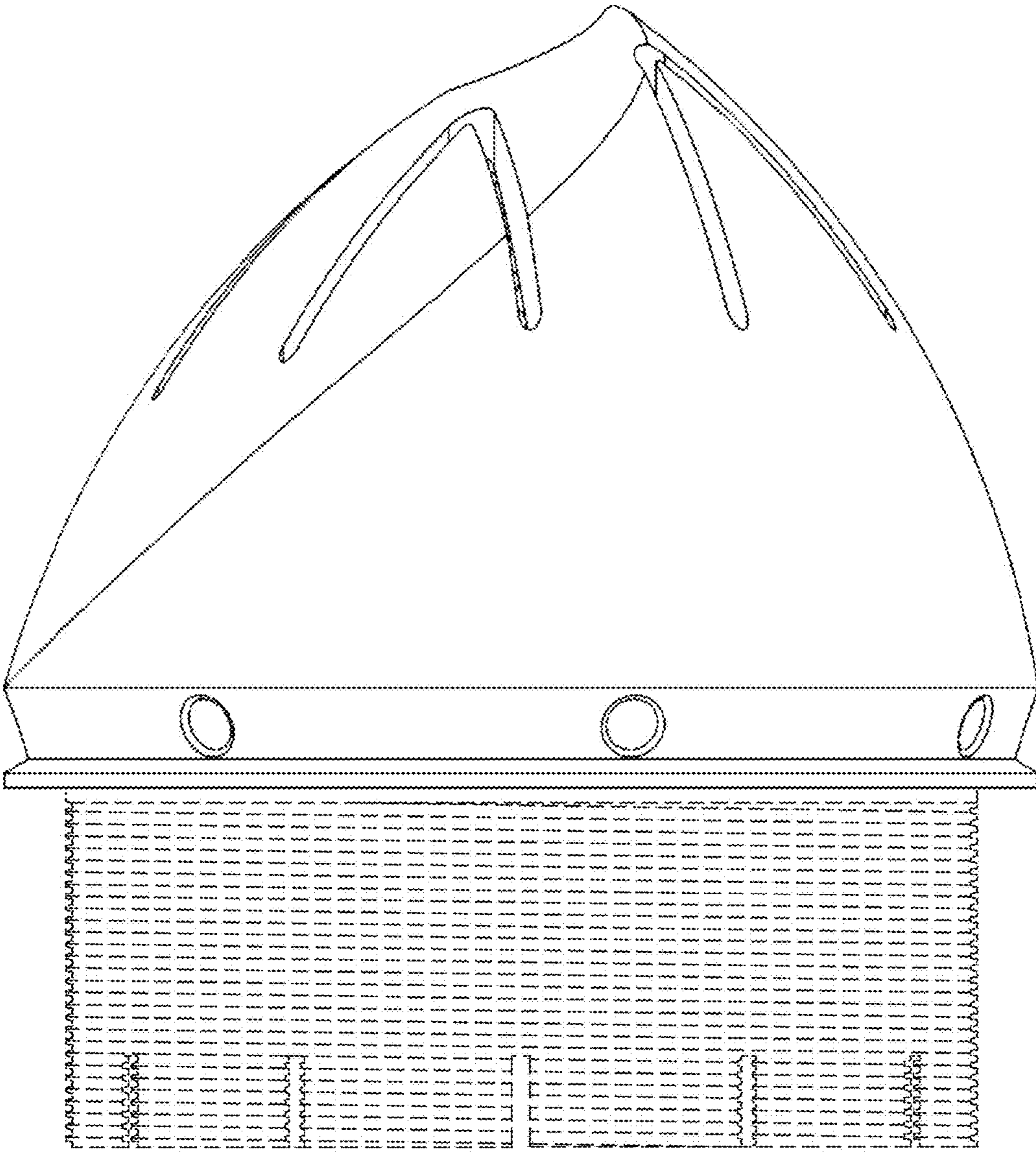


Fig. 3

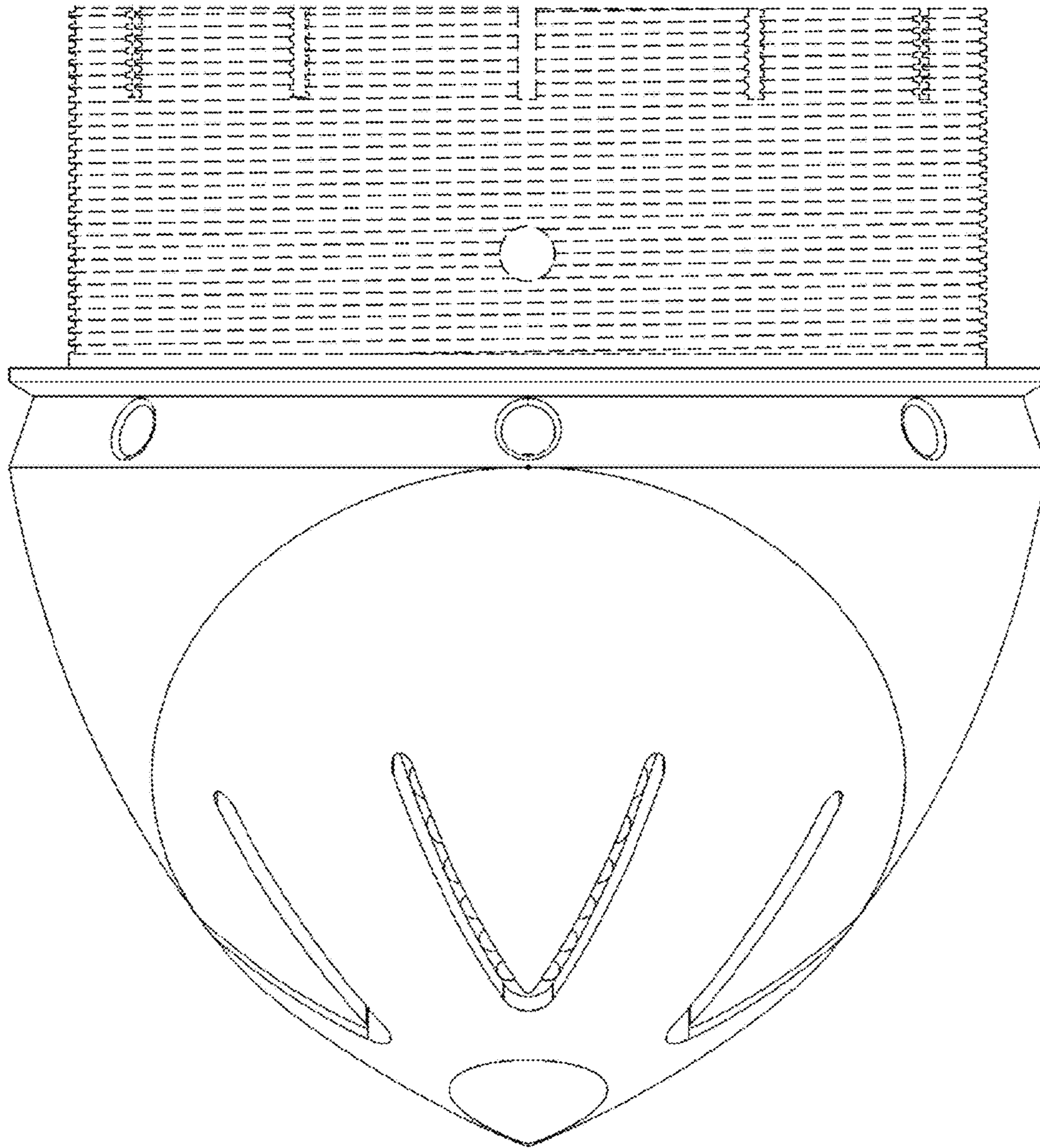


Fig. 4

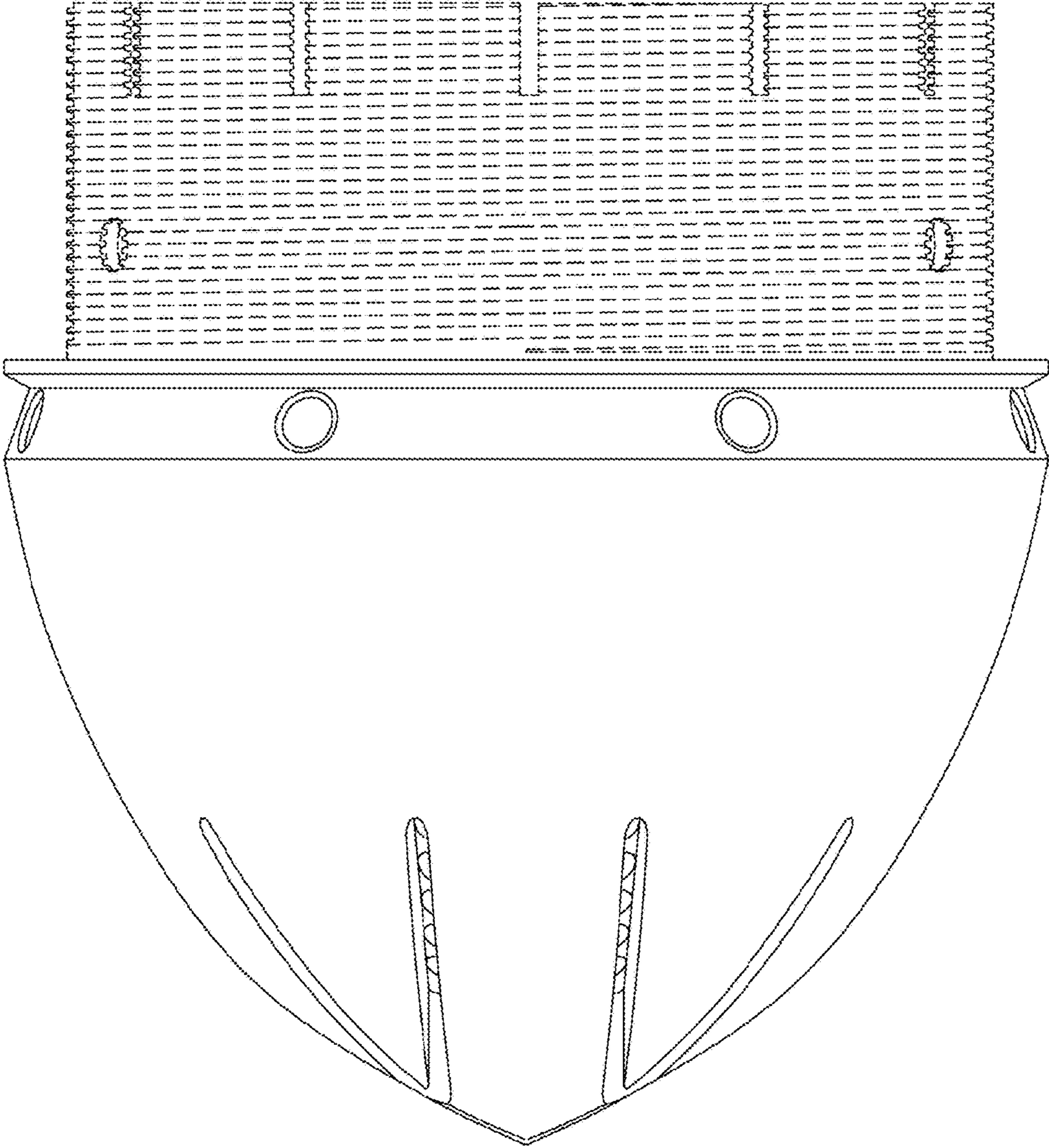


Fig. 5



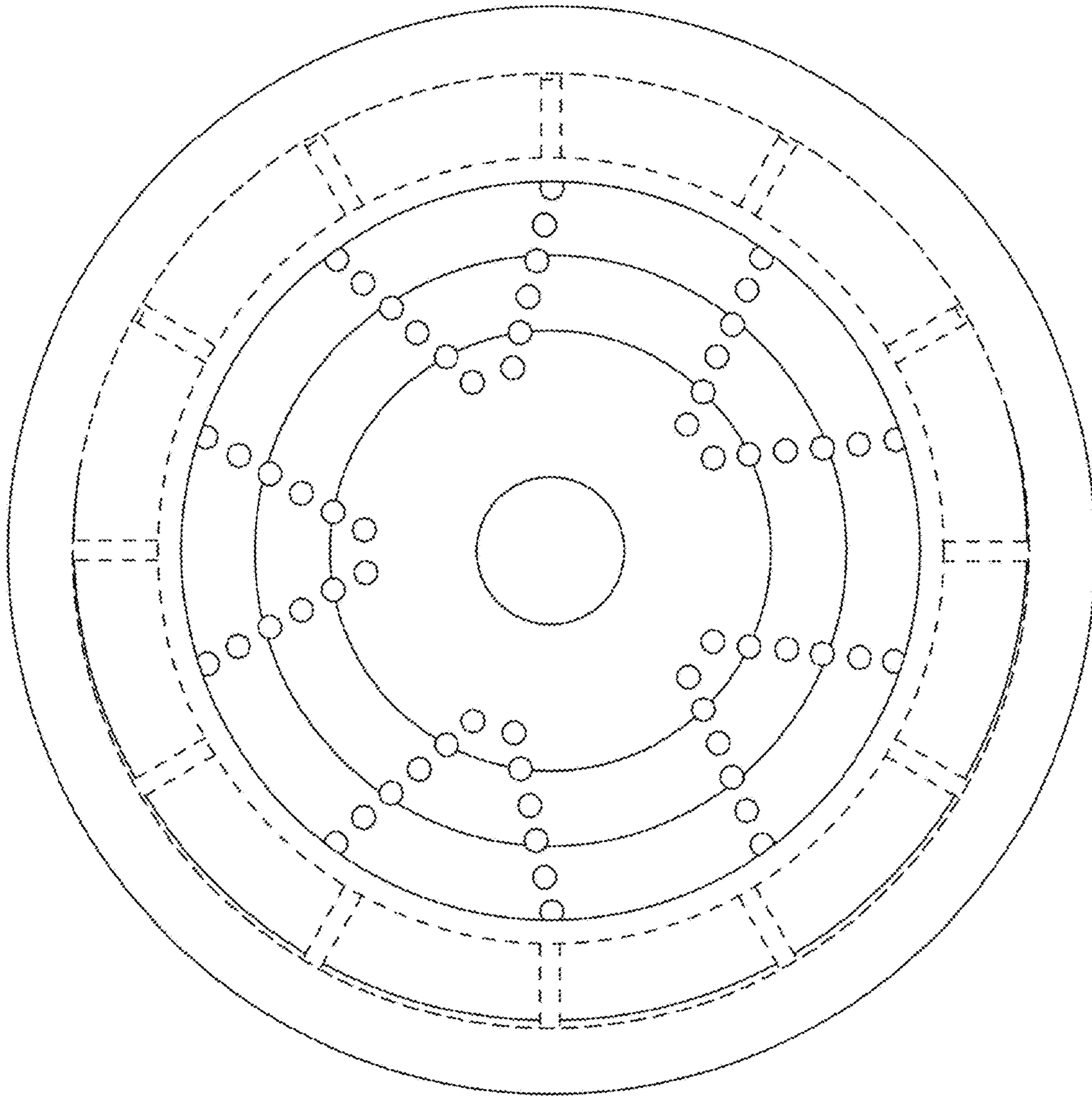


Fig. 6



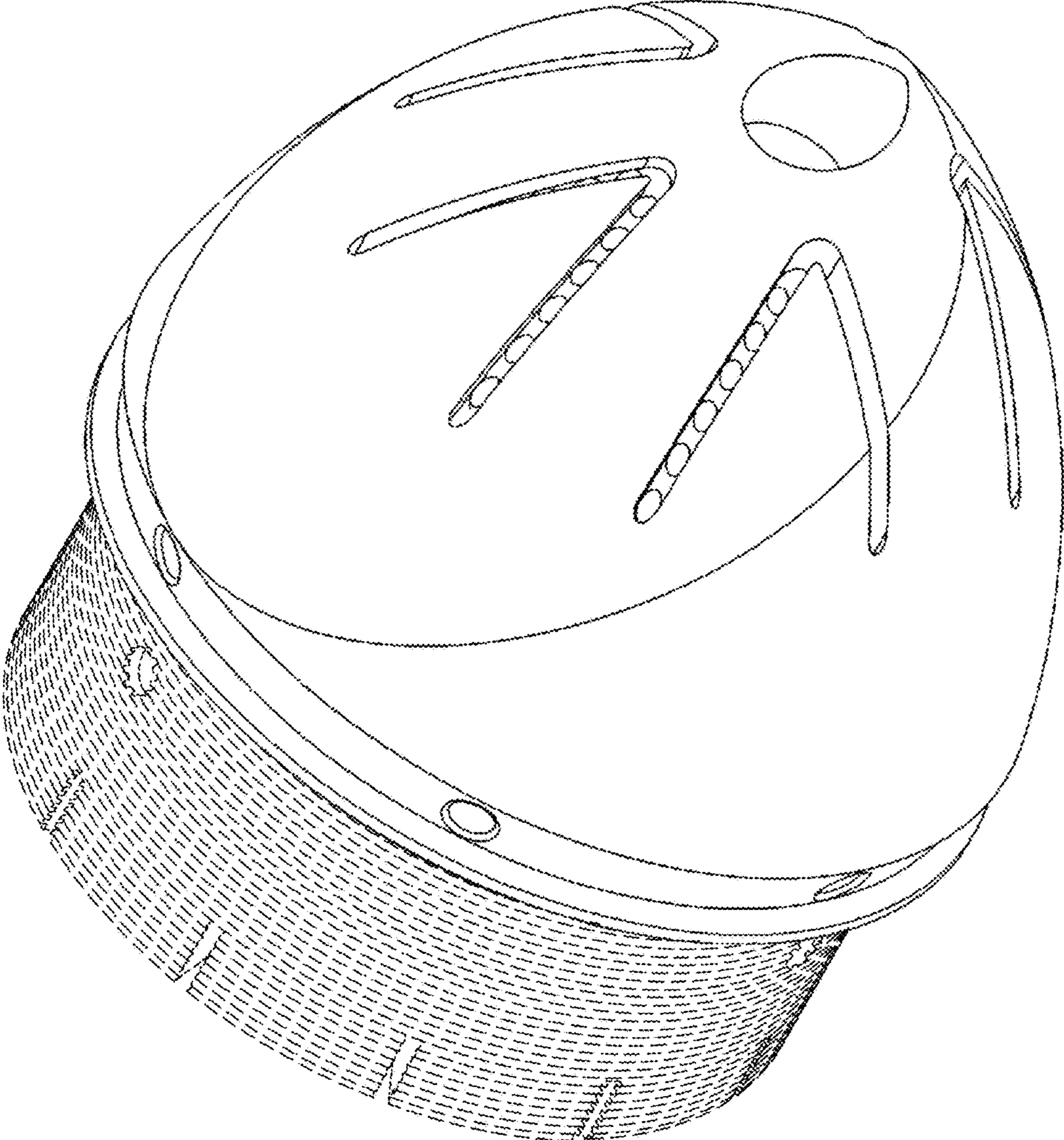


Fig. 7