



US00D940205S

(12) **United States Design Patent**
Bulant

(10) **Patent No.:** **US D940,205 S**
(45) **Date of Patent:** **** Jan. 4, 2022**

- (54) **PUMP FOR LIQUIDS**
- (71) Applicant: **LEISTRITZ PUMPEN GMBH**,
Nuremberg (DE)
- (72) Inventor: **Martin Bulant**, Lochau (AT)
- (**) Term: **15 Years**
- (21) Appl. No.: **35/509,557**
- (22) Filed: **Nov. 6, 2019**
- (80) **Hague Agreement Data**
Int. Filing Date: **Nov. 6, 2019**
Int. Reg. No.: **DM/208532**
Int. Reg. Date: **Nov. 6, 2019**
Int. Reg. Pub. Date: **Jun. 12, 2020**
- (51) **LOC (13) Cl.** **15-02**
- (52) **U.S. Cl.**
USPC **D15/7**
CPC **F04D 7/00** (2013.01)
- (58) **Field of Classification Search**
USPC D15/7, 135, 5; 415/1, 110, 41
CPC . F04D 7/00; F04D 7/065; B22D 39/02; F04B
53/92; F04B 1/005; F04B 43/0736
See application file for complete search history.

- (56) **References Cited**
U.S. PATENT DOCUMENTS
D266,302 S * 9/1982 Moskal D7/582
D284,380 S * 6/1986 Berg D15/7
D296,556 S * 7/1988 Hirakawa D15/7
5,139,397 A * 8/1992 Strelow H02K 11/33
417/423.5
5,178,520 A * 1/1993 Strelow F04D 13/14
417/62
D440,230 S * 4/2001 Craford D15/7
D471,561 S * 3/2003 Kohsaka D15/7
D558,232 S * 12/2007 Wang D15/7
D609,595 S * 2/2010 Soderstrom D15/7
D623,201 S * 9/2010 Yu D15/7

- D647,110 S * 10/2011 Pages D15/7
- D647,537 S * 10/2011 Mehnert D15/7
- D649,561 S * 11/2011 Bauck D15/7
- D652,844 S * 1/2012 Hanitsch D15/7
- D667,845 S * 9/2012 Moysi D15/7
- D668,684 S * 10/2012 Noguchi D15/9
- D676,063 S * 2/2013 Soja D15/7
- 8,376,698 B2 * 2/2013 Vedsted F04D 1/063
415/199.2
- D677,282 S * 3/2013 Soja D15/7
- D696,695 S * 12/2013 Sofussen D15/7
- D696,696 S * 12/2013 Sofussen D15/7
- D704,748 S * 5/2014 Beers D15/7
- D722,083 S * 2/2015 Soja D15/7
- D723,063 S * 2/2015 Edler D15/7
- D733,190 S * 6/2015 West D15/7
- 9,051,936 B2 * 6/2015 Kallesoe F04D 13/14
- D742,928 S * 11/2015 West D15/7
- D771,148 S * 11/2016 Soja D15/7
- D780,227 S * 2/2017 Hines D15/7

(Continued)

Primary Examiner — Richard E Chilcot

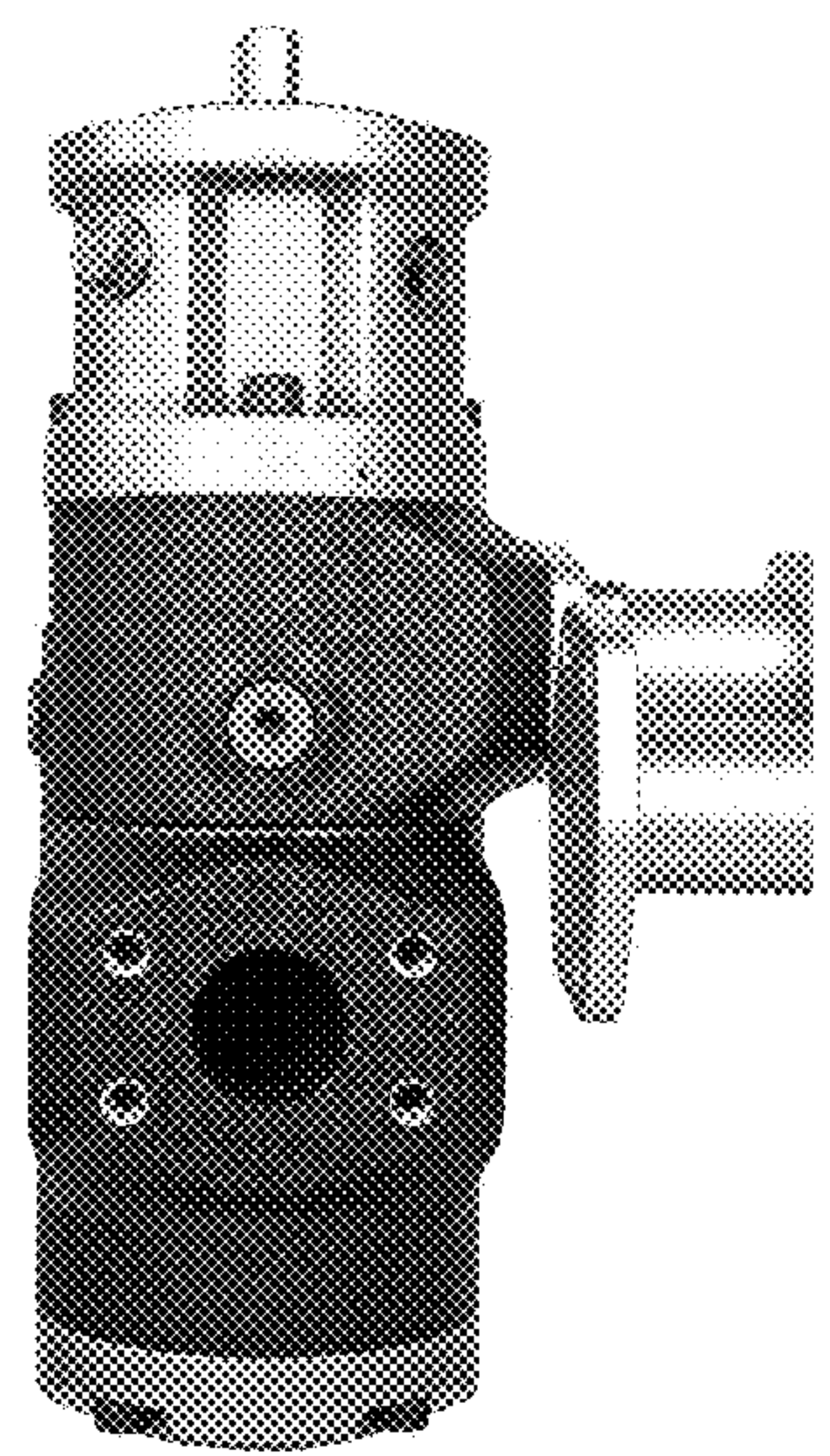
(57) **CLAIM**
The ornamental design for a pump for liquids, as shown and described.

DESCRIPTION

The patent or application file contains at least one drawing executed in color. Copies of this patent or patent application publication with color drawing(s) will be provided by the Office upon request and payment of the necessary fee.

- 1.-4. Pump for liquids
- 1.1 : Back
- 1.2 : Bottom
- 1.3 : Left
- 1.4 : Front
- 3.1 : Back
- 3.2 : Bottom
- 3.3 : Left
- 3.4 : Front

1 Claim, 8 Drawing Sheets
(5 of 8 Drawing Sheet(s) Filed in Color)



(56)

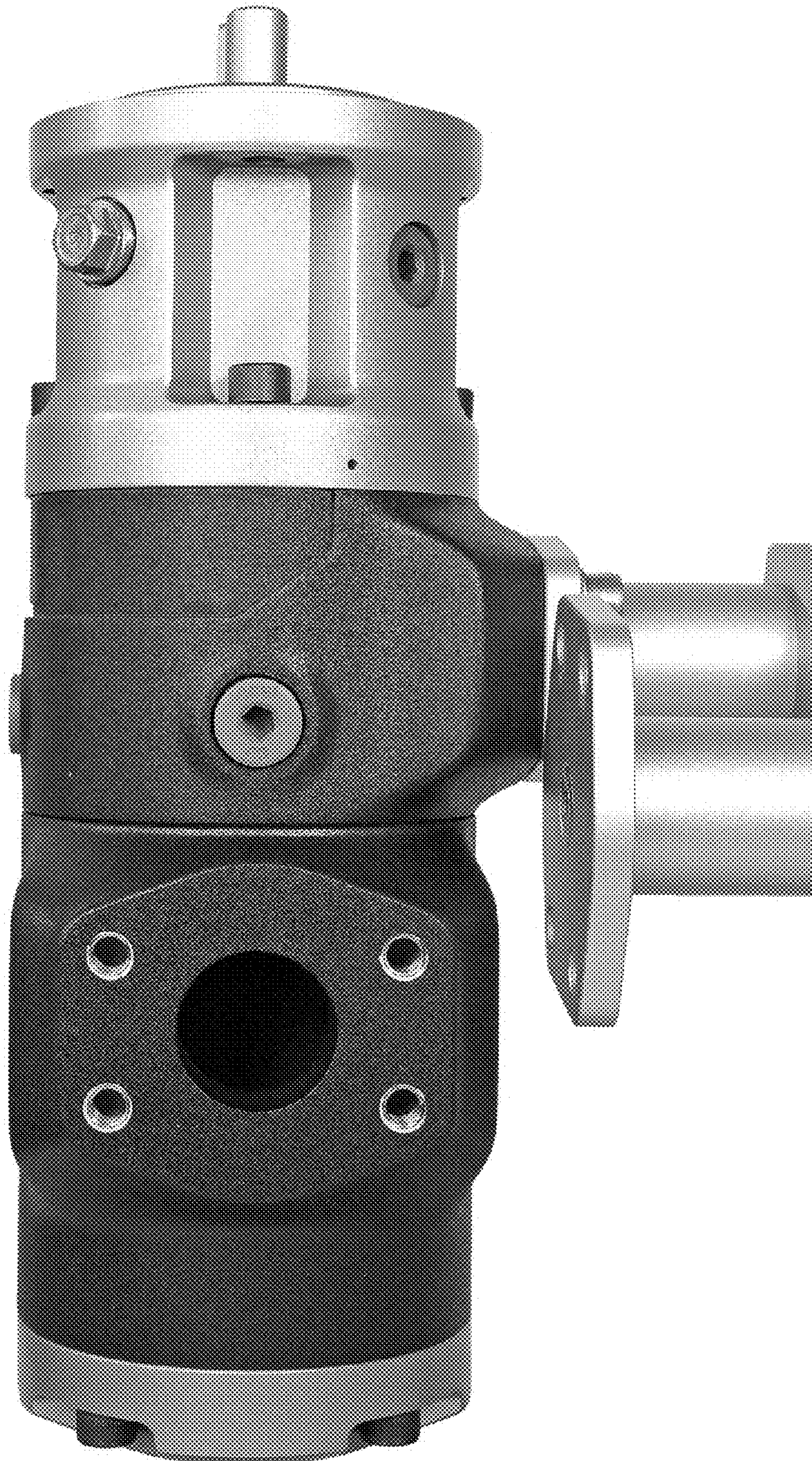
References Cited

U.S. PATENT DOCUMENTS

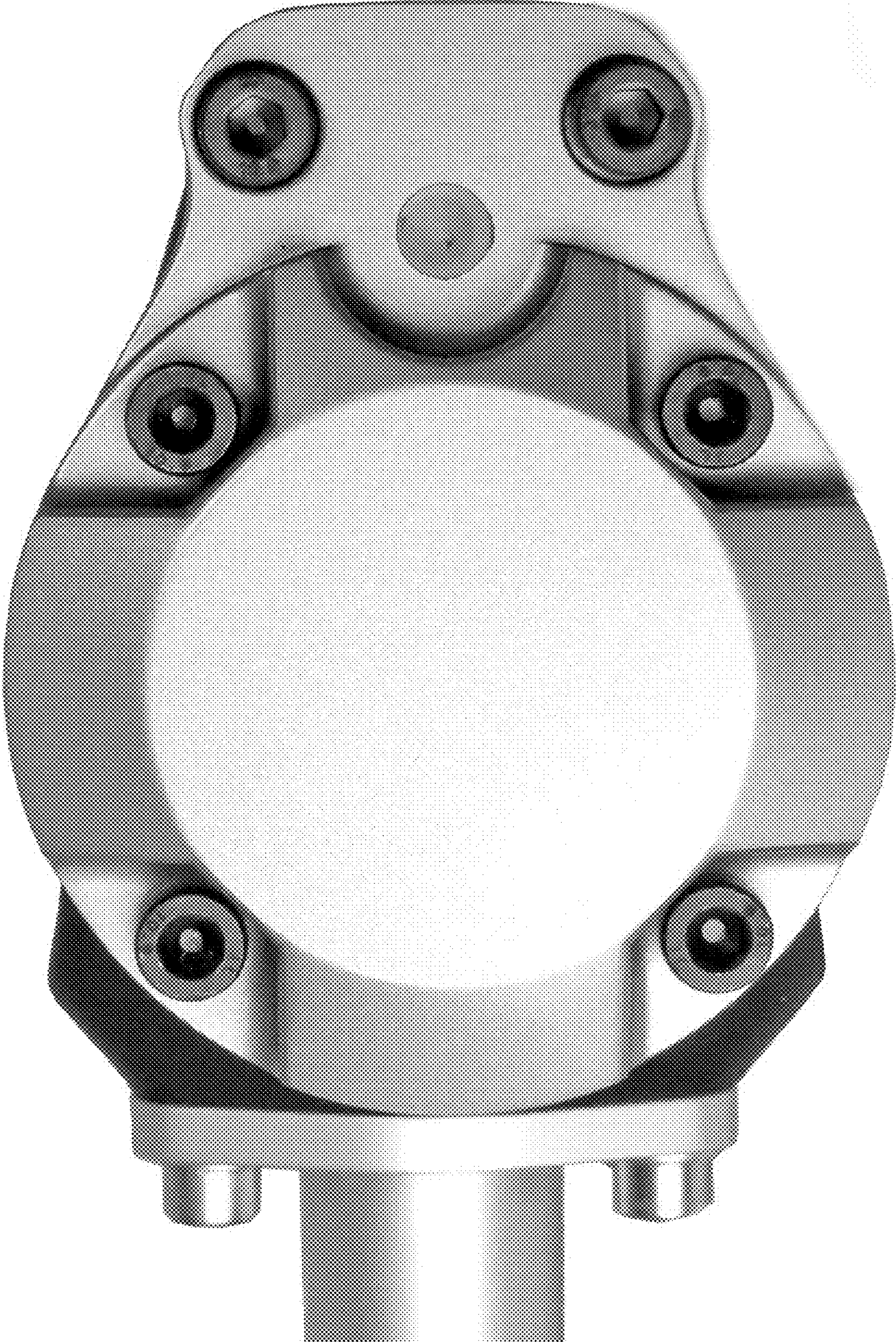
D797,154 S * 9/2017 Fujiwara D15/7
D803,891 S * 11/2017 Timmer D15/7
D822,067 S * 7/2018 Hines D15/7
D822,075 S * 7/2018 Terabe D15/136
D822,719 S * 7/2018 Hines D15/7
D839,922 S * 2/2019 Lee D15/7
D869,504 S * 12/2019 Sander D15/7
D888,103 S * 6/2020 Lee D15/7
D890,211 S * 7/2020 Cooper D15/7
2013/0108729 A1 * 5/2013 Chen B29C 45/5008
425/542
2014/0044520 A1 * 2/2014 Tipton B22D 39/02
415/1
2015/0293505 A1 * 10/2015 Acosta Gonzalez
G05D 7/0682
700/29

* cited by examiner

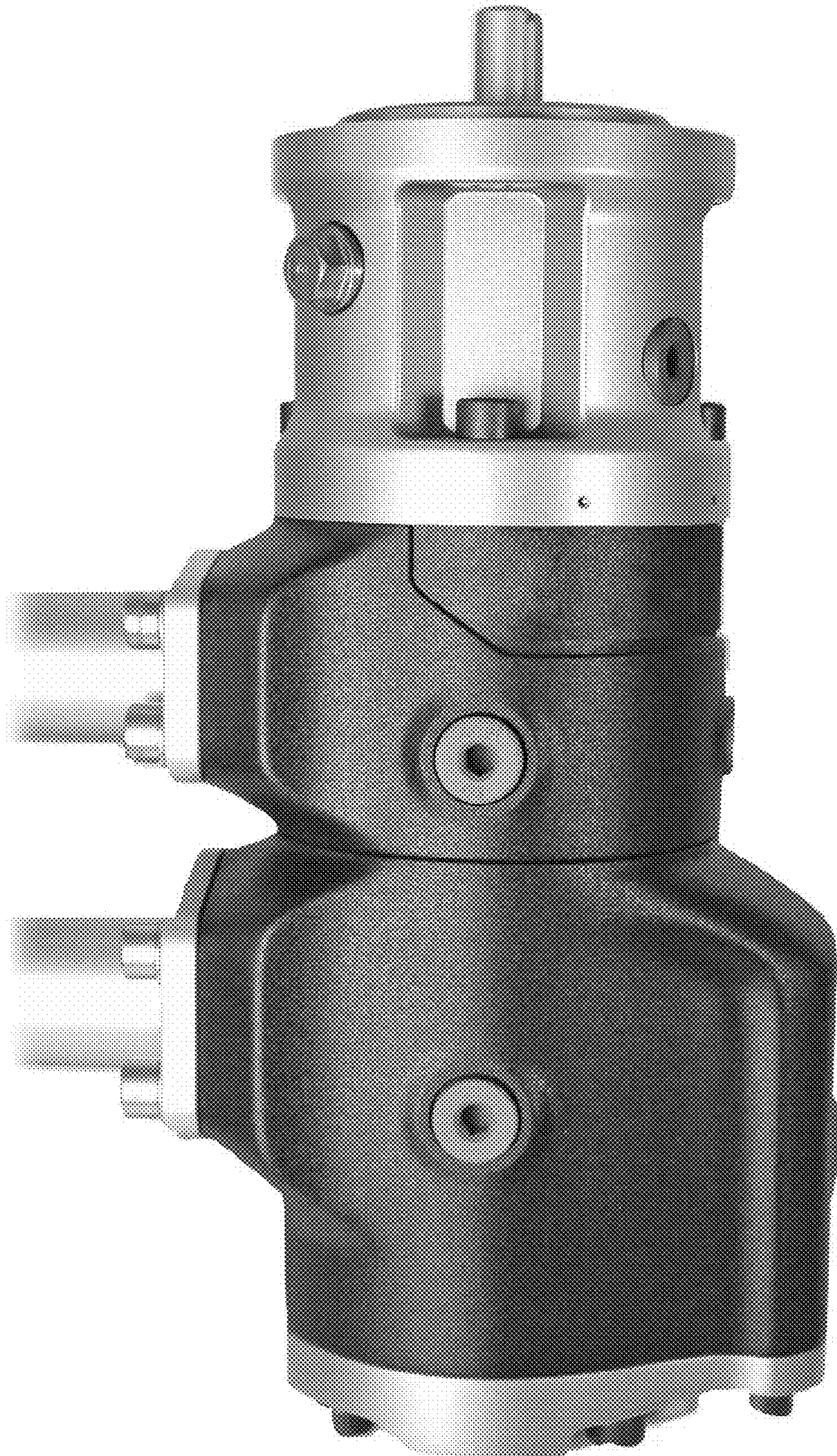
1.1



1.2



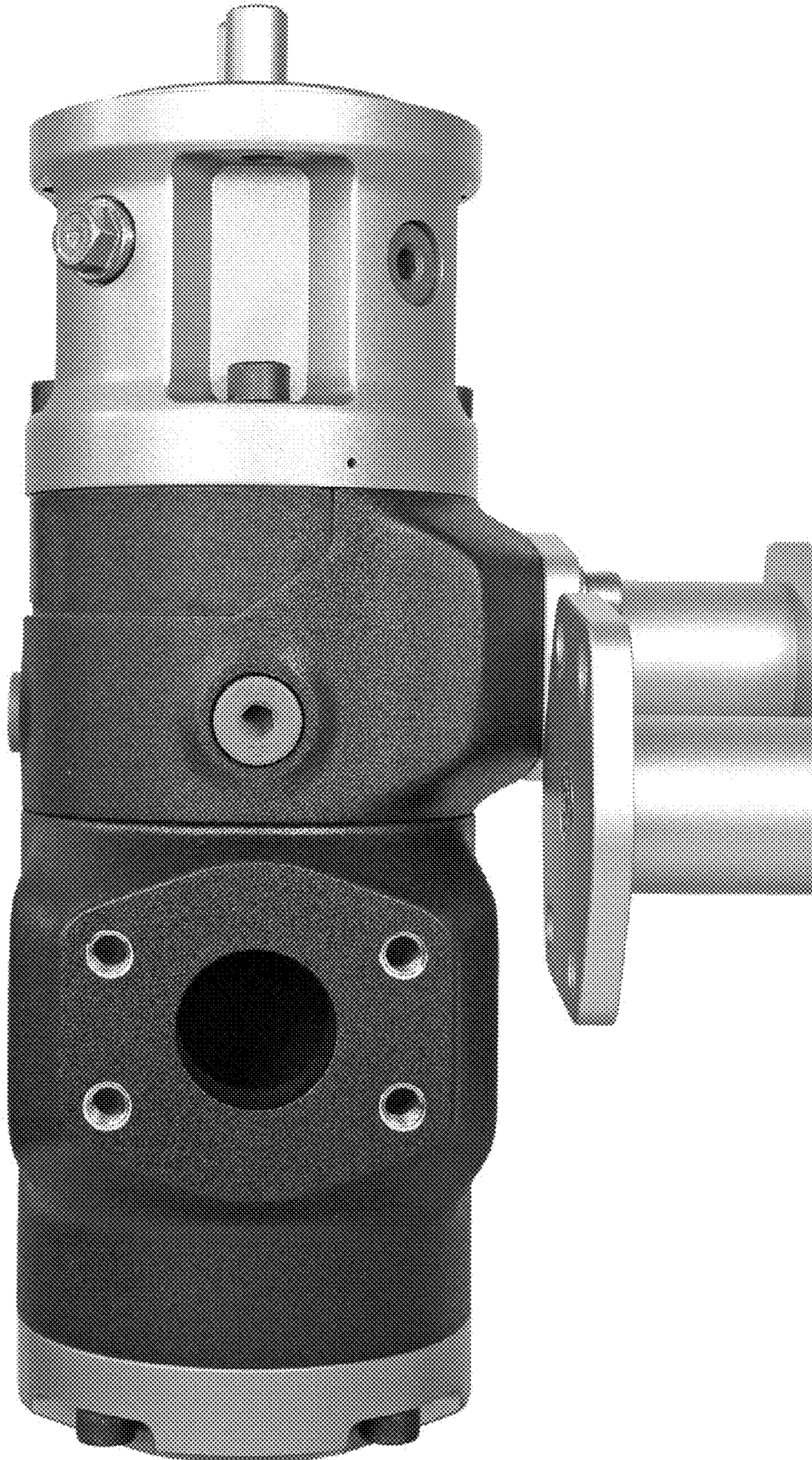
1.3



1.4



3.1



3.2



3.3



3.4

