



US00D940204S

(12) **United States Design Patent**
Shi

(10) **Patent No.:** **US D940,204 S**
(45) **Date of Patent:** **** Jan. 4, 2022**

(54) **AIR PUMP**

(71) Applicant: **BEIJING JIFENG TECHNOLOGY CO., LIMITED**, Beijing (CN)

(72) Inventor: **Jianfei Shi**, Yingkou (CN)

(73) Assignee: **BEIJING JIFENG TECHNOLOGY CO., LIMITED**, Beijing (CN)

(**) Term: **15 Years**

(21) Appl. No.: **29/778,329**

(22) Filed: **Apr. 13, 2021**

(51) **LOC (13) Cl.** **15-02**

(52) **U.S. Cl.**
USPC **D15/7**

(58) **Field of Classification Search**
USPC D8/29.1, 30, 61, 68, 107; D28/12, 13;
D15/5-9.1, 144, 144.1, 144.2
CPC F04B 53/14; F04B 53/92; F04B 33/00;
F04B 33/005; F04B 1/005; F04B 17/03;
F04B 49/00; F04B 53/00; F04B 35/06;
F04B 17/06; B25B 21/00; B25B 21/02;
F04D 25/0673; F04D 13/06; F04D 29/22;
F04D 29/046; F04D 29/2266
See application file for complete search history.

(56) **References Cited**

U.S. PATENT DOCUMENTS

D270,380 S *	8/1983	Armstrong	D28/13
D369,434 S *	4/1996	LeCompte, Sr.	D28/13
D376,302 S *	12/1996	Tsai	D8/29.1
5,667,377 A *	9/1997	Lin	F23D 14/28 126/406
D405,806 S *	2/1999	Poon	D15/7
D451,521 S *	12/2001	Poon	D15/7
D484,382 S *	12/2003	Su	D8/61
D681,419 S *	5/2013	Patterson	D8/107
D829,526 S *	10/2018	Harrington	D8/107

D869,509 S	12/2019	Huang et al.	
D878,424 S *	3/2020	Huang D15/7
D893,965 S *	8/2020	De Lay D8/29.1
D905,522 S *	12/2020	Tsai D8/30
D909,676 S *	2/2021	Santos D28/13

FOREIGN PATENT DOCUMENTS

CN	306551069	*	12/2020
EM	008498570-0001	*	4/2021

* cited by examiner

Primary Examiner — Sheryl Lane
Assistant Examiner — Mark T. Philipps

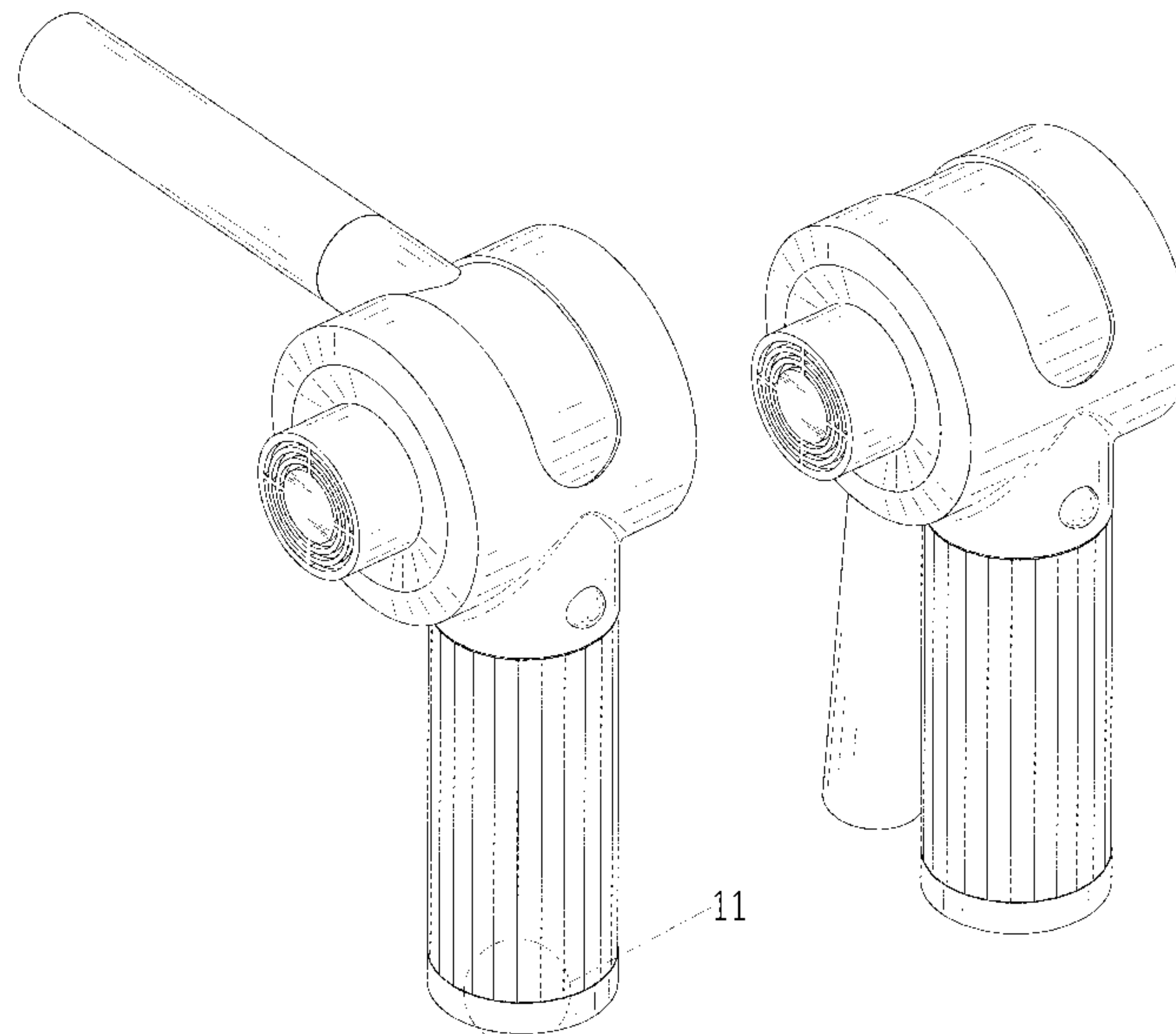
(57) **CLAIM**

The ornamental design for an air pump, as shown and described.

DESCRIPTION

FIG. 1 is a perspective view of an air pump showing my new design;
 FIG. 2 is another perspective view thereof;
 FIG. 3 is a front elevational view thereof;
 FIG. 4 is a rear elevational view thereof;
 FIG. 5 is a left side elevational view thereof;
 FIG. 6 is a right side elevational view thereof;
 FIG. 7 is a top plan view thereof;
 FIG. 8 is a bottom plan view thereof;
 FIG. 9 is a perspective view of an air pump showing my new design where the air pump is in a first configuration of use;
 FIG. 10 is a perspective view of the air pump where the air pump is in a second configuration of use; and,
 FIG. 11 is an enlarged view of portion 11 shown in FIG. 1.
 The broken lines in the drawings depict portions of the air pump that form no part of the claimed design.
 The dash dot broken lines on FIGS. 1 and 11 are provided to define the enlargement regions in each and form no part of the claimed design.

1 Claim, 11 Drawing Sheets



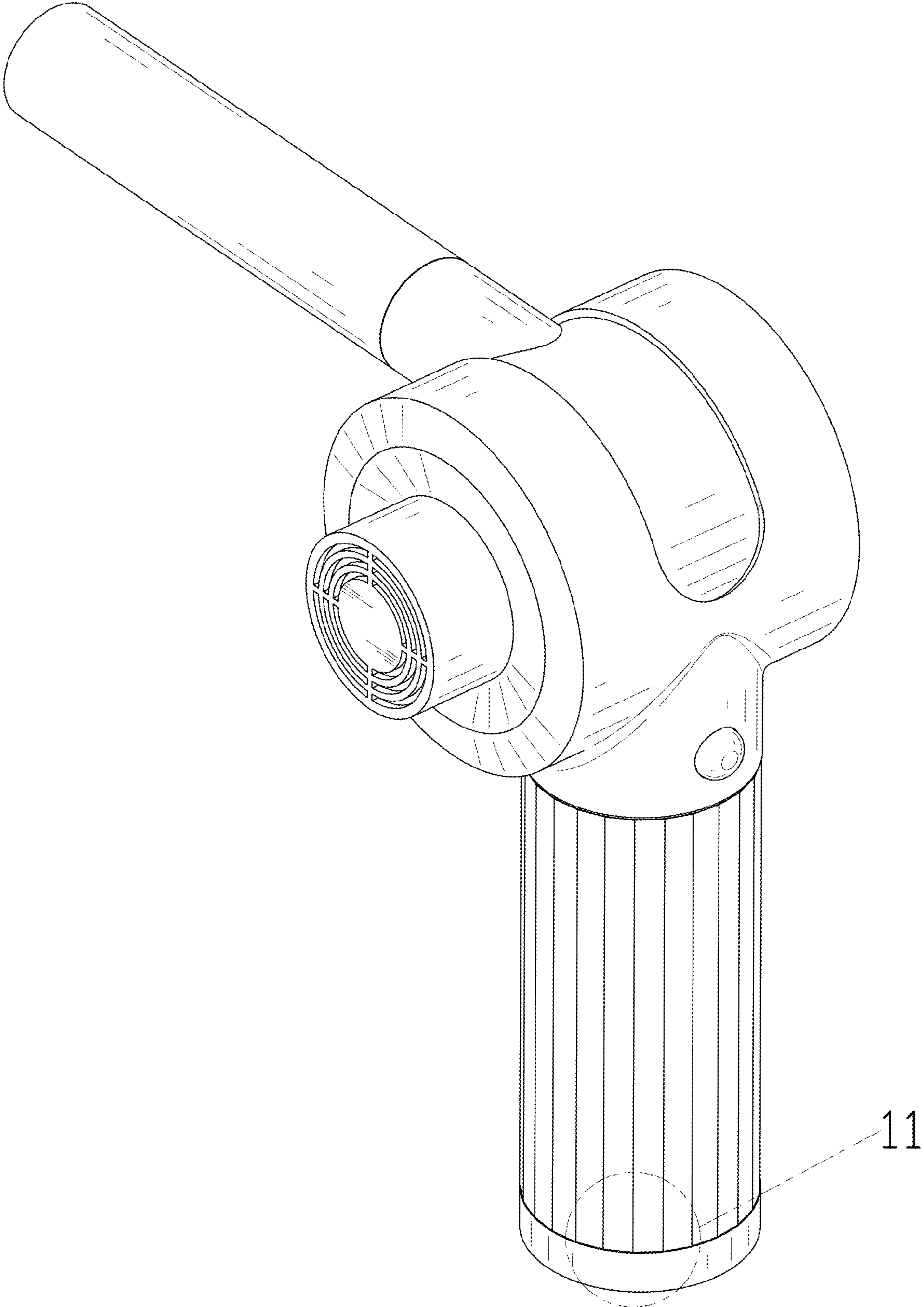


FIG. 1

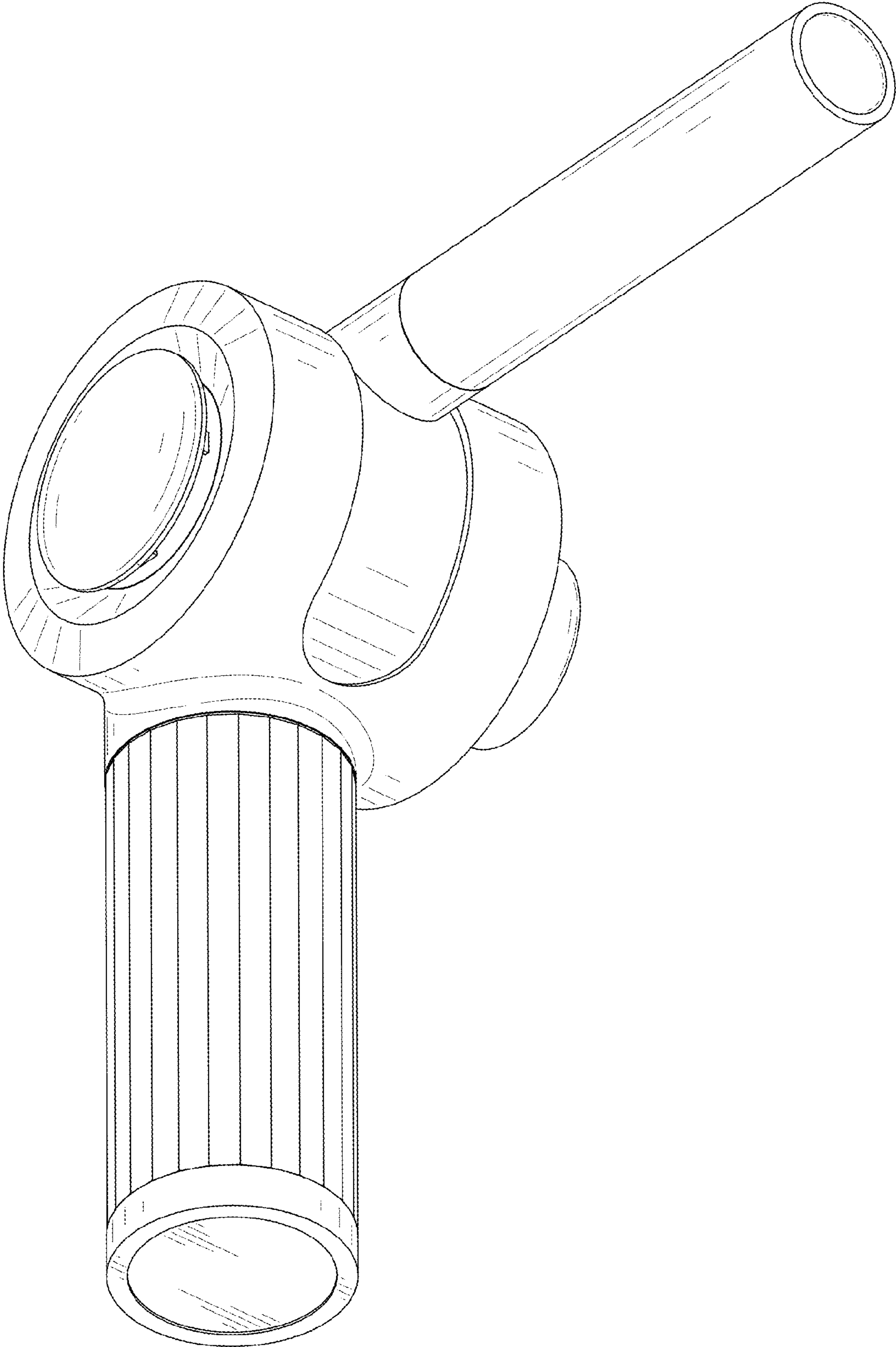


FIG. 2

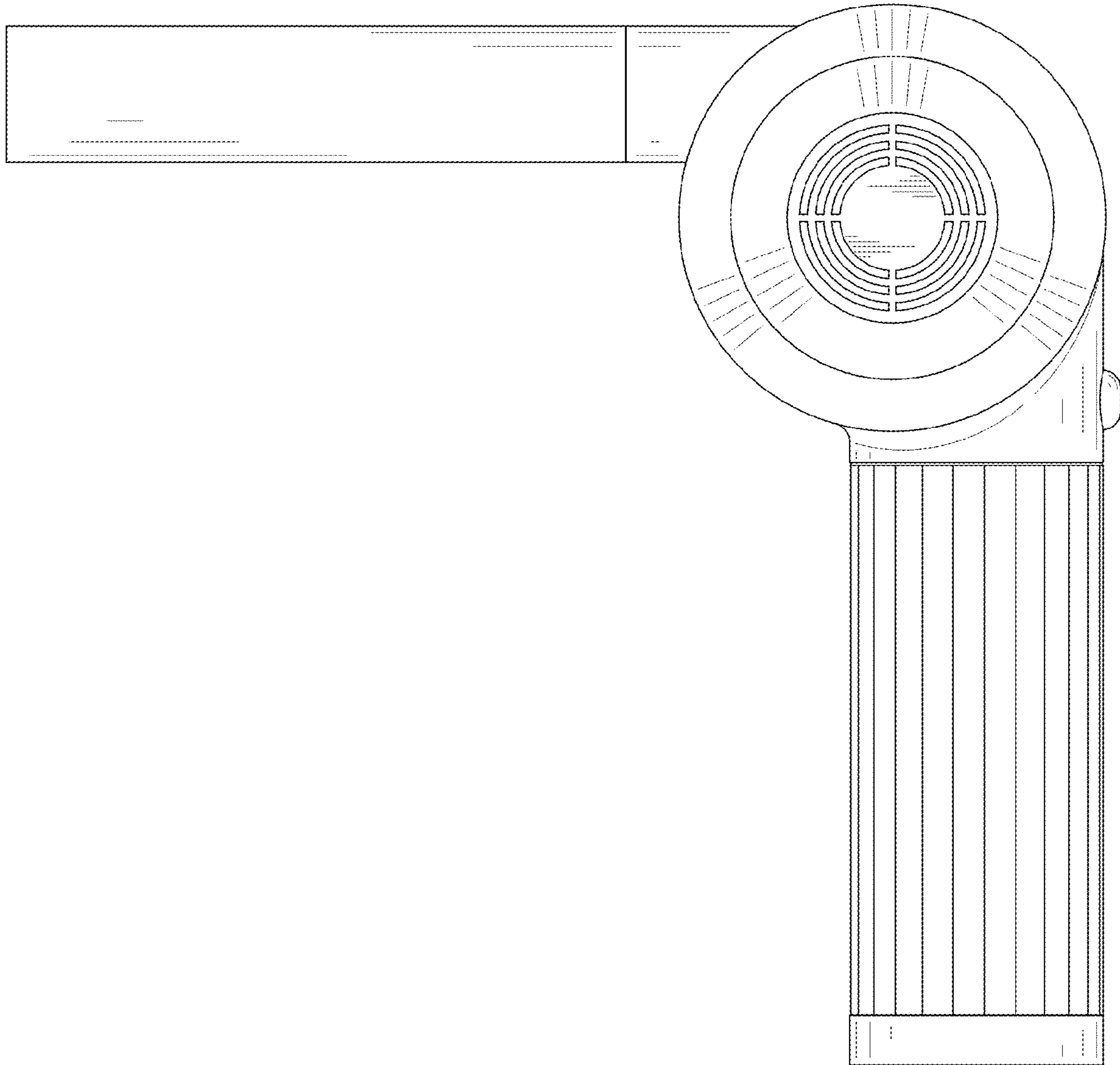


FIG. 3

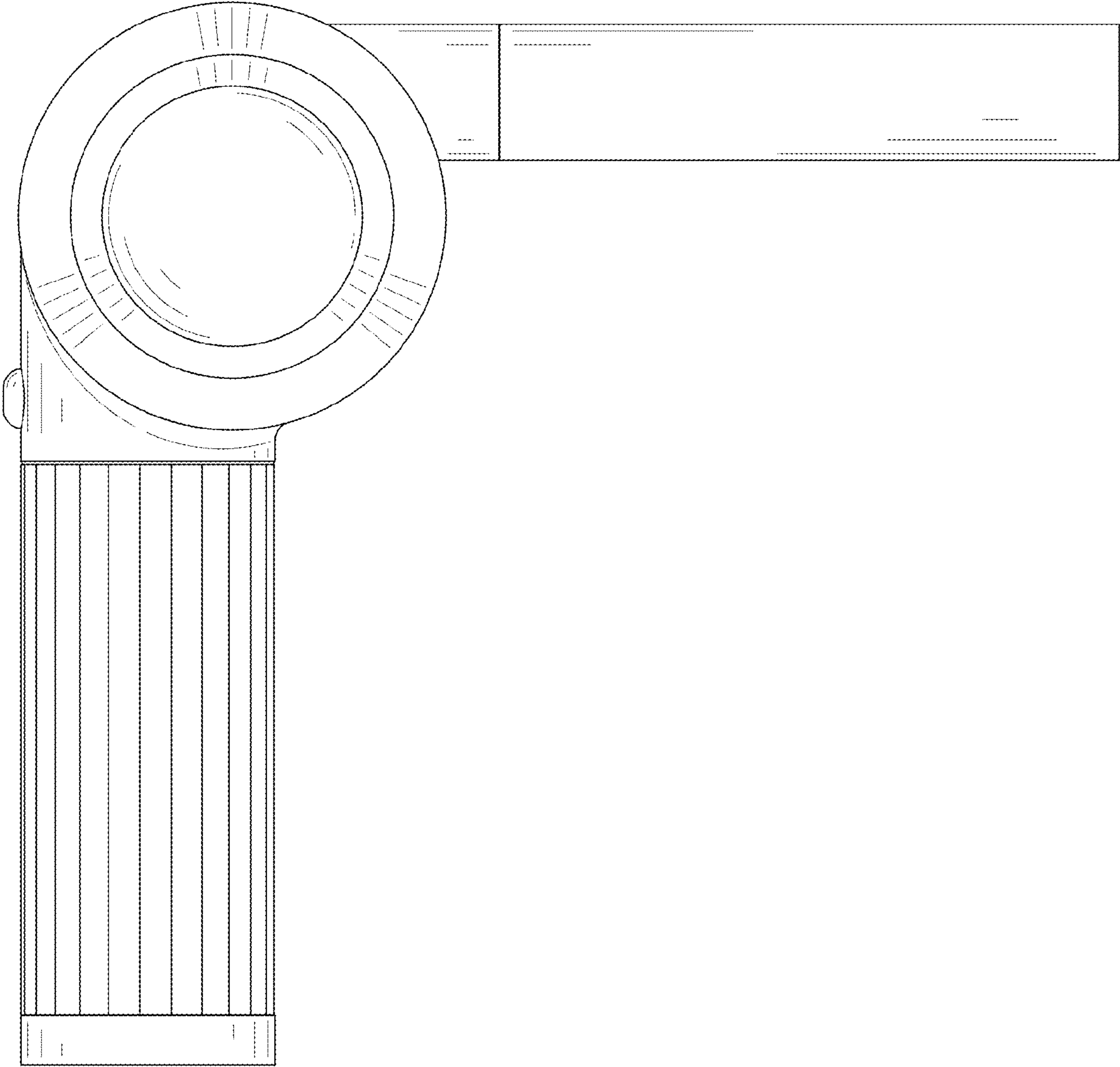


FIG. 4

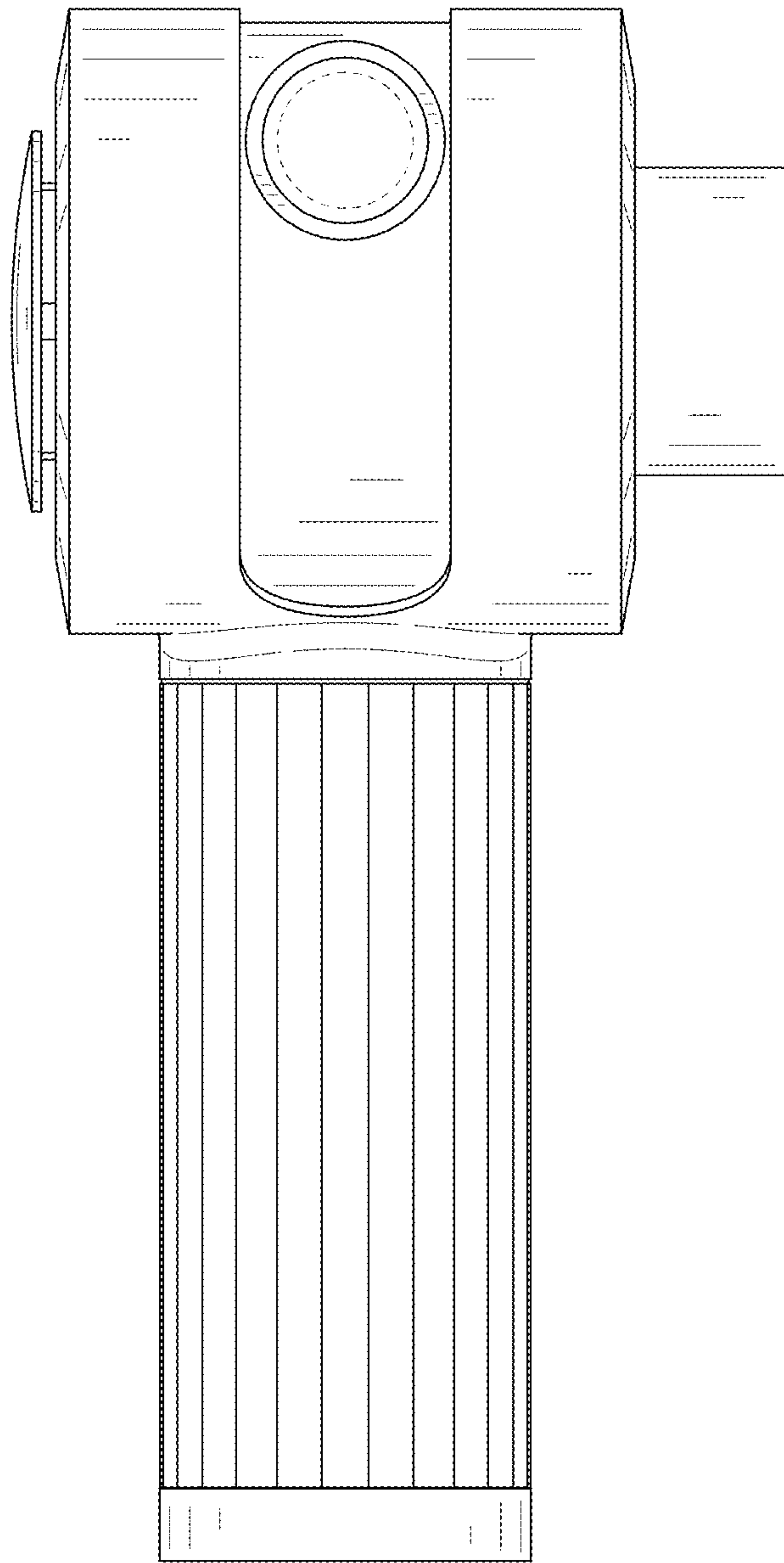


FIG. 5

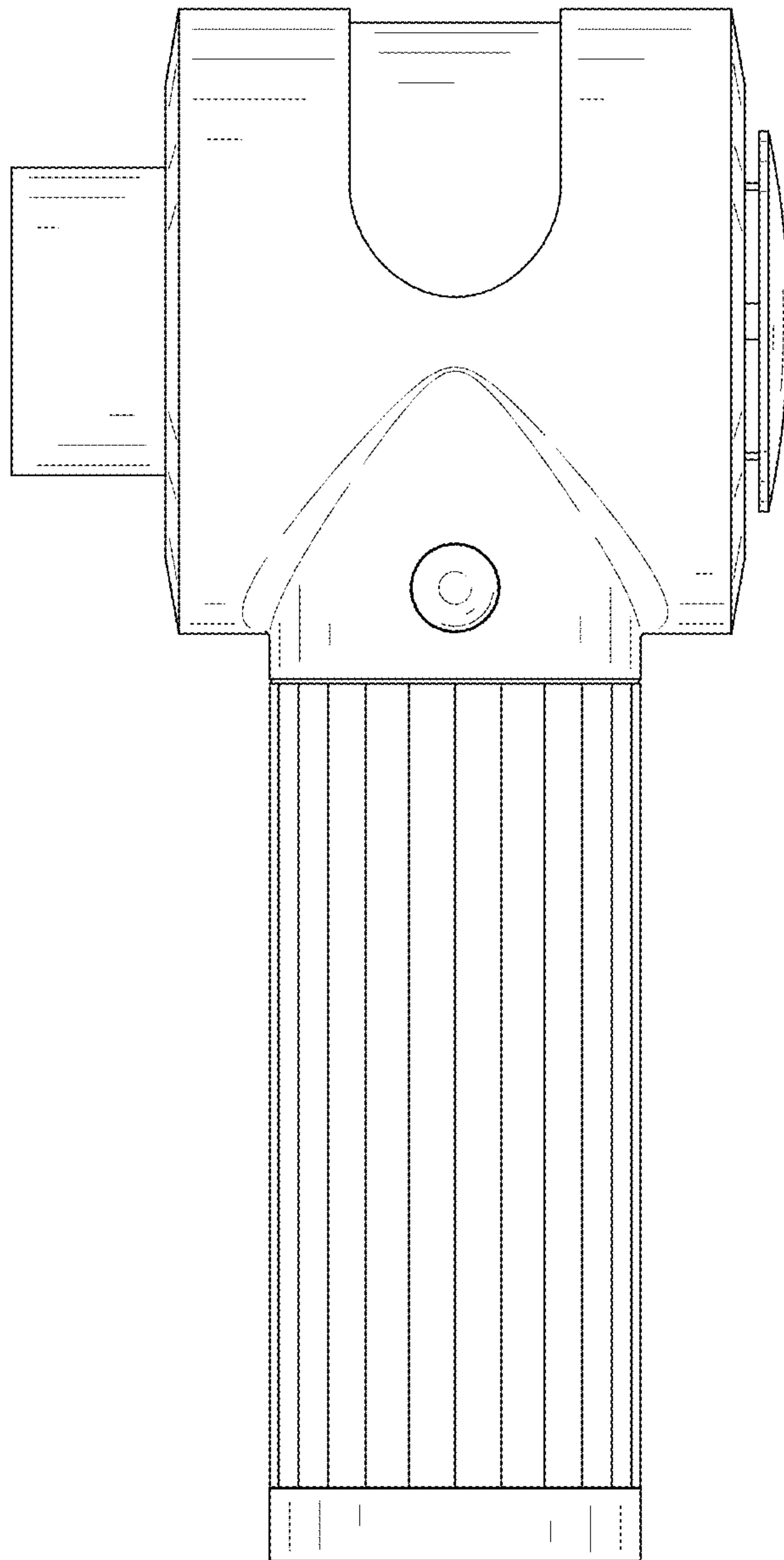


FIG. 6

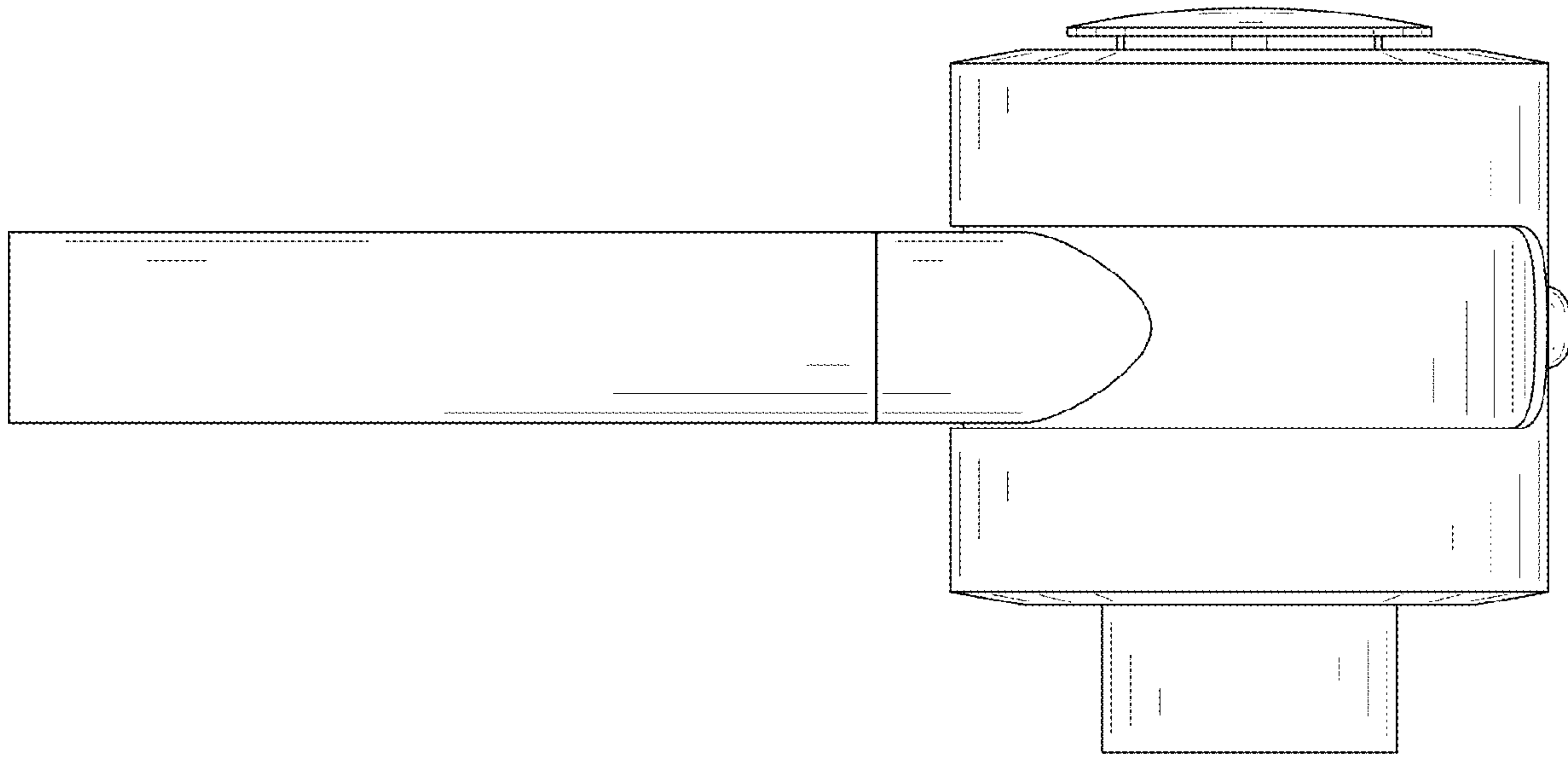


FIG. 7

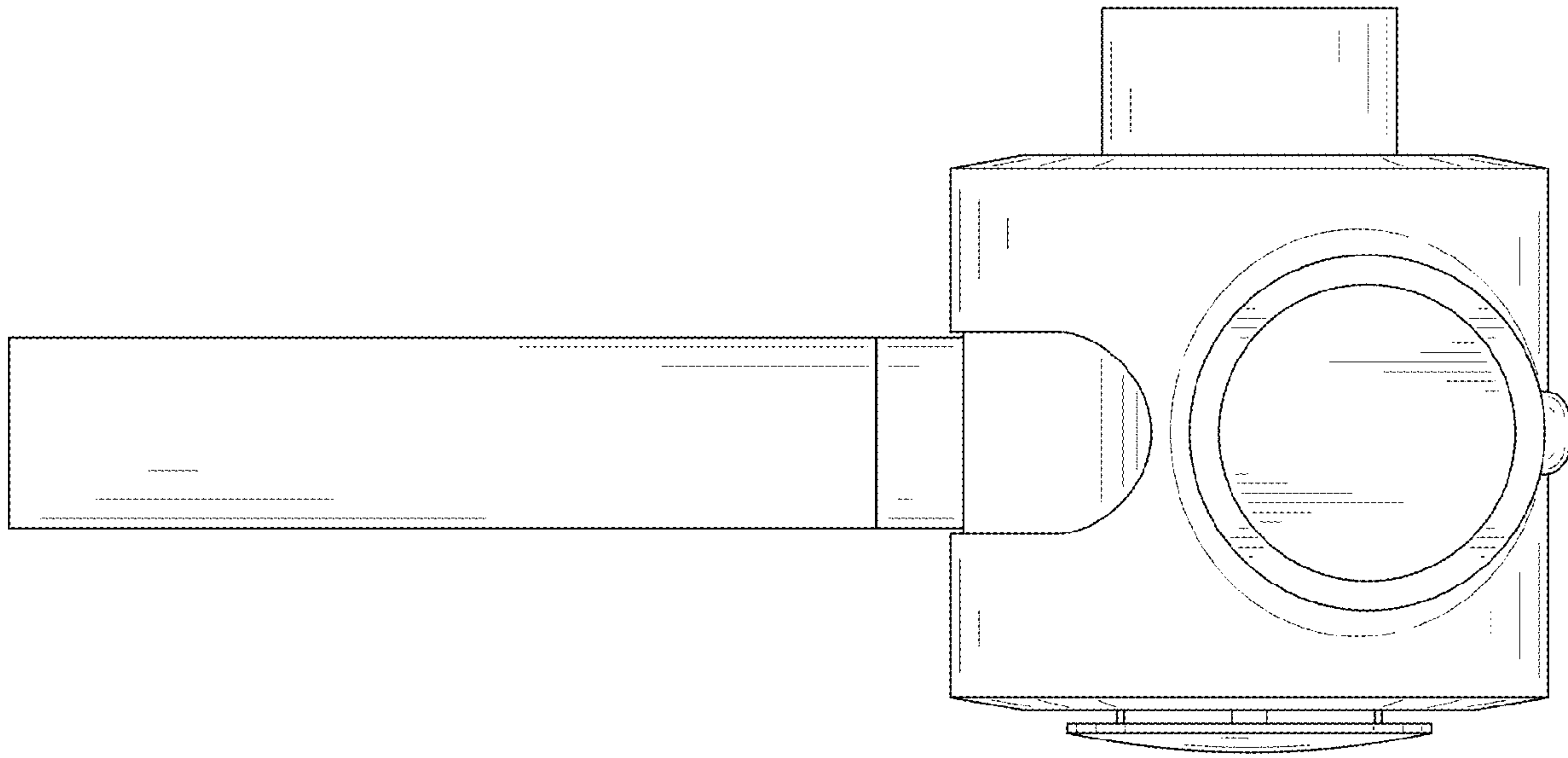


FIG. 8

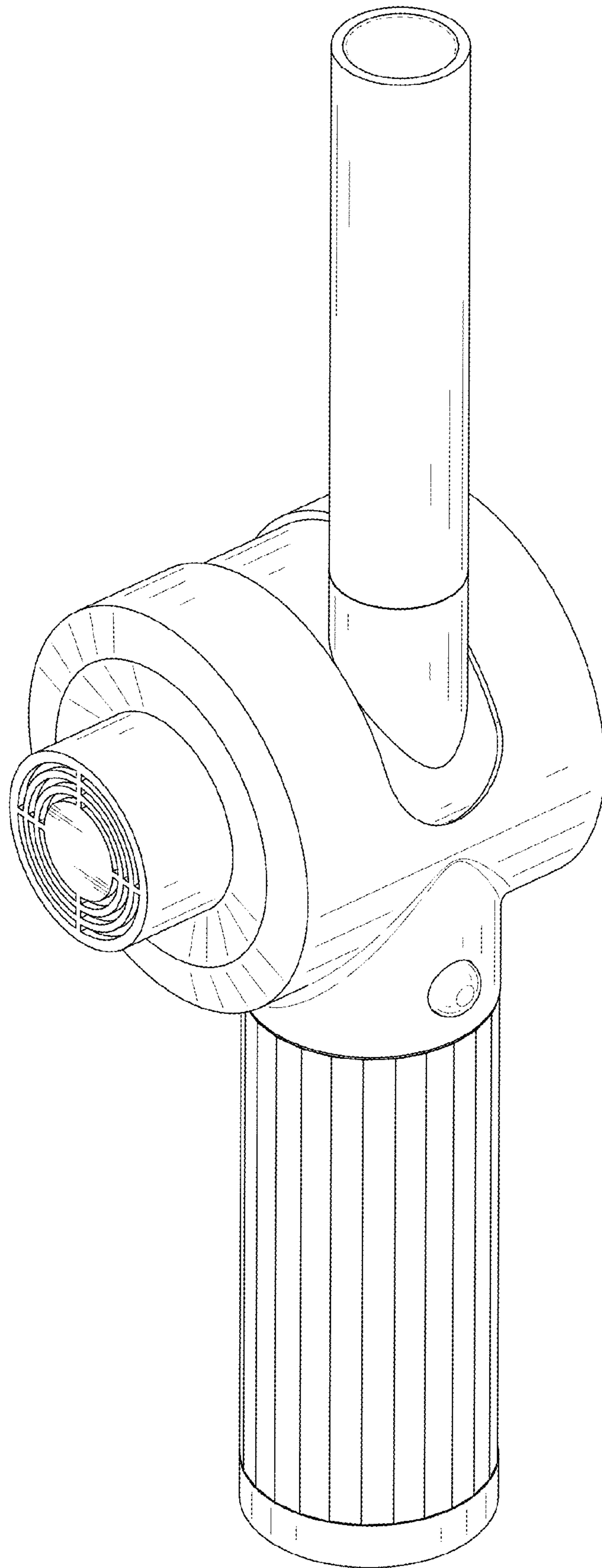


FIG. 9

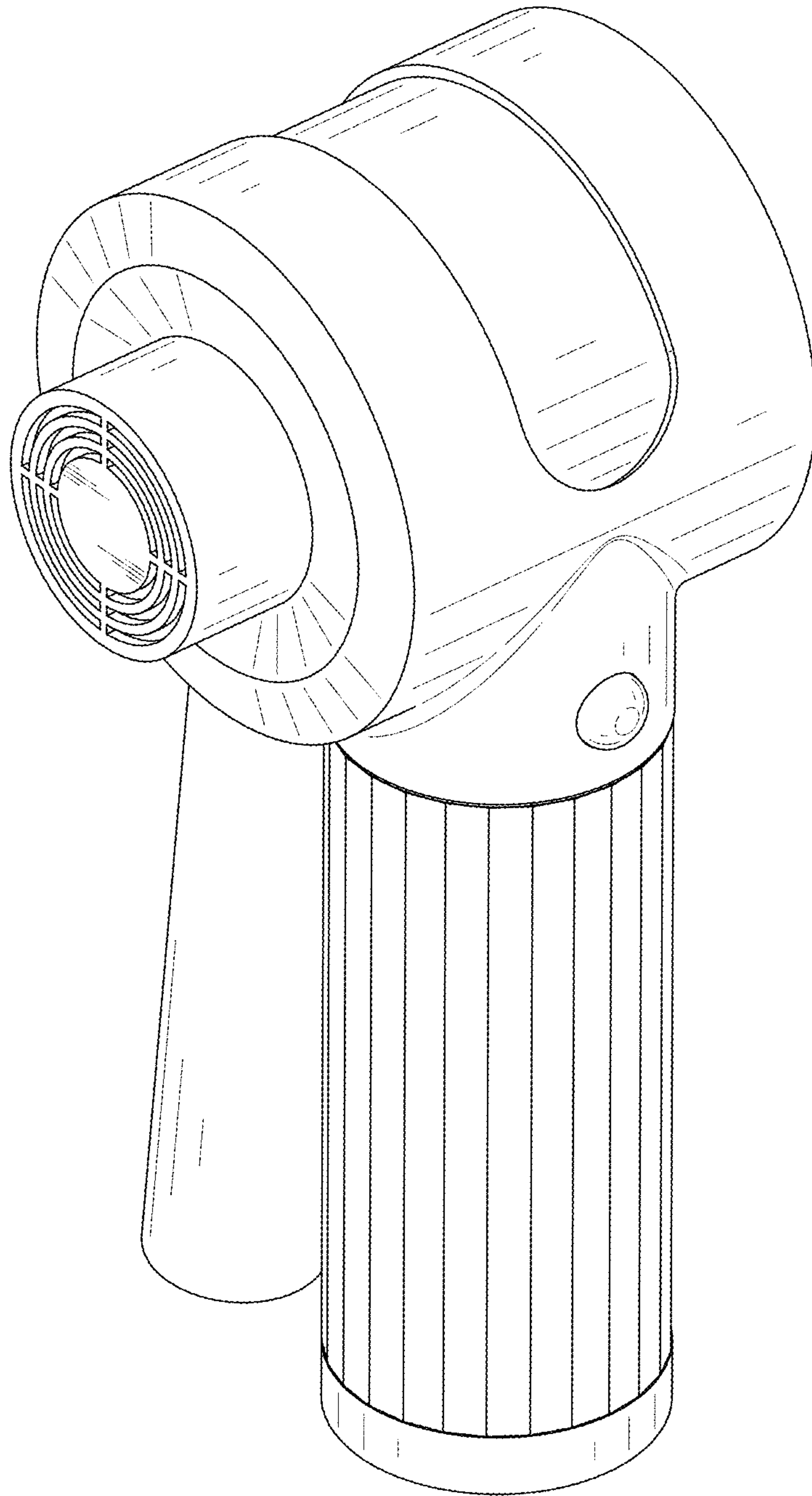


FIG. 10

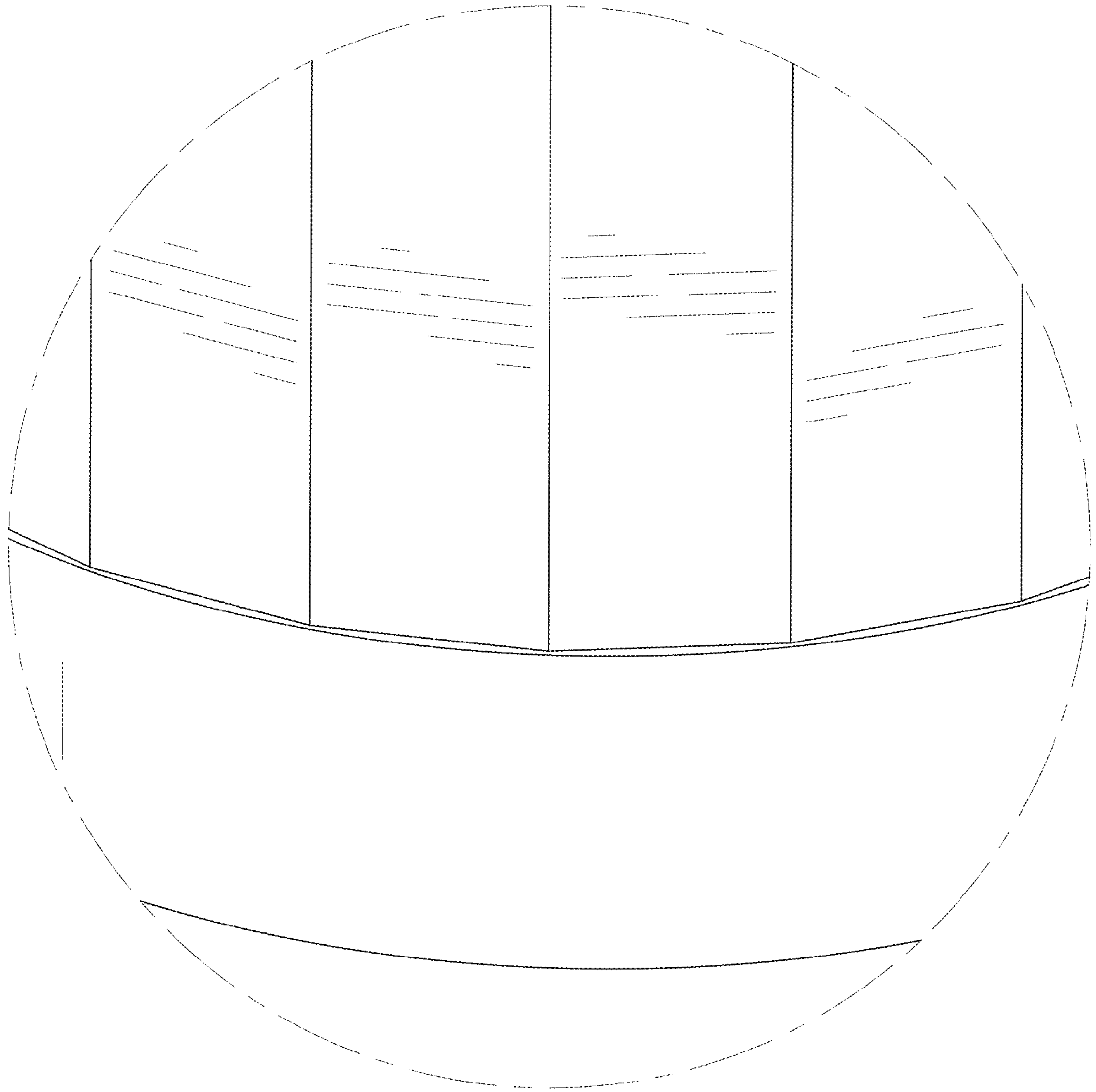


FIG. 11