



US00D940203S

(12) **United States Design Patent** (10) **Patent No.:** **US D940,203 S**
Hudnall et al. (45) **Date of Patent:** **** Jan. 4, 2022**

(54) **ADAPTER**

(71) Applicant: **Holley Performance Products, Inc.**,
Bowling Green, KY (US)

(72) Inventors: **Coy Hudnall**, Bowling Green, KY
(US); **Kevin Tracy**, Port Charlotte, FL
(US)

(73) Assignee: **Holley Performance Products, Inc.**,
Bowling Green, KY (US)

(**) Term: **15 Years**

(21) Appl. No.: **29/760,734**

(22) Filed: **Dec. 3, 2020**

Related U.S. Application Data

(62) Division of application No. 29/597,917, filed on Mar. 21, 2017.

(51) **LOC (13) Cl.** **15-01**

(52) **U.S. Cl.**
USPC **D15/5; D8/382**

(58) **Field of Classification Search**
USPC D15/3, 5; D8/382, 396; D23/266, 263,
D23/262

CPC B60K 13/06; F02M 21/0281; F02M
35/1034; F02M 35/10347; F02M
35/10354; F02M 35/10032; F02M
35/10019; F02M 35/10078; F02M
35/10085; F02M 35/10091; F02D
2007/025; F02D 2009/0206; F02D
2009/0255; F02D 2009/0298; F02D
2009/0205; F02D 2009/0254; F02D
2009/0276; F02D 2009/0283; F02D
2200/0404; F02D 9/08; F02D 19/0618;
F02D 41/004; F02B 2031/003

See application file for complete search history.

(56) **References Cited**

U.S. PATENT DOCUMENTS

| | | | |
|--------------|---------|----------------|---------|
| 2,854,278 A | 9/1958 | Zerhan | |
| D278,651 S * | 4/1985 | Hornak | D23/263 |
| 4,681,178 A | 7/1987 | Brown | |
| 4,802,902 A | 2/1989 | Bauerle et al. | |
| 4,826,411 A | 5/1989 | Gaeth | |
| 4,929,260 A | 5/1990 | Bauerle | |
| D371,138 S | 6/1996 | Waskiewicz | |
| D375,102 S * | 10/1996 | DeHimer | D15/5 |

(Continued)

FOREIGN PATENT DOCUMENTS

| | | |
|----|-----------|--------|
| AU | 201910220 | 3/2019 |
| AU | 201911579 | 4/2019 |

(Continued)

OTHER PUBLICATIONS

Design U.S. Appl. No. 29/597,917 entitled "Adapter" filed Mar. 21, 2017.

(Continued)

Primary Examiner — Holly E Thurman

Assistant Examiner — Ieisha N Price

(74) *Attorney, Agent, or Firm* — Middleton Reutlinger

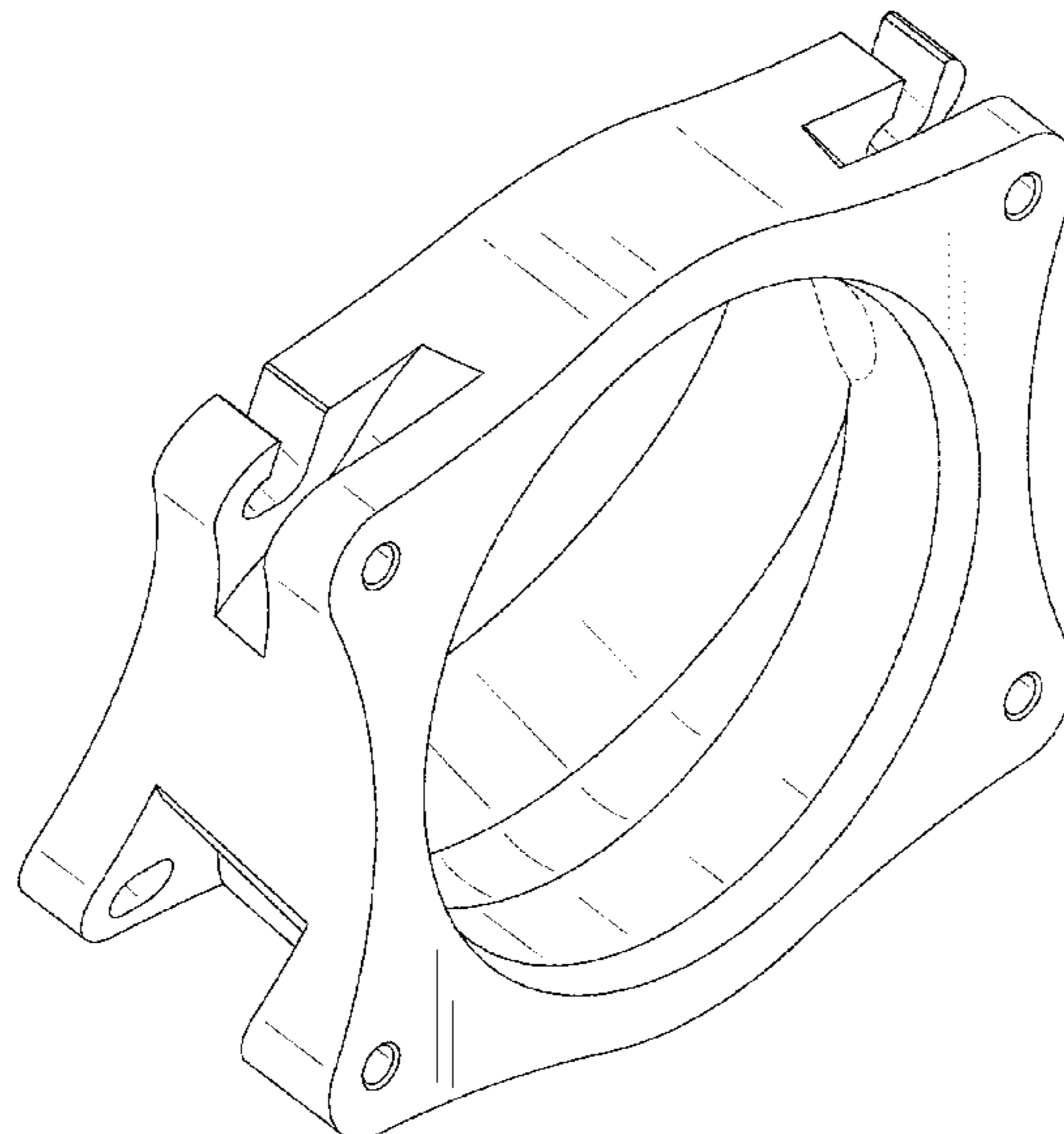
(57) **CLAIM**

The ornamental design for an adapter, as shown and described.

DESCRIPTION

FIG. 1 is a perspective view of an adapter;
FIG. 2 is a front view of the adapter of FIG. 1;
FIG. 3 is a rear view of the adapter of FIG. 1;
FIG. 4 is a right side of the adapter of FIG. 1;
FIG. 5 is a left side of the adapter of FIG. 1;
FIG. 6 is a top view of the adapter of FIG. 1; and,
FIG. 7 is a bottom view of the adapter of FIG. 1.

1 Claim, 7 Drawing Sheets



(56)

References Cited

U.S. PATENT DOCUMENTS

5,992,369 A * 11/1999 Mehne F02M 35/112
 123/184.21
 D532,081 S * 11/2006 Cimbura D23/233
 D532,082 S * 11/2006 Cimbura D23/233
 D565,118 S 3/2008 Luehne
 D574,852 S 8/2008 Grant
 7,533,661 B2 5/2009 Baasch
 D605,998 S 12/2009 McEwen
 D654,094 S 2/2012 Dralle
 8,453,617 B1 6/2013 Olson
 8,596,874 B2 12/2013 Shaikh
 D708,053 S * 7/2014 Marini D8/396
 D713,423 S 9/2014 Kimball
 D714,630 S 10/2014 Irgens
 D739,921 S 9/2015 Crochet
 D756,207 S * 5/2016 Tamilvel D8/382
 D802,628 S 11/2017 Fischetto
 9,861,922 B1 1/2018 Townsend
 D810,139 S 2/2018 Chan
 D812,100 S 3/2018 Litchfield
 10,385,811 B2 8/2019 Newman et al.
 D865,919 S 11/2019 Lippka
 D927,551 S 8/2021 Hudnall
 2003/0089870 A1 5/2003 Borasch
 2004/0154574 A1 8/2004 Menin
 2005/0045137 A1 3/2005 Schweiger
 2005/0183414 A1 8/2005 Bien
 2005/0188969 A1 9/2005 Wheeler
 2005/0263143 A1 * 12/2005 Matsuoka F02B 27/0252
 123/572
 2006/0191505 A1 8/2006 Doko
 2006/0254552 A1 11/2006 Brachos
 2009/0145406 A1 * 6/2009 Farrell F02M 69/043
 123/470
 2009/0241886 A1 10/2009 Kameda
 2012/0186552 A1 7/2012 Niakan
 2014/0311143 A1 10/2014 Speidel

2014/0352643 A1 12/2014 Clarke
 2016/0090954 A1 3/2016 Amann
 2016/0305380 A1 10/2016 Justice
 2016/0348624 A1 12/2016 Allard
 2017/0096976 A1 4/2017 Hall
 2017/0167451 A1 6/2017 Tomlinson
 2017/0260933 A1 * 9/2017 Watanabe F02M 26/19
 2017/0335809 A1 11/2017 Newman et al.

FOREIGN PATENT DOCUMENTS

AU 201911581 4/2019
 WO 2016070165 5/2016

OTHER PUBLICATIONS

U.S. Appl. No. 62/727,716 entitled "Pump Adapter" filed Sep. 6, 2018.
 Design U.S. Appl. No. 29/662,532 entitled "Pump Adapter" filed Sep. 6, 2018.
 Utility U.S. Appl. No. 16/553,619 entitled "Pump Adapter" filed Aug. 28, 2019.
 U.S. Appl. No. 62/872,520 entitled "Air Filter Adapter" filed Jul. 10, 2019.
 Radium Engineering, 20-0145 Fuel Pump Inlet Adapter Installation Instructions, Sep. 21, 2018 [publication date retrieved from Internet Wayback Machine on Oct. 8, 2019].
 www.efihardware.com, Walbro In Tank Fuel Pump Extension Kit, Mar. 31, 2015 [publication date retrieve from Internet Wayback Machine on Oct. 8, 2019].
 Design U.S. Appl. No. 29/658,294 entitled "Adapter" filed Jul. 30, 2018.
 Design U.S. Appl. No. 29/599,276 entitled "Air Intake Housing" filed Mar. 31, 2017.
 Design U.S. Appl. No. 29/583,805 entitled "Air Cleaner" filed Nov. 9, 2016.
 Design U.S. Appl. No. 29/599,278 entitled "Ornamental Component" filed Mar. 31, 2017.

* cited by examiner

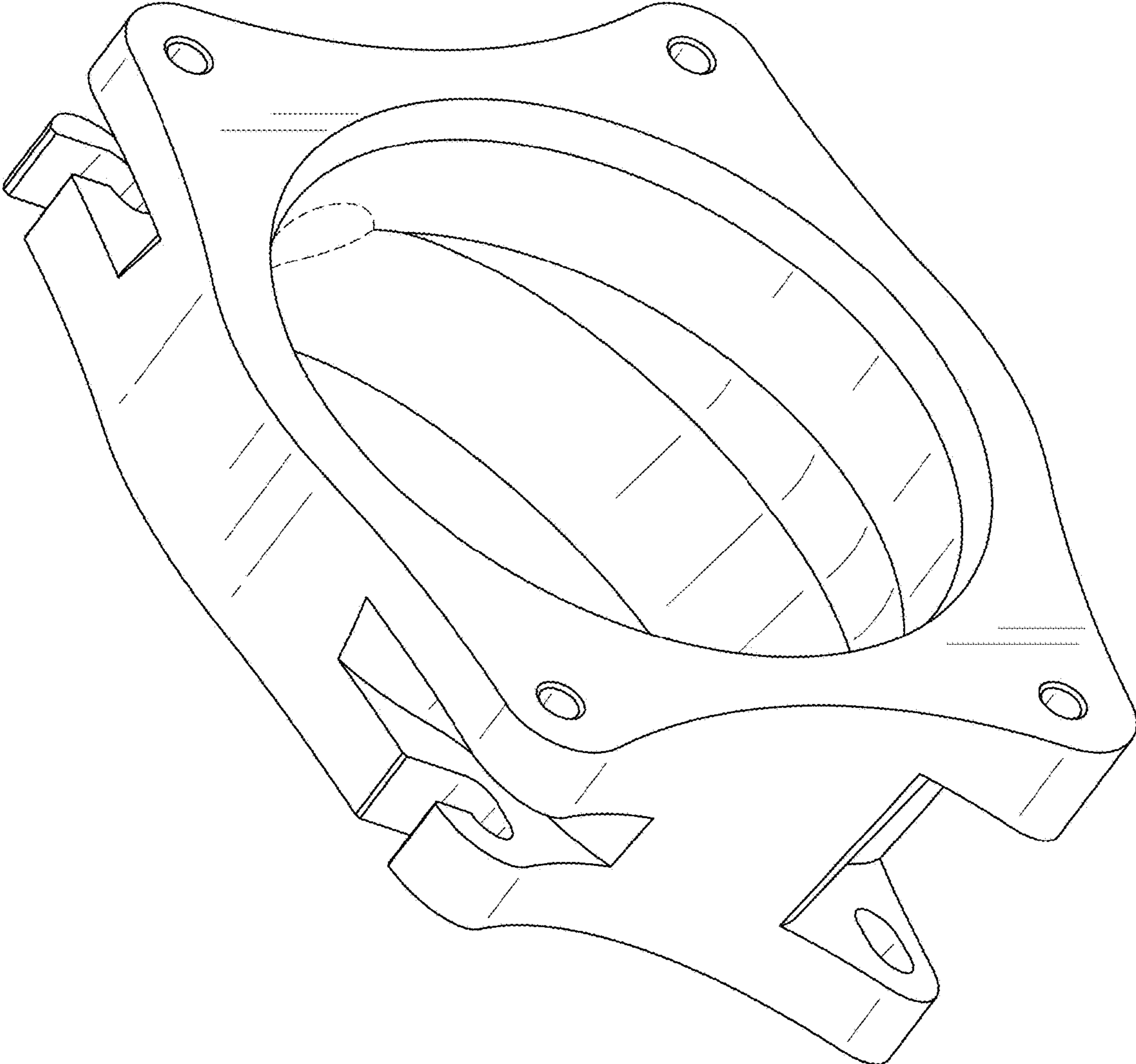


FIG. 1

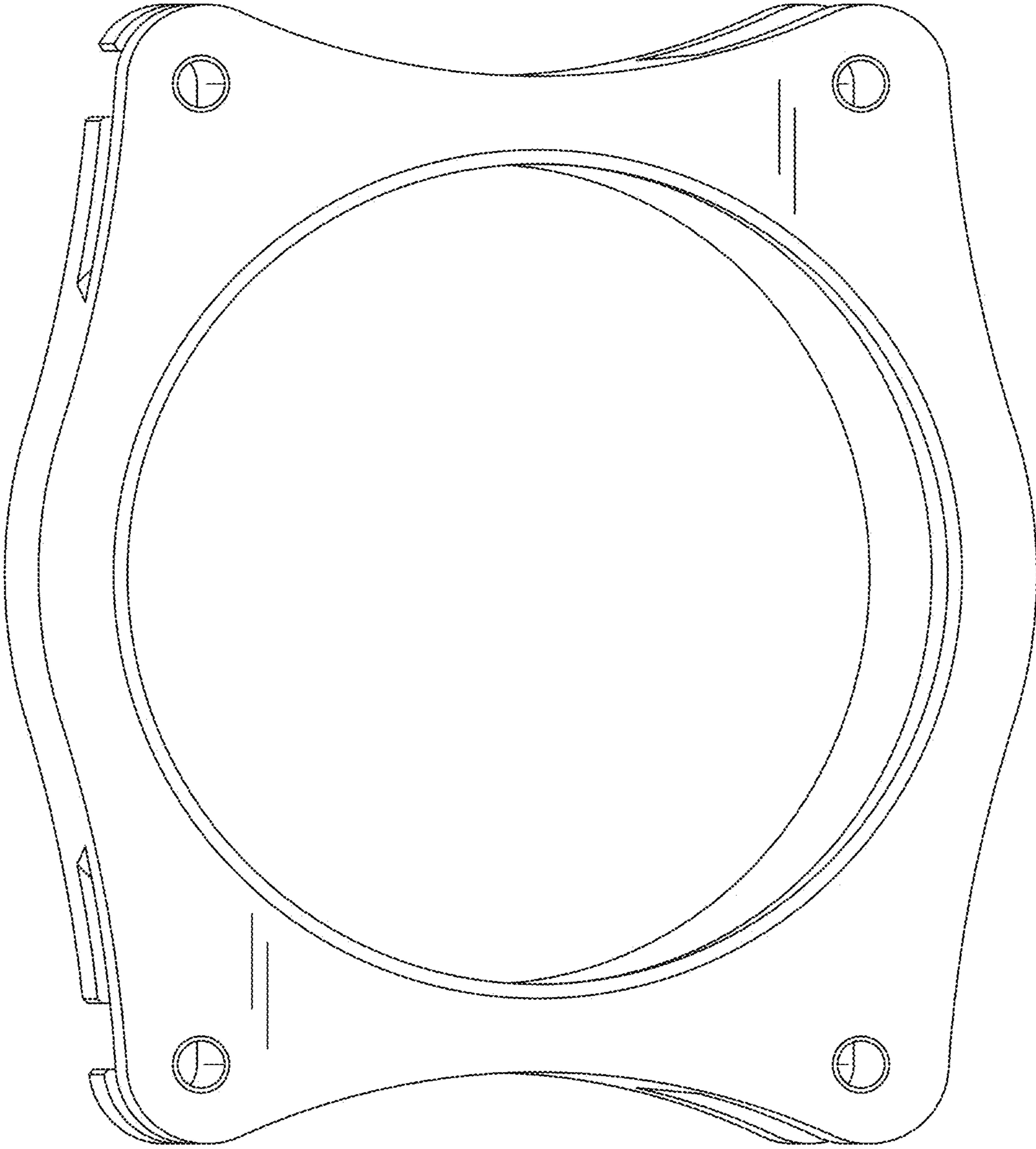


FIG. 2

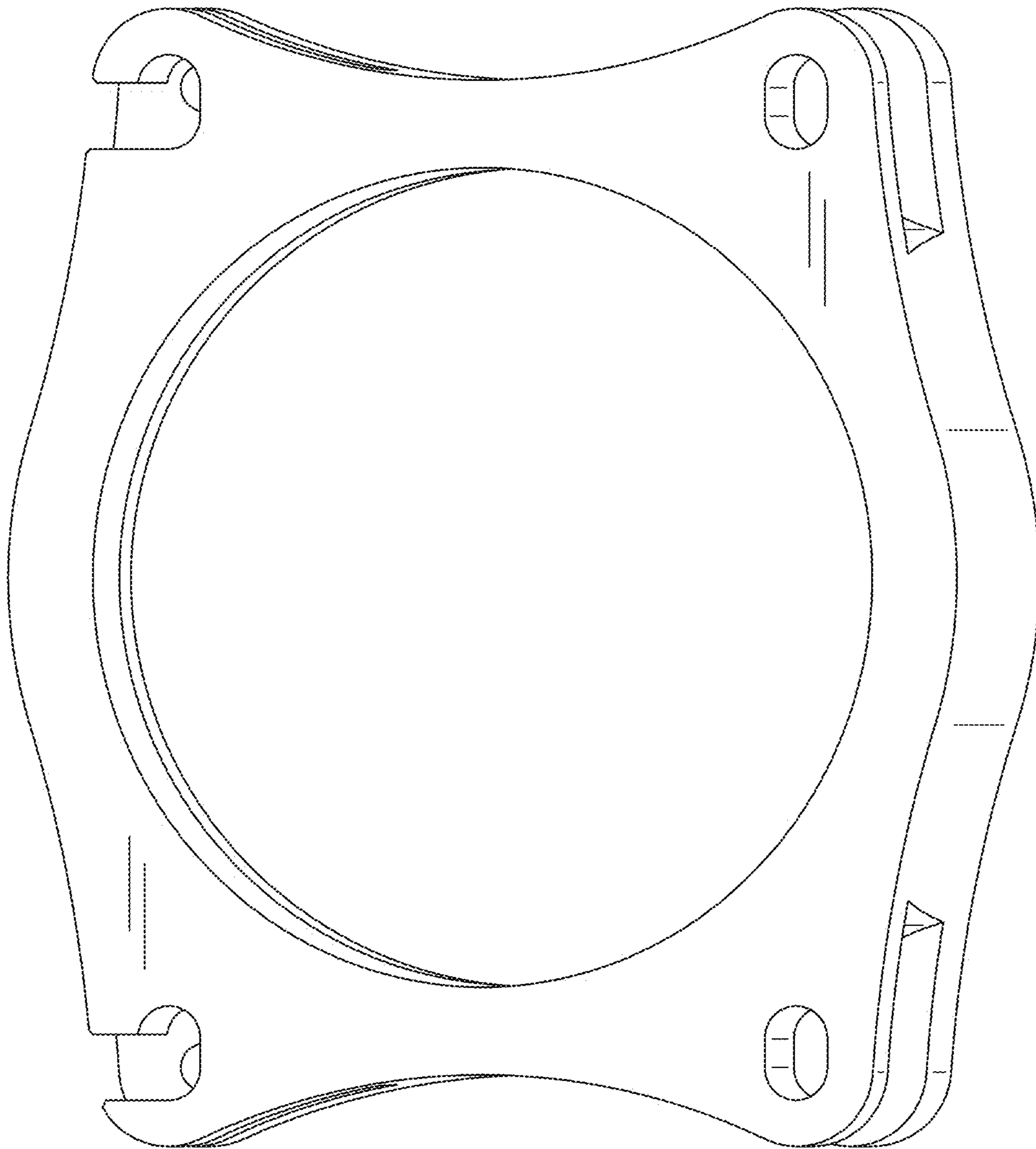


FIG. 3

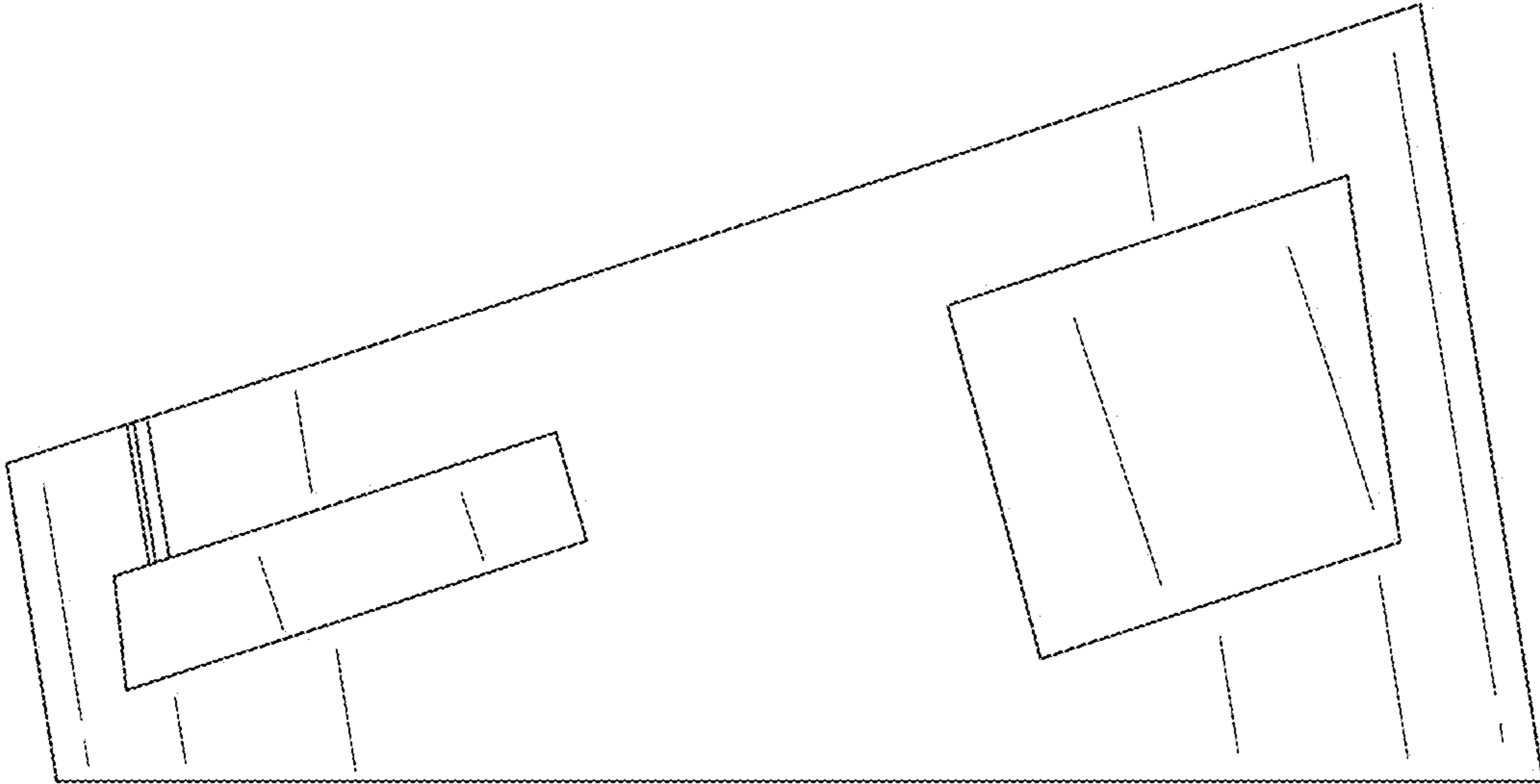


FIG. 4

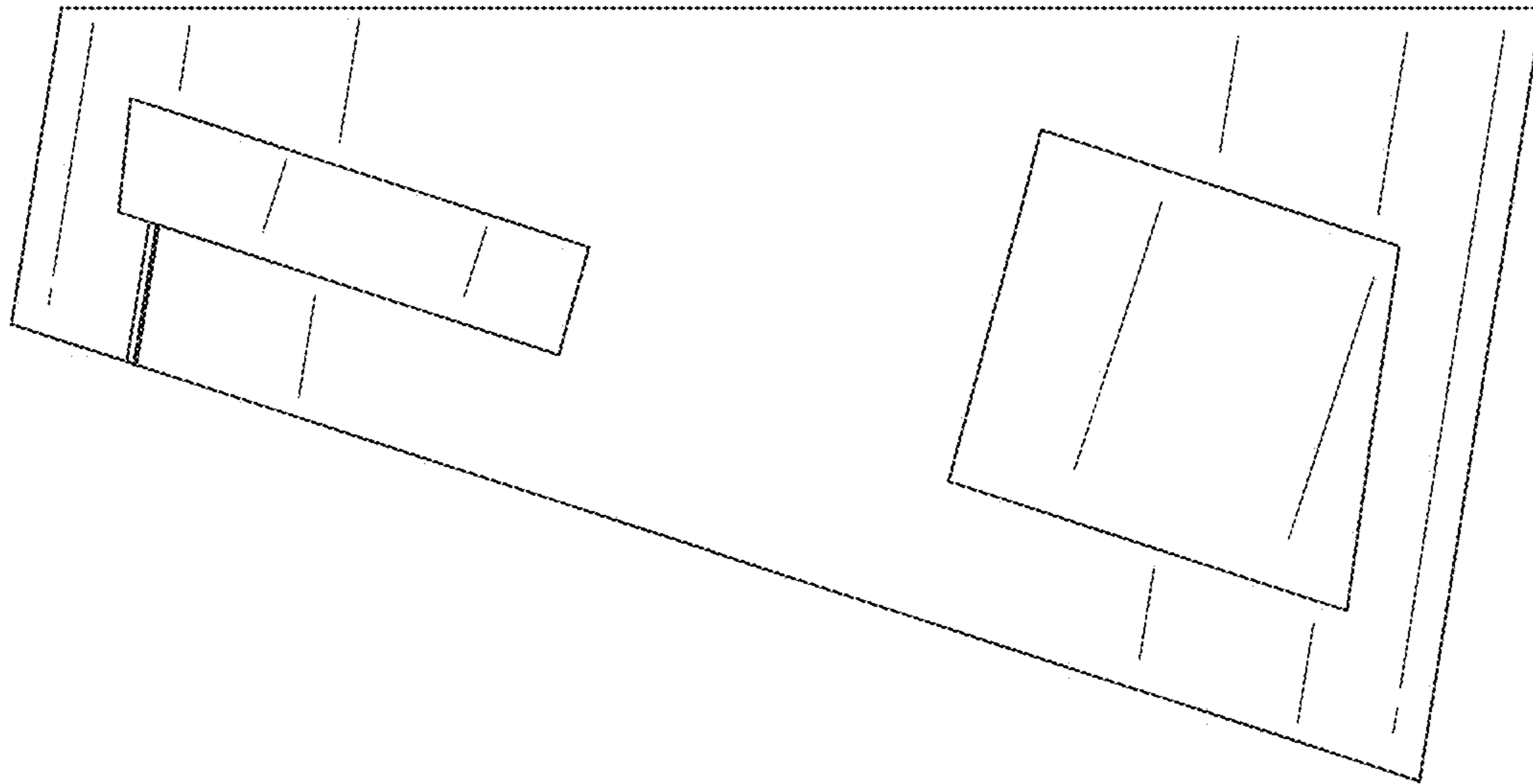


FIG. 5

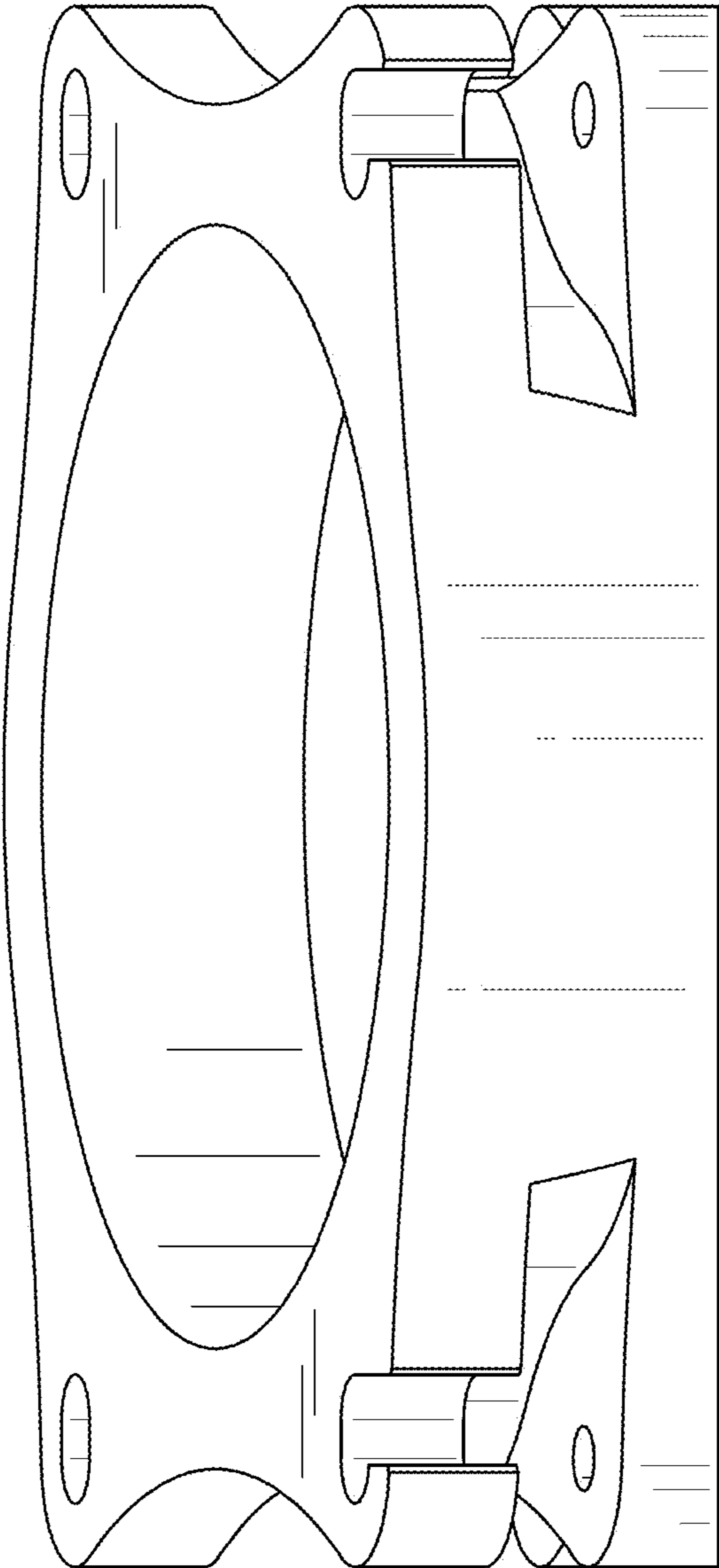


FIG. 6

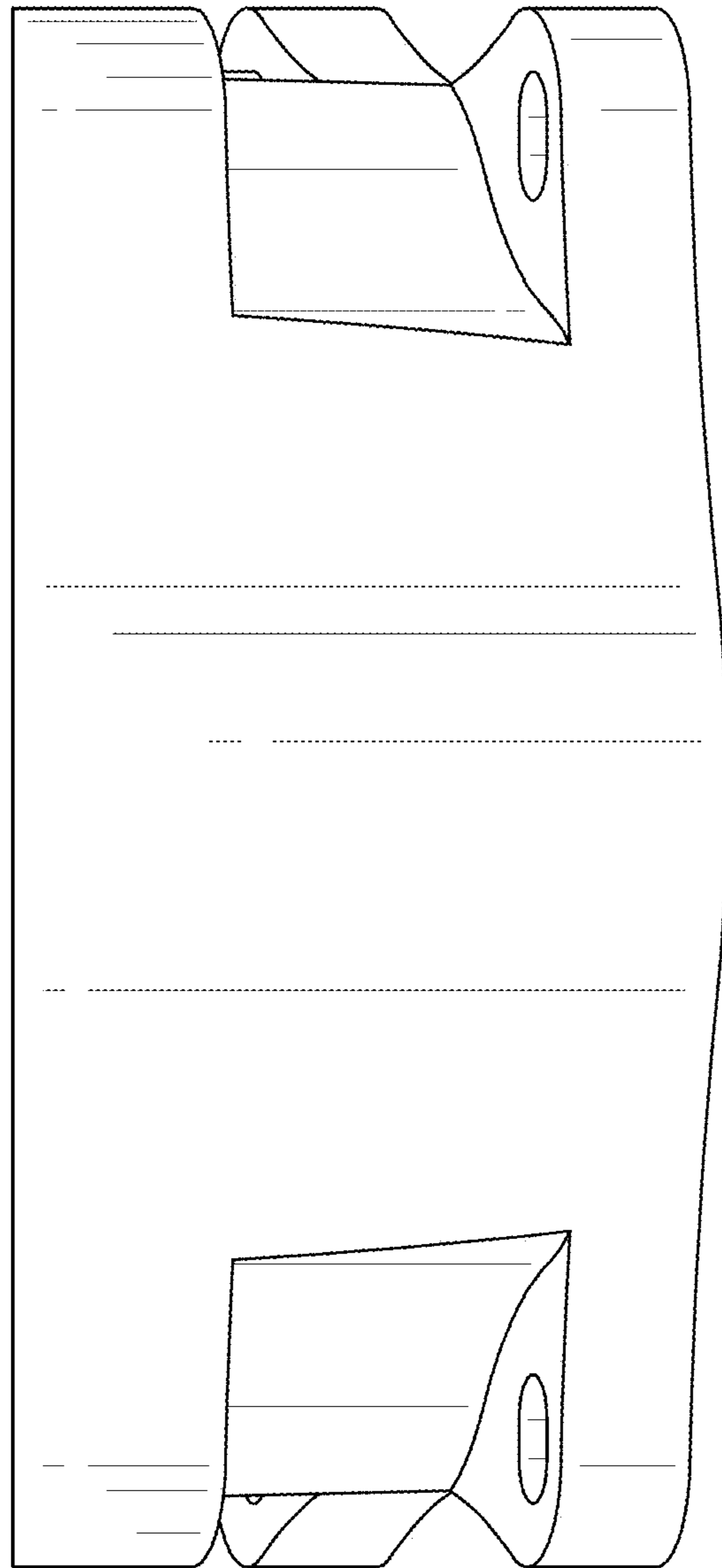


FIG. 7