



US00D940192S

(12) **United States Design Patent** (10) **Patent No.:** **US D940,192 S**
Chaudhri (45) **Date of Patent:** **** *Jan. 4, 2022**

(54) **DISPLAY SCREEN OR PORTION THEREOF WITH ICON**

(56) **References Cited**

- (71) Applicant: **Apple Inc.**, Cupertino, CA (US)
- (72) Inventor: **Imran Chaudhri**, San Francisco, CA (US)
- (73) Assignee: **Apple Inc.**, Cupertino, CA (US)
- (*) Notice: This patent is subject to a terminal disclaimer.
- (**) Term: **15 Years**
- (21) Appl. No.: **29/700,718**
- (22) Filed: **Aug. 5, 2019**

U.S. PATENT DOCUMENTS

D2,945 S	3/1868	Parker et al.	
D341,848 S *	11/1993	Bigelow	D14/492
D351,801 S *	10/1994	Ferra	D10/72
D393,848 S *	4/1998	Wanishi	D14/490
D406,124 S *	2/1999	Newton	D14/491
5,956,032 A *	9/1999	Argiolas	G06F 3/0481 715/798
D429,493 S *	8/2000	Bleizeffer	D14/489
D461,478 S	8/2002	Bungert	
D470,859 S *	2/2003	Lane	D14/489
D503,405 S *	3/2005	Peter	D14/489
D509,511 S *	9/2005	Hernandez	D14/489
D521,021 S *	5/2006	Butcher	D14/492
D536,001 S *	1/2007	Armstrong	D14/490
D539,810 S *	4/2007	Cummins	D14/489
D557,703 S *	12/2007	Viegers	D14/489
7,360,172 B2	4/2008	Grossman et al.	
D570,861 S *	6/2008	Sadler	D14/486

(Continued)

Related U.S. Application Data

- (63) Continuation of application No. 29/487,223, filed on Apr. 7, 2014, now Pat. No. Des. 855,647, which is a continuation of application No. 29/419,604, filed on Apr. 30, 2012, now Pat. No. Des. 702,710, which is a continuation of application No. 29/359,260, filed on Apr. 7, 2010, now Pat. No. Des. 660,868.
- (51) **LOC (13) Cl.** **14-04**
- (52) **U.S. Cl.**
USPC **D14/489**
- (58) **Field of Classification Search**
USPC D14/485-95
CPC .. G06F 3/0481; G06F 3/0482; G06F 3/04812; G06F 3/04817; G06F 3/0484; G06F 3/0485; G06F 3/048; G06F 3/0487; G06F 3/0488; G06F 3/04883; G06F 3/04886; G06F 3/0489; G06F 3/0486; G06F 3/04842; G06F 3/04845; G06F 3/04847
See application file for complete search history.

OTHER PUBLICATIONS

https://www.iconfinder.com/icons/39845/poof_icon (Year: 2009).*
(Continued)

Primary Examiner — Melanie H Tung
(74) *Attorney, Agent, or Firm* — Sterne, Kessler, Goldstein & Fox P.L.L.C.

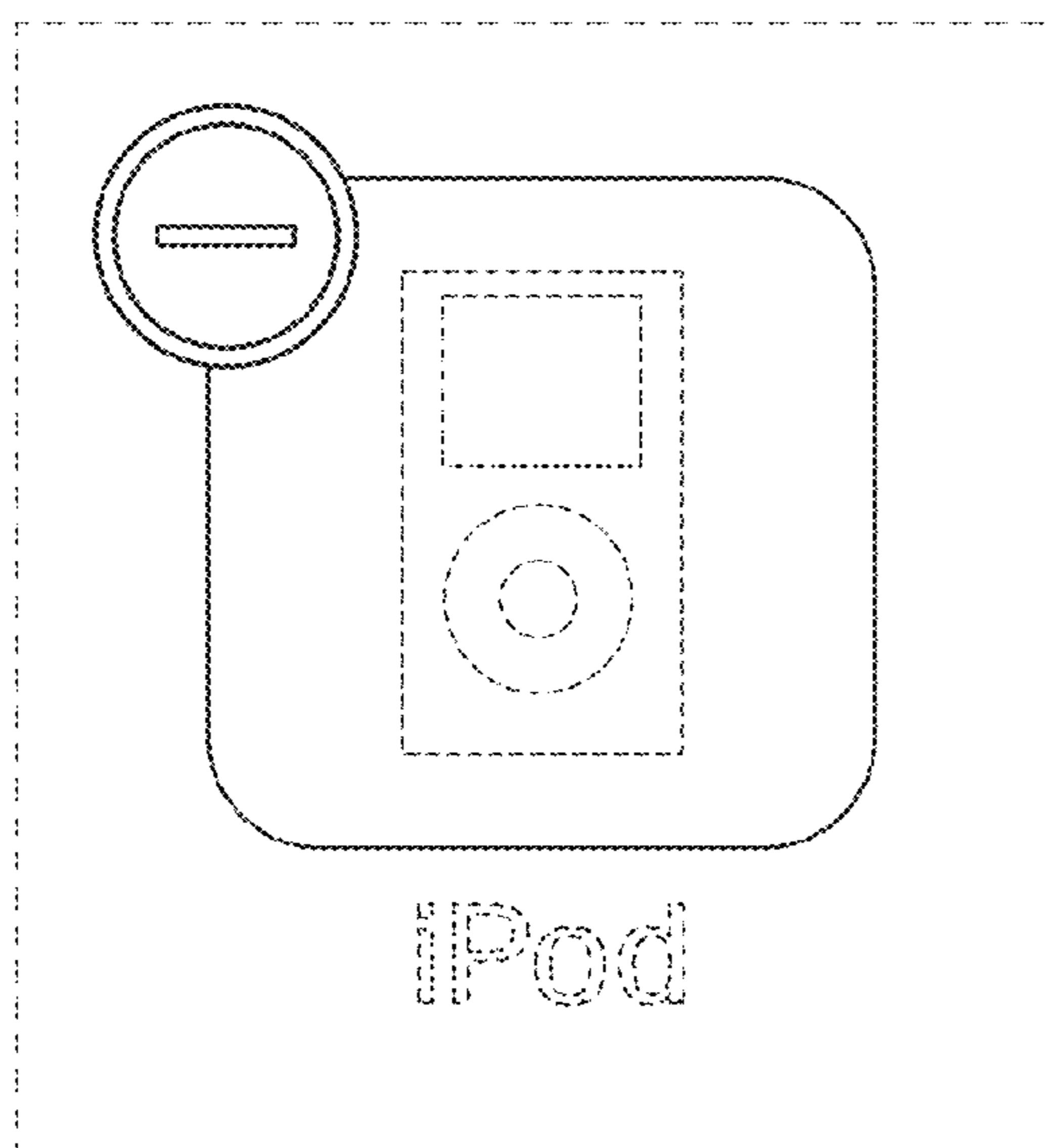
(57) **CLAIM**

The ornamental design for a display screen or portion thereof with icon, as shown and described.

DESCRIPTION

The FIGURE is a front view of a display screen or portion thereof with icon showing the claimed design. The outermost broken lines in the FIGURE show a display screen or portion thereof, and form no part of the claimed design. The other broken lines in the FIGURE show portions of the icon that form no part of the claimed design.

1 Claim, 1 Drawing Sheet



(56)

References Cited

U.S. PATENT DOCUMENTS

D579,948 S * 11/2008 Marmier D14/488
 D593,571 S 6/2009 Ball et al.
 D595,728 S * 7/2009 Scheibe D14/486
 D597,101 S 7/2009 Chaudhri et al.
 D604,305 S 11/2009 Anzures et al.
 7,676,767 B2 * 3/2010 Hofmeister G06F 3/0483
 715/863
 D629,814 S 12/2010 Lew
 7,940,250 B2 5/2011 Forstall
 D640,269 S 6/2011 Chen
 D642,196 S 7/2011 Fong et al.
 D651,215 S 12/2011 Anzures et al.
 D651,610 S 1/2012 Anzures et al.
 D652,426 S 1/2012 Anzures et al.
 D659,153 S 5/2012 Thoresson et al.
 D660,315 S 5/2012 Anzures
 D667,840 S 9/2012 Anzures et al.
 D668,670 S 10/2012 Gupta et al.
 D669,092 S 10/2012 Anzures
 D669,496 S 10/2012 Vance et al.
 D677,690 S 3/2013 Phelan
 D678,901 S 3/2013 Gleasman
 D680,125 S 4/2013 Chaudhri et al.
 D680,131 S 4/2013 Anzures
 D684,182 S 6/2013 Phelan
 D688,699 S 8/2013 Gleasman
 D689,095 S 9/2013 Nagaoka et al.
 D690,319 S 9/2013 Wenz et al.
 D692,904 S 11/2013 Gam et al.
 D694,778 S 12/2013 Gyllensward
 D695,309 S 12/2013 Lee
 D695,311 S 12/2013 Jang et al.
 D697,531 S 1/2014 Phelan
 D701,530 S 3/2014 Glaeske
 D702,700 S 4/2014 Thompson et al.
 D702,721 S 4/2014 Abratowski et al.
 D705,812 S 5/2014 Gerssen et al.
 D706,823 S 6/2014 Abratowski et al.
 D707,235 S 6/2014 Arnold et al.
 D707,691 S 6/2014 Roberts et al.
 D708,624 S 7/2014 Arnold et al.
 D709,086 S 7/2014 Baumann
 D709,092 S 7/2014 Mariet et al.
 D710,884 S 8/2014 Winther et al.
 D711,915 S 8/2014 Wong
 8,832,585 B2 9/2014 Missig et al.
 D715,833 S * 10/2014 Rebstock D14/488
 D716,344 S 10/2014 Anzures
 D717,830 S 11/2014 Brinda et al.
 D721,731 S 1/2015 Jon
 8,933,890 B2 1/2015 Lampell et al.
 D724,617 S 3/2015 Shin et al.
 D724,621 S 3/2015 Rydenhag et al.
 D725,670 S 3/2015 Zhang et al.
 D727,960 S 4/2015 Chaudhri et al.
 D730,396 S 5/2015 Yoo et al.
 D731,532 S 6/2015 Kim et al.
 D736,830 S 8/2015 Lyman et al.
 D737,279 S 8/2015 Taniuchi et al.
 D737,324 S 8/2015 Teichner et al.
 D737,854 S 9/2015 Kim et al.
 D740,304 S 10/2015 Maclean
 D740,318 S 10/2015 Chaudhri
 D740,854 S 10/2015 Murali et al.
 D741,877 S 10/2015 Torres et al.
 D741,906 S 10/2015 Bobrovnichiy et al.
 D743,440 S 11/2015 Bachman et al.
 D745,050 S 12/2015 Kwon
 D746,849 S 1/2016 Anzures et al.
 D750,645 S 3/2016 Jitkoff et al.
 D753,702 S * 4/2016 Zhou D14/488
 D755,840 S 5/2016 Odemchuk et al.
 D758,380 S 6/2016 Park et al.
 D759,071 S * 6/2016 Yu D14/486
 D764,541 S * 8/2016 Huang D14/489

D765,664 S 9/2016 Taniuchi et al.
 D768,147 S 10/2016 Yoo et al.
 D772,244 S 11/2016 Jon
 D772,250 S 11/2016 Kohan et al.
 D772,297 S * 11/2016 Chaudhri D14/492
 D772,924 S * 11/2016 Begin F16M 13/022
 D14/488
 D776,124 S 1/2017 Lee et al.
 D779,508 S 2/2017 Vulk et al.
 D788,789 S 6/2017 Pickering et al.
 D791,174 S * 7/2017 Hart D14/488
 D794,674 S 8/2017 Brush
 D795,294 S 8/2017 Faulkner et al.
 D795,891 S 8/2017 Kohan et al.
 D798,316 S 9/2017 Bradley et al.
 D798,321 S * 9/2017 Lieb D14/486
 D798,334 S 9/2017 Dye et al.
 D800,171 S 10/2017 Hemsley
 D801,385 S 10/2017 Bradley et al.
 D802,603 S 11/2017 Bickel et al.
 D802,607 S 11/2017 Apodaca et al.
 D806,717 S 1/2018 Bae et al.
 D809,006 S 1/2018 Mehta et al.
 D812,072 S 3/2018 Hoffman
 D814,505 S 4/2018 Amaravadi et al.
 D815,111 S 4/2018 Ksiezopolski et al.
 D815,115 S 4/2018 Rapp
 D832,887 S * 11/2018 Feldman D14/491
 D834,598 S * 11/2018 Bae D14/485
 D835,657 S * 12/2018 Anzures D14/486
 D844,026 S * 3/2019 Wang D14/489
 D846,593 S 4/2019 Anzures et al.
 D851,654 S * 6/2019 Bae D14/485
 D857,747 S * 8/2019 Chen D14/492
 D861,032 S * 9/2019 Amaravadi D14/488
 D863,332 S * 10/2019 Choi D14/486
 D889,481 S * 7/2020 Bae D14/485
 D910,707 S * 2/2021 Pazmino D14/492
 2004/0054985 A1 3/2004 Sewell
 2005/0240878 A1 * 10/2005 Anthony G06F 3/04817
 715/765
 2006/0101350 A1 * 5/2006 Scott G06F 3/04817
 715/779
 2006/0112335 A1 5/2006 Hofmeister et al.
 2006/0135220 A1 6/2006 Kim et al.
 2006/0190833 A1 8/2006 SanGiovanni et al.
 2010/0107056 A1 4/2010 Underhill et al.
 2012/0030623 A1 2/2012 Hoellwarth
 2013/0268877 A1 10/2013 Han et al.
 2014/0068448 A1 * 3/2014 Plost G06Q 50/02
 715/738
 2014/0195953 A1 7/2014 Sakai et al.
 2014/0245176 A1 8/2014 Murali et al.
 2015/0370529 A1 12/2015 Zambetti et al.
 2016/0299659 A1 10/2016 Anderson et al.
 2017/0235462 A1 8/2017 Zhou

OTHER PUBLICATIONS

https://www.iconfinder.com/icons/1452587/communication_essential_interaction_notification_icon (Year: 2016).
 Trademark application serial No. 73485153 (Year: 1984).
 Trademark application serial No. 75010151 (Year: 1995).
 Trademark application serial No. 78271996 (Year: 2003).
 Trademark application serial No. 73087609 (Year: 1976).
 Trademark application serial No. 76231889 (Year: 2001).
 Trademark application serial No. 7690249 (Year: 2003).
 Trademark application serial No. 78689489 (Year: 2005).
 Henry Dreyfuss, Symbol Sourcebook, Van Nostrand Reinhold Co., p. 169, copyright 1972 (Year: 1972).
 Iphonehacks, "Here's What's New in Notifications in iOS 6", posted Sep. 20, 2012, iPhoneHacks, [site visited Apr. 8, 2016]. Available from Internet: <<http://www.iphonehacks.com/2012/09/ios-6-notifications.html>>.
 Registered Trademark Serial No. 85/287,146, Apple Inc., filed Apr. 5, 2011, first use date: Sep. 1, 2010.

(56)

References Cited

OTHER PUBLICATIONS

Seifert, Dan, "iOS 6 review", posted Sep. 21, 2012, The Verge, [site visited Apr. 8, 2016]. Available from Internet: <<http://www.theverge.com/2012/9/21/3363060/ios-6-review>>.

Bug Fix Espier Notification iOS7 apk, announced Aug. 4, 2013 [online], [site visited Feb. 10, 2017]. Available from Internet, URL:<<http://beyonceapregnantpictures.blogspot.com/2013/08/bug-fix-espier-notification-ios7-apk.html>>.

Notification, notifications icon, announced Aug. 21, 2013 [online], [site visited Feb. 10, 2017]. Available from Internet, URL:<<https://www.iconfinder.com/iconsets/1ightly-icons>>.

* cited by examiner

