

US00D940147S

(12) **United States Design Patent**
Yang

(10) **Patent No.:** **US D940,147 S**

(45) **Date of Patent:** **** Jan. 4, 2022**

(54) **NOTEBOOK STAND**

(71) Applicant: **SHENZHEN GREEN GIANT TECHNOLOGY DEVELOPMENT CO., LTD.**, Shenzhen (CN)

(72) Inventor: **Xiaoming Yang**, Shenzhen (CN)

(73) Assignee: **SHENZHEN GREEN GIANT TECHNOLOGY DEVELOPMENT CO., LTD.**, Shenzhen (CN)

(**) Term: **15 Years**

(21) Appl. No.: **29/753,557**

(22) Filed: **Sep. 30, 2020**

(51) **LOC (13) Cl.** **08-07**

(52) **U.S. Cl.**
USPC **D14/447**

(58) **Field of Classification Search**
USPC D14/447, 432, 434, 439, 440, 451, 452,
D14/457, 239, 253; D8/363, 373, 380;
D6/406.3, 406.4, 406.5, 406.6; D12/415
CPC A45C 2011/002; A45C 2011/003; F16M
2200/00; F16M 13/00; A47B 21/04;
A47B 2097/006; A47B 2097/005; A47B
2023/049

See application file for complete search history.

(56) **References Cited**

U.S. PATENT DOCUMENTS

D589,964 S * 4/2009 Heggland D14/434
D788,780 S 6/2017 Chen

D792,417 S * 7/2017 Xiang D14/447
D894,195 S 8/2020 Chen
D903,689 S * 12/2020 Zheng D14/447
D907,640 S * 1/2021 Huang D14/447
D907,644 S * 1/2021 Li D14/447
D920,338 S * 5/2021 Chen D14/447
D923,631 S * 6/2021 Chen D14/447
D923,632 S * 6/2021 Li D14/447
D928,790 S * 8/2021 Hong D14/447

* cited by examiner

Primary Examiner — Angela J Lee

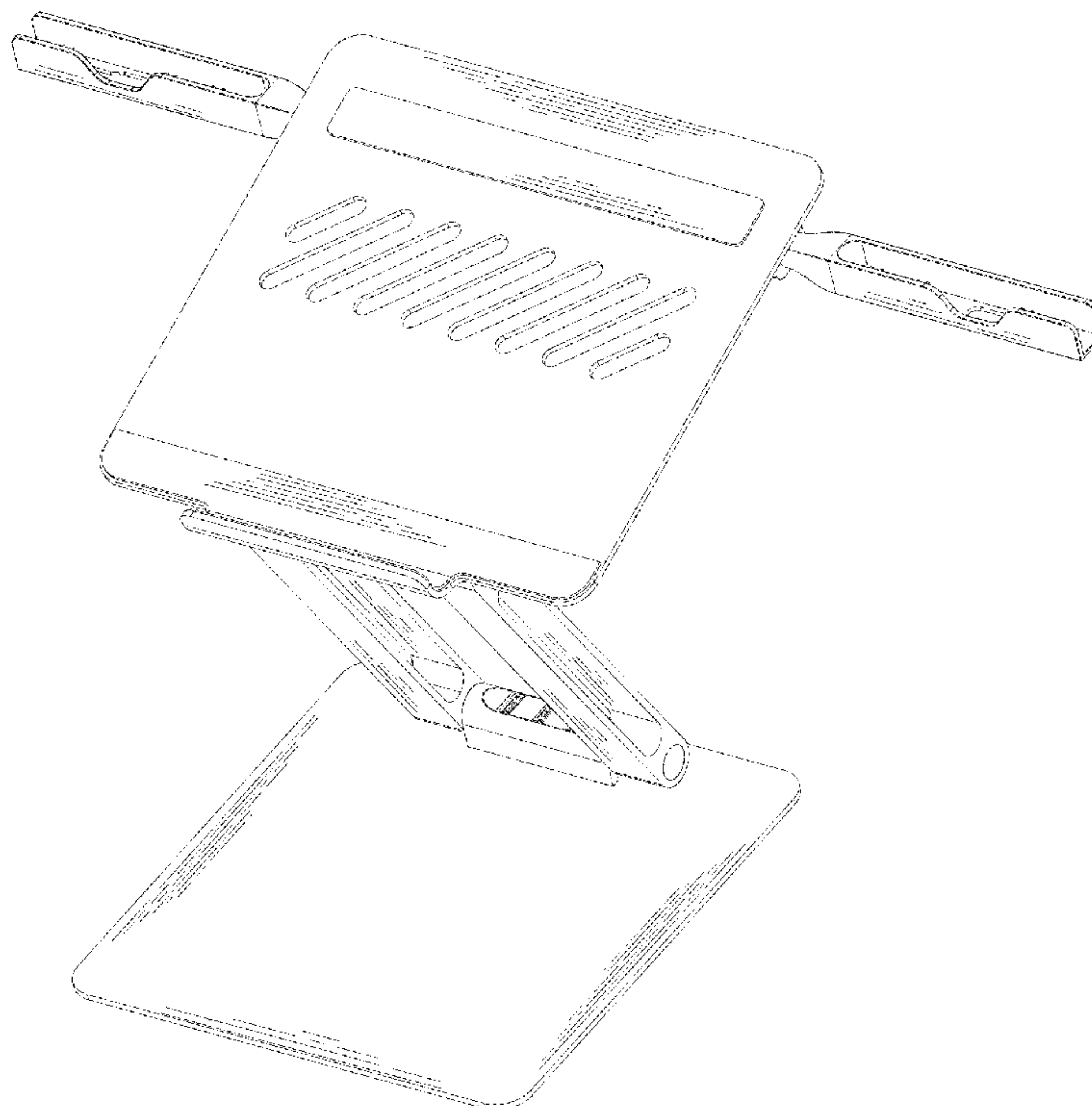
(57) **CLAIM**

The ornamental design for a notebook stand, as shown and described.

DESCRIPTION

FIG. 1 is a perspective view of a notebook stand showing my new design;
FIG. 2 is another perspective view thereof;
FIG. 3 is a front elevational view thereof;
FIG. 4 is a rear elevational view thereof;
FIG. 5 is a left side elevational view thereof;
FIG. 6 is a right side elevational view thereof;
FIG. 7 is a top plan view thereof; and,
FIG. 8 is a bottom plan view thereof.

1 Claim, 8 Drawing Sheets



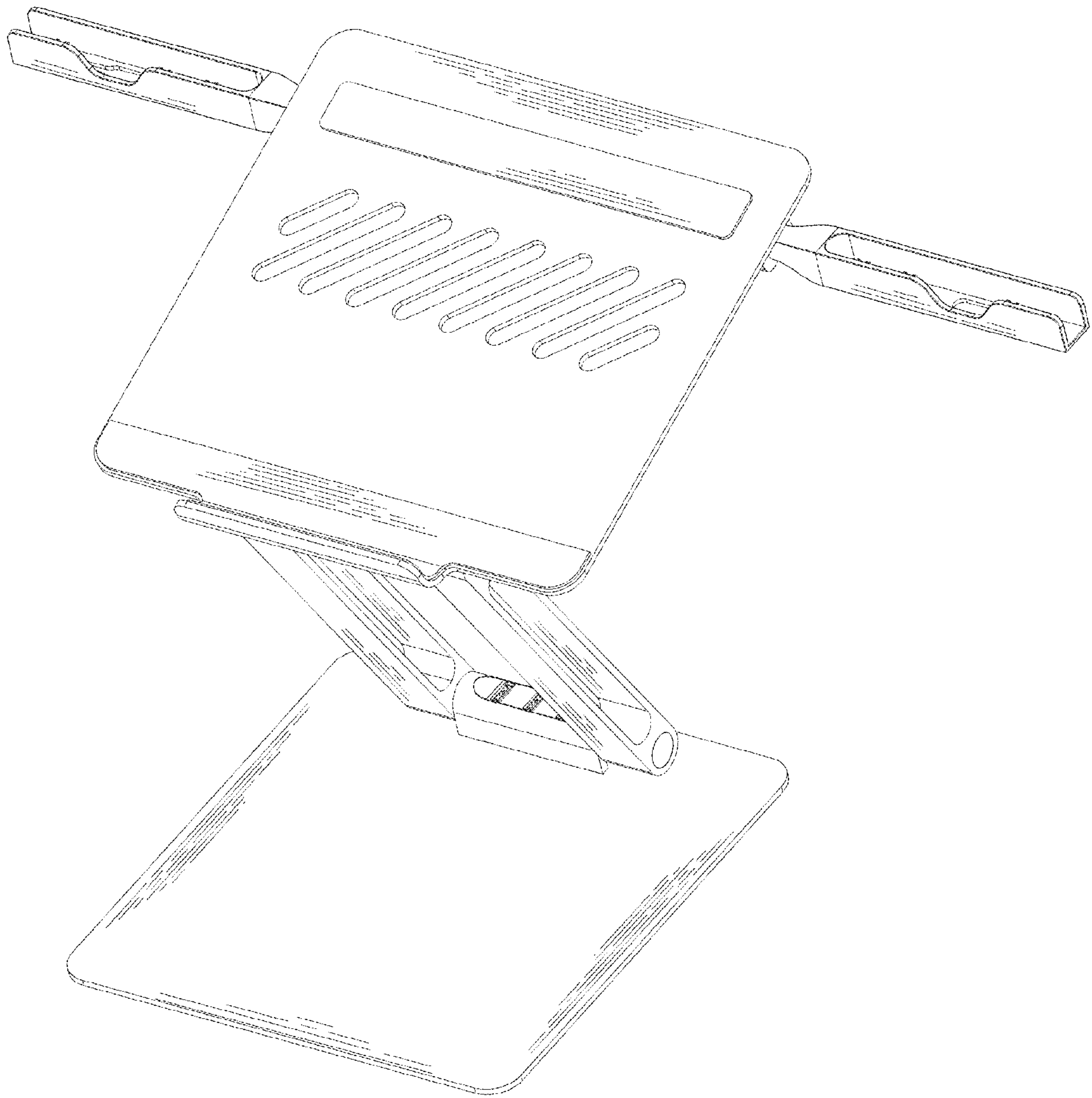


FIG. 1

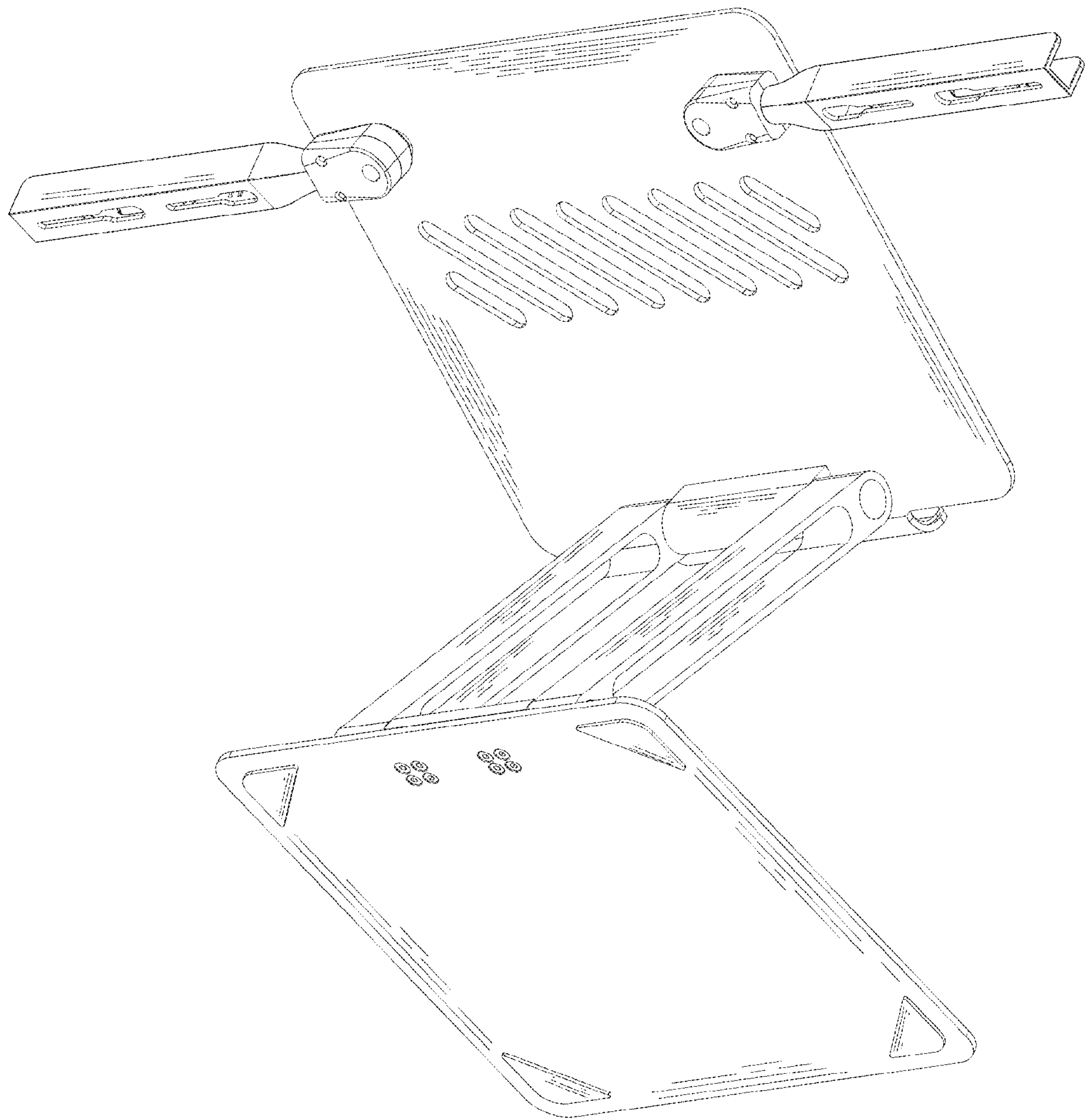


FIG. 2

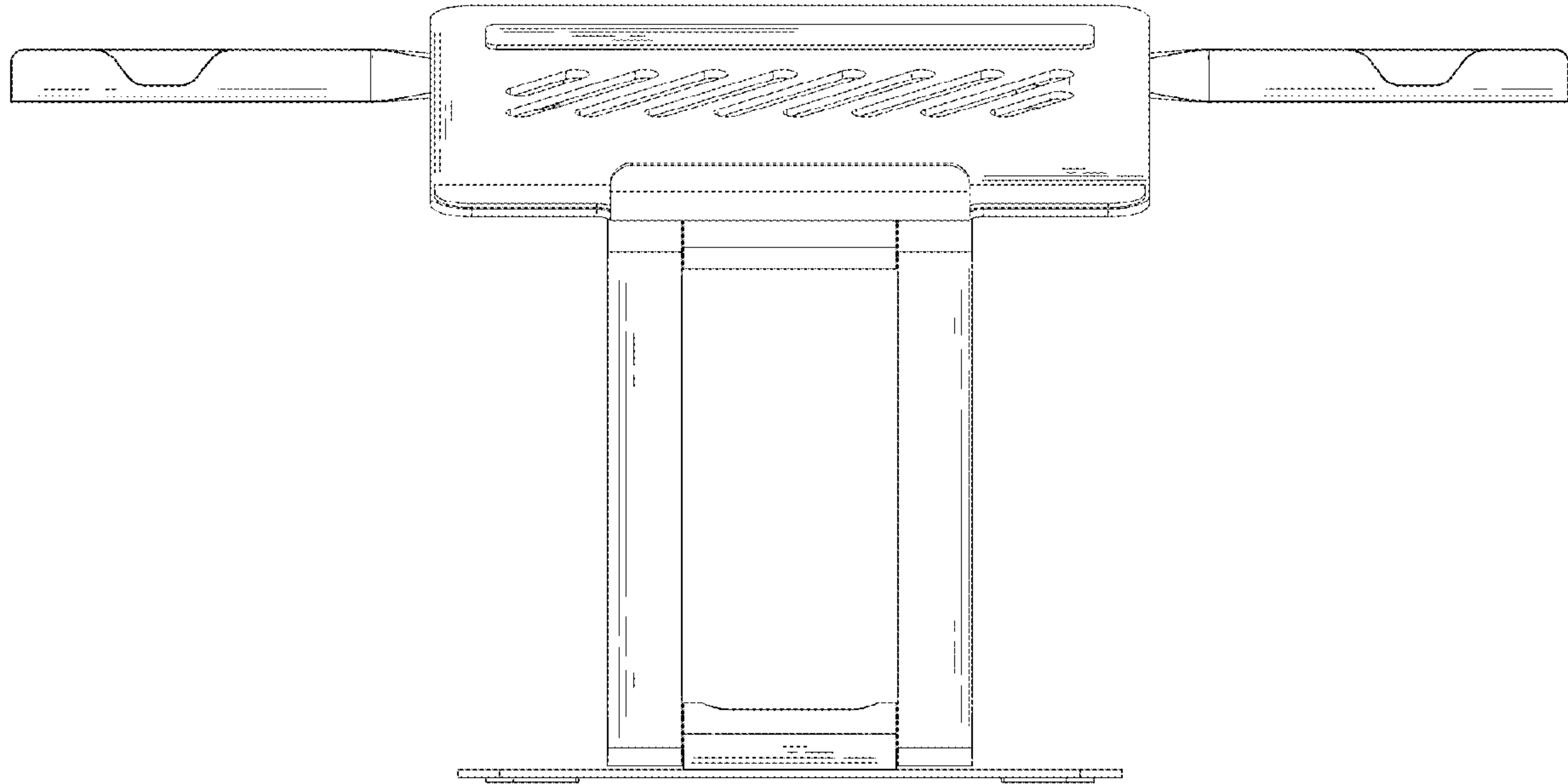


FIG. 3

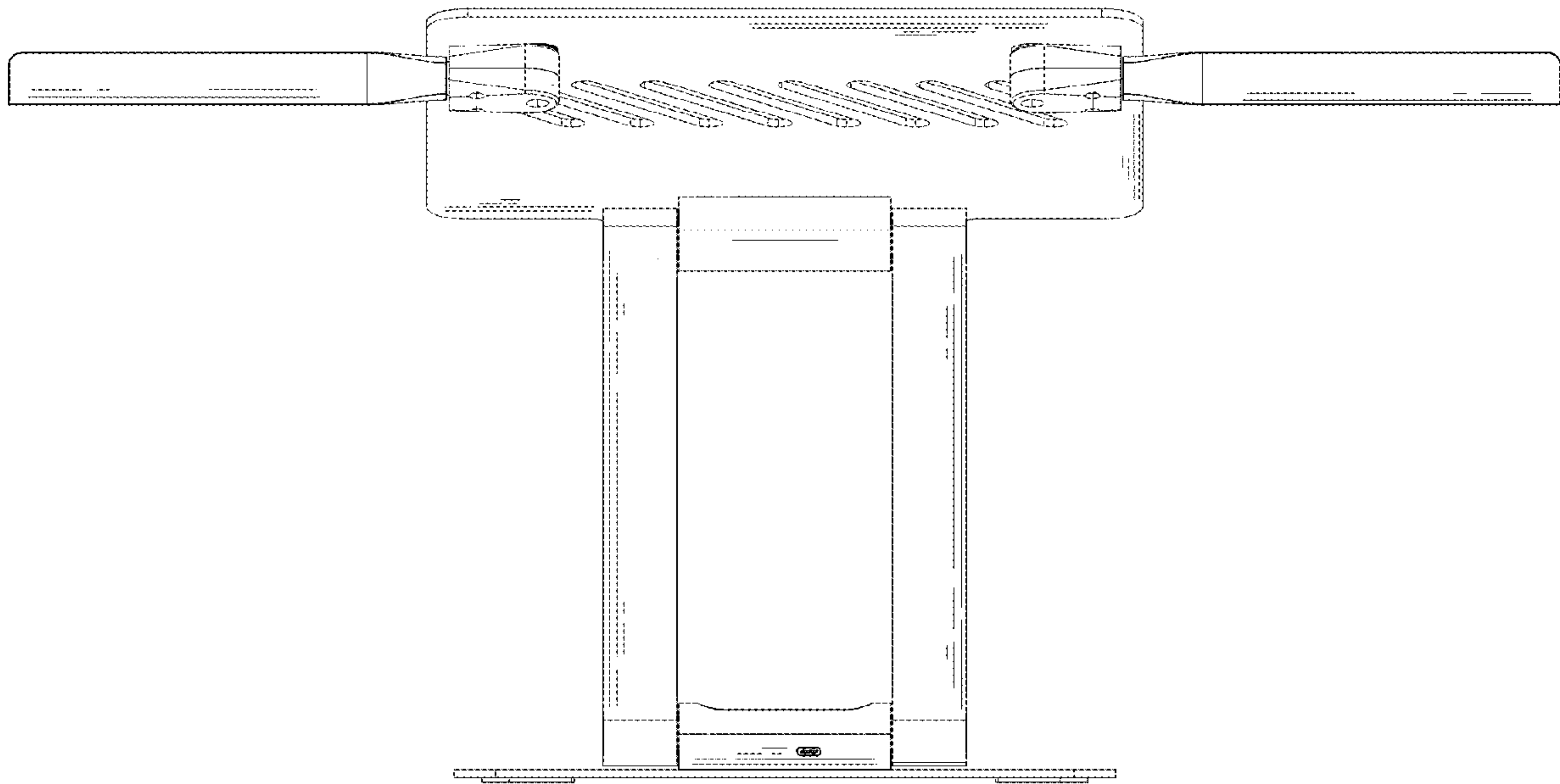


FIG. 4

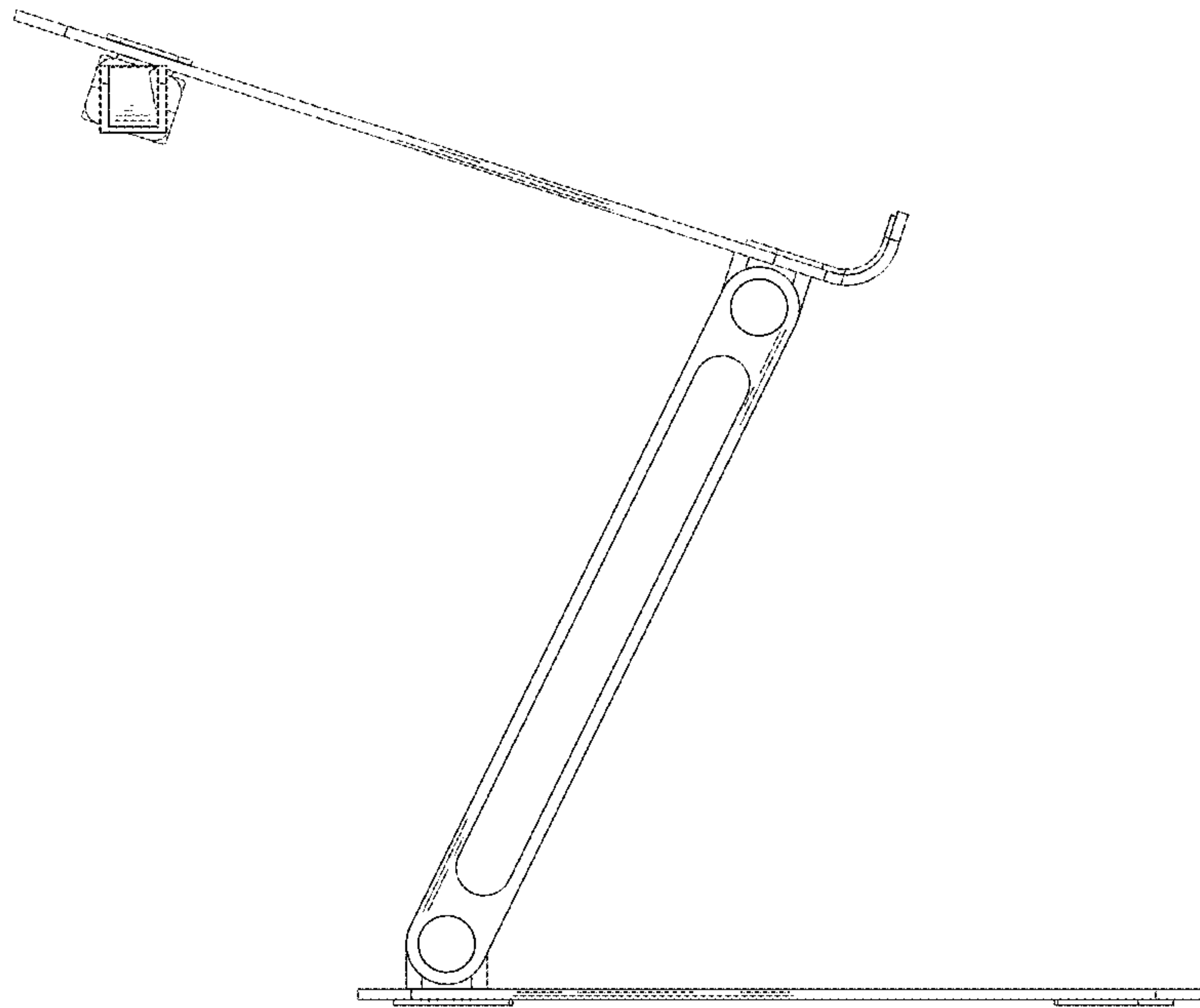


FIG. 5

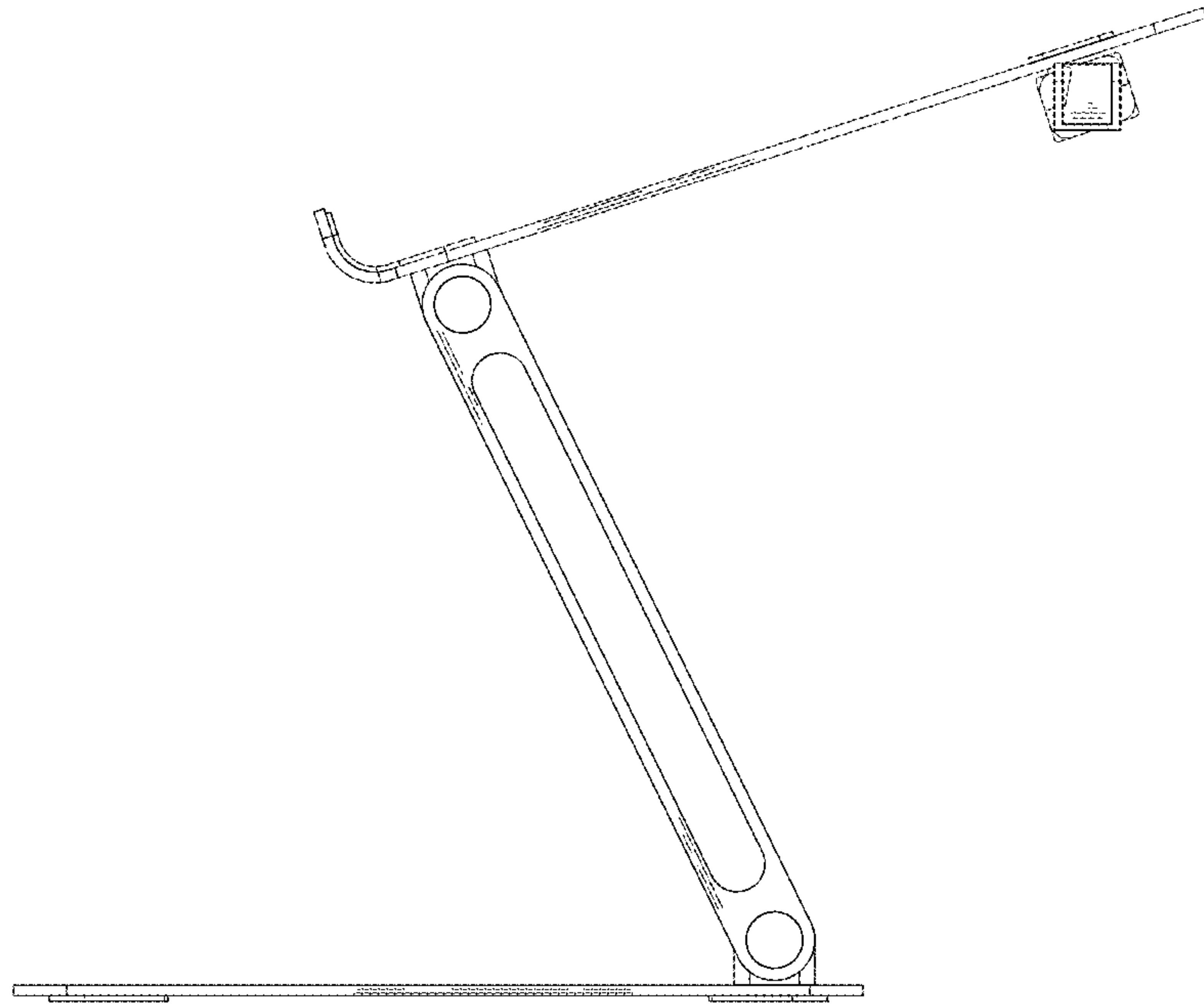


FIG. 6

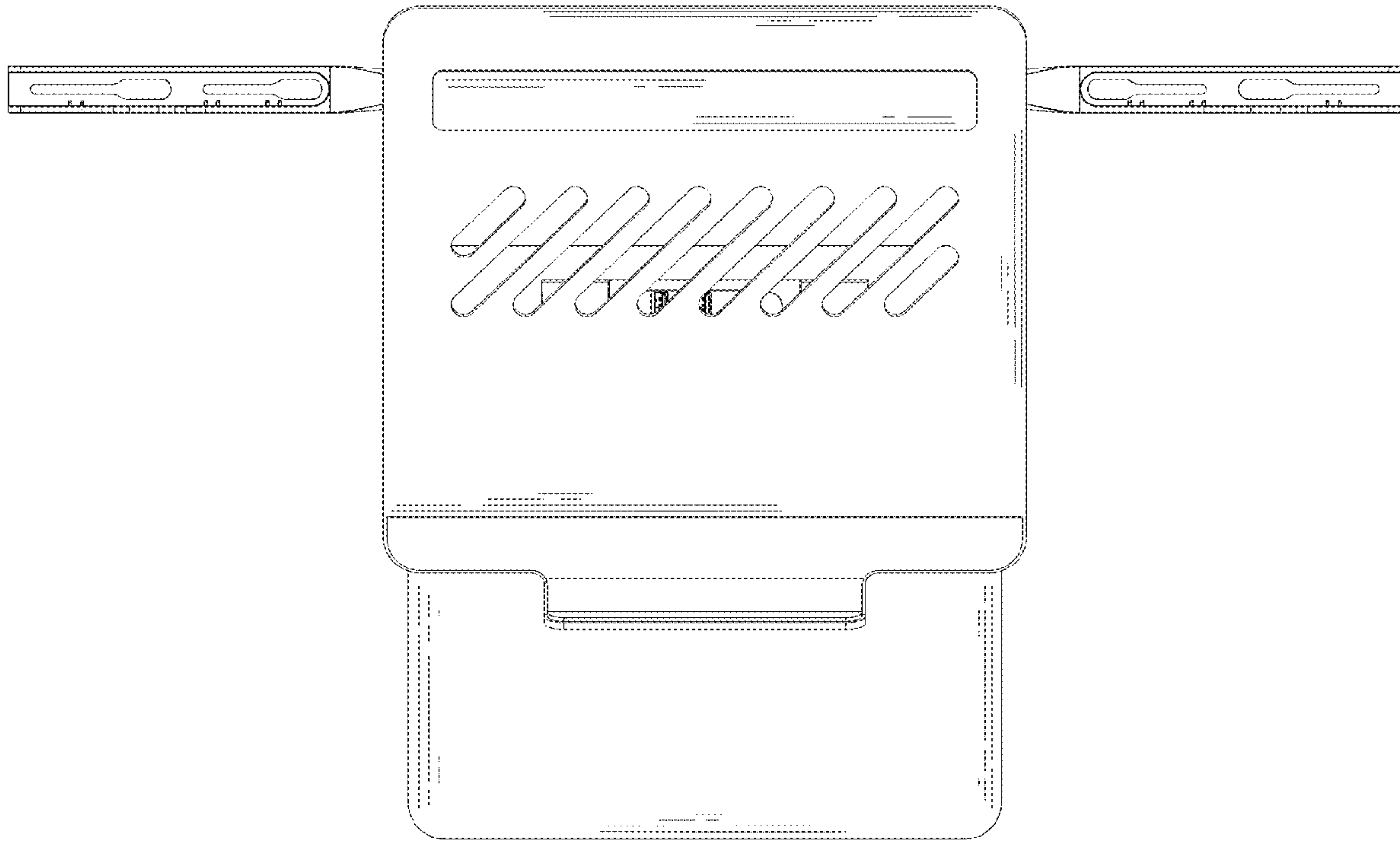


FIG. 7

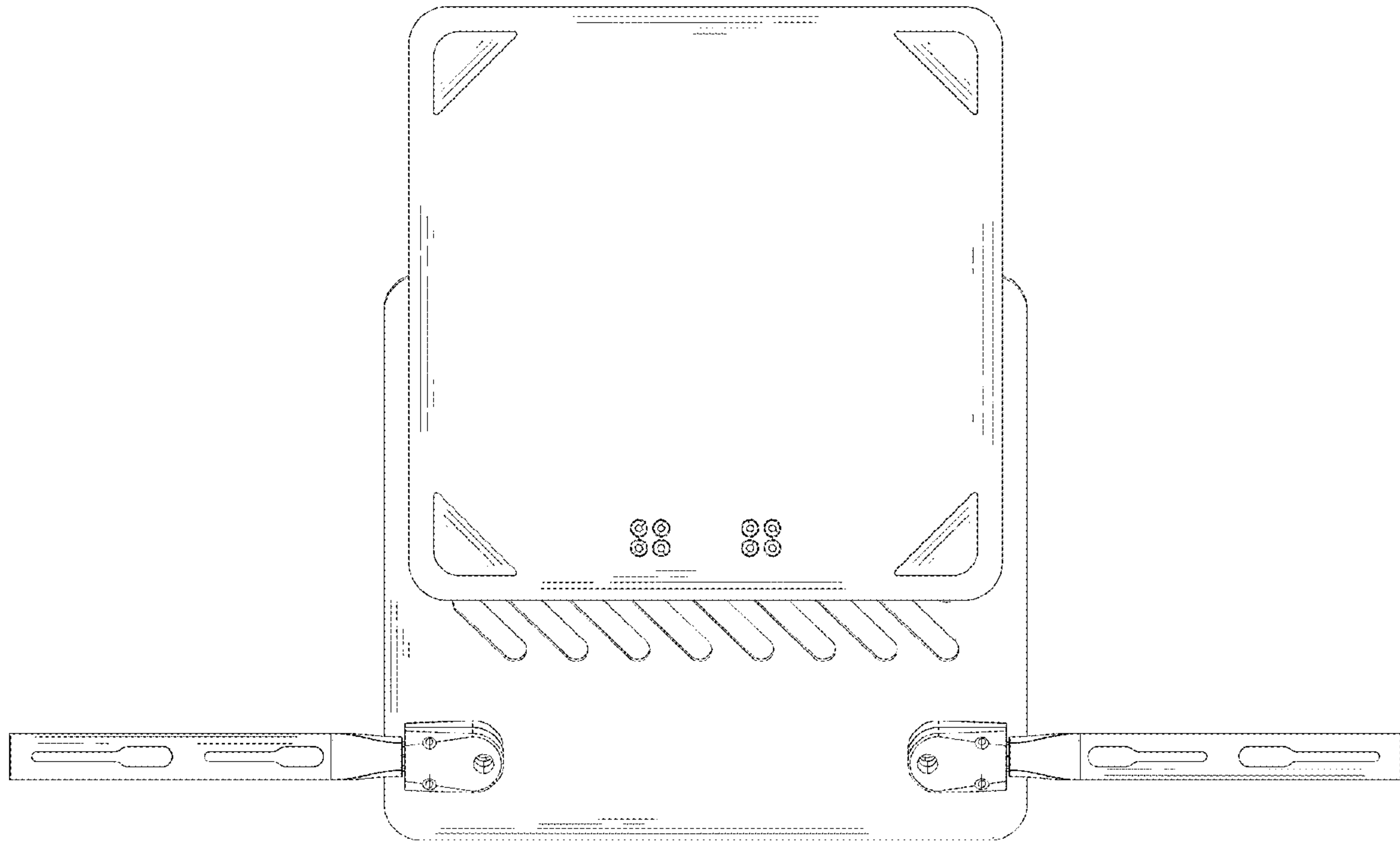


FIG. 8