



US00D940146S

(12) **United States Design Patent** (10) **Patent No.:** **US D940,146 S**  
**Fehr et al.** (45) **Date of Patent:** **\*\* Jan. 4, 2022**

(54) **MOUNTING BRACKET**  
(71) Applicant: **CKnapp Sales, Inc.**, Goodfield, IL (US)  
(72) Inventors: **Micah Fehr**, Danvers, IL (US); **Nicholas Welander**, East Peoria, IL (US)  
(73) Assignee: **CKnapp Sales, Inc.**, Goodfield, IL (US)  
(\*\*) Term: **15 Years**  
(21) Appl. No.: **29/743,242**  
(22) Filed: **Jul. 20, 2020**  
(51) **LOC (13) Cl.** ..... **08-07**  
(52) **U.S. Cl.**  
USPC ..... **D14/447**  
(58) **Field of Classification Search**  
USPC ..... D14/447, 432, 434, 439, 440, 451, 452, D14/457, 239, 253; D8/363, 373, 380; D6/406.3, 406.4, 406.5, 406.6; D12/415; D13/108  
CPC ..... A47B 21/04; A47B 2097/0006; A47B 2097/005; A47B 2023/049; A45C 2011/002; A45C 2011/003; F16M 2200/00; F16M 13/00  
See application file for complete search history.

D804,487 S \* 12/2017 Theis ..... D14/447  
D825,574 S \* 8/2018 Davies ..... D14/447  
D829,724 S \* 10/2018 Chun ..... D14/447  
D861,670 S \* 10/2019 Li ..... D14/253  
D866,563 S \* 11/2019 Zhang ..... D14/447  
D881,551 S \* 4/2020 Feng ..... D3/201  
D909,393 S \* 2/2021 Benett ..... D14/447

**OTHER PUBLICATIONS**

Tryone, "Tryone Gooseneck Tablet Stand, Tablet Mount Holder for iPad iPhone Series/Nintendo Switch/Samsung Galaxy Tabs/Amazon Kindle Fire HD and More, 30in Overall Length(Black)," retrieved from <https://www.amazon.com/Tryone-Gooseneck-Nintendo-Samsung-Overall/dp/B01AUQ33LG/> on Jul. 21, 2020, 1 page.  
Arkon, "Arkon Heavy Duty Tablet Wall Drill Base Mount with 8 inch Arm for iPad Air iPad Pro iPad 4 3 2 Retail Black-TAB806," retrieved from <https://www.amazon.com/Arkon-Heavy-Tablet-Mount-Galaxy/dp/B00LULUYHC/>, on Jul. 21, 2020, 1 page.

(Continued)

*Primary Examiner* — Angela J Lee  
(74) *Attorney, Agent, or Firm* — Hanley, Flight & Zimmerman, LLC

(57) **CLAIM**

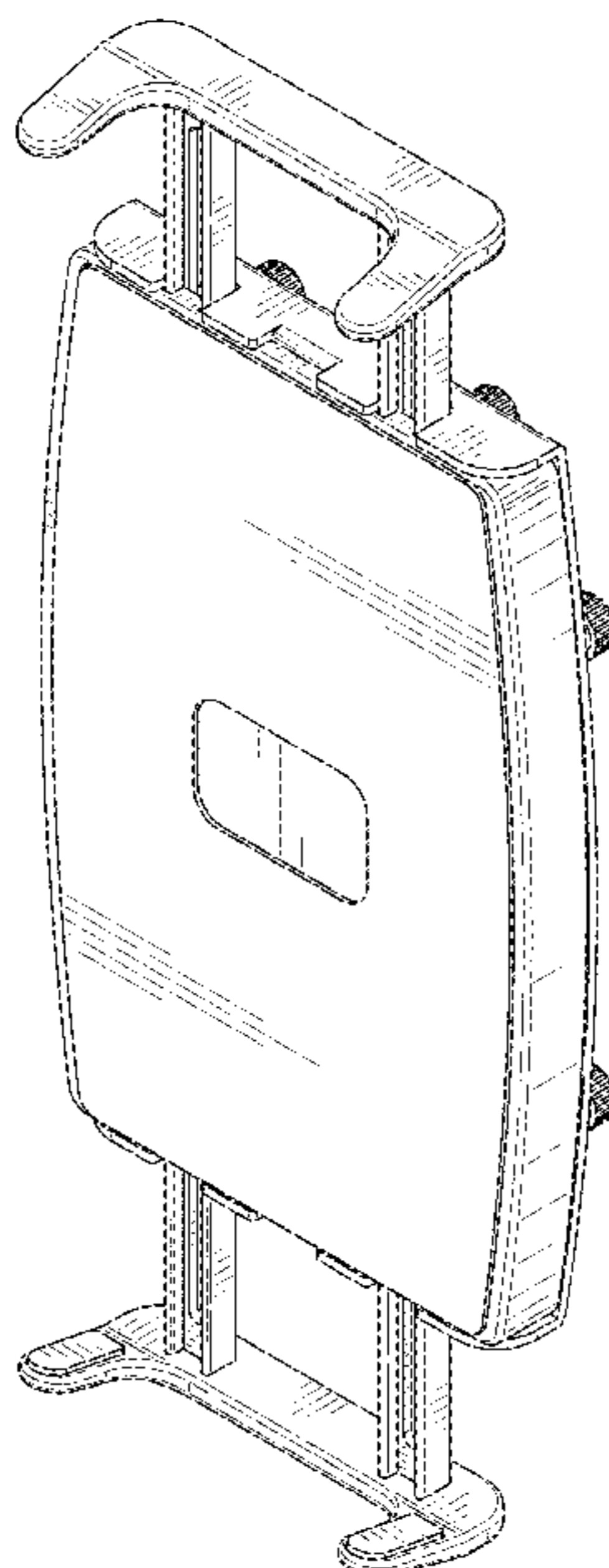
The ornamental design for a mounting bracket, substantially as shown and described.

**DESCRIPTION**

FIG. 1 is a perspective view of a mounting bracket, showing our new design;  
FIG. 2 is a front elevation view thereof;  
FIG. 3 is a rear elevation view thereof;  
FIG. 4 is a first side elevation view thereof;  
FIG. 5 is a second side elevation view thereof;  
FIG. 6 is a top plan view thereof; and,  
FIG. 7 is a bottom plan view thereof.

**1 Claim, 5 Drawing Sheets**

(56) **References Cited**  
U.S. PATENT DOCUMENTS  
D630,222 S \* 1/2011 Lin ..... D14/447  
D634,315 S \* 3/2011 Nousiainen ..... D14/253  
D650,774 S \* 12/2011 Molter ..... D14/239  
D685,804 S \* 7/2013 Richter ..... D14/447  
D748,099 S \* 1/2016 Heid ..... D14/447  
D753,126 S \* 4/2016 Alesi ..... D14/447



(56)

**References Cited**

OTHER PUBLICATIONS

APPS2Car, "Universal Car Mount [2 in 1] CD Slot Tablet Car Mount for 7-11 inch Tablet, CD Player Cell Phone Holder for 3.5-7 inch Smartphone—APPS2Car Tablet Car Mount Dash Holder Stand for iPad Pro/Air/Mini," retrieved from <https://www.amazon.com/Universal-Car-Mount-Compatible-Smartphone/dp/B01C3ZKJYQ/>, on Jul. 21, 2020, 1 page.

\* cited by examiner

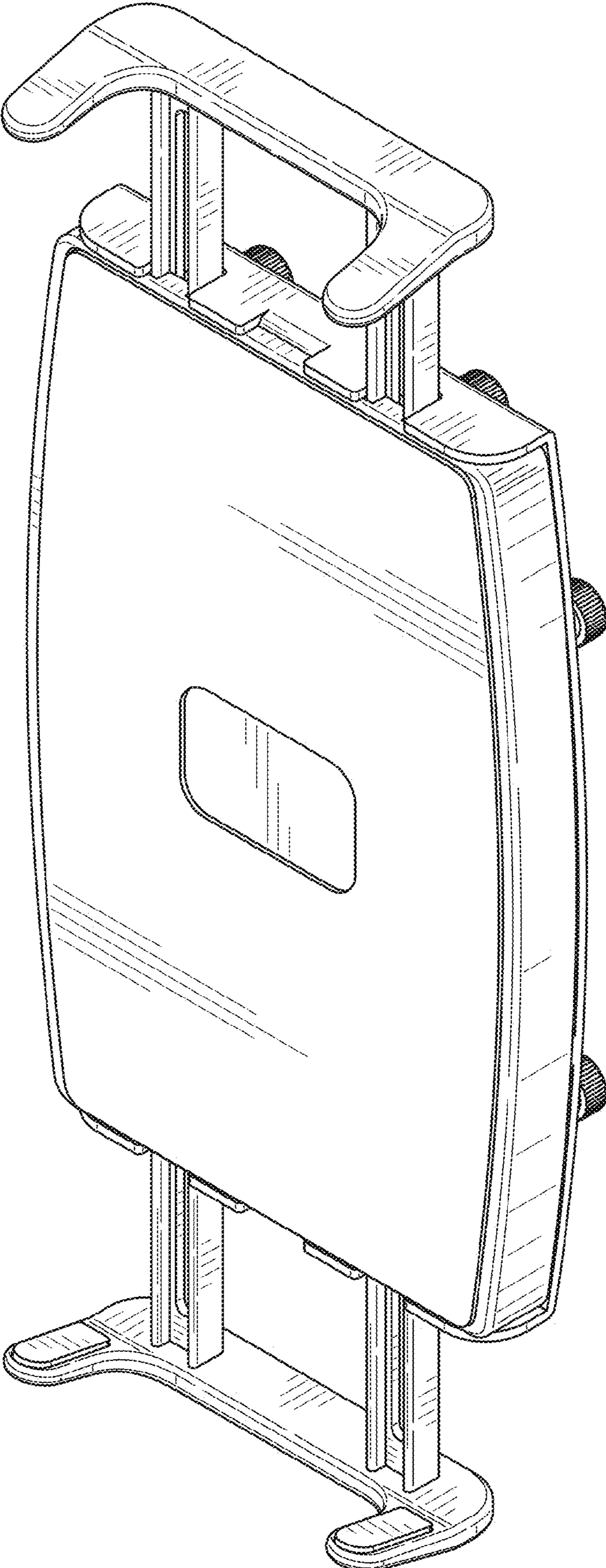


FIG. 1

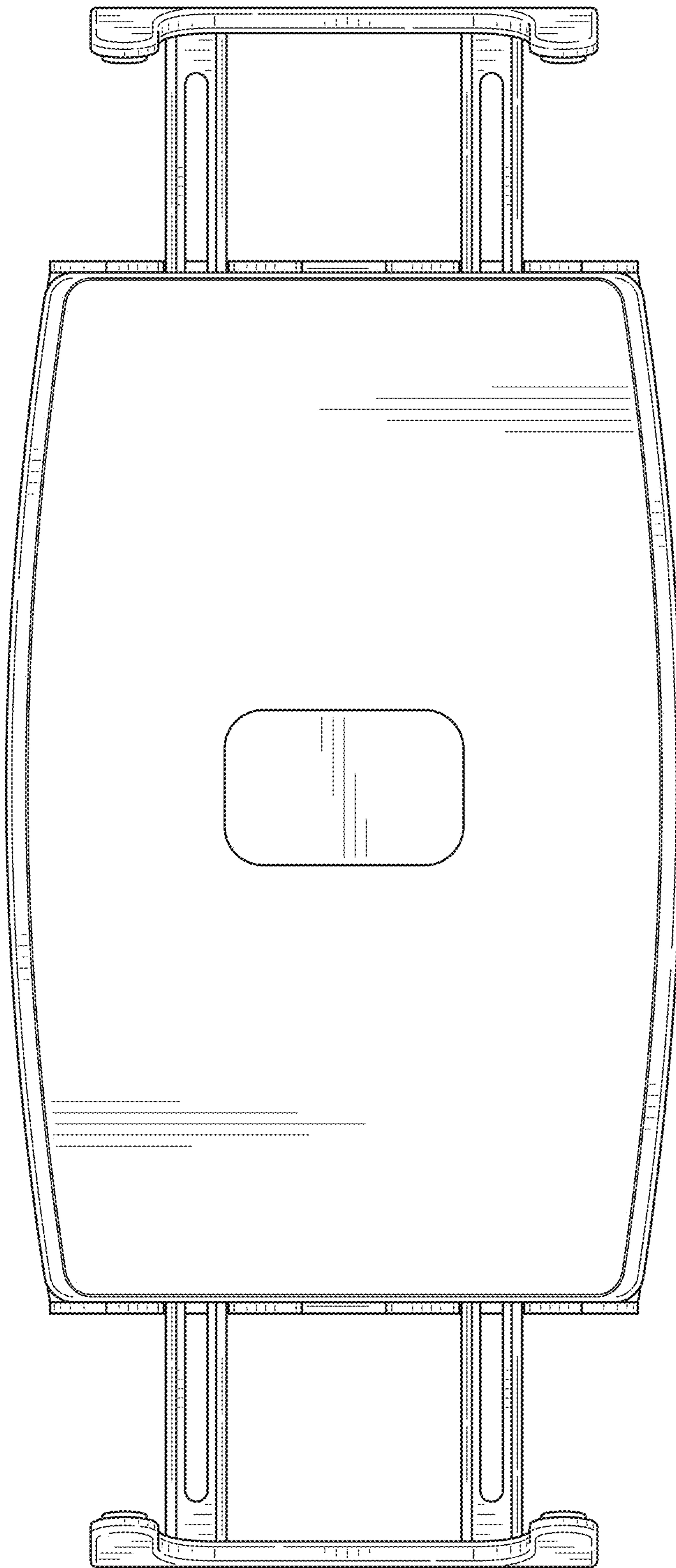


FIG. 2



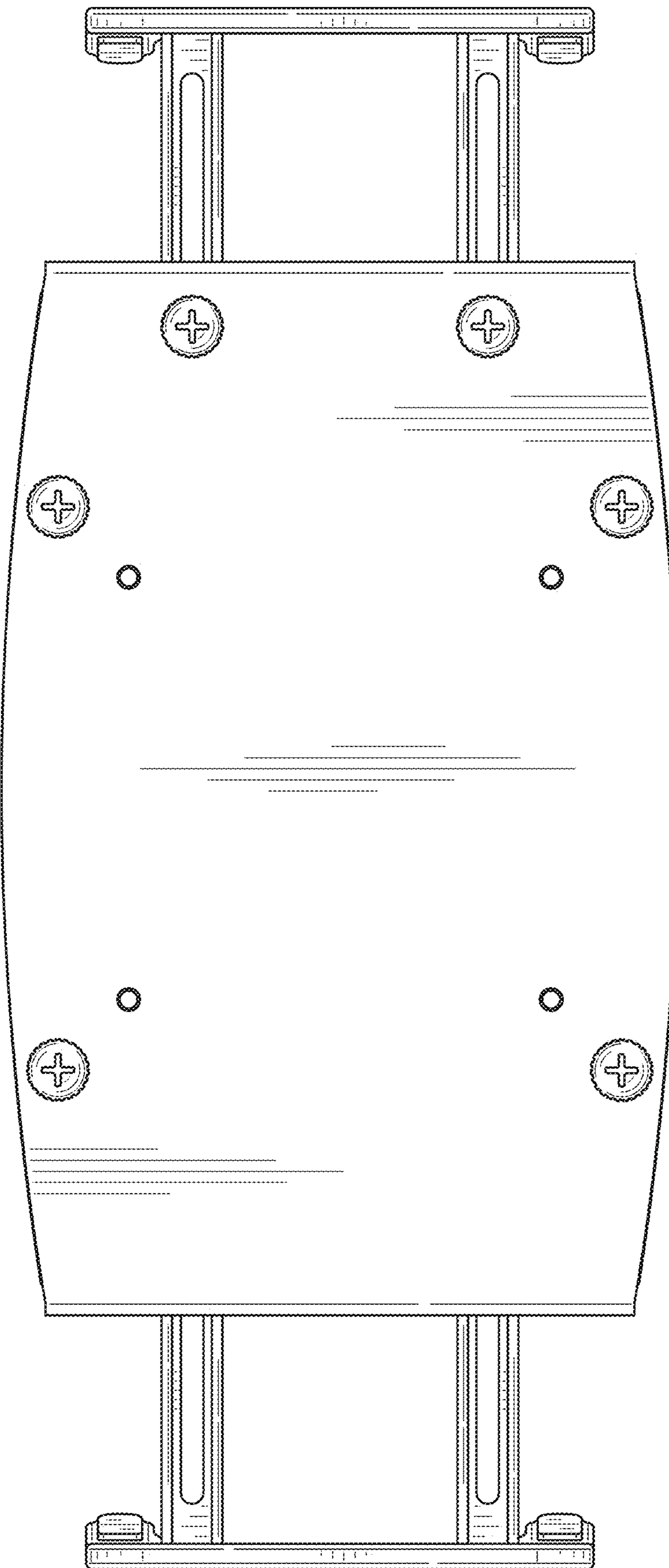


FIG. 3

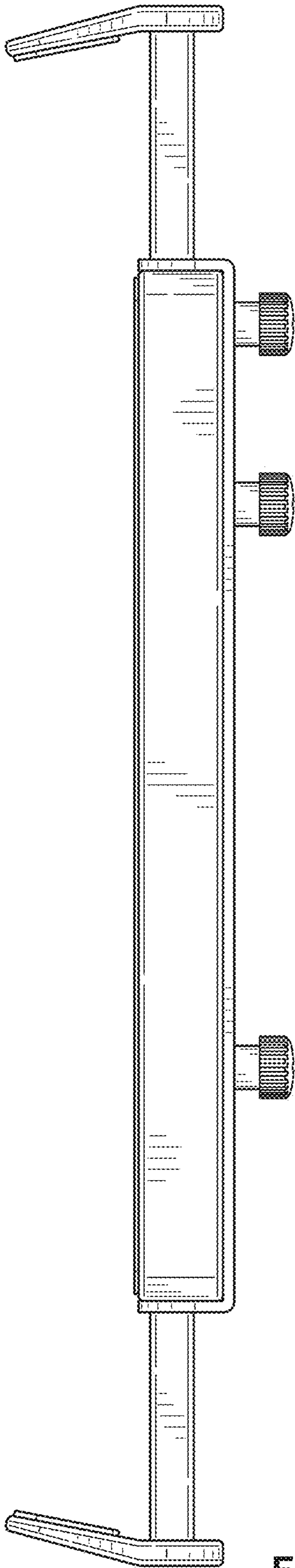


FIG. 4

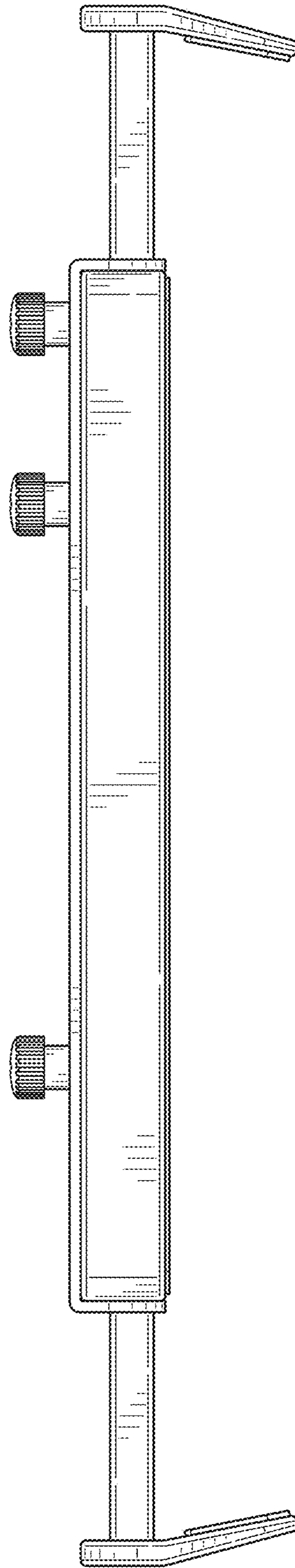


FIG. 5

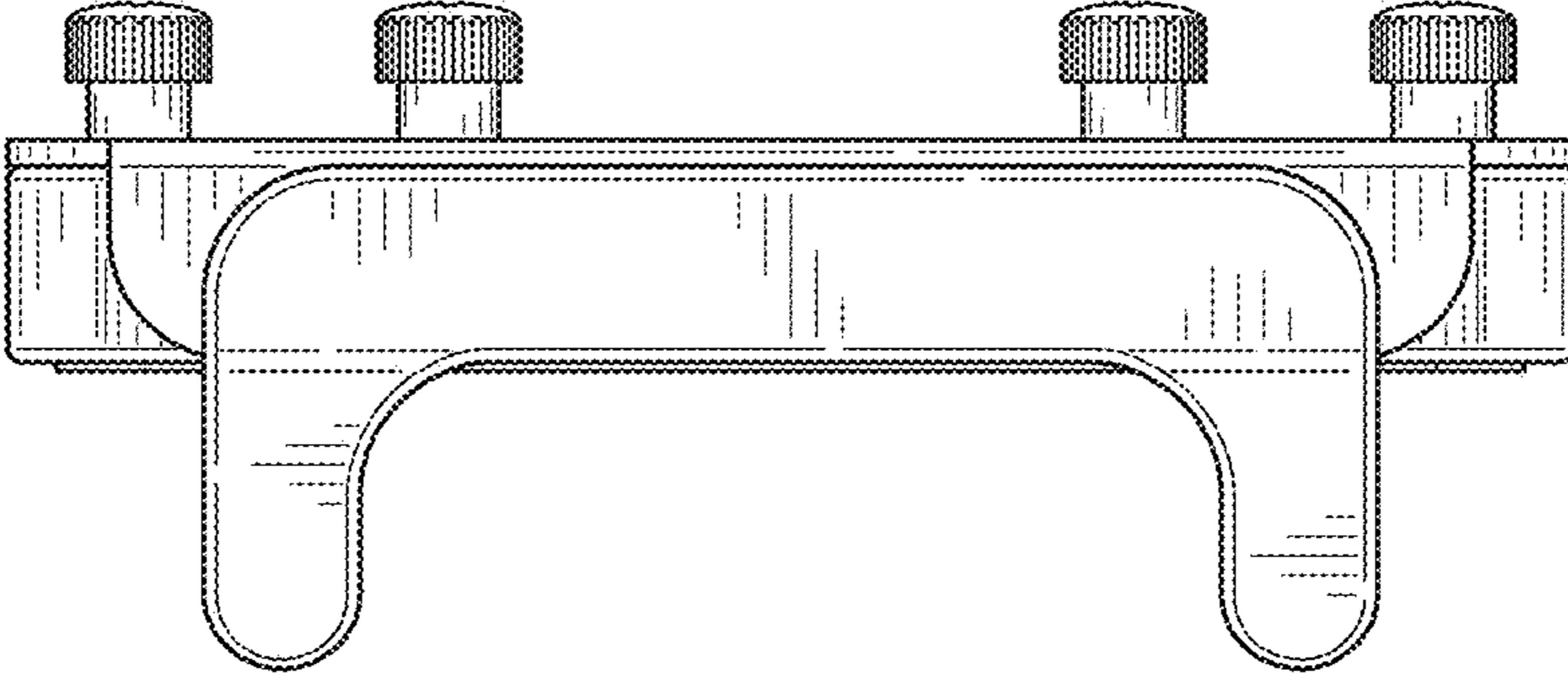


FIG. 6

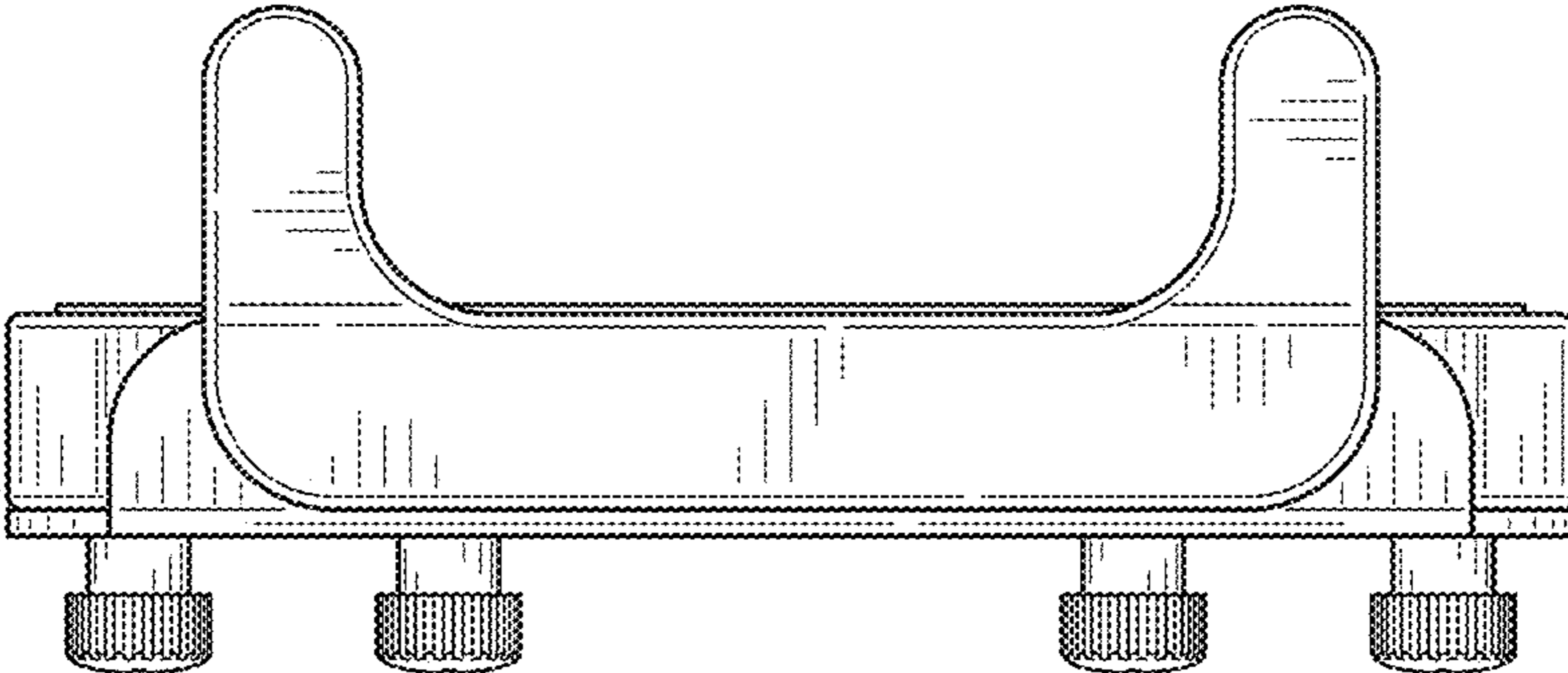


FIG. 7