



US00D940145S

(12) **United States Design Patent**
Zhang

(10) **Patent No.:** **US D940,145 S**

(45) **Date of Patent:** **** Jan. 4, 2022**

(54) **TOUCH BACKLITGHT KEYBOARD**

(71) Applicant: **Dongguan Ledimei Technology Co., Ltd.**, Guangdong (CN)

(72) Inventor: **Sheng Zhang**, Guangdong (CN)

(**) Term: **15 Years**

(21) Appl. No.: **29/737,244**

(22) Filed: **Jun. 8, 2020**

(51) **LOC (13) Cl.** **14-02**

(52) **U.S. Cl.**
USPC **D14/440**

(58) **Field of Classification Search**
USPC D14/440, 447, 250, 315; 206/45.23, 320,
206/45.2; 361/679.55; 294/25; 224/218
CPC ... G06F 1/1628; G06F 1/1626; A47B 23/044;
H04B 1/3888
See application file for complete search history.

(56) **References Cited**

U.S. PATENT DOCUMENTS

- 4,259,568 A * 3/1981 Dynesen G06F 15/0216
206/305
- 8,230,992 B2 * 7/2012 Law G06F 1/1626
206/320
- D675,625 S * 2/2013 Hasbrook D14/440
- 8,766,921 B2 * 7/2014 Ballagas G06F 1/1632
345/168
- 8,773,353 B2 * 7/2014 Wei G06F 1/1675
345/156
- D744,492 S * 12/2015 Lin G06F 1/1632
D14/440
- 9,225,377 B1 * 12/2015 Hart H04B 1/3888
- 9,451,822 B2 * 9/2016 Gu F16M 11/041
- 9,461,692 B2 * 10/2016 Lockwood G06F 1/1632
- D790,552 S * 6/2017 Zhang D14/440
- D792,412 S * 7/2017 Zhang D14/440
- D792,885 S * 7/2017 Zhang D14/440

- D792,887 S * 7/2017 Zhang D14/440
- D807,363 S * 1/2018 Hallier D14/440
- 10,114,410 B2 * 10/2018 Ke G06F 1/1681
- D832,856 S * 11/2018 Jinkinson D14/440
- D887,416 S * 6/2020 Wu D14/440
- D892,126 S * 8/2020 Kim D14/440
- D892,128 S * 8/2020 Chen D14/440
- D897,352 S * 9/2020 Akana D14/455
- D905,697 S * 12/2020 Chen D14/440
- D907,047 S * 1/2021 Kao D14/440
- D912,060 S * 3/2021 Zhu D14/440
- D912,063 S * 3/2021 Yan D14/440
- D916,077 S * 4/2021 Wang D14/315
- D922,391 S * 6/2021 Cheng D14/440
- D923,011 S * 6/2021 Cheng D14/440
- D924,244 S * 7/2021 Akana D14/440
- D924,880 S * 7/2021 Akana D14/440
- 2003/0193773 A1 * 10/2003 Choi G06F 1/1681
361/679.06

(Continued)

Primary Examiner — Cynthia R Underwood
(74) *Attorney, Agent, or Firm* — Prakash Nama; Global IP Services, PLLC

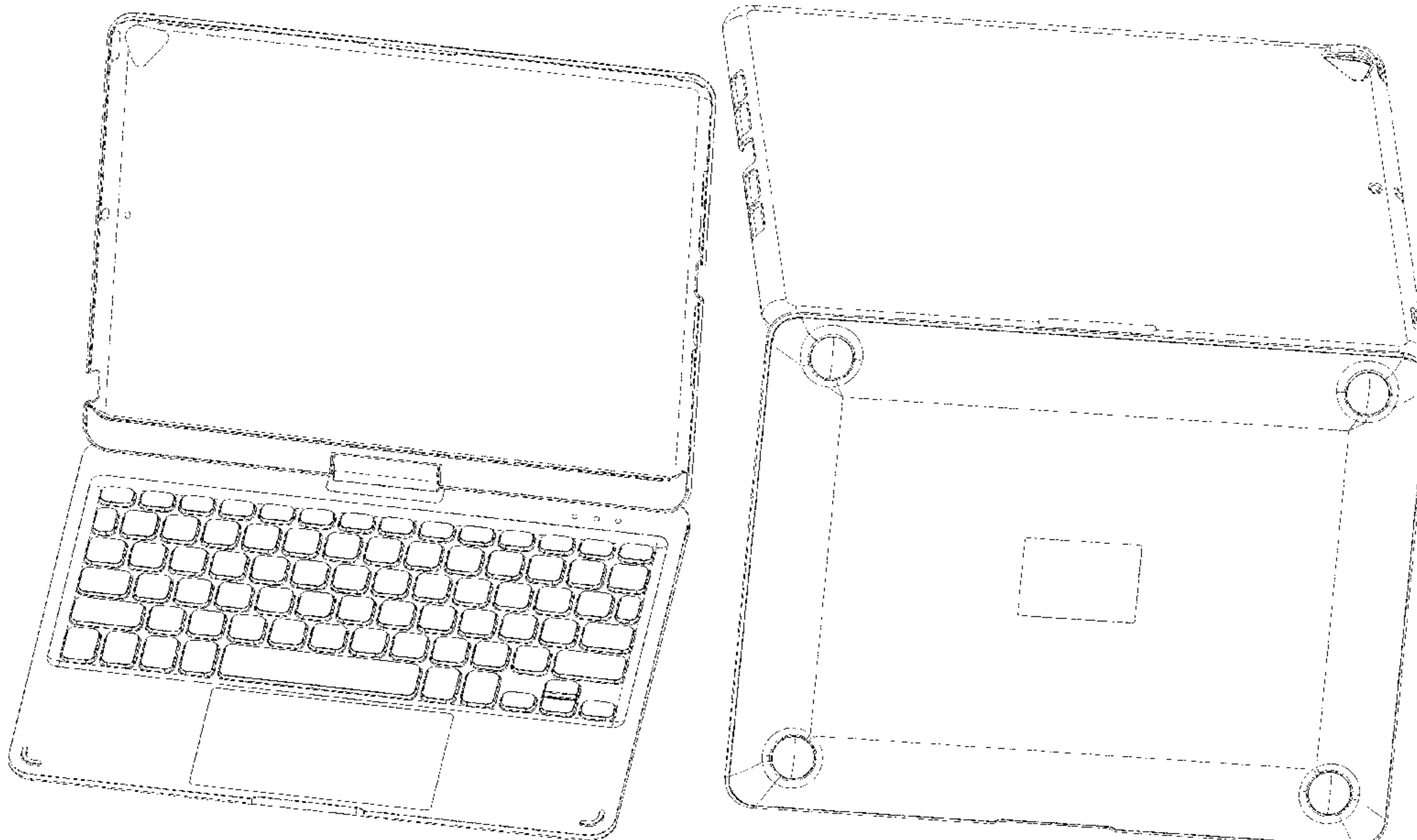
(57) **CLAIM**

The ornamental design for a touch backlight keyboard, as shown.

DESCRIPTION

FIG. 1 is a front elevational view of a touch backlight keyboard showing my new design;
FIG. 2 is a rear elevational view thereof;
FIG. 3 is a left side view thereof;
FIG. 4 is a right side view thereof;
FIG. 5 is a top plan view thereof;
FIG. 6 is a bottom plan view thereof;
FIG. 7 is a perspective view thereof;
FIG. 8 is a second perspective view thereof; and,
FIG. 9 is a third perspective view thereof.

1 Claim, 9 Drawing Sheets



(56)

References Cited

U.S. PATENT DOCUMENTS

2012/0211377	A1 *	8/2012	Sajid	G06F 1/1628 206/216
2014/0083883	A1 *	3/2014	Elias	G06F 1/169 206/320
2014/0211393	A1 *	7/2014	Lee	G06F 1/1626 361/679.12
2014/0218855	A1 *	8/2014	Fujino	G06F 1/1654 361/679.12
2014/0267050	A1 *	9/2014	Spollen	G06F 1/1677 345/168
2015/0293601	A1 *	10/2015	Gu	G06F 1/1669 345/168
2015/0296068	A1 *	10/2015	Chin	A45C 13/002 455/575.8

* cited by examiner

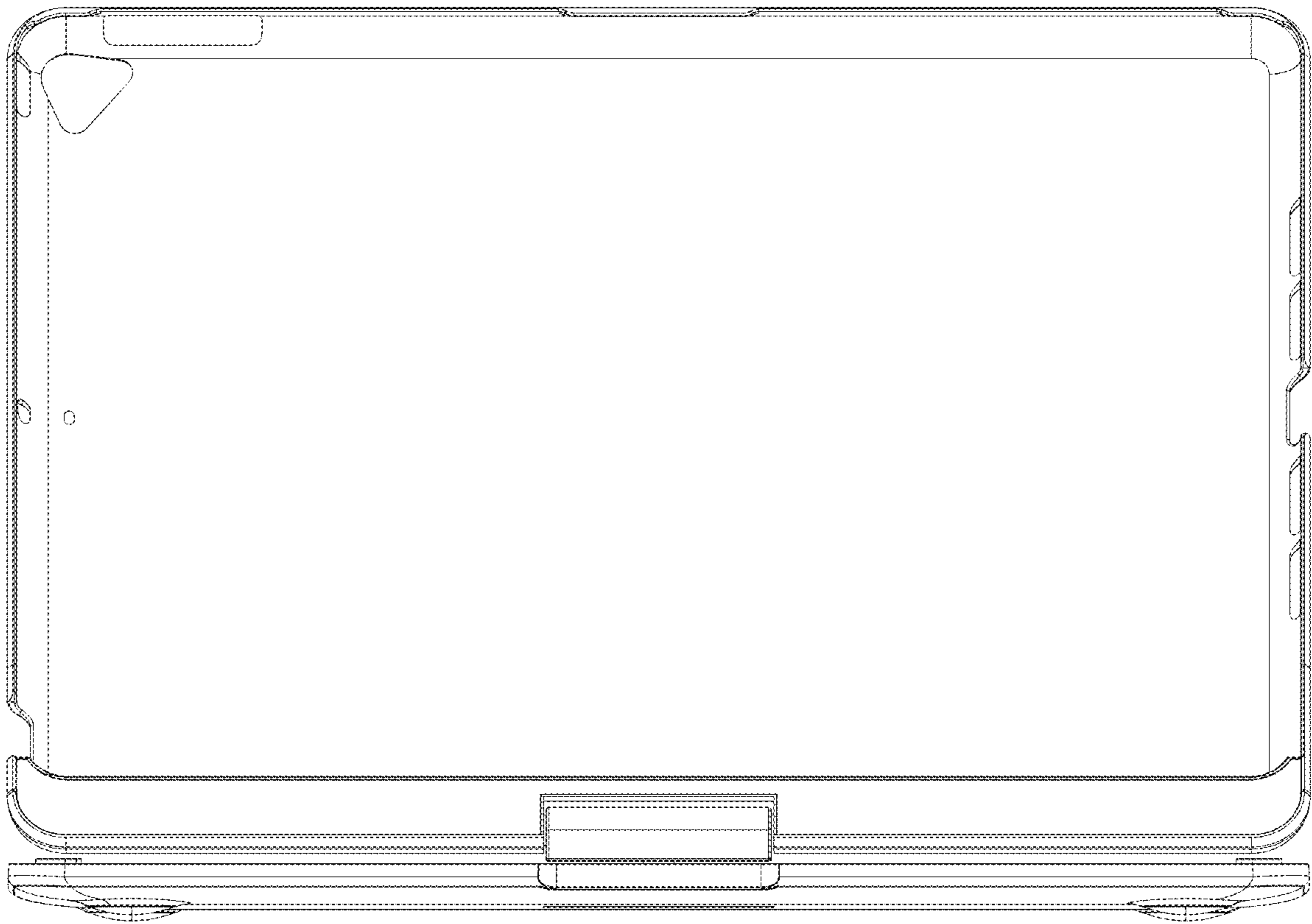


FIG.1

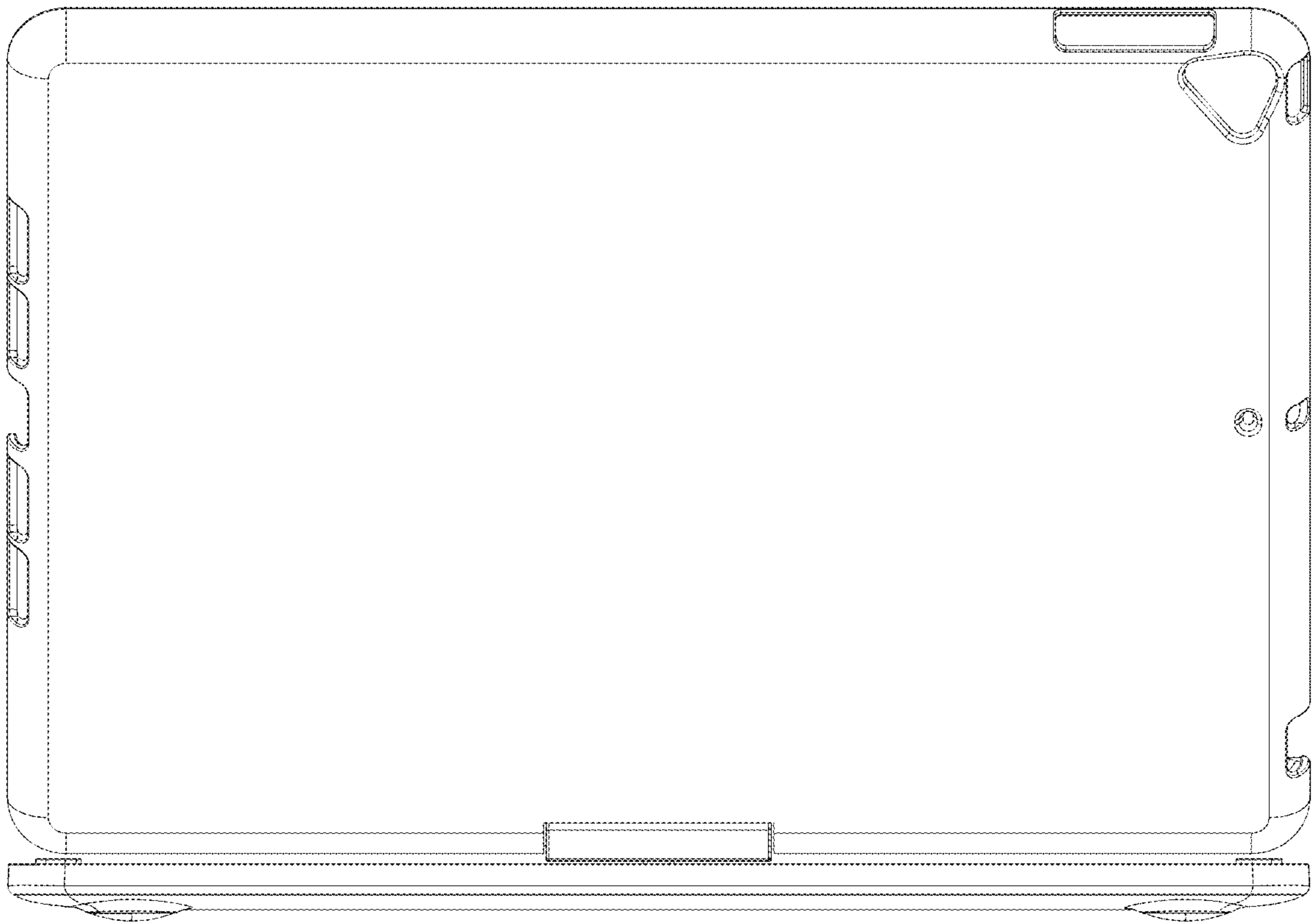


FIG.2

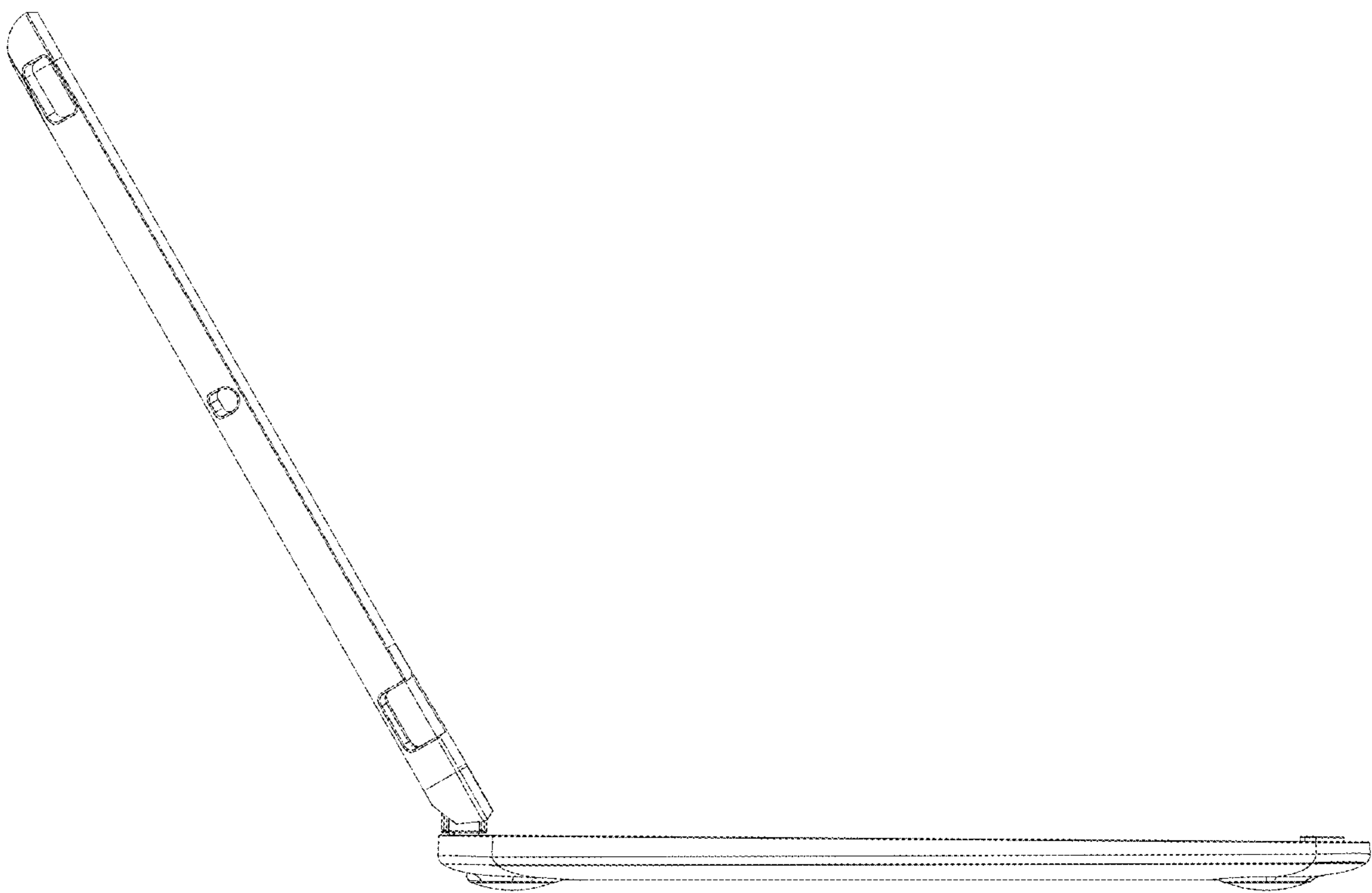


FIG.3

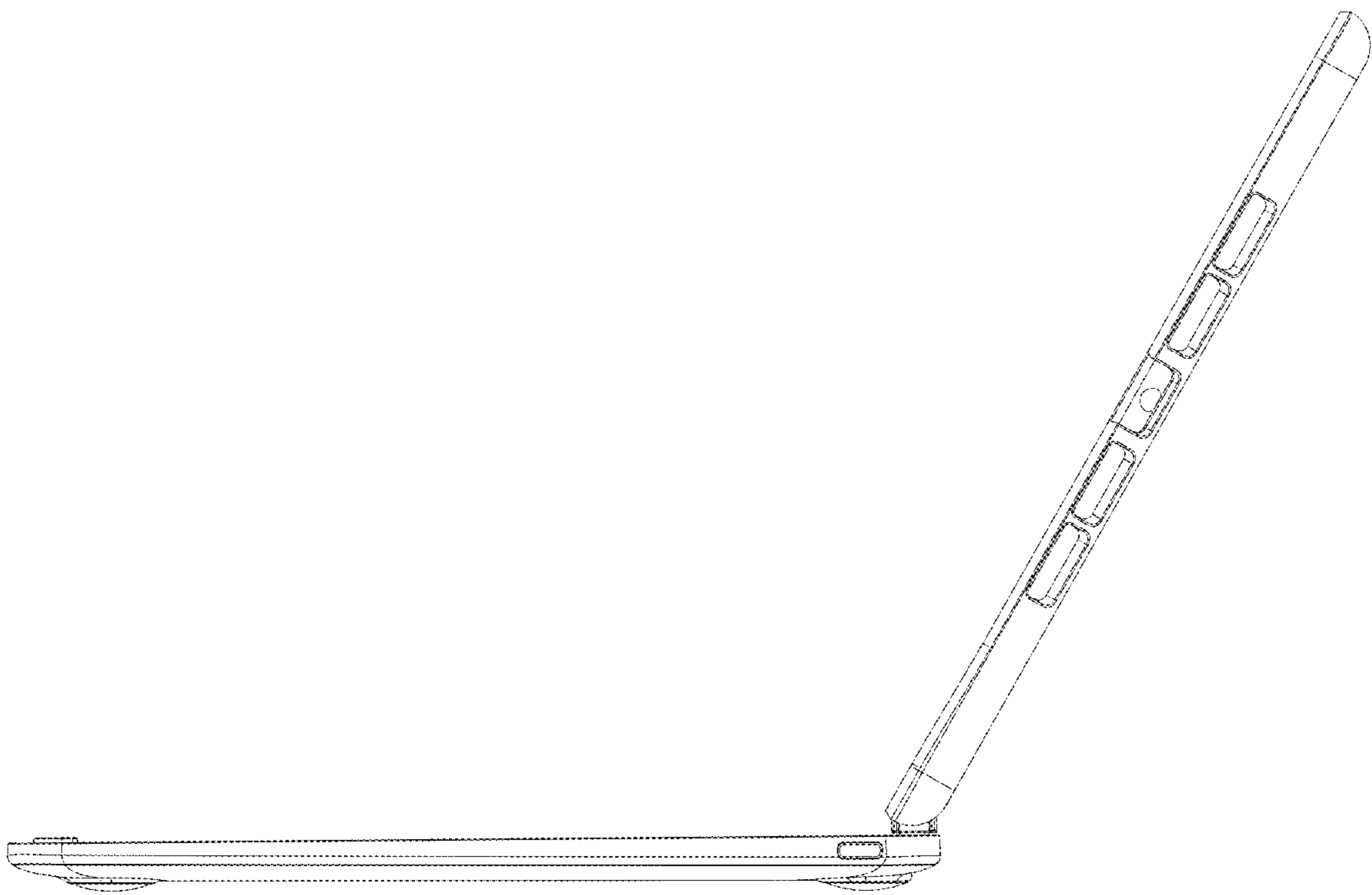


FIG.4

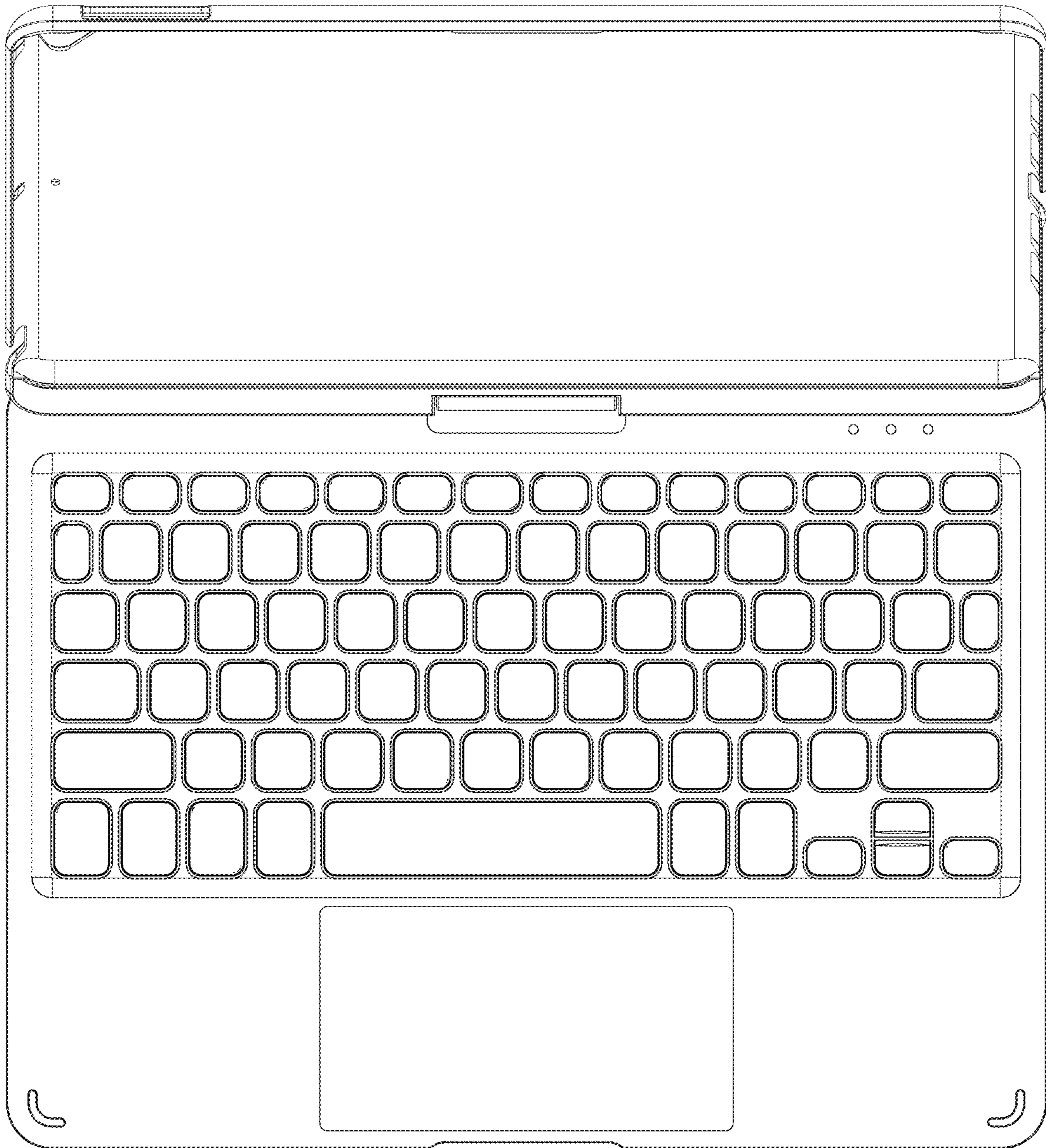


FIG.5

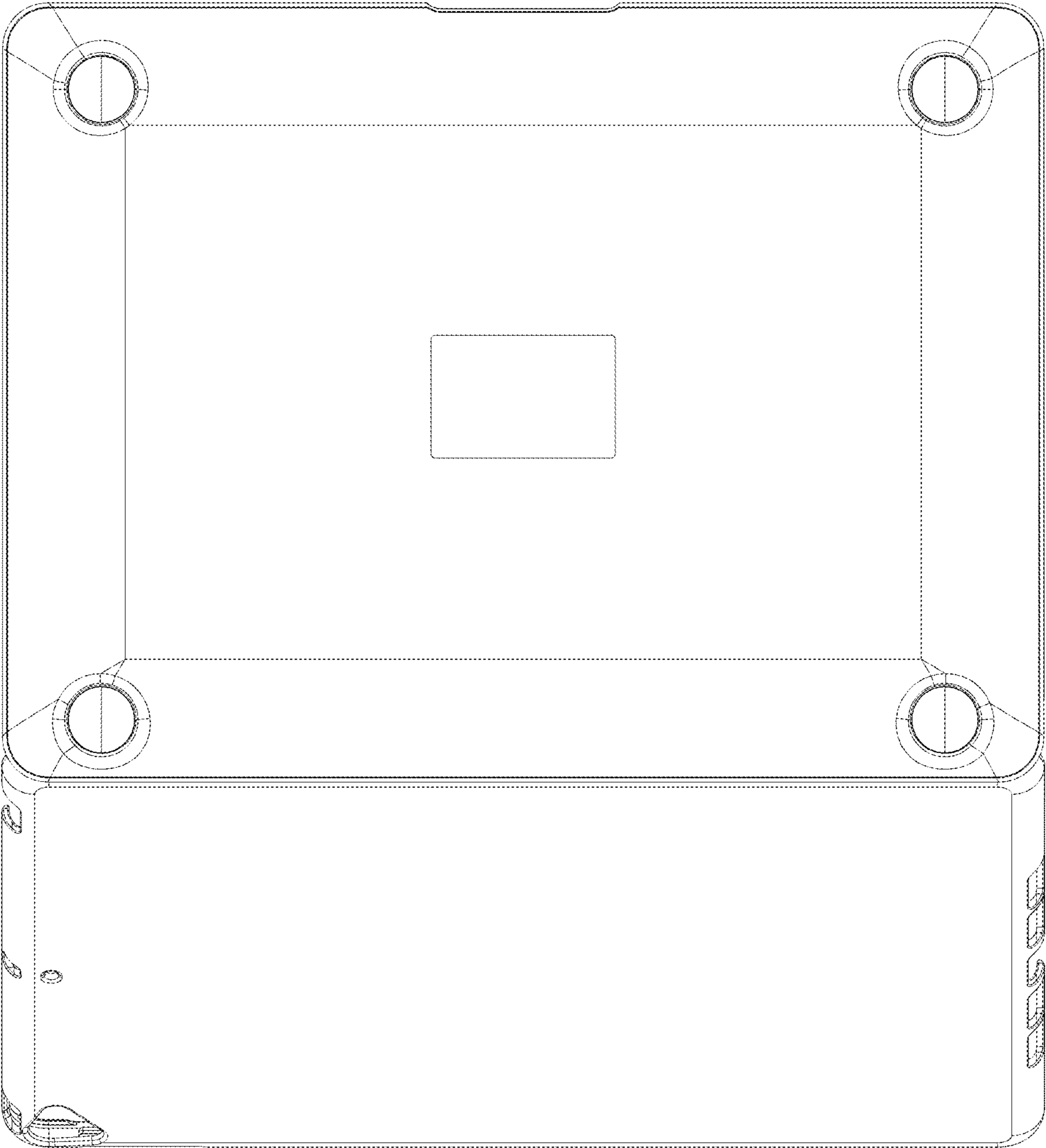


FIG.6

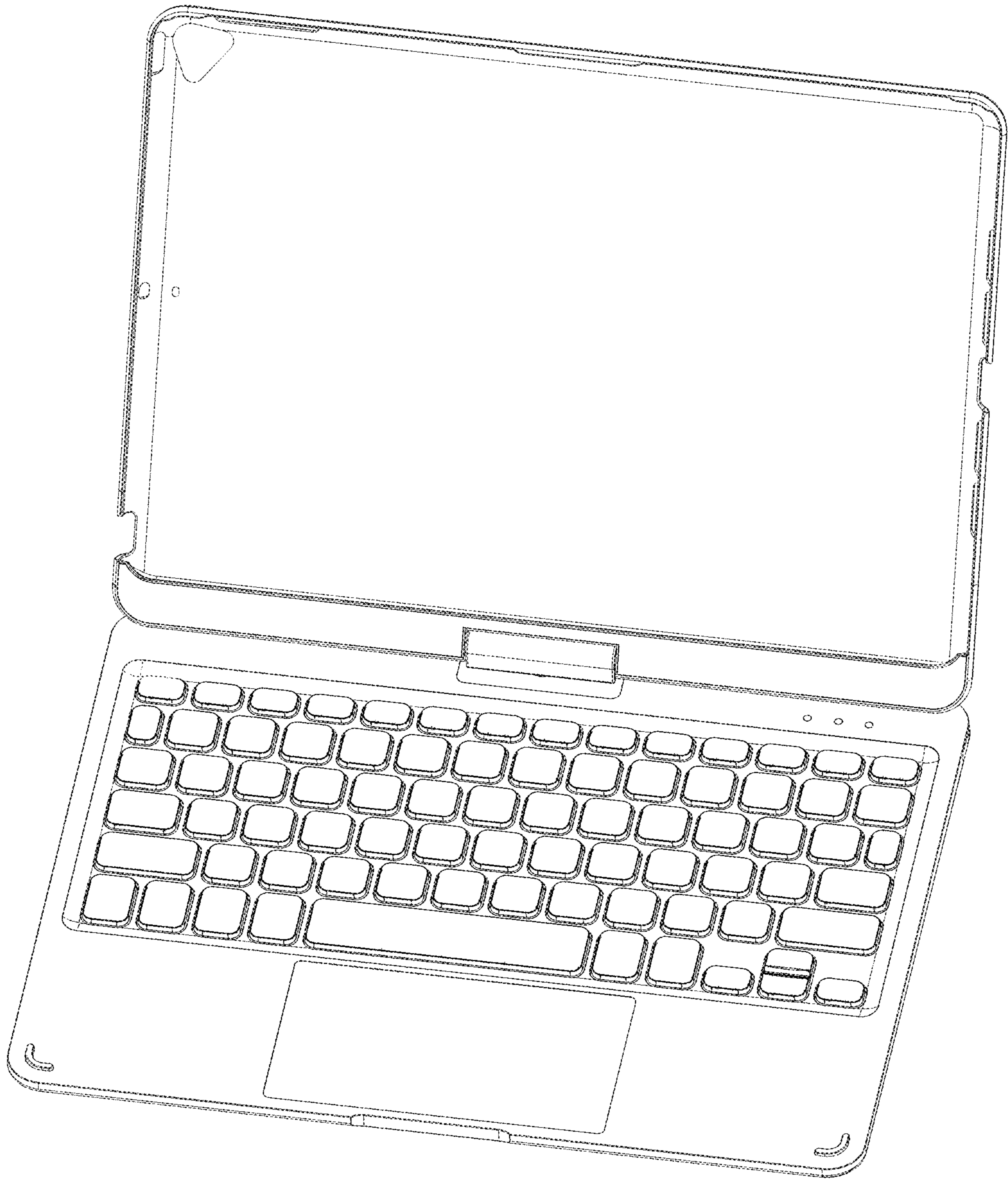


FIG.7

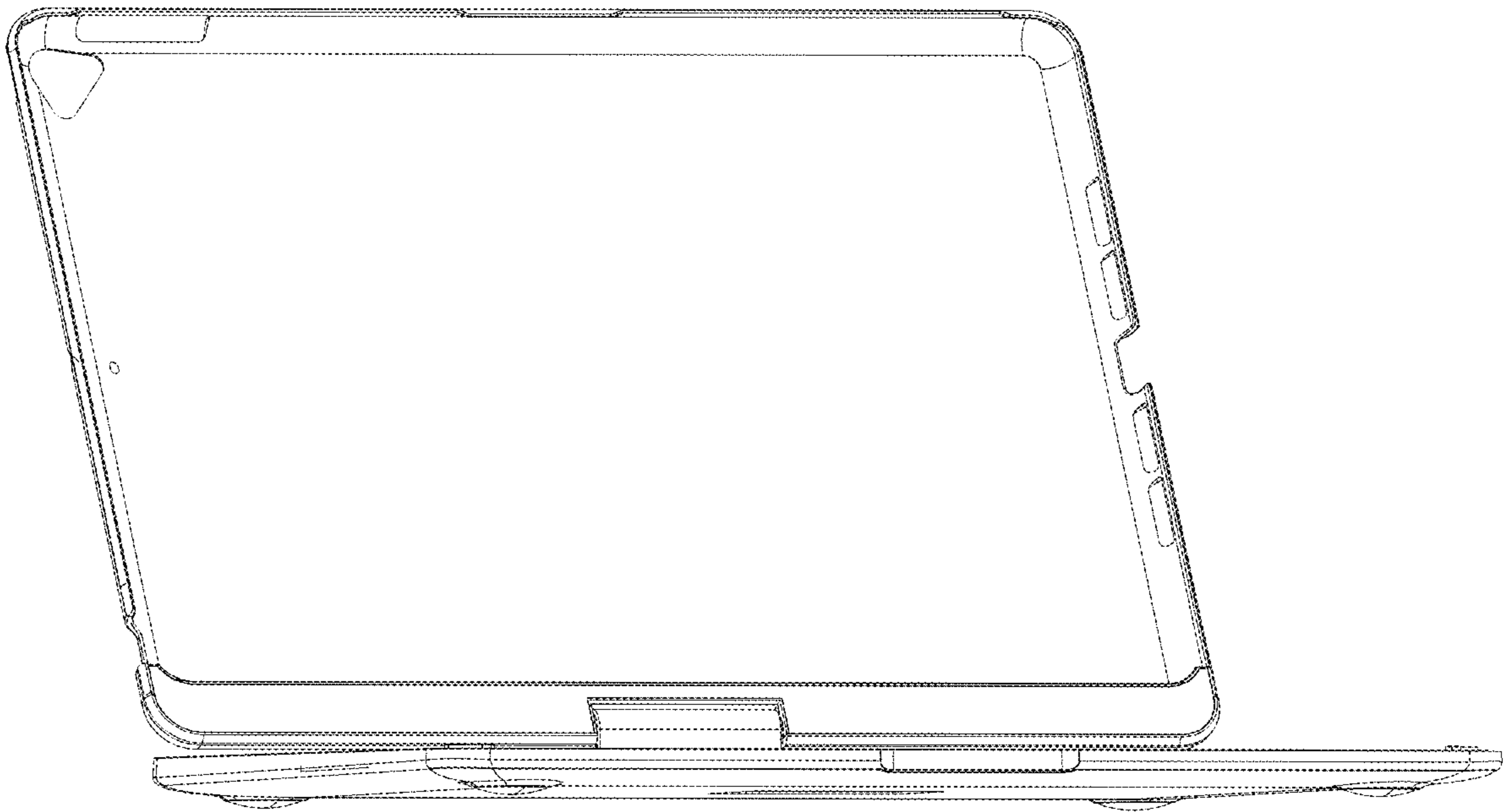


FIG.8

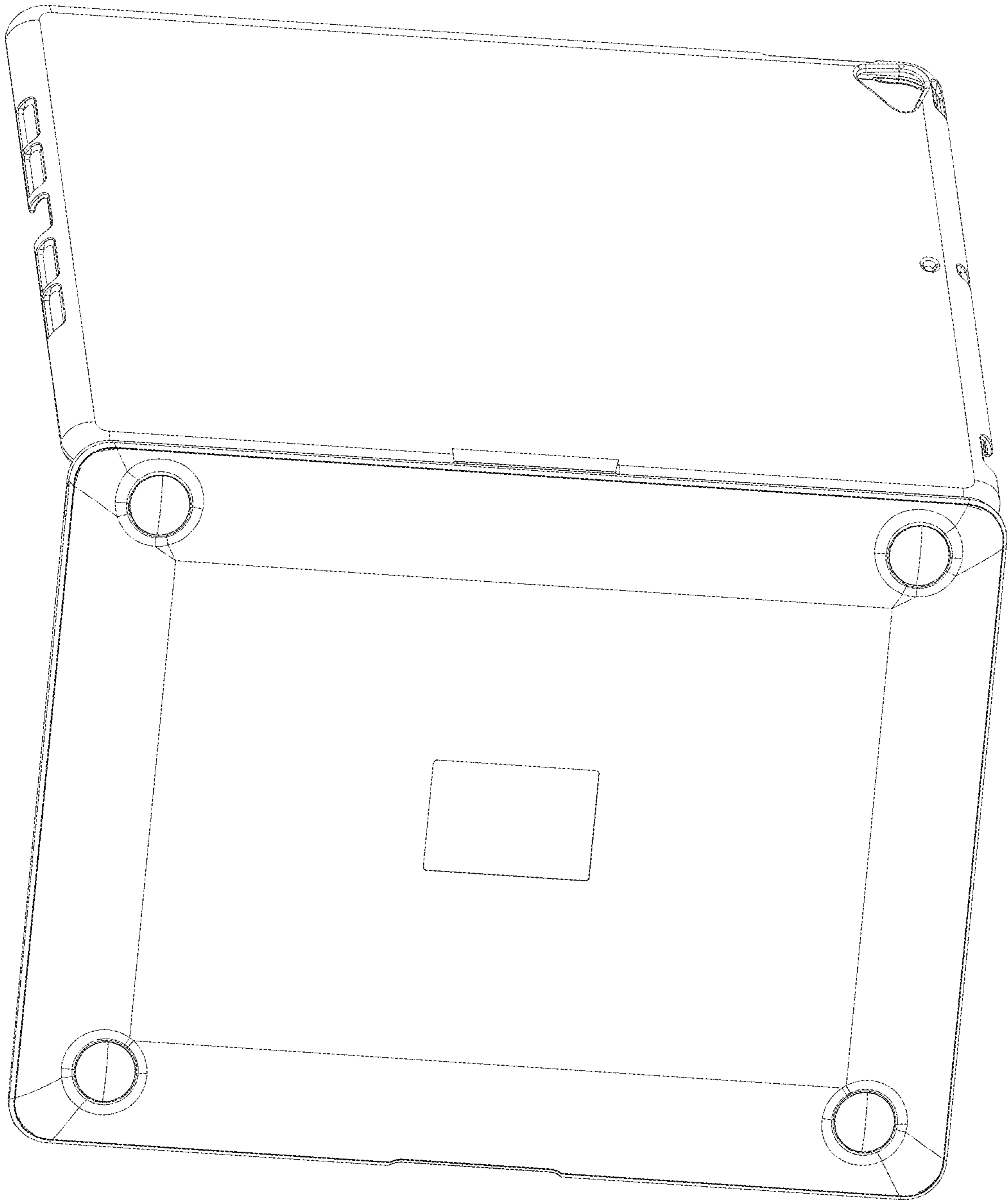


FIG.9