



US00D940144S

(12) **United States Design Patent**
Zhang et al.

(10) **Patent No.:** **US D940,144 S**

(45) **Date of Patent:** **** *Jan. 4, 2022**

(54) **CONVERTER**

(71) Applicants: **Qingsen Zhang**, Guangdong (CN);
Junling Chen, Guangdong (CN);
Zhuohao Liang, Guangdong (CN)

(72) Inventors: **Qingsen Zhang**, Guangdong (CN);
Junling Chen, Guangdong (CN);
Zhuohao Liang, Guangdong (CN)

(*) Notice: This patent is subject to a terminal disclaimer.

(**) Term: **15 Years**

(21) Appl. No.: **29/687,298**

(22) Filed: **Apr. 11, 2019**

(51) **LOC (13) Cl.** **14-99**

(52) **U.S. Cl.**
USPC **D14/433**

(58) **Field of Classification Search**
USPC D14/240, 242, 356, 357, 358, 378, 383,
D14/384, 385, 386, 433, 434, 435.1,
D14/480.1, 480.3, 480.4, 480.5, 480.6,
D14/480.7; D13/103, 107, 108, 110, 146,
D13/147; D18/12, 12.1, 12.3
CPC H01R 25/003; H01R 25/006; H01R 27/02;
H01R 31/005; H01R 13/60; H01R
13/6658; H01R 13/72; G06F 1/1607;
G06F 1/1632; G06F 1/1684; G06F 1/266;
G06F 11/325; G06F 13/00; G06F 13/12;
G06F 13/14; G06F 13/20; G06F 13/382;
G06F 13/4022; G06F 9/4413
See application file for complete search history.

(56) **References Cited**

U.S. PATENT DOCUMENTS

D436,927 S * 1/2001 Hogan D13/147
D552,604 S * 10/2007 Andre D14/242

D707,180 S * 6/2014 Yi D13/147
D714,728 S * 10/2014 Gentil D13/147
D784,340 S * 4/2017 Laffon de Mazieres D14/433
D828,839 S * 9/2018 Zhang D14/433
D828,841 S * 9/2018 Zhang D14/433
D833,445 S * 11/2018 Xie D14/433
D841,007 S * 2/2019 Xie D14/433
D847,139 S * 4/2019 Wang D14/433
D853,397 S * 7/2019 Wang D14/435.1
D854,020 S * 7/2019 Liao D14/434
D863,310 S * 10/2019 Liao D14/433
D865,676 S * 11/2019 Liao D13/147
D868,742 S * 12/2019 Cao D14/217

OTHER PUBLICATIONS

USB 3.0 to Gigabit Ethernet Converter, online, no post date, URL:
<https://www.dcp.lv/en/network-adapters/46807-value-usb-30-to-gigabit-ethernet-converter-hub-3x-7630049691995.html>, retrieved Feb. 11, 2020.*

* cited by examiner

Primary Examiner — Jeffrey D Asch
Assistant Examiner — Rebekah A Caruso

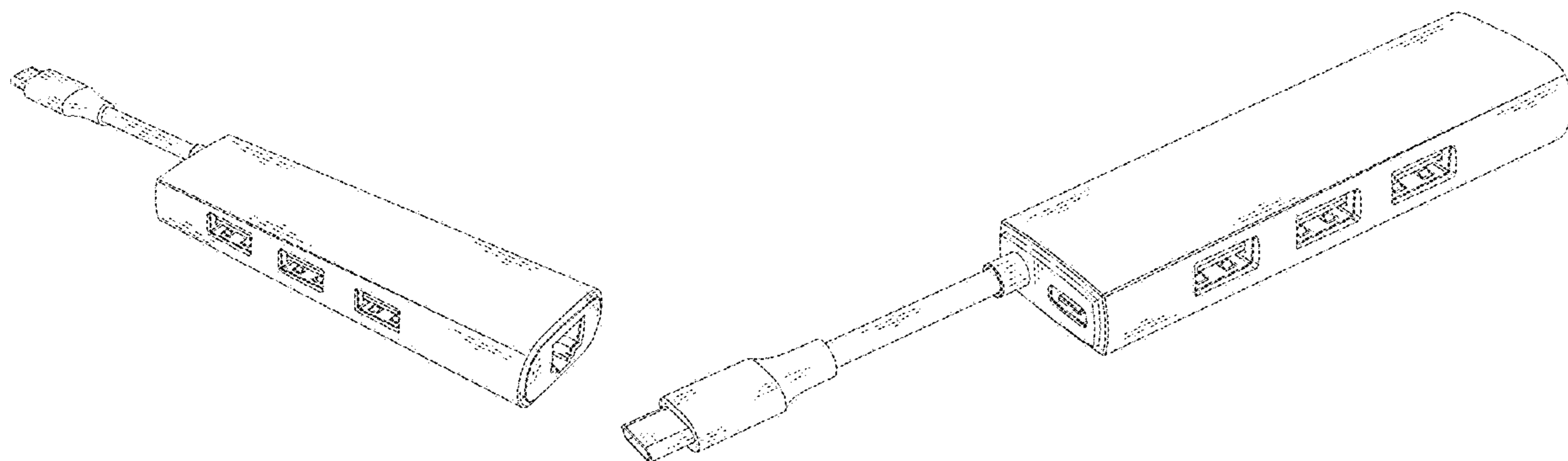
(57) **CLAIM**

The ornamental design for a converter, as shown and described.

DESCRIPTION

FIG. 1 is a perspective view of a converter showing our new design;
FIG. 2 is a front elevational view thereof;
FIG. 3 is a rear elevational view thereof;
FIG. 4 is a left side elevational view thereof;
FIG. 5 is a right side elevational view thereof;
FIG. 6 is a top plan view thereof;
FIG. 7 is a bottom plan view thereof; and,
FIG. 8 is another perspective view thereof.

1 Claim, 8 Drawing Sheets



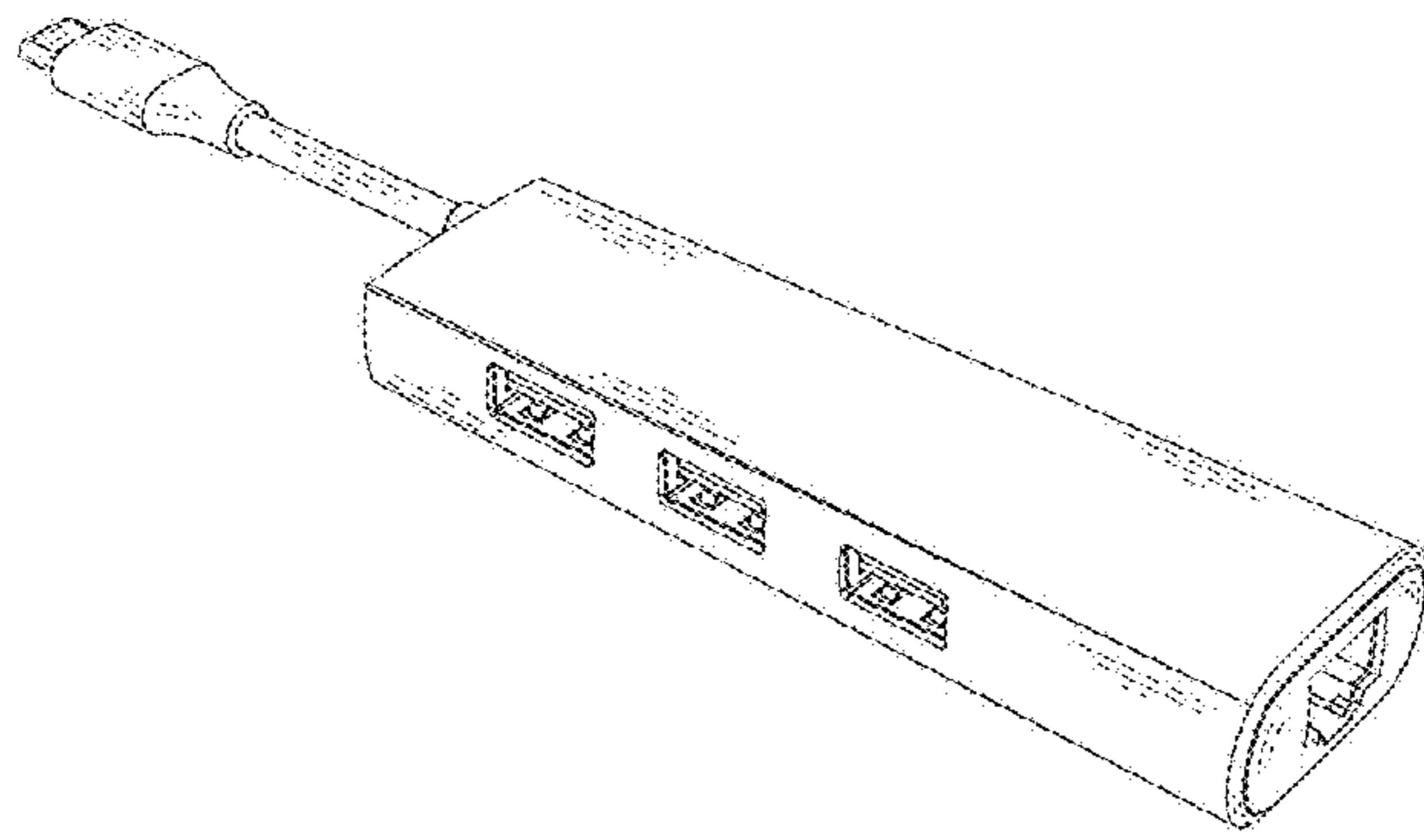


FIG. 1

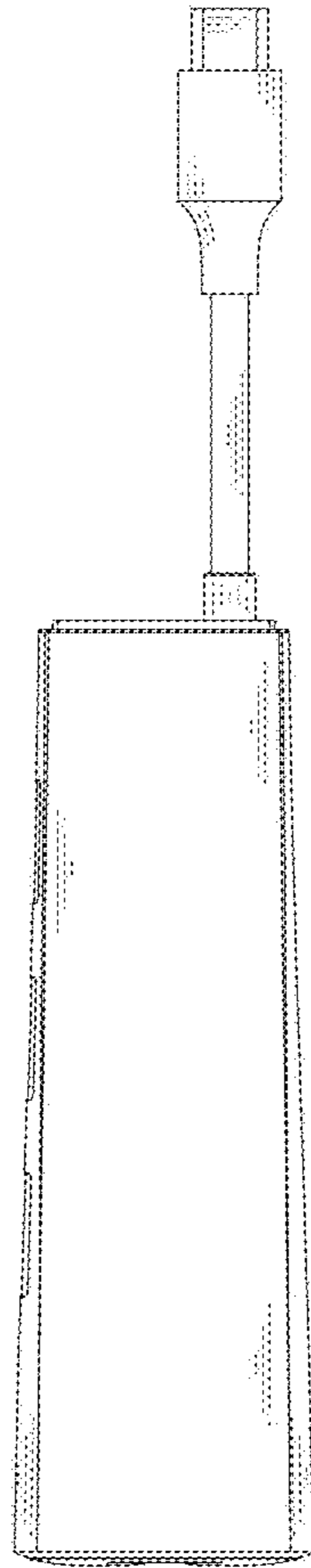


FIG. 2

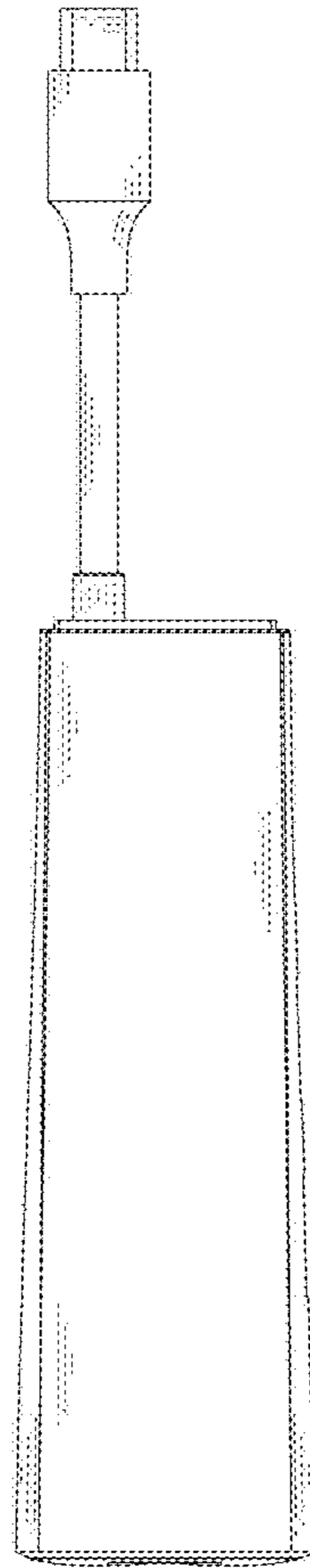


FIG. 3

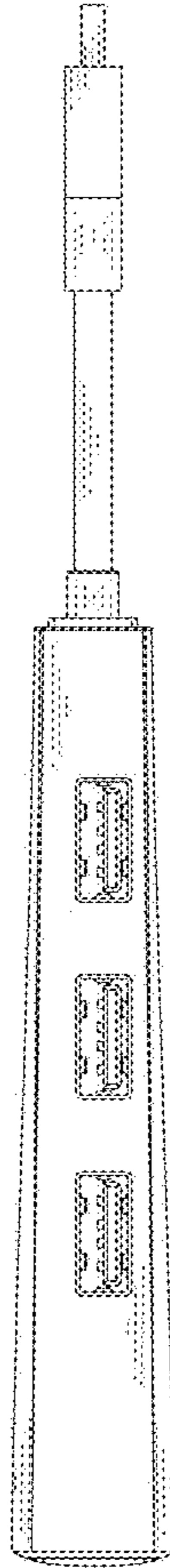


FIG. 4

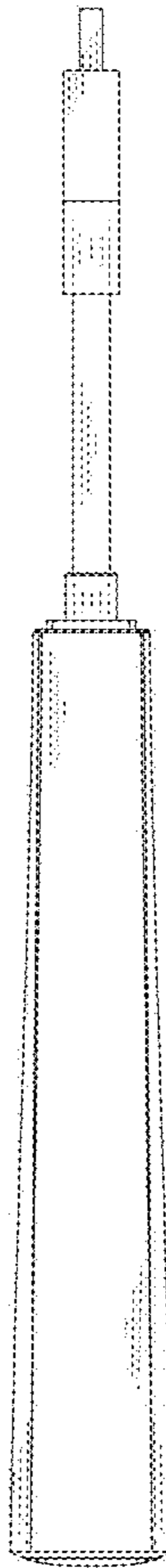


FIG. 5

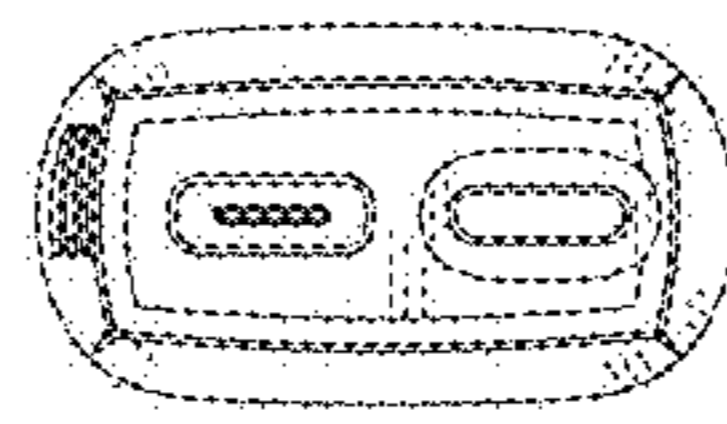


FIG. 6

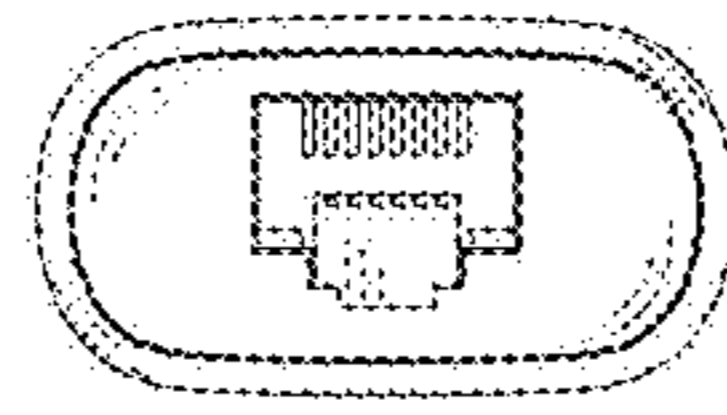


FIG. 7

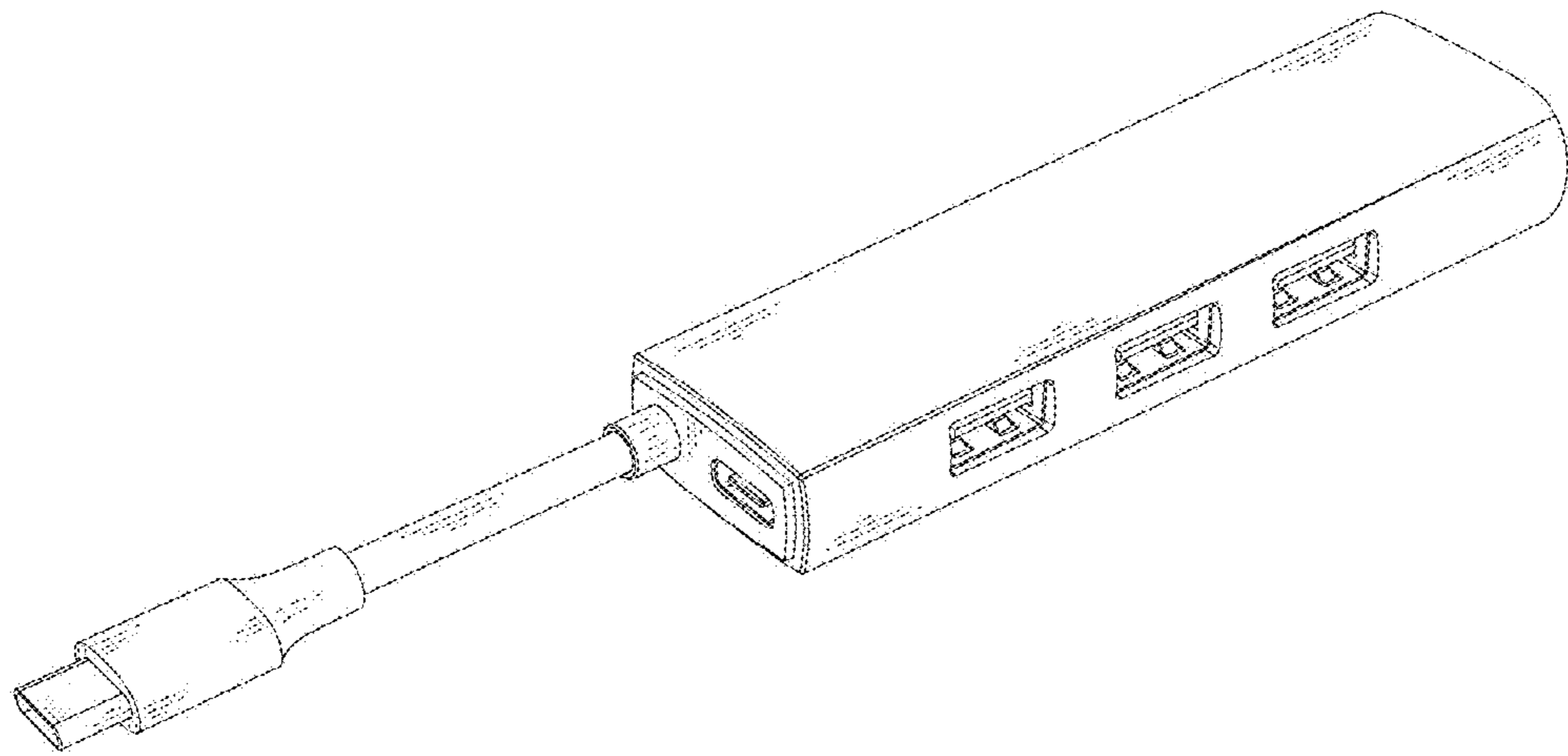


FIG. 8