



US00D940143S

(12) **United States Design Patent**  
**Hashimoto et al.**

(10) **Patent No.:** **US D940,143 S**  
(45) **Date of Patent:** **\*\* Jan. 4, 2022**

(54) **MODULE FOR AN ELECTRONIC PEN**

(71) Applicant: **Wacom Co., Ltd.**, Kazo (JP)

(72) Inventors: **Yoshiyuki Hashimoto**, Wako (JP);  
**Takenori Kaneda**, Shimotsuke (JP);  
**Shinya Aoki**, Kuki (JP)

(73) Assignee: **Wacom Co., Ltd.**, Kazo (JP)

(\*\*) Term: **15 Years**

(21) Appl. No.: **29/799,888**

(22) Filed: **Jul. 16, 2021**

**Related U.S. Application Data**

(62) Division of application No. 29/731,644, filed on Apr. 16, 2020.

(30) **Foreign Application Priority Data**

Oct. 17, 2019 (JP) ..... 2019-023217

(51) **LOC (13) Cl.** ..... **14-02**

(52) **U.S. Cl.**  
USPC ..... **D14/411**

(58) **Field of Classification Search**  
USPC ..... D14/372, 496, 432, 371, 125, 126, 129,  
D14/299, 411; D16/300-342; 351/158,  
351/153, 144; 345/7-9, 905; 455/344;  
348/115, 53, 121, 739  
CPC ..... G02B 27/017; G06F 3/016; G06F 3/033;  
G06F 3/0317; G06F 3/03545; G06F  
3/041; G06K 9/222  
See application file for complete search history.

(56) **References Cited**

**U.S. PATENT DOCUMENTS**

D310,684 S 9/1990 Itoh  
D770,456 S 11/2016 Akana et al.

D786,253 S \* 5/2017 Akana ..... D14/411  
D796,511 S \* 9/2017 Akana ..... D14/411  
D796,512 S \* 9/2017 Akana ..... D14/411  
D826,231 S \* 8/2018 Akana ..... D14/411  
D860,205 S \* 9/2019 Akana ..... D14/411  
D886,822 S 6/2020 Mitchell

**FOREIGN PATENT DOCUMENTS**

JP D1563170 S 11/2016

\* cited by examiner

*Primary Examiner* — Austin Murphy

(74) *Attorney, Agent, or Firm* — Christensen O'Connor  
Johnson Kindness PLLC

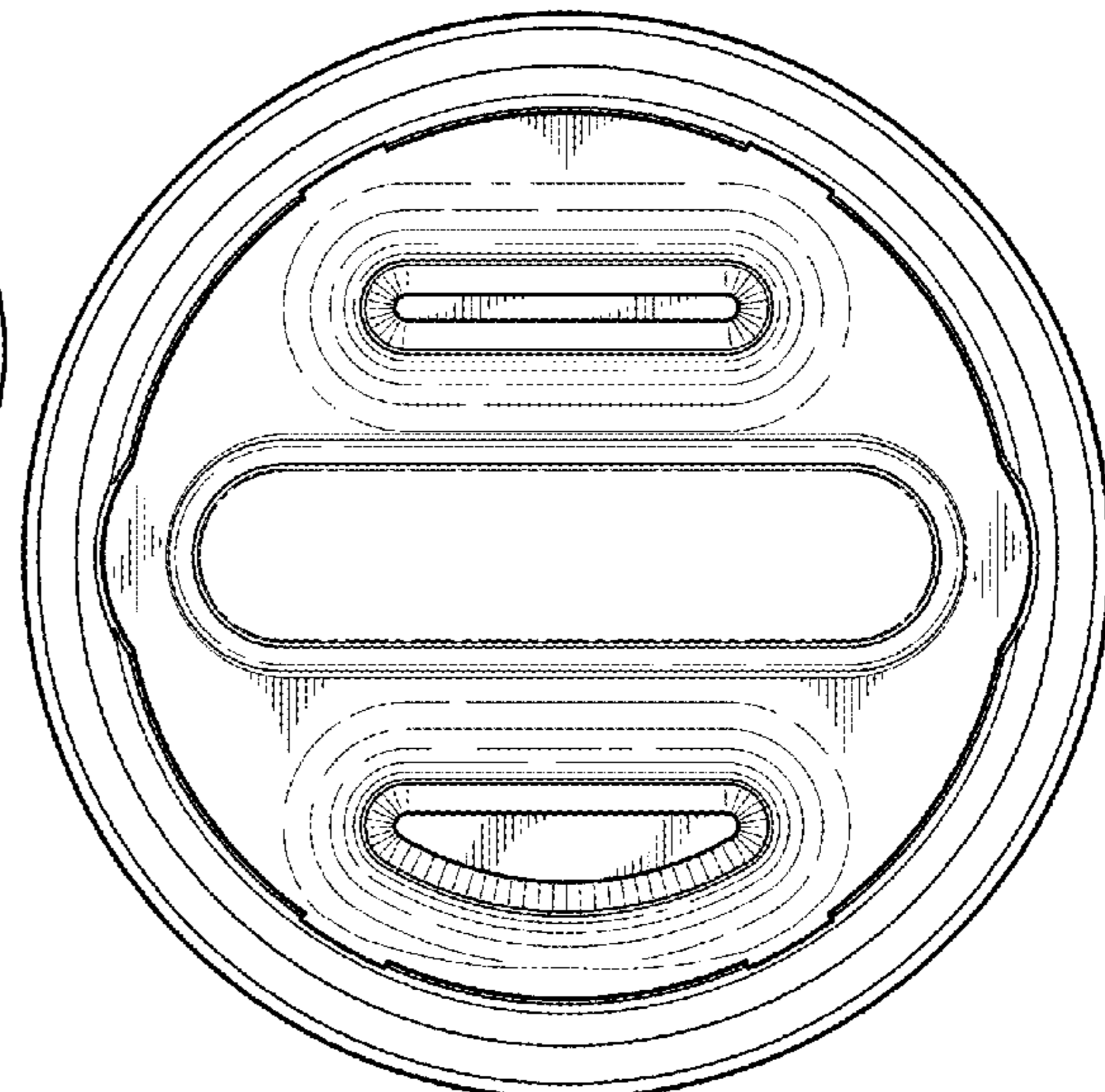
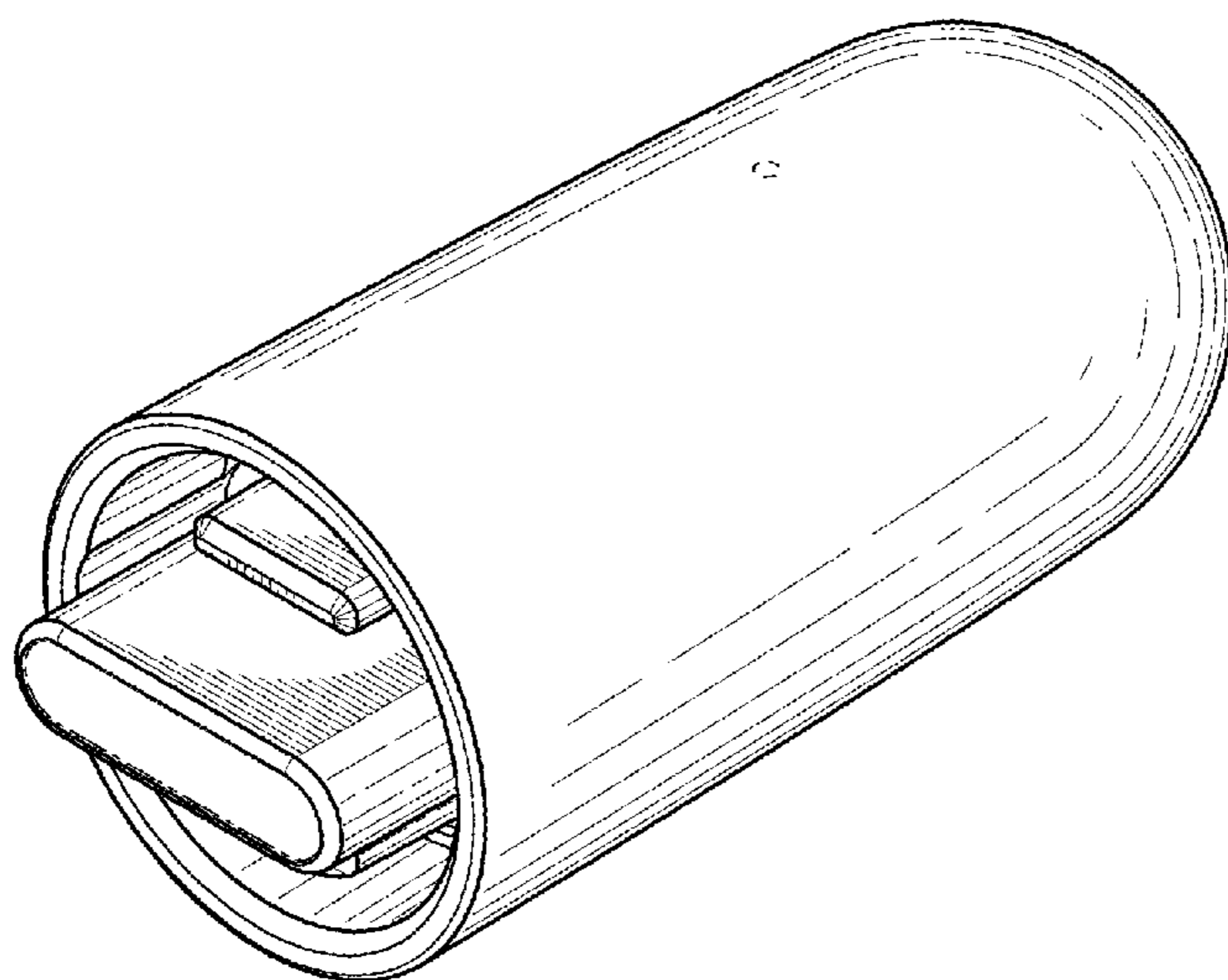
(57) **CLAIM**

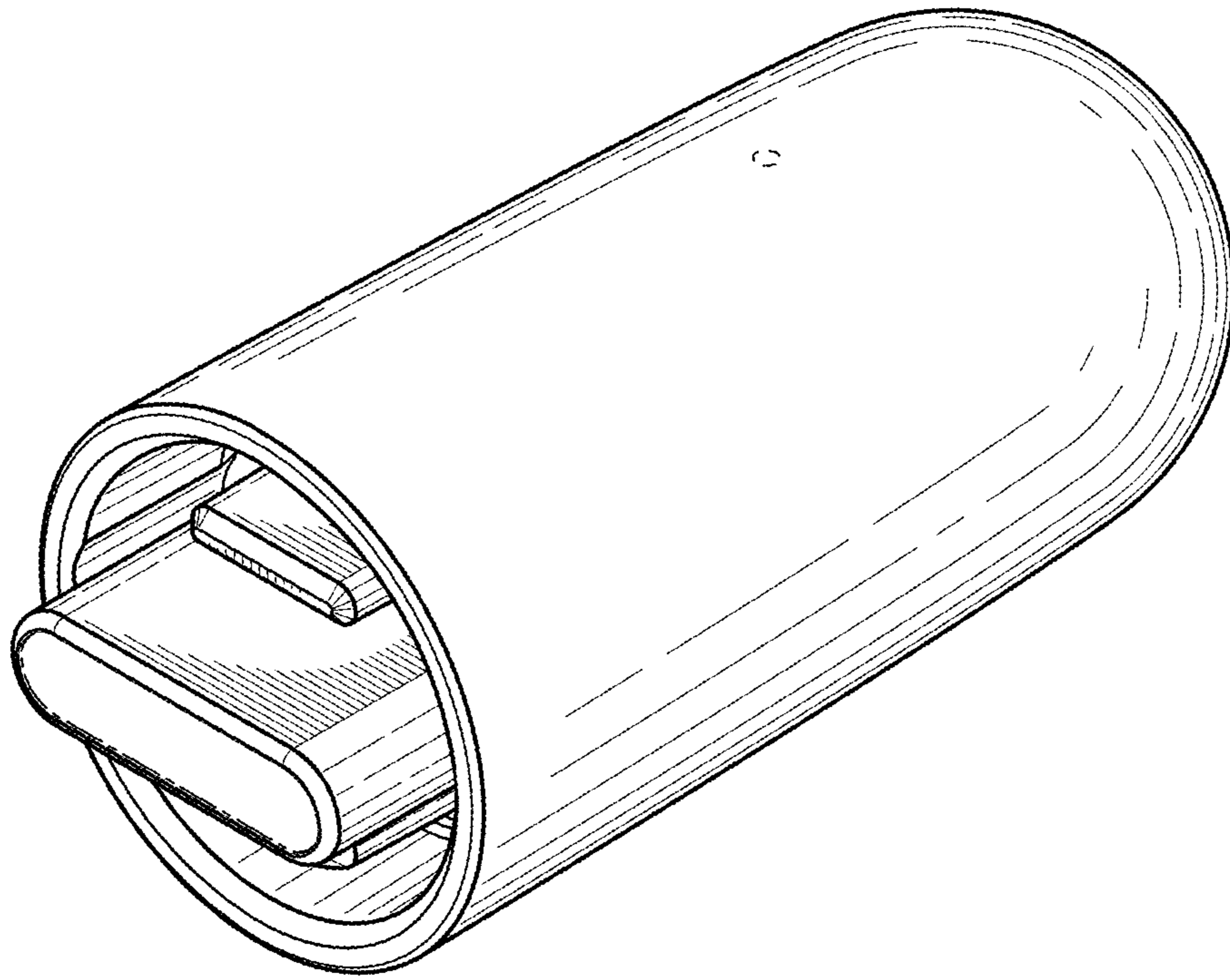
The ornamental design for a module for an electronic pen,  
as shown and described.

**DESCRIPTION**

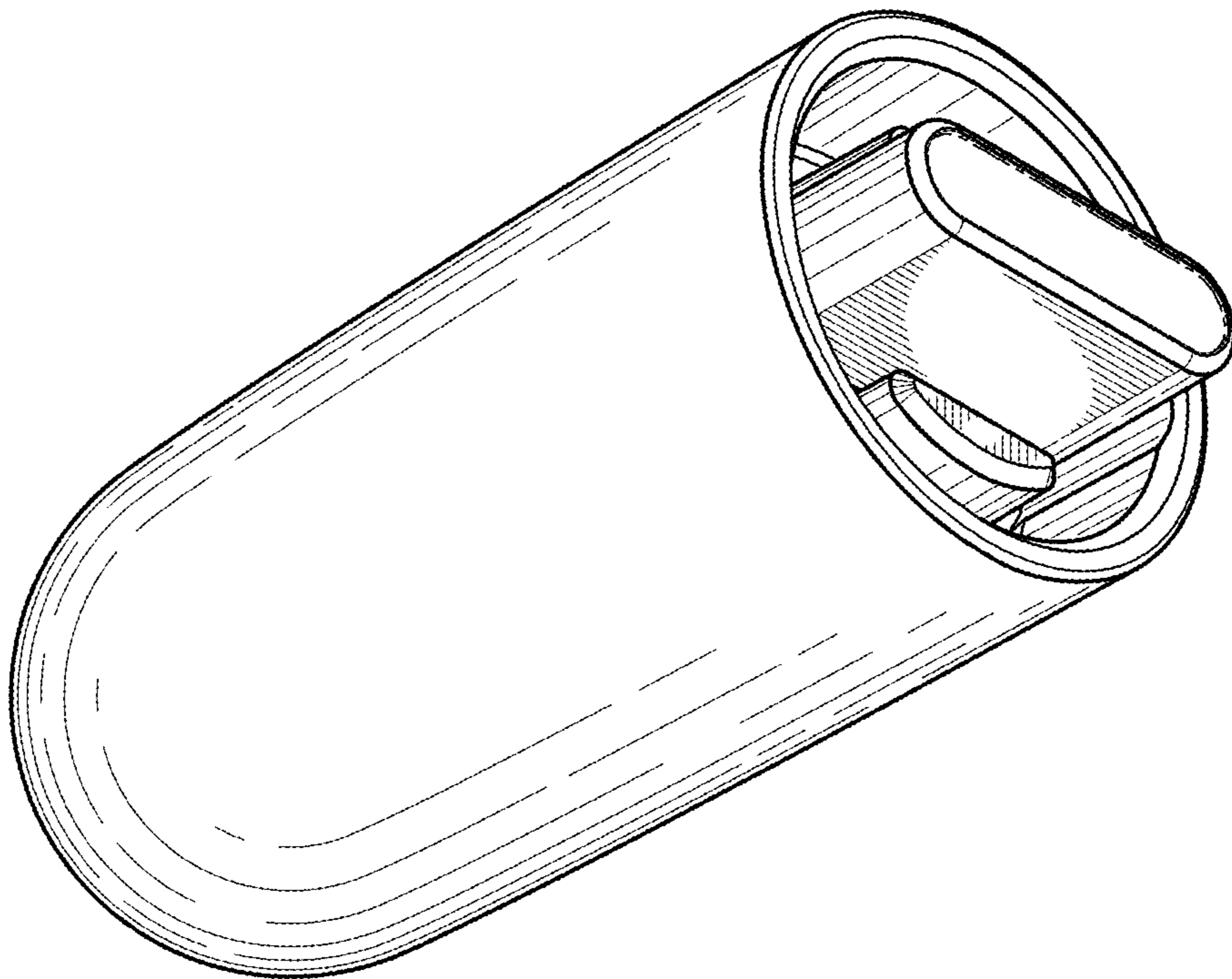
FIG. 1 is a top-right-front perspective view of a representative embodiment of a module for an electronic pen according to our new design;  
FIG. 2 is a bottom-left-front perspective view thereof;  
FIG. 3 is a right-side elevational view thereof, wherein the left-side elevational view is a mirror image of the right-side elevational view;  
FIG. 4 is a top plan view thereof;  
FIG. 5 is a bottom plan view thereof;  
FIG. 6 is a front elevational view thereof; and,  
FIG. 7 is a rear elevational view thereof.  
The dashed broken lines in the drawings show portions of the module for an electronic pen that form no part of the claimed design.

**1 Claim, 3 Drawing Sheets**

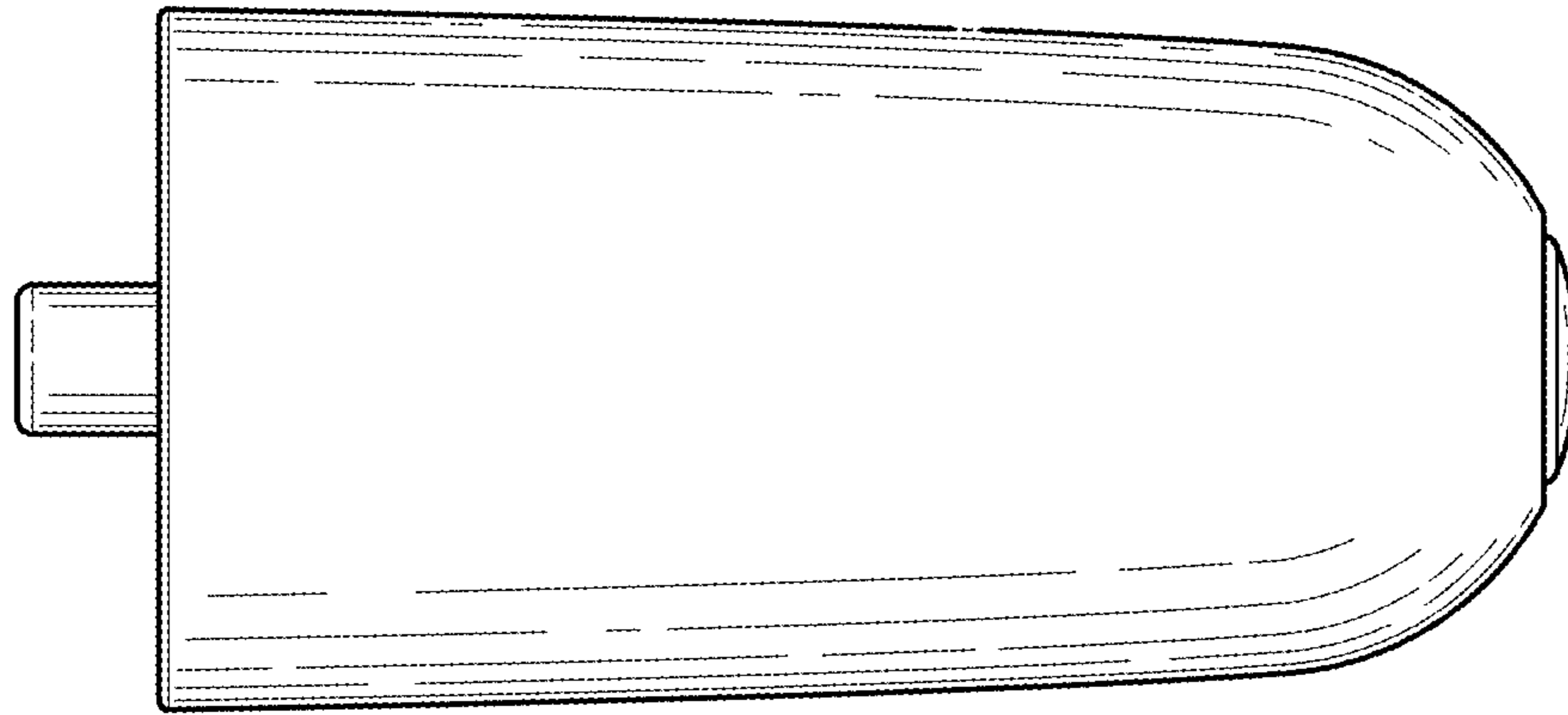




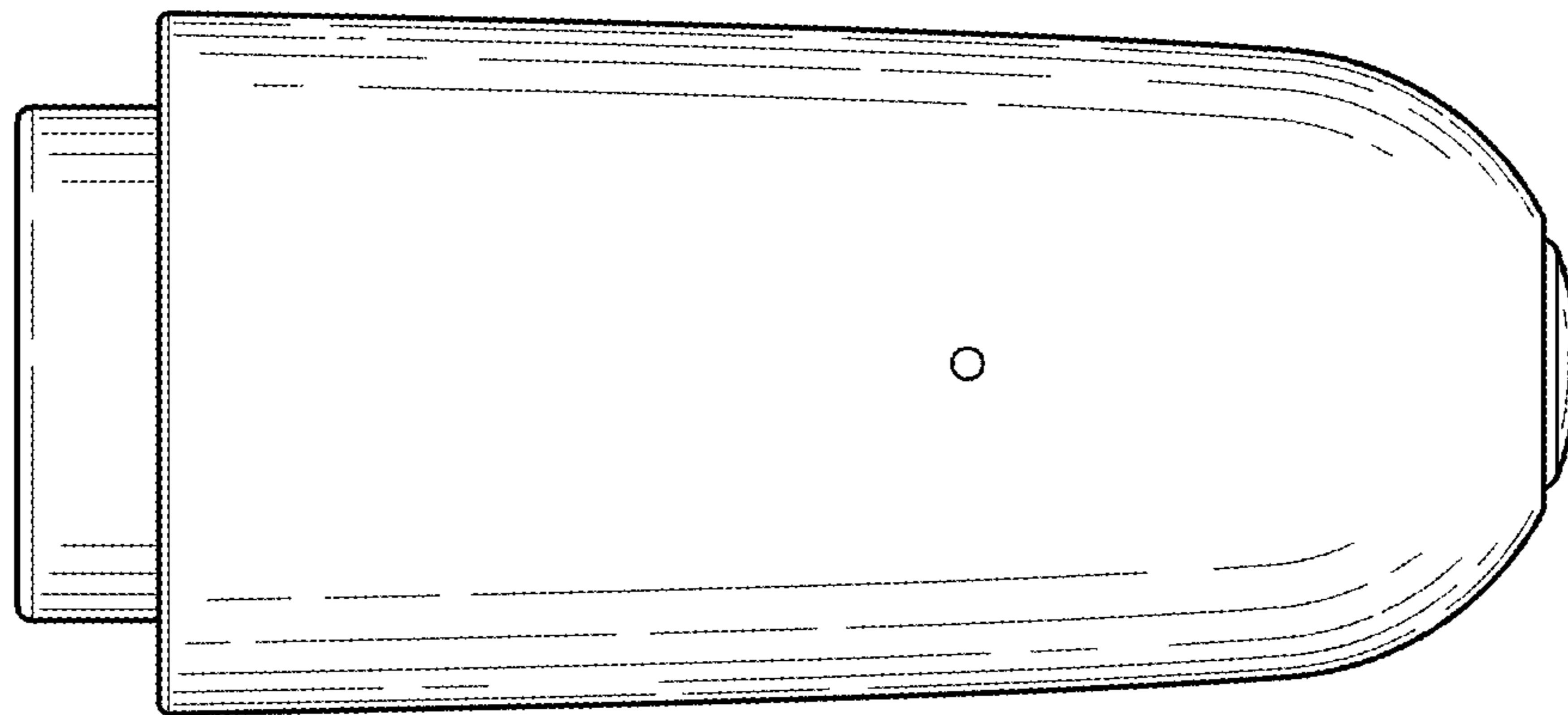
*Fig. 1.*



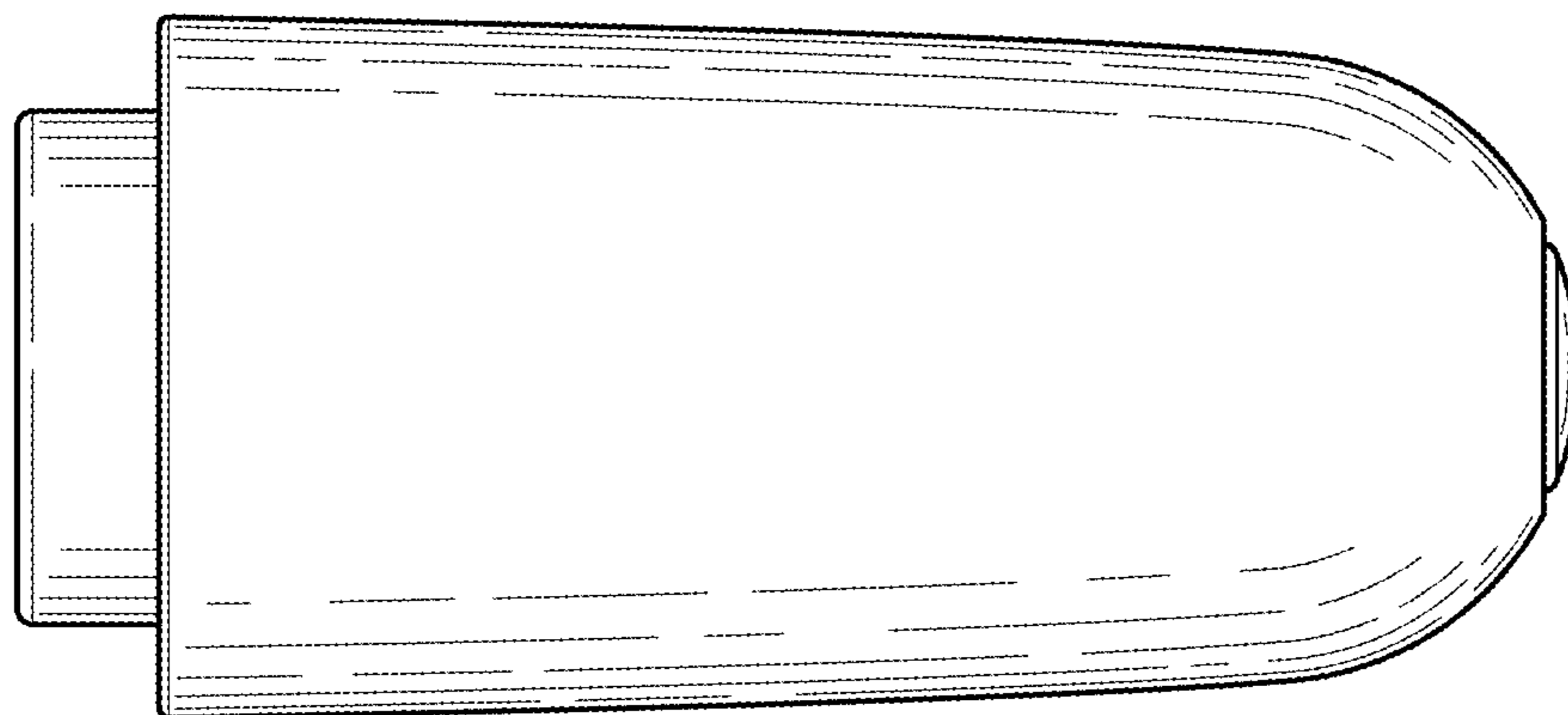
*Fig. 2.*



*Fig. 3.*

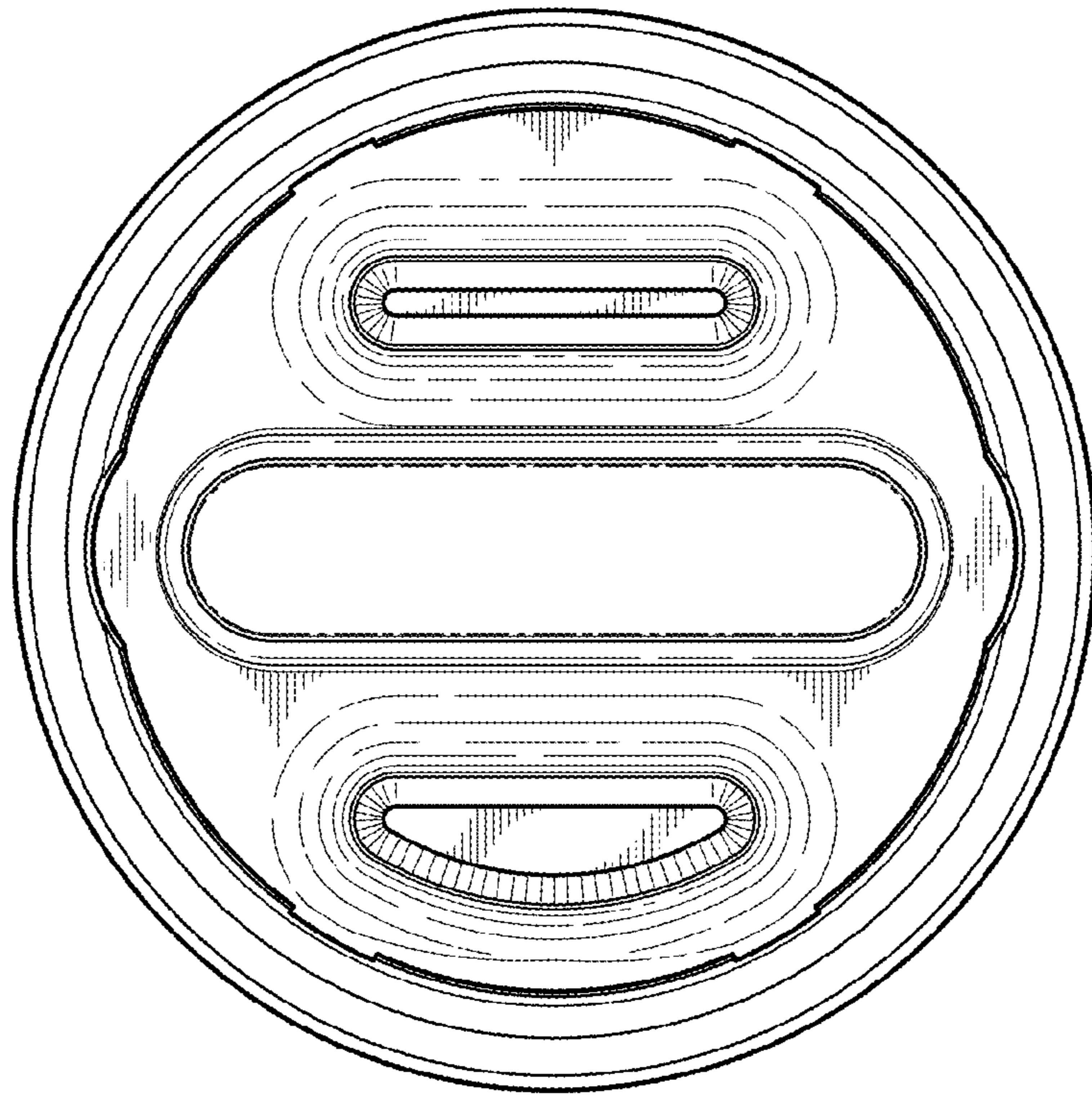


*Fig. 4.*

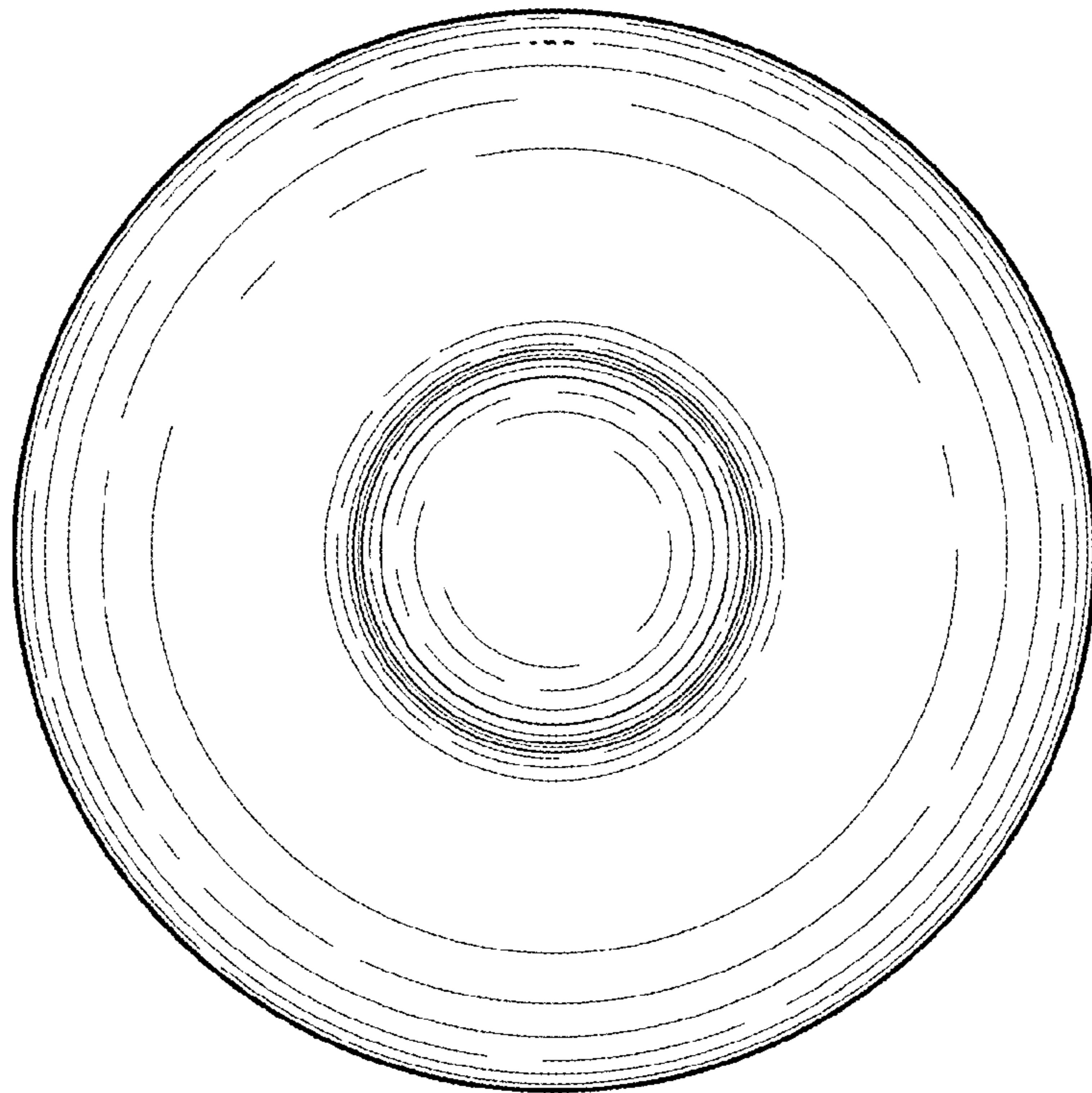


*Fig. 5.*





*Fig. 6.*



*Fig. 7.*