

US00D940142S

(12) **United States Design Patent**  
**Kanno**

(10) **Patent No.:** **US D940,142 S**  
(45) **Date of Patent:** **\*\* Jan. 4, 2022**

(54) **CARTRIDGE FOR COORDINATE INPUT INSTRUMENT**

FOREIGN PATENT DOCUMENTS

(71) Applicant: **Wacom Co., Ltd.**, Kazo (JP)

JP O1510604 S 11/2014

(72) Inventor: **Teppei Kanno**, Toyko (JP)

\* cited by examiner

(73) Assignee: **Wacom Co., Ltd.**, Kazo (JP)

*Primary Examiner* — Austin Murphy

(\*\*) Term: **15 Years**

(74) *Attorney, Agent, or Firm* — Christensen O'Connor Johnson Kindness PLLC

(21) Appl. No.: **29/744,509**

(57) **CLAIM**

(22) Filed: **Jul. 29, 2020**

The ornamental design for a cartridge for coordinate input instrument, as shown and described.

(30) **Foreign Application Priority Data**

Jan. 30, 2020 (JP) ..... 2020-001634

**DESCRIPTION**

(51) **LOC (13) Cl.** ..... **14-02**

(52) **U.S. Cl.**  
USPC ..... **D14/411**

(58) **Field of Classification Search**  
USPC ..... D14/372, 496, 432, 371, 125, 126, 129,  
D14/299, 411; D16/300-342; 351/158,  
351/153, 144; 345/7-9, 905; 455/344;  
348/115, 53, 121, 739  
CPC ..... G02B 27/017; G06F 3/016; G06F 3/033;  
G06F 3/0317; G06F 3/03545; G06F  
3/041; G06K 9/222  
See application file for complete search history.

FIG. 1 is a front-bottom-right perspective view of a cartridge for coordinate input instrument according to an embodiment of my new design;  
FIG. 2 is a rear-top-left perspective view thereof;  
FIG. 3 is a front elevational view thereof;  
FIG. 4 is a right side elevational view thereof, wherein the left side elevational view is a mirror image of the right side elevational view;  
FIG. 5 is a rear elevational view thereof;  
FIG. 6 is a top plan view thereof;  
FIG. 7 is a bottom plan view thereof;  
FIG. 8 is a partial front-bottom-right perspective view thereof indicated in FIG. 1; and  
FIG. 9 is a partial front elevational view thereof indicated in FIG. 3.

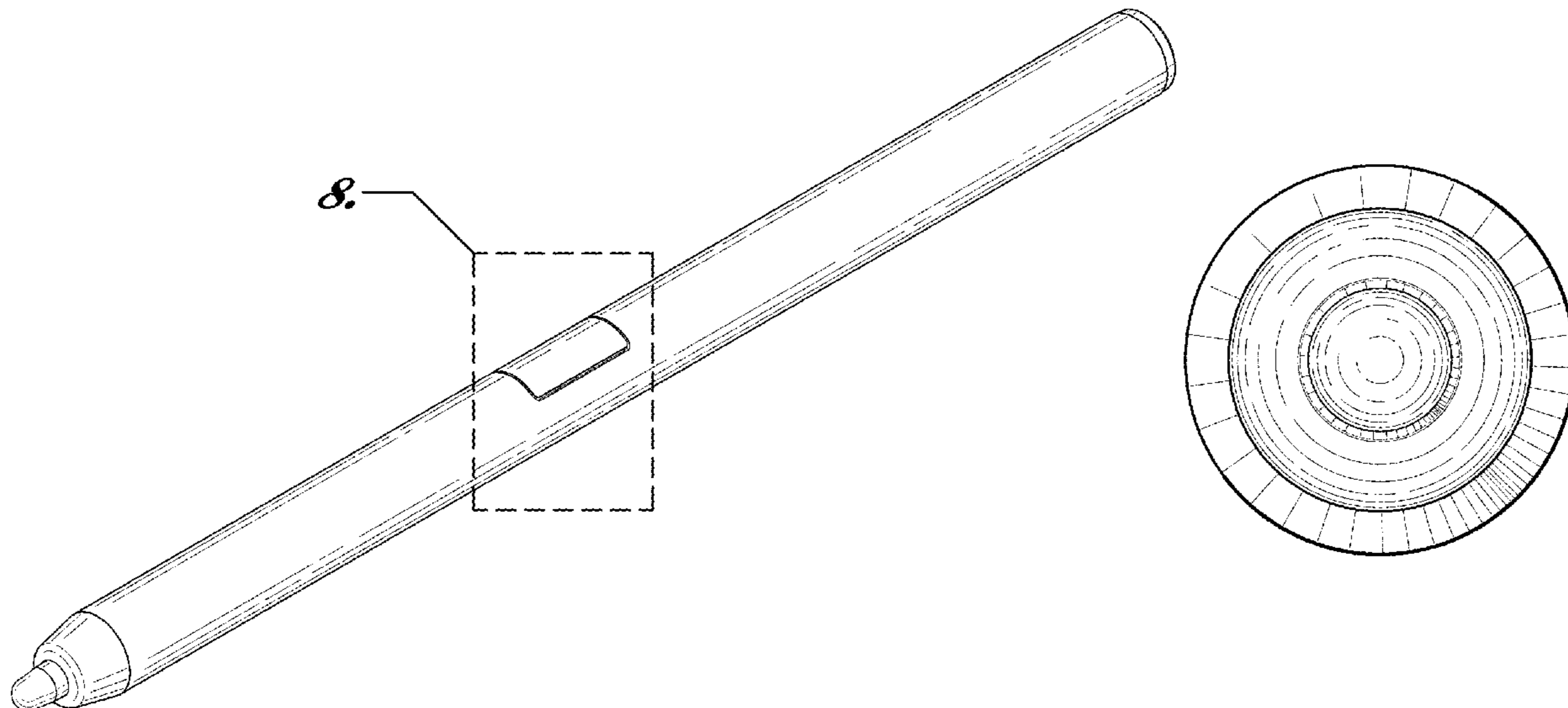
(56) **References Cited**

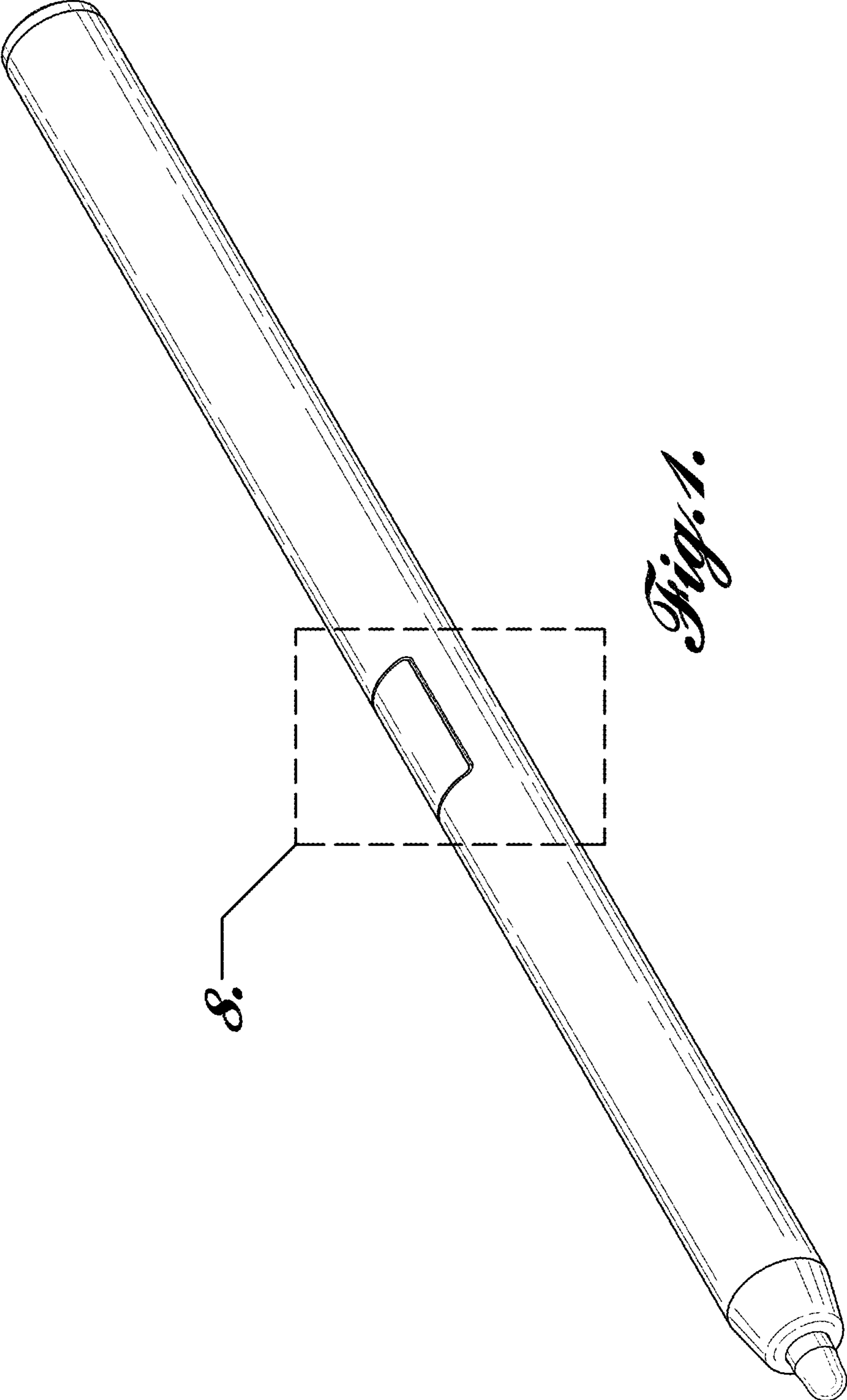
U.S. PATENT DOCUMENTS

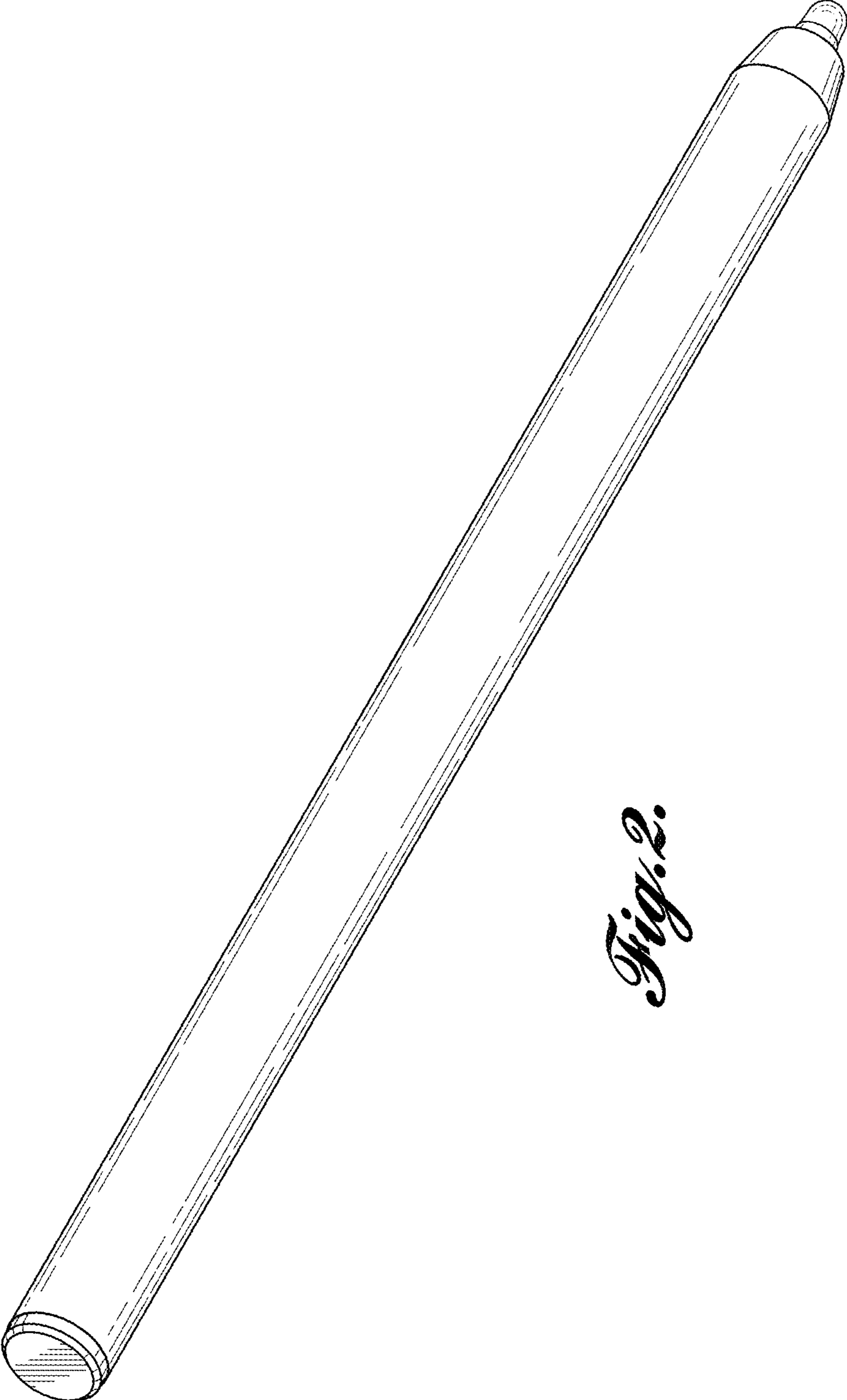
D799,488 S	*	10/2017	Nishizawa	.....	D14/411
D835,106 S	*	12/2018	Hsu	.....	D14/411
D856,335 S	*	8/2019	Lam	.....	D14/411
D895,620 S	*	9/2020	Vadenne	.....	D14/411
D909,380 S	*	2/2021	Liu	.....	D14/411
D911,341 S	*	2/2021	Nishizawa	.....	D14/411
D921,630 S	*	6/2021	Liu	.....	D14/411

The dot-dot-dash broken lines indicate the boundary of the enlarged portions of the drawings. The remaining broken lines in the figures depict portions of the cartridge for coordinate input instrument that form no part of the claimed design.

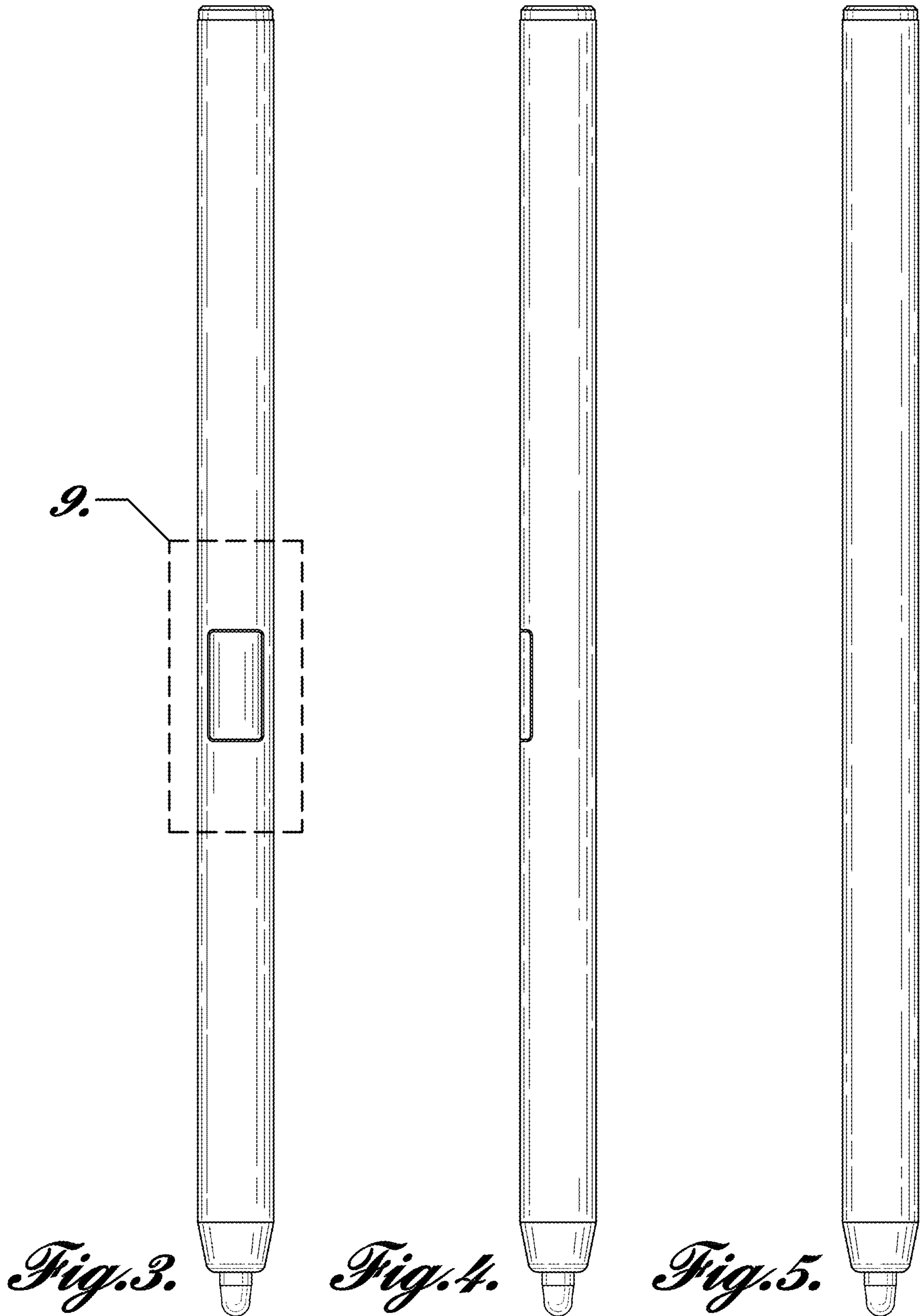
**1 Claim, 5 Drawing Sheets**

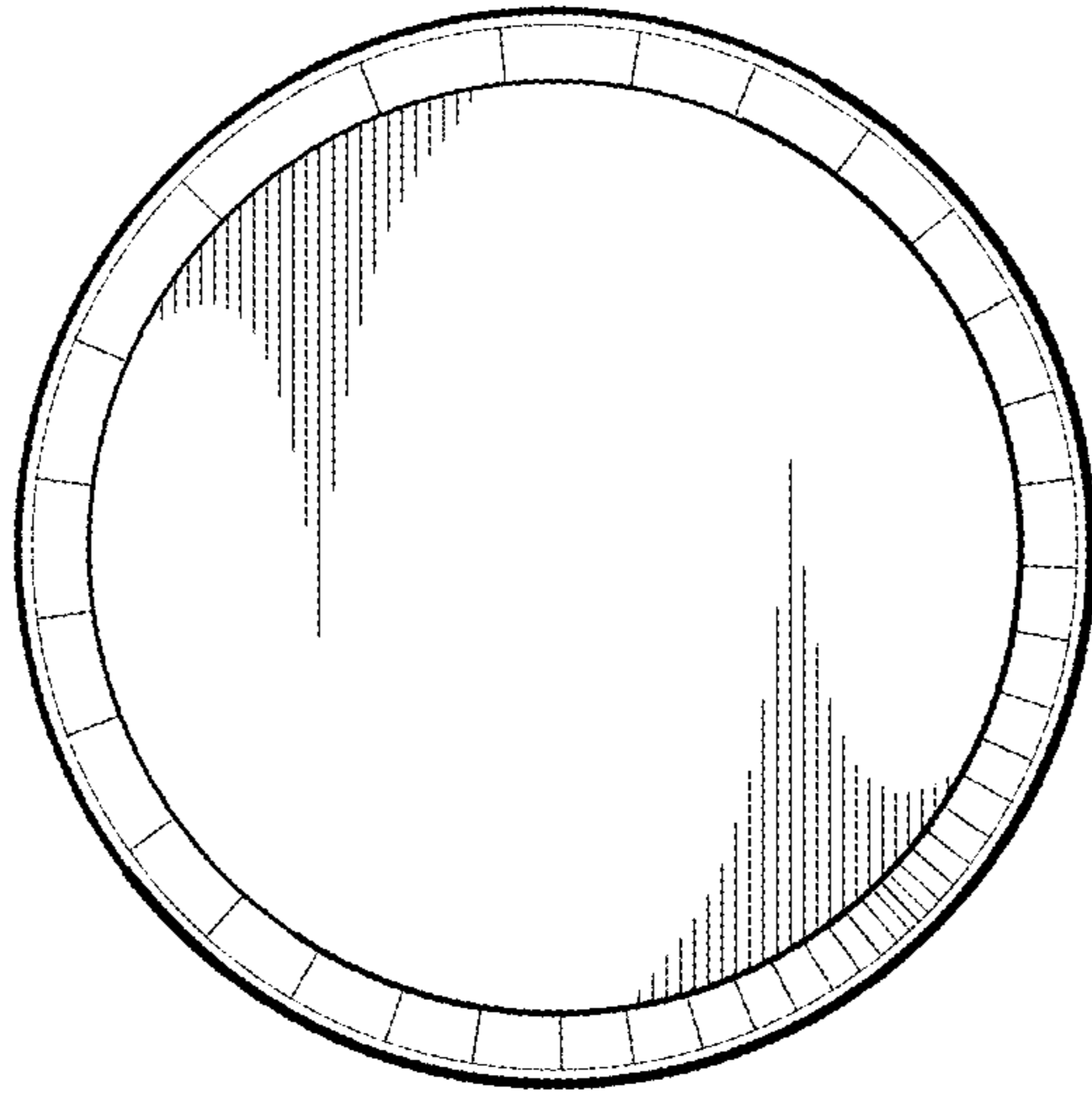




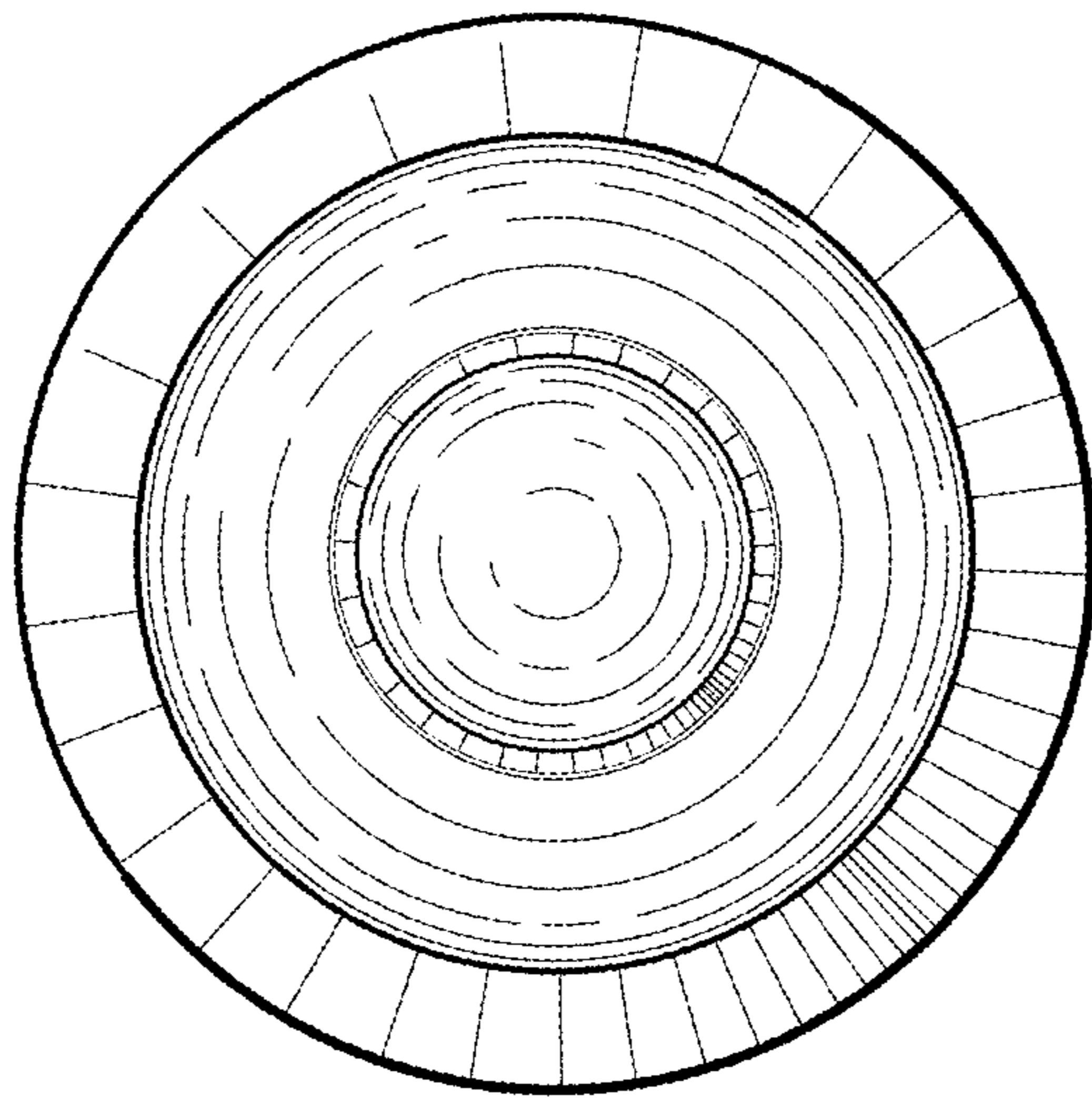


*Fig. 2.*

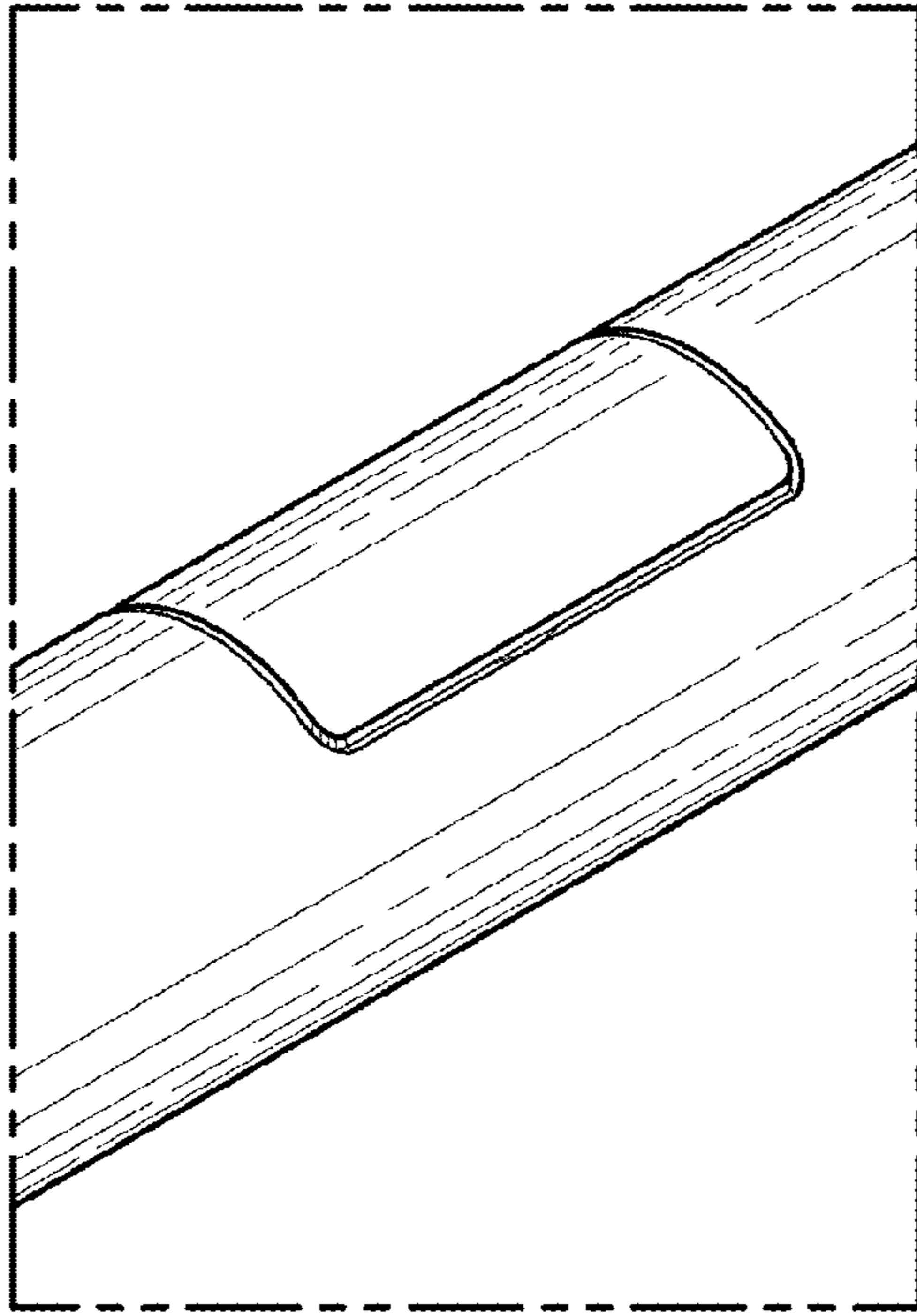




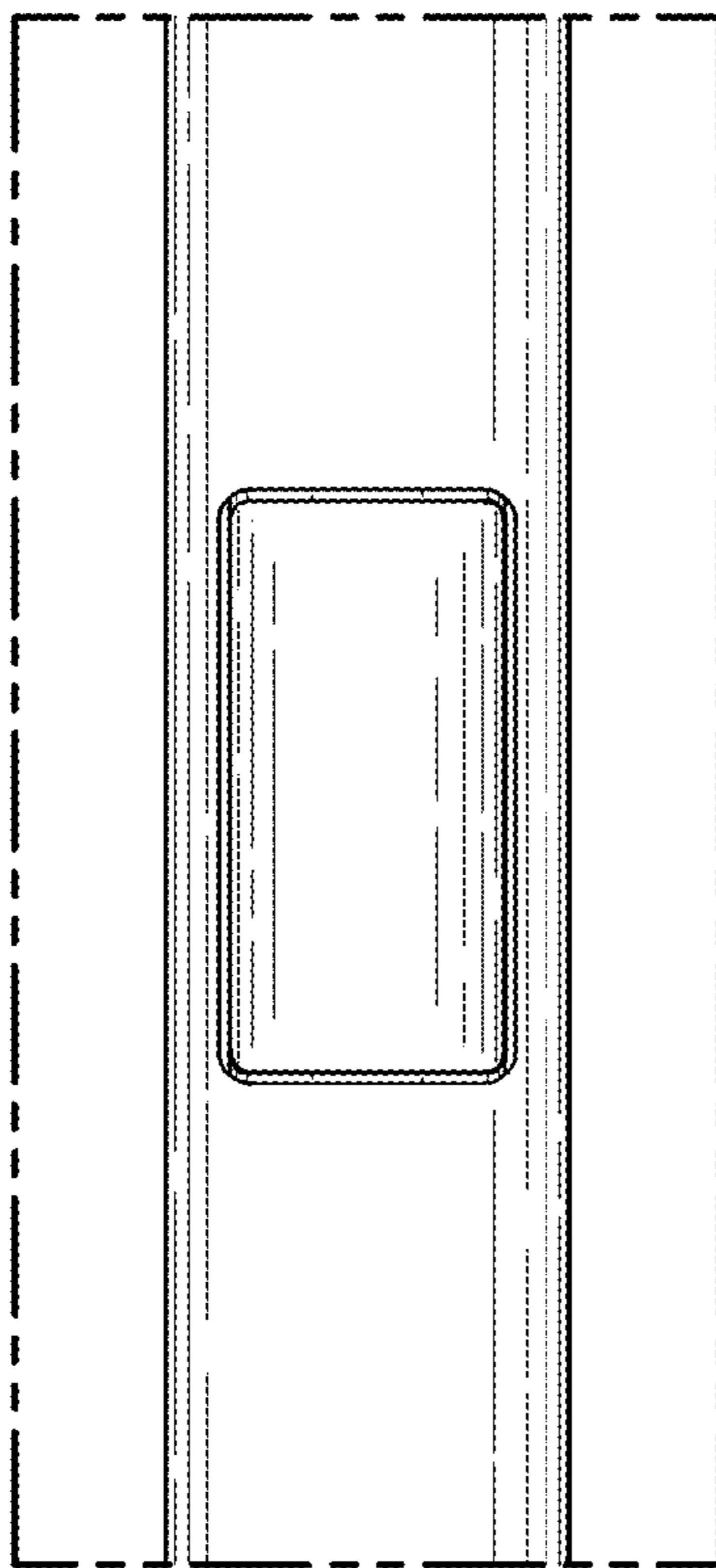
*Fig. 6.*



*Fig. 7.*



*Fig. 8.*



*Fig. 9.*

UNITED STATES PATENT AND TRADEMARK OFFICE  
**CERTIFICATE OF CORRECTION**


PATENT NO. : D940,142 S  
APPLICATION NO. : 29/744509  
DATED : January 4, 2022  
INVENTOR(S) : T. Kanno

Page 1 of 1

It is certified that error appears in the above-identified patent and that said Letters Patent is hereby corrected as shown below:

On the Title Page

Item (72) Inventor change "Toyko" to -- Tokyo --.

Signed and Sealed this  
Tenth Day of January, 2023  
  
Katherine Kelly Vidal  
*Director of the United States Patent and Trademark Office*