



US00D940141S

(12) **United States Design Patent** (10) **Patent No.:** **US D940,141 S**  
**Twohig et al.** (45) **Date of Patent:** **\*\* Jan. 4, 2022**

(54) **INPUT DEVICE**

(71) Applicant: **Logitech Europe S.A.**, Lausanne (CH)

(72) Inventors: **Marcel Twohig**, Dublin (IE); **Yi Hsuan Lin**, New Taipei (TW); **Anish Shakthi Ovia Selvan**, Bangalore (IN);  
**Jean-Christophe Hemes**, Grandson (CH); **Jasper Phua**, Morges (CH);  
**Blaithin Crampton**, County Meath (IE)

(73) Assignee: **Logitech Europe S.A.**, Lausanne (CH)

(\*\*) Term: **15 Years**

(21) Appl. No.: **29/794,440**

(22) Filed: **Jun. 11, 2021**

**Related U.S. Application Data**

(63) Continuation of application No. 29/724,421, filed on Feb. 14, 2020, now Pat. No. Des. 925,538.

(51) **LOC (13) Cl.** ..... **04-02**

(52) **U.S. Cl.**  
USPC ..... **D14/410; D14/402**

(58) **Field of Classification Search**  
USPC ..... D14/402–411, 356, 388, 389, 383–385,  
D14/417, 426; 345/156–167; 463/36–38;  
358/471, 473; 273/148 B  
CPC ..... G06F 3/03543; G06F 2203/0333; G06F  
3/039; G06F 3/038; G06F 2203/0384  
See application file for complete search history.

(56) **References Cited**

**U.S. PATENT DOCUMENTS**

D813,869 S *	3/2018	Hu	.....	D14/402
D820,262 S *	6/2018	Shayani	.....	D14/410
D903,668 S *	12/2020	Carey	.....	D14/402
D908,698 S *	1/2021	Chong	.....	D14/402
D908,699 S *	1/2021	Xu	.....	D14/402
D908,700 S *	1/2021	Chan	.....	D14/402
D909,376 S *	2/2021	Chan	.....	D14/402
D920,977 S *	6/2021	Chong	.....	D14/409
D925,537 S *	7/2021	Carey	.....	D14/409
D925,538 S *	7/2021	Twohig	.....	D14/410
D926,761 S *	8/2021	Xu	.....	D14/402

\* cited by examiner

*Primary Examiner* — Austin Murphy

(74) *Attorney, Agent, or Firm* — Kilpatrick Townsend & Stockton LLP

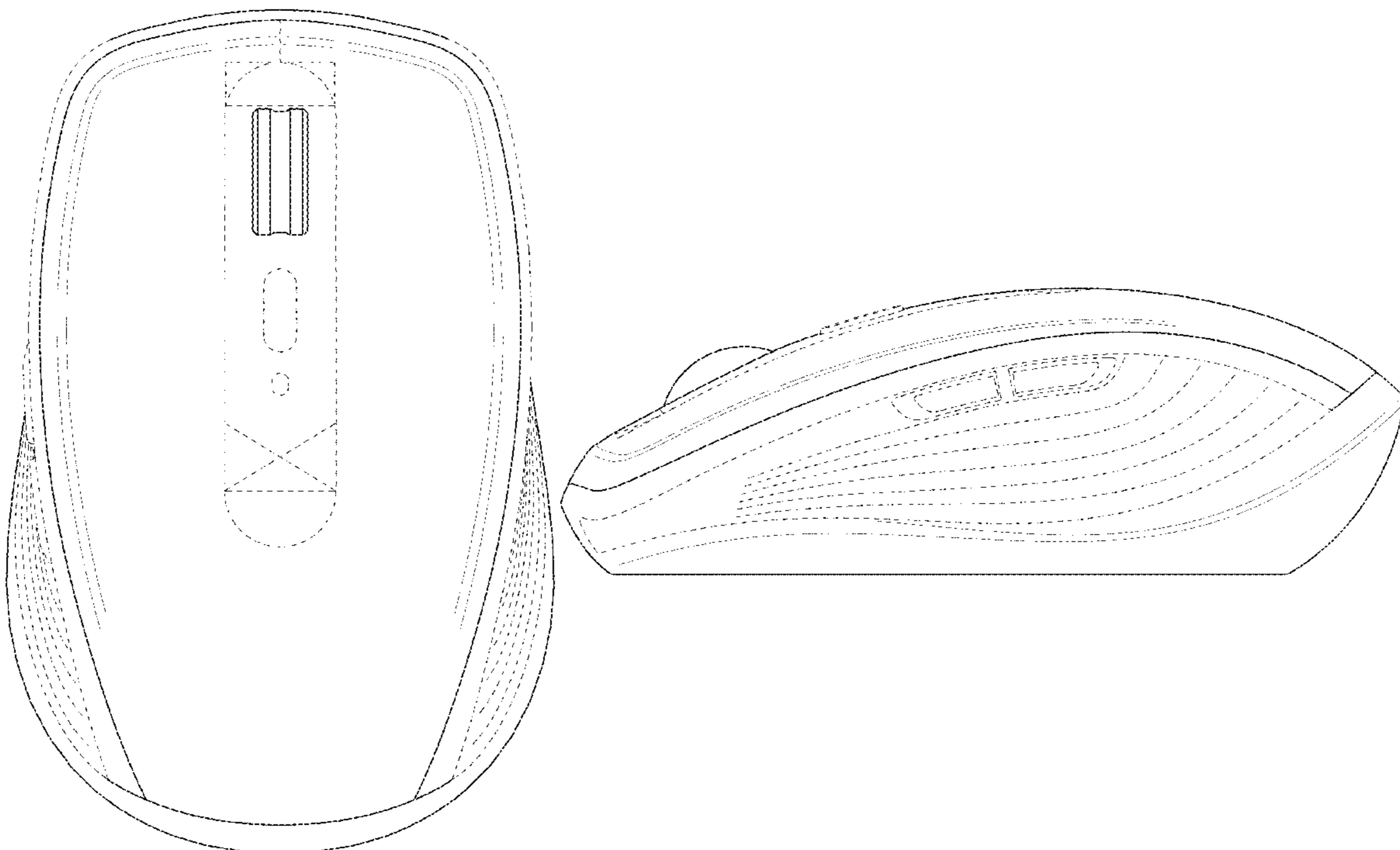
(57) **CLAIM**

The ornamental design for an input device, as shown and described.

**DESCRIPTION**

FIG. 1 is a perspective view of an input device showing my new design;  
FIG. 2 is a top plan view thereof;  
FIG. 3 is a bottom plan view thereof;  
FIG. 4 is a front side elevation view thereof;  
FIG. 5 is a rear side elevation view thereof;  
FIG. 6 is a left side elevation view thereof; and,  
FIG. 7 is a right side elevation view thereof.  
The broken lines depict portions of the input device in which the design is embodied that form no part of the claimed design.

**1 Claim, 6 Drawing Sheets**



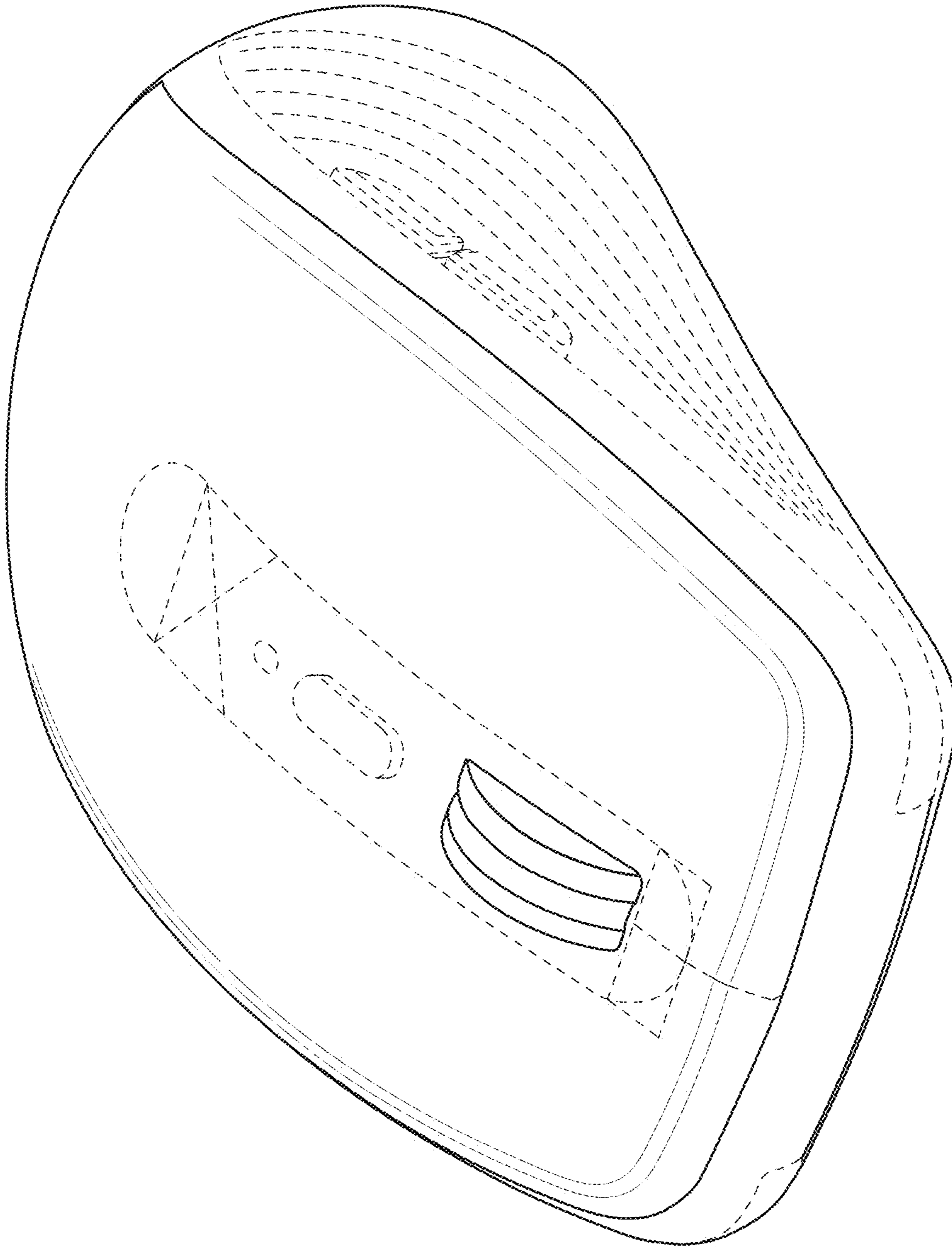


FIG. 1

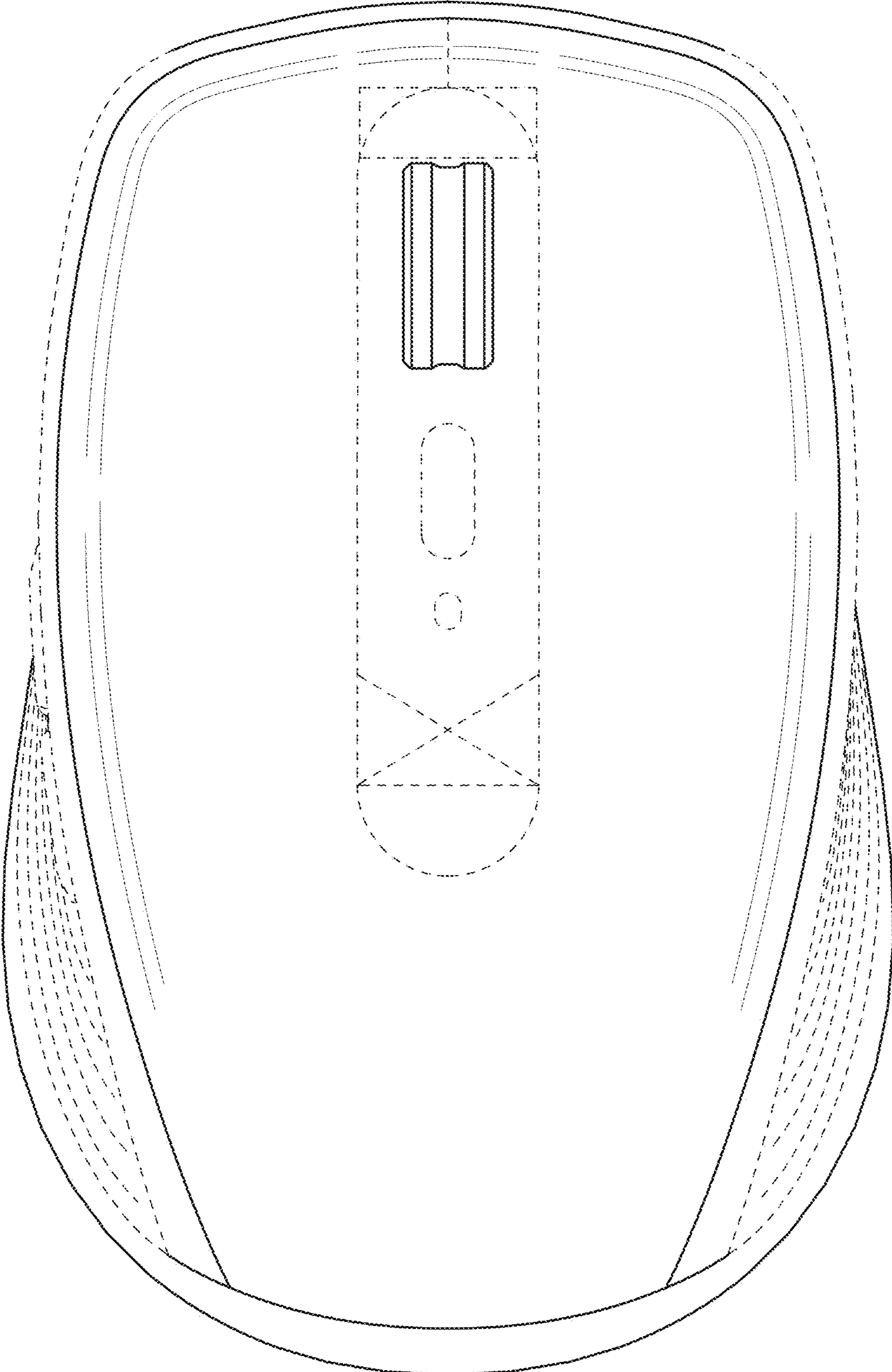


FIG. 2

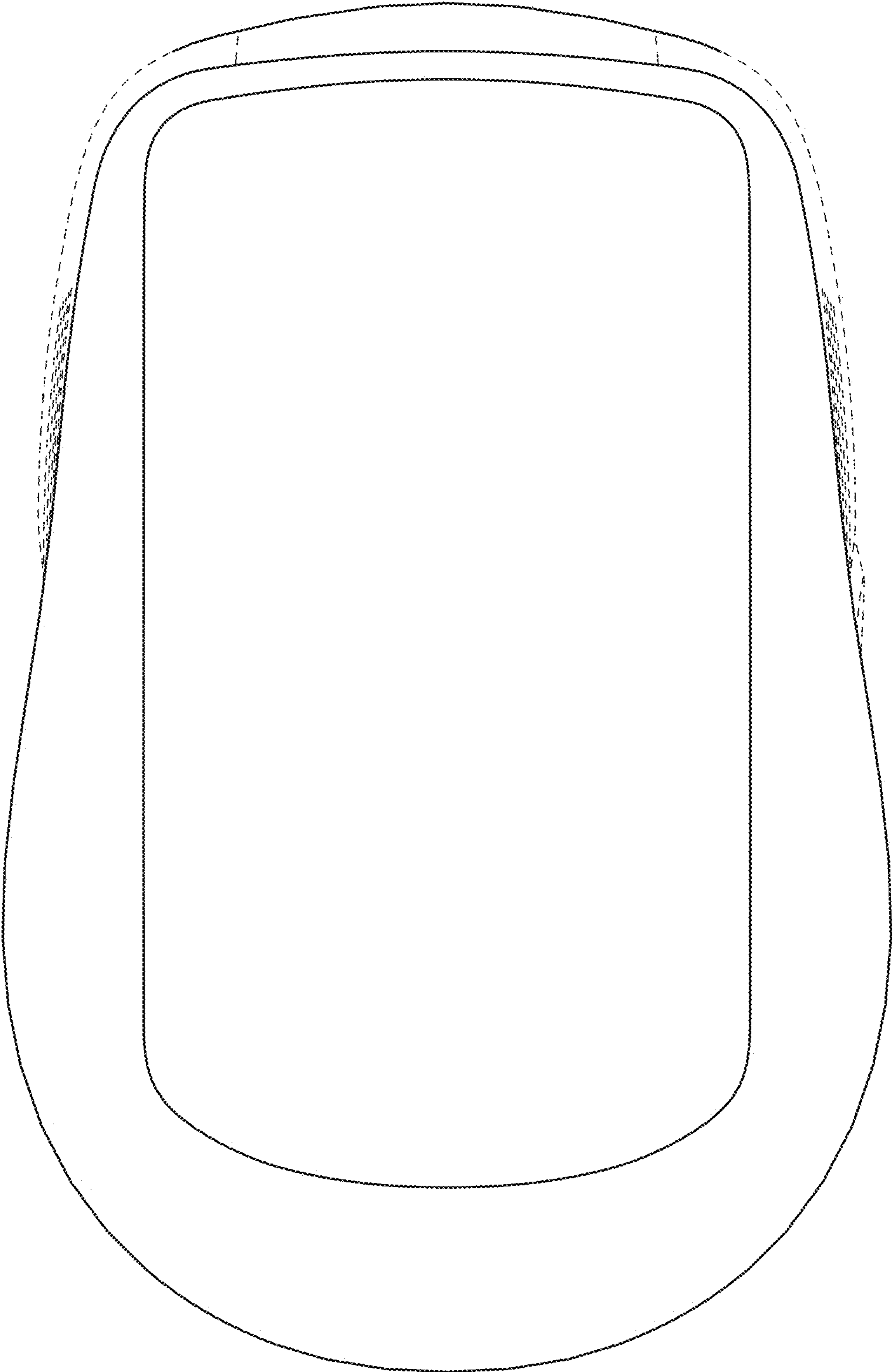


FIG. 3



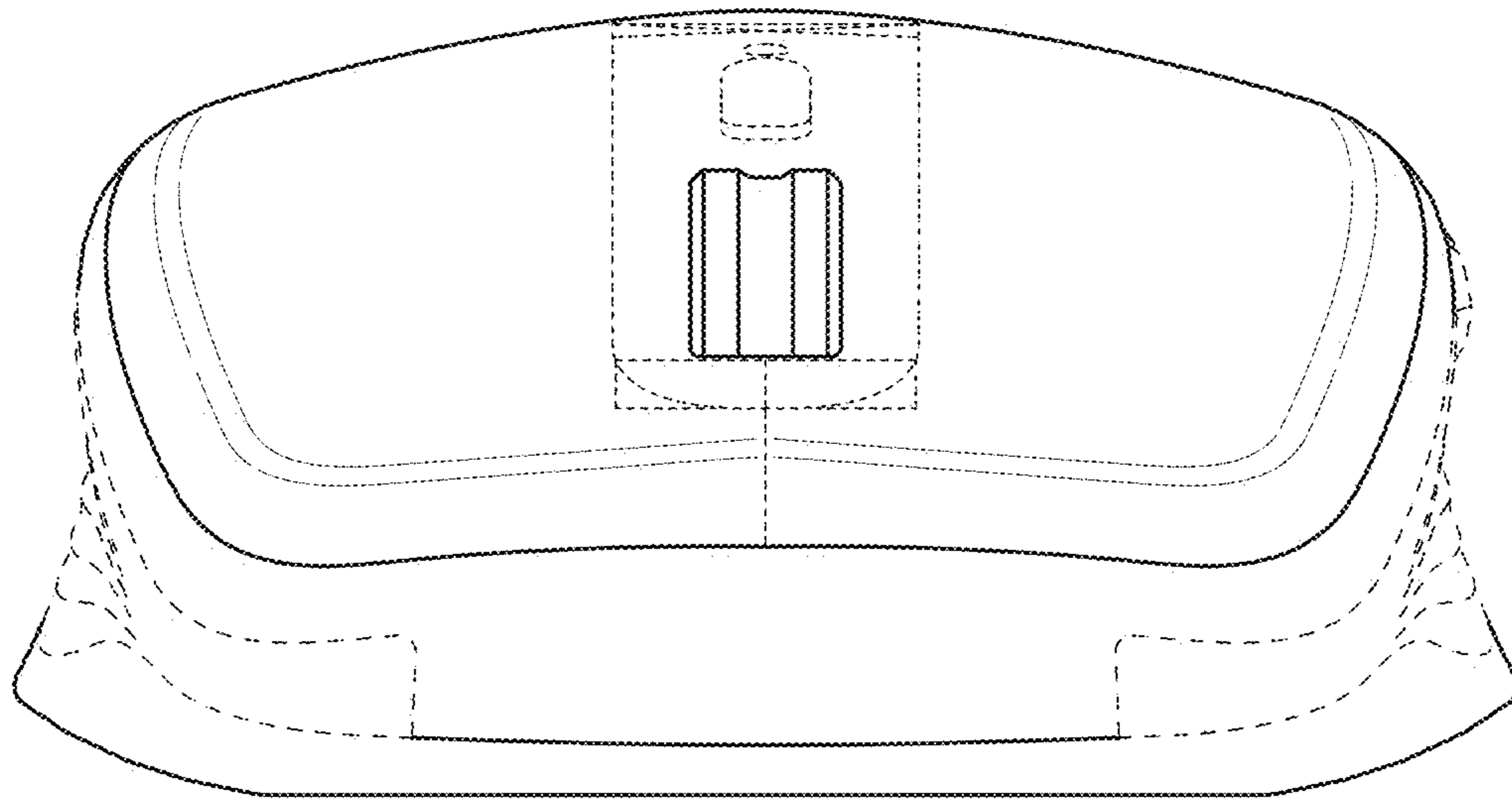


FIG. 4

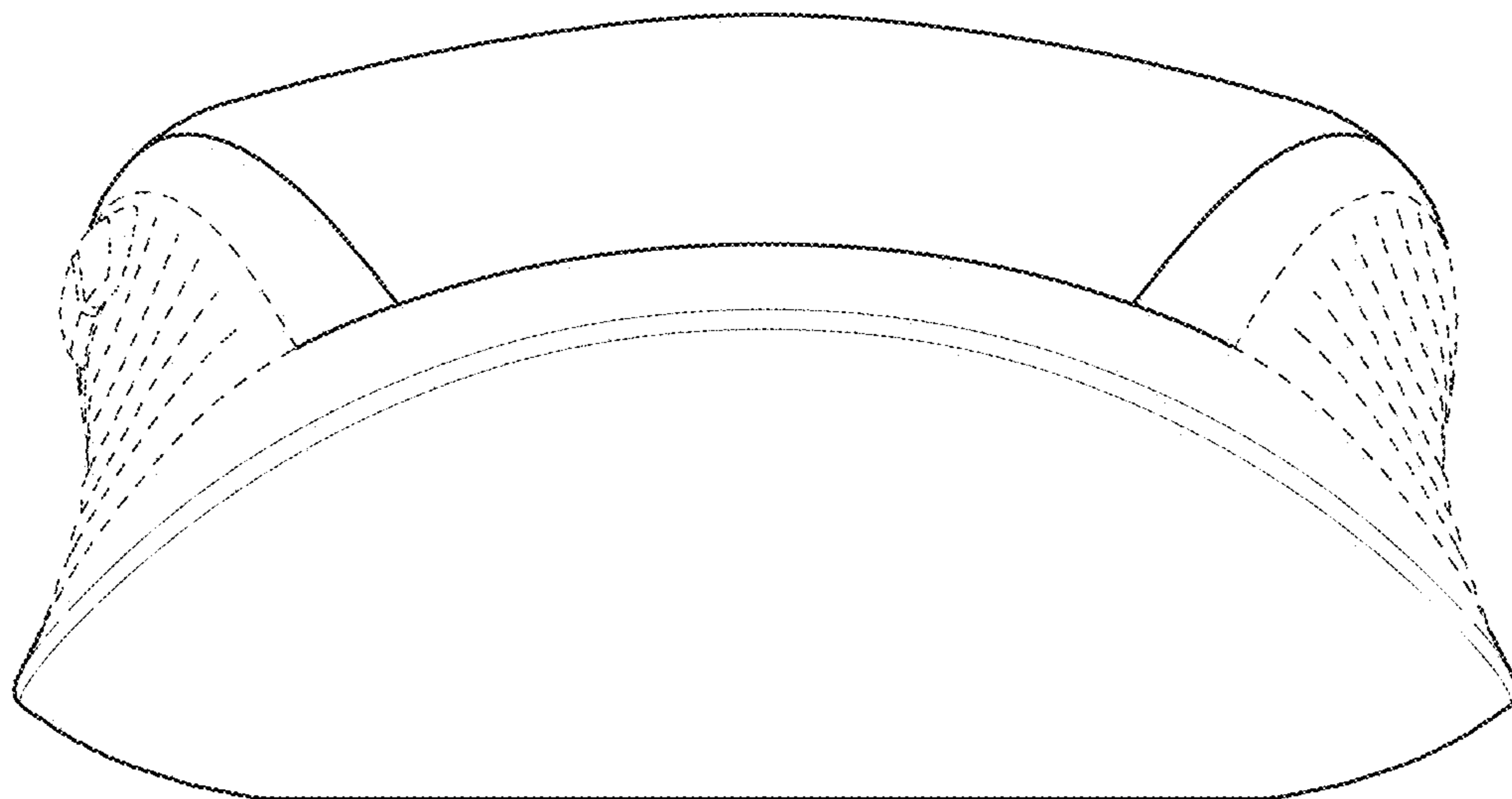


FIG. 5

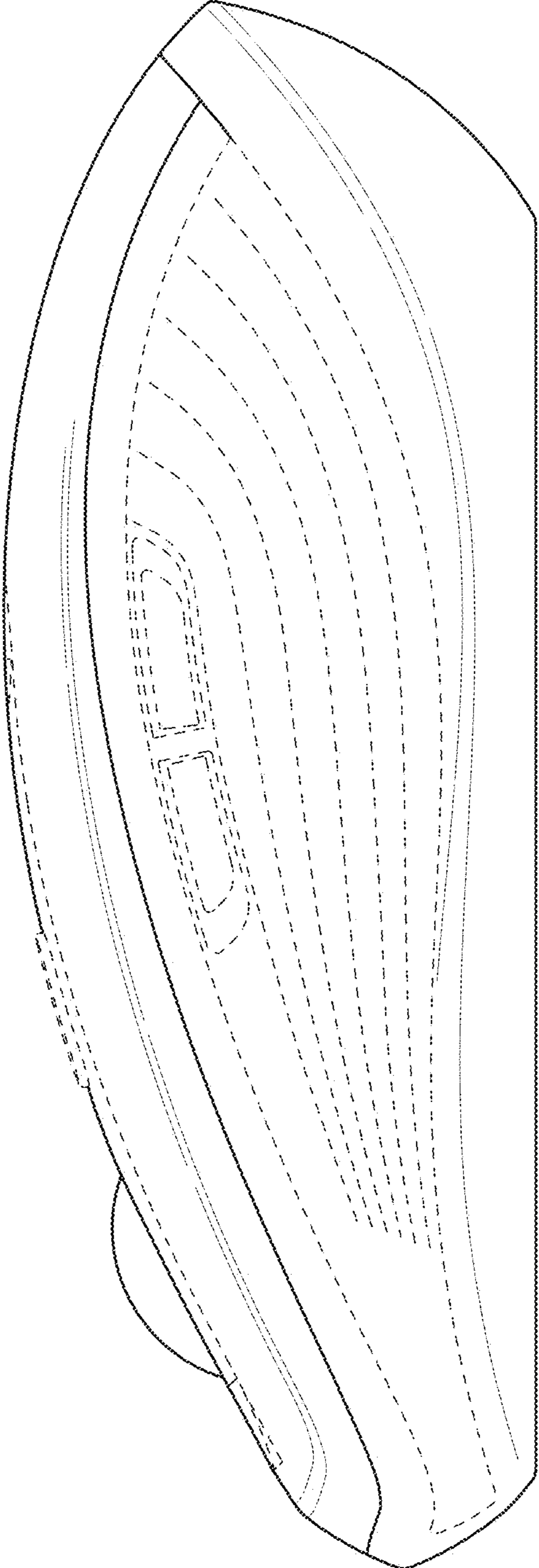


FIG. 6

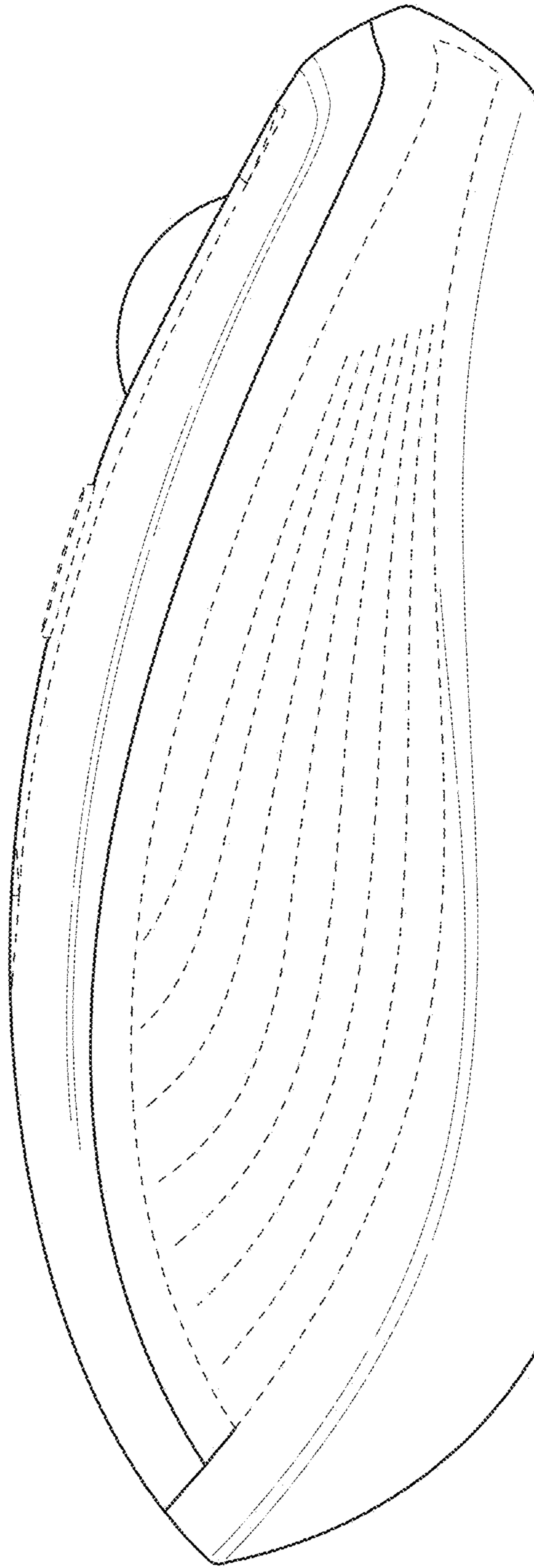


FIG. 7