

US00D940137S

(12) **United States Design Patent**
Jiang et al.

(10) **Patent No.:** **US D940,137 S**
(45) **Date of Patent:** **** Jan. 4, 2022**

(54) **KEYBOARD**

D335,660 S * 5/1993 Busch D14/392
D351,831 S * 10/1994 Kuzuomoto D14/392
D404,392 S * 1/1999 Inbal D14/392

(71) Applicant: **ZHUHAI HOKSI TECHNOLOGY CO., LTD**, Zhuhai (CN)

(Continued)

(72) Inventors: **Gengping Jiang**, Zhuhai (CN); **Qi Lin**, Zhuhai (CN)

FOREIGN PATENT DOCUMENTS

CN 305678991 * 4/2020
EM 007704317-0001 * 3/2020

(73) Assignee: **ZHUHAI HOKSI TECHNOLOGY CO., LTD**, Zhuhai (CN)

OTHER PUBLICATIONS

(**) Term: **15 Years**

Retro Keyboard, Durgod, indiegogo.com, published by Durgod Fusion on Aug. 25, 2020 © 2021 Indiegogo, Inc., online, site visited Mar. 25, 2021. Available at URL: <https://www.indiegogo.com/projects/durgod-retro-keyboard-with-nostalgic-memories#/20> (Year: 2020).*

(21) Appl. No.: **29/725,010**

(Continued)

(22) Filed: **Feb. 21, 2020**

(30) **Foreign Application Priority Data**

Aug. 23, 2019 (CN) 201930462180.9

(51) **LOC (13) Cl.** **14-02**

(52) **U.S. Cl.**
USPC **D14/391**

(58) **Field of Classification Search**
USPC D14/315-327, 345-346, 388, 391-399, D14/401, 454-457, 477, 507, 509, 203.4, D14/203.6, 218, 247, 150, 168, 331, 371, D14/376, 429, 434, 440, 479; D18/1-2, D18/4.1-4.6, 7, 11, 12.2, 52; D21/324, D21/329, 331, 409, 566
CPC B41J 5/00; B41J 5/10; B41J 5/12; G06F 1/1664; G06F 1/1637
See application file for complete search history.

Primary Examiner — Lakiya G Rogers

Assistant Examiner — Altaira J Swangin

(74) *Attorney, Agent, or Firm* — Bayramoglu Law Offices LLC

(57) **CLAIM**

The ornamental design for a keyboard, as shown and described.

DESCRIPTION

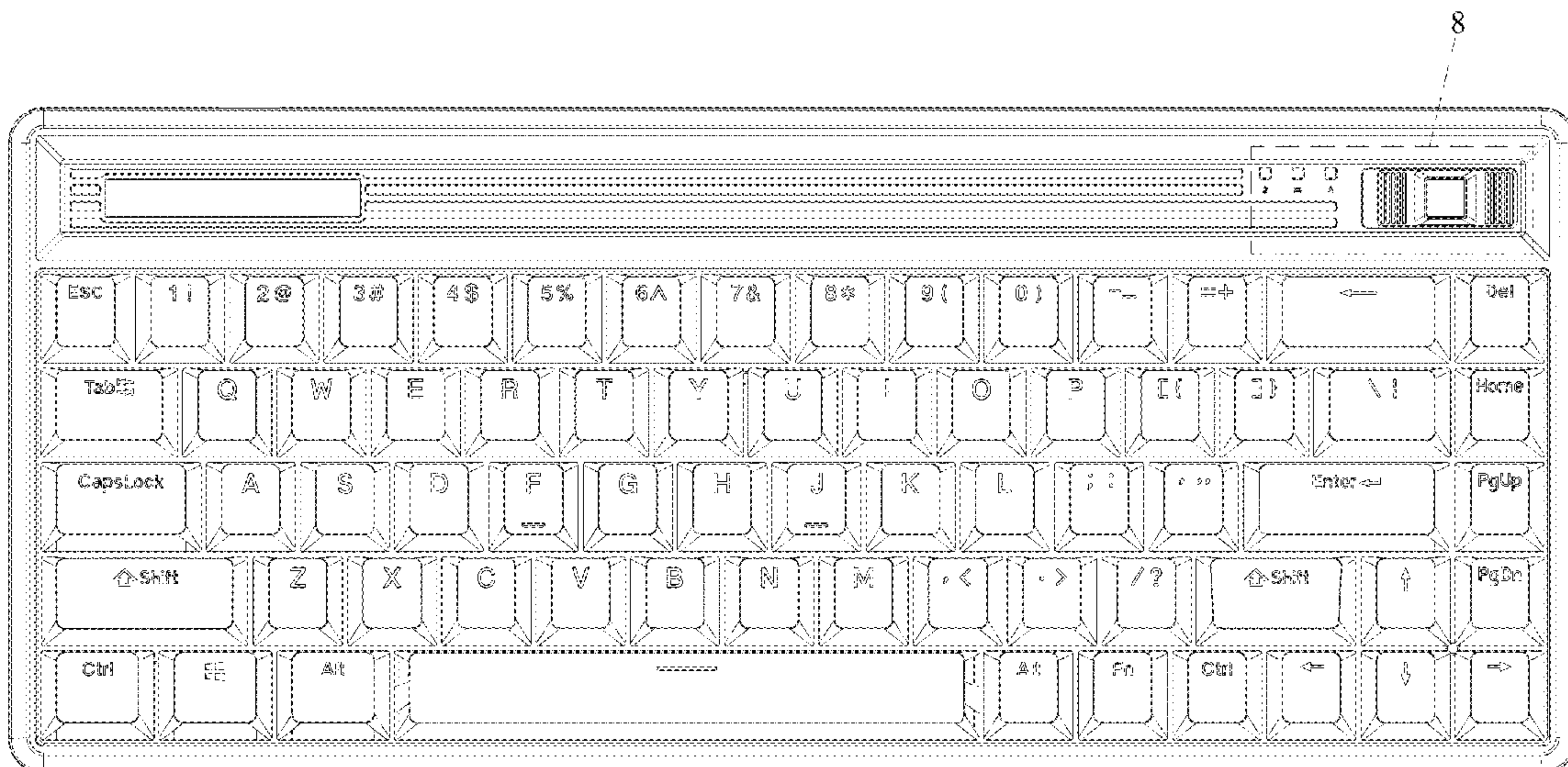
FIG. 1 is a front view of a keyboard showing our new design;
FIG. 2 is a rear view thereof;
FIG. 3 is a left side view thereof;
FIG. 4 is a right side view thereof;
FIG. 5 is a top view thereof;
FIG. 6 is a bottom view thereof;
FIG. 7 is a perspective view thereof;
FIG. 8 is a partially enlarged view of the area “8” in FIG. 1; and,
FIG. 9 is a partially enlarged view of the area “9” in FIG. 7.
The broken lines in the drawings depict portions of the keyboard that form no part of the claimed design.

(56) **References Cited**

U.S. PATENT DOCUMENTS

D300,534 S * 4/1989 Luong D14/346
4,906,117 A * 3/1990 Birdwell B41J 5/10
400/472
D312,623 S * 12/1990 Carter D14/392

1 Claim, 8 Drawing Sheets



(56)

References Cited

U.S. PATENT DOCUMENTS

D515,576 S * 2/2006 Shimizu D14/392
 D613,298 S * 4/2010 Wang D14/455
 D658,177 S * 4/2012 Song D14/392
 D678,883 S * 3/2013 Lim D14/392
 D689,861 S * 9/2013 Robert D14/392
 D701,214 S * 3/2014 Gengler D14/447
 D781,862 S * 3/2017 Sauvage D14/440
 D811,398 S * 2/2018 Ca D14/392
 D842,858 S * 3/2019 Lee D14/392
 10,788,936 B1 * 9/2020 Jain B32B 5/26
 D912,672 S * 3/2021 Lai D14/392
 D932,491 S * 10/2021 Wei D14/392
 2001/0025779 A1 * 10/2001 Yeh A45D 44/12
 2002/0109960 A1 * 8/2002 Liu G06F 3/0224
 2003/0002910 A1 * 1/2003 Jeffries G06F 3/0202
 2003/0006128 A1 * 1/2003 Giles H01H 13/705
 2008/0266261 A1 * 10/2008 Idzik G06F 40/232
 2009/0135554 A1 * 5/2009 Chien G06F 3/0202
 2010/0149099 A1 * 6/2010 Elias G06F 1/1616
 2011/0006991 A1 * 1/2011 Elias G06F 1/1662
 2011/0248920 A1 * 10/2011 Larsen G06F 3/0412
 2011/0291938 A1 * 12/2011 Wu G06F 3/0202

2012/0013490 A1 * 1/2012 Pance G02B 6/0001
 2012/0086643 A1 * 4/2012 Larsen G06F 3/0202
 2013/0063286 A1 * 3/2013 Elias H03K 17/9622
 2013/0142558 A1 * 6/2013 Griffin G06F 3/0216
 2013/0299326 A1 * 11/2013 Hsu G06F 3/0221
 2014/0008196 A1 * 1/2014 Martisauskas H01H 13/702
 2014/0075214 A1 * 3/2014 Spollen G06F 3/0202
 2014/0240235 A1 * 8/2014 Norwalk G06F 3/0202
 2014/0267050 A1 * 9/2014 Spollen G06F 1/1677
 2016/0147311 A1 * 5/2016 Ding G06F 3/0412
 2019/0028578 A1 * 1/2019 Parienti H04M 1/0214
 2020/0076432 A1 * 3/2020 Lee H03K 17/98
 2021/0191528 A1 * 6/2021 Zhou H01H 13/83
 2021/0304983 A1 * 9/2021 Huang G06F 1/1662

OTHER PUBLICATIONS

Retro Keyboard, Durgod, amazon.com, published by Durgod on Sep. 7, 2020 © 1996-2021 Amazon.com, Inc., online, site visited Mar. 25, 2021. Available at URL: <https://www.amazon.com/Durgod-Fusion-Mechanical-Keyboard-Doubleshot/dp/B08HM5ZKKF?th=1> (Year: 2020).*

* cited by examiner

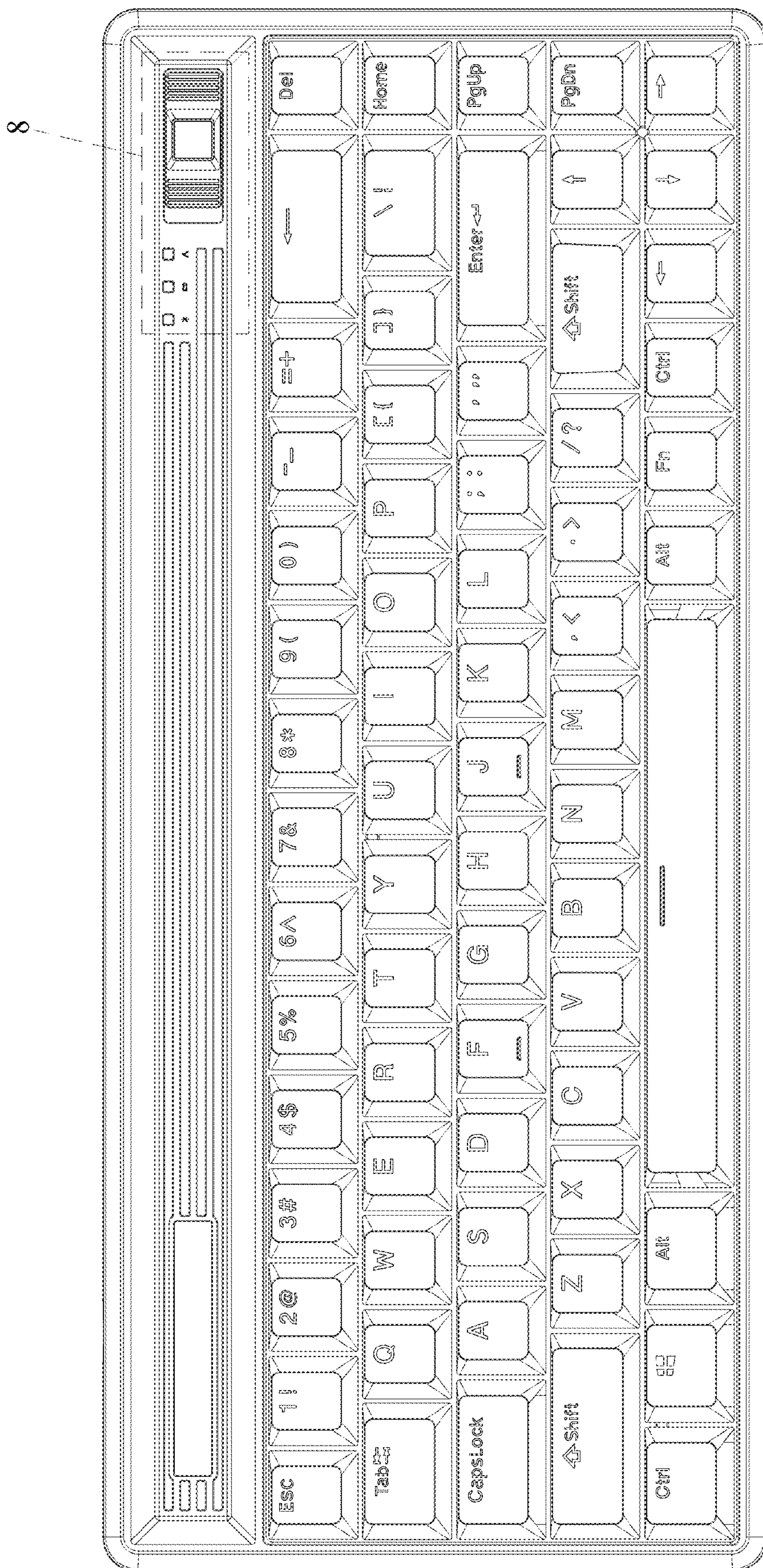


FIG. 1

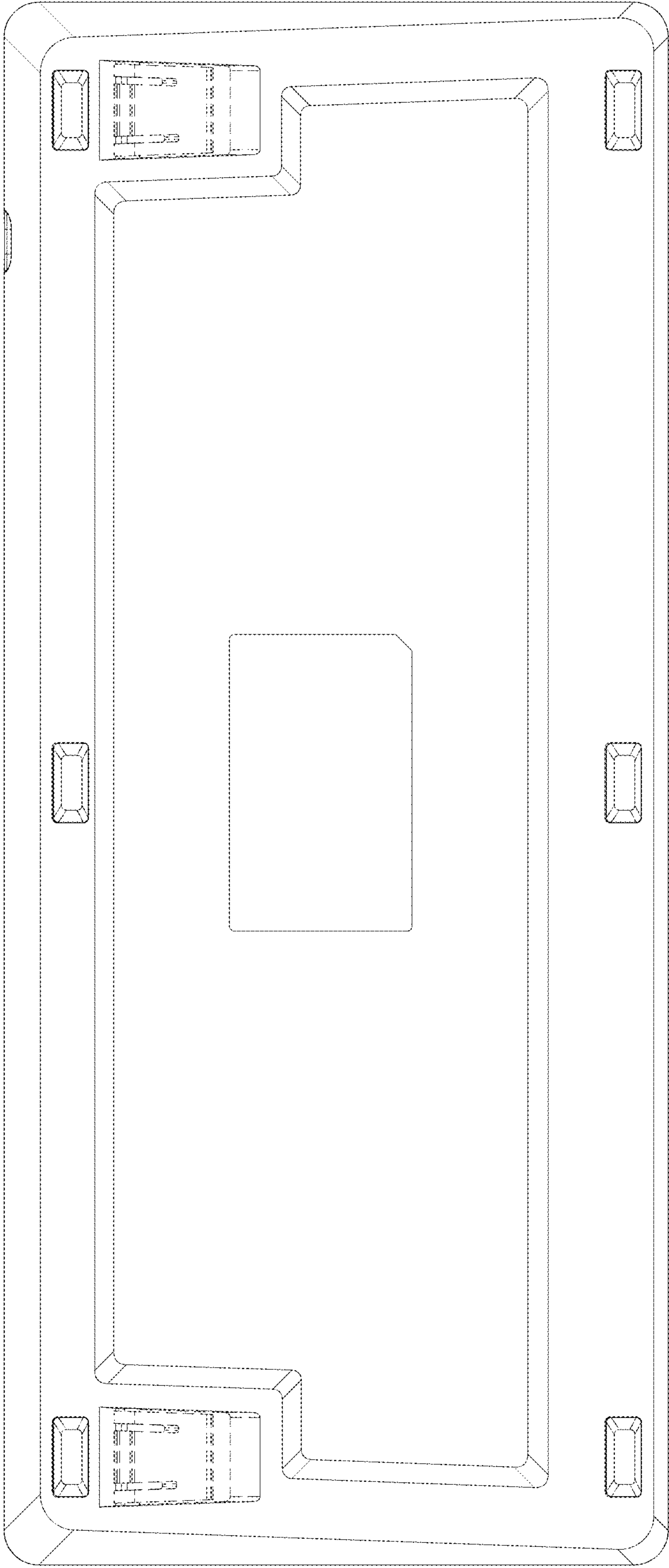


FIG. 2

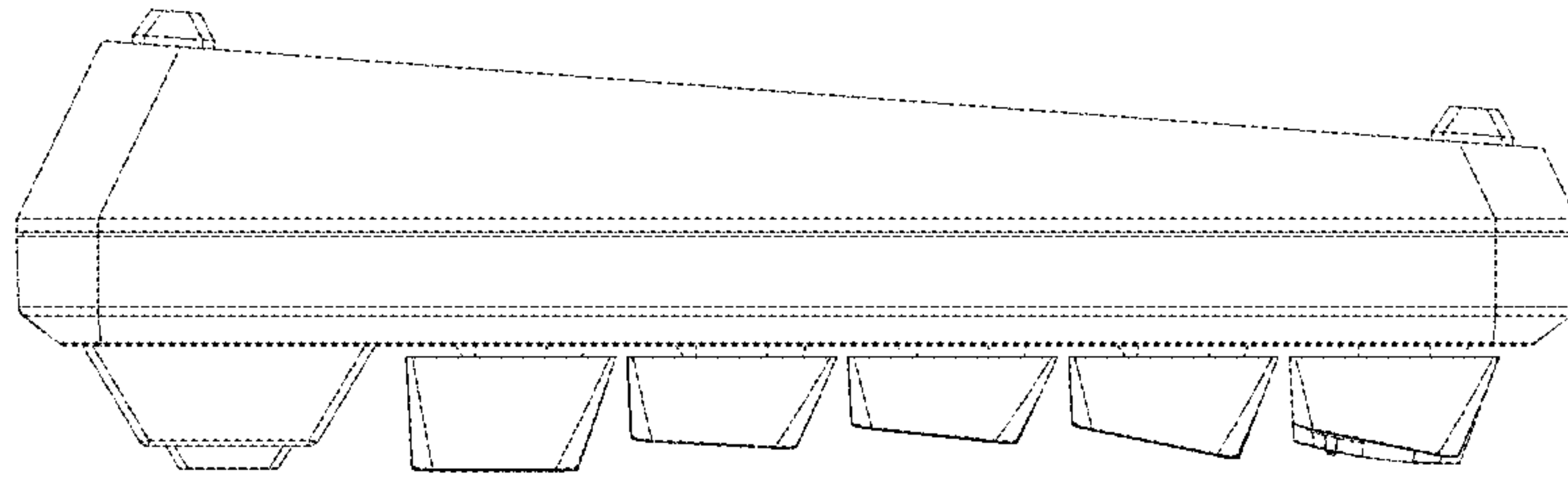


FIG. 4

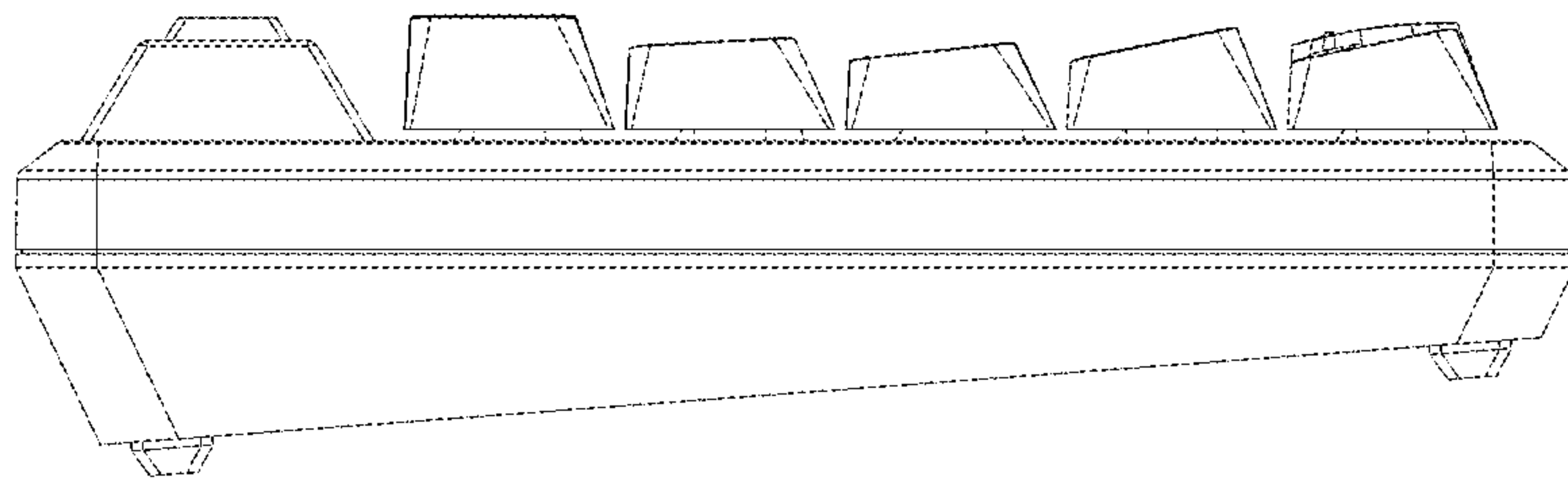


FIG. 3

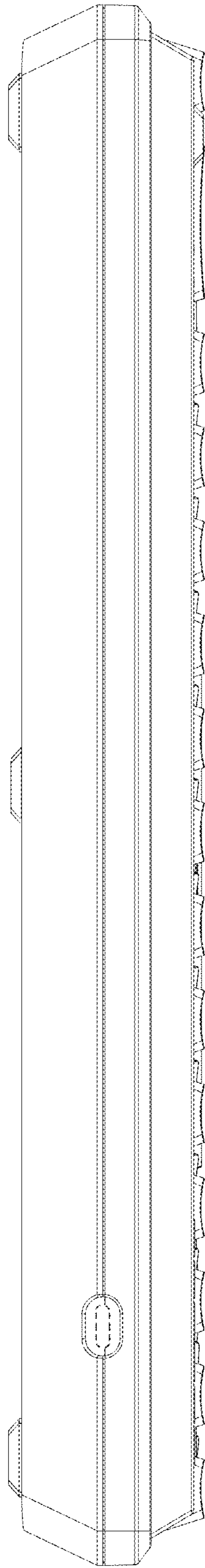


FIG. 5

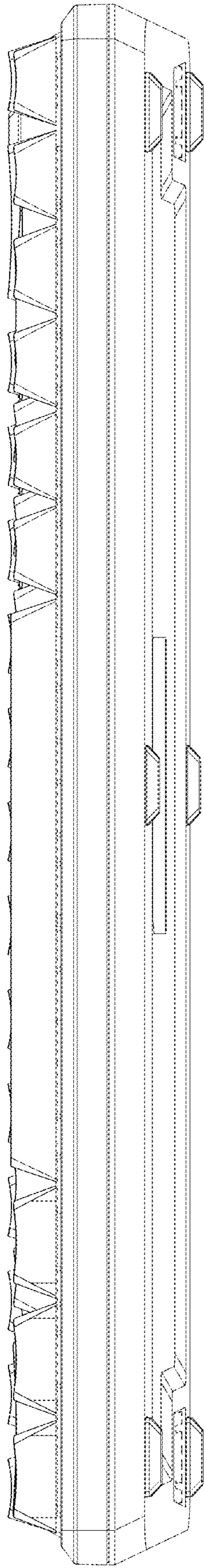


FIG. 6

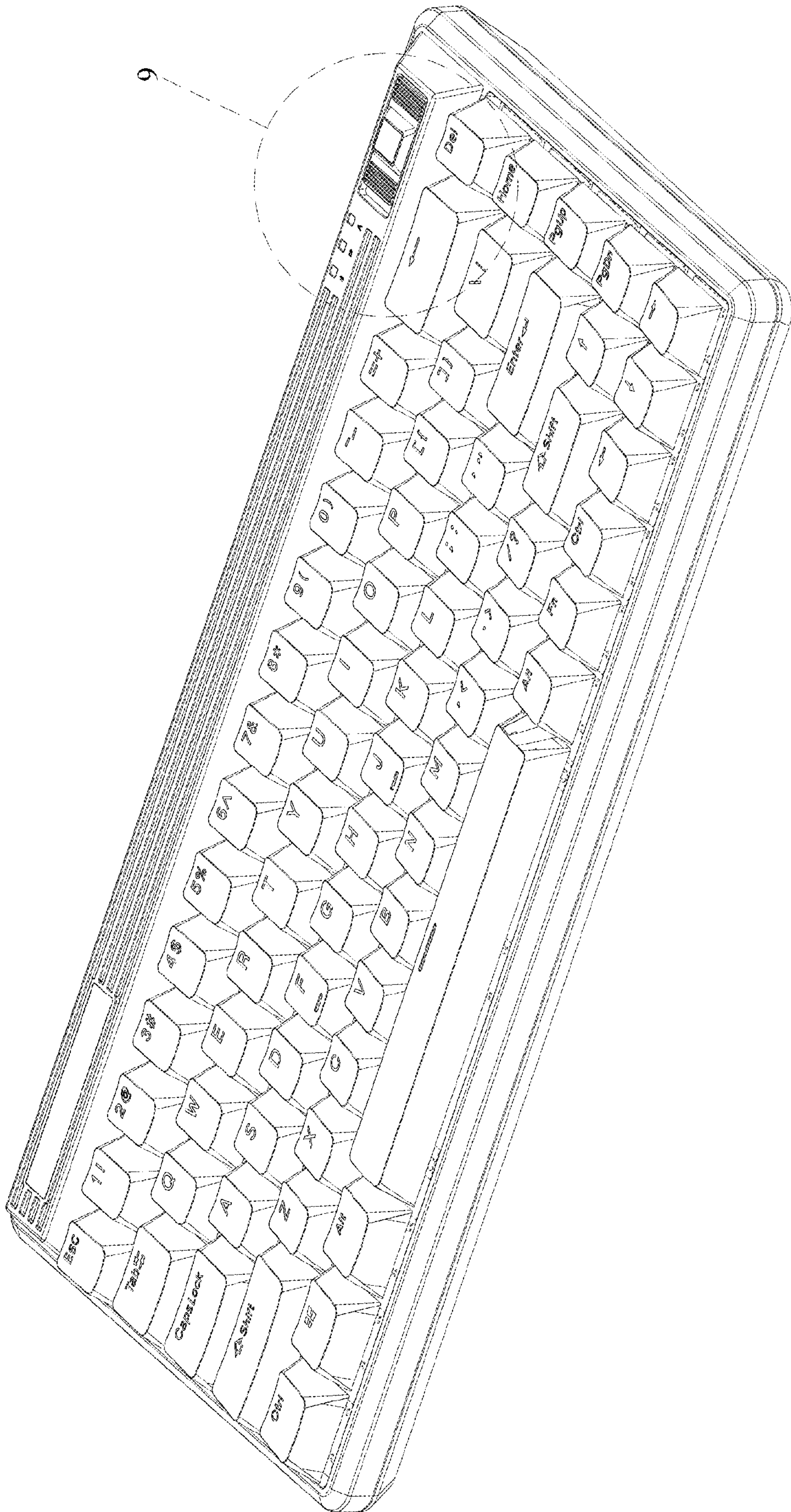


FIG. 7

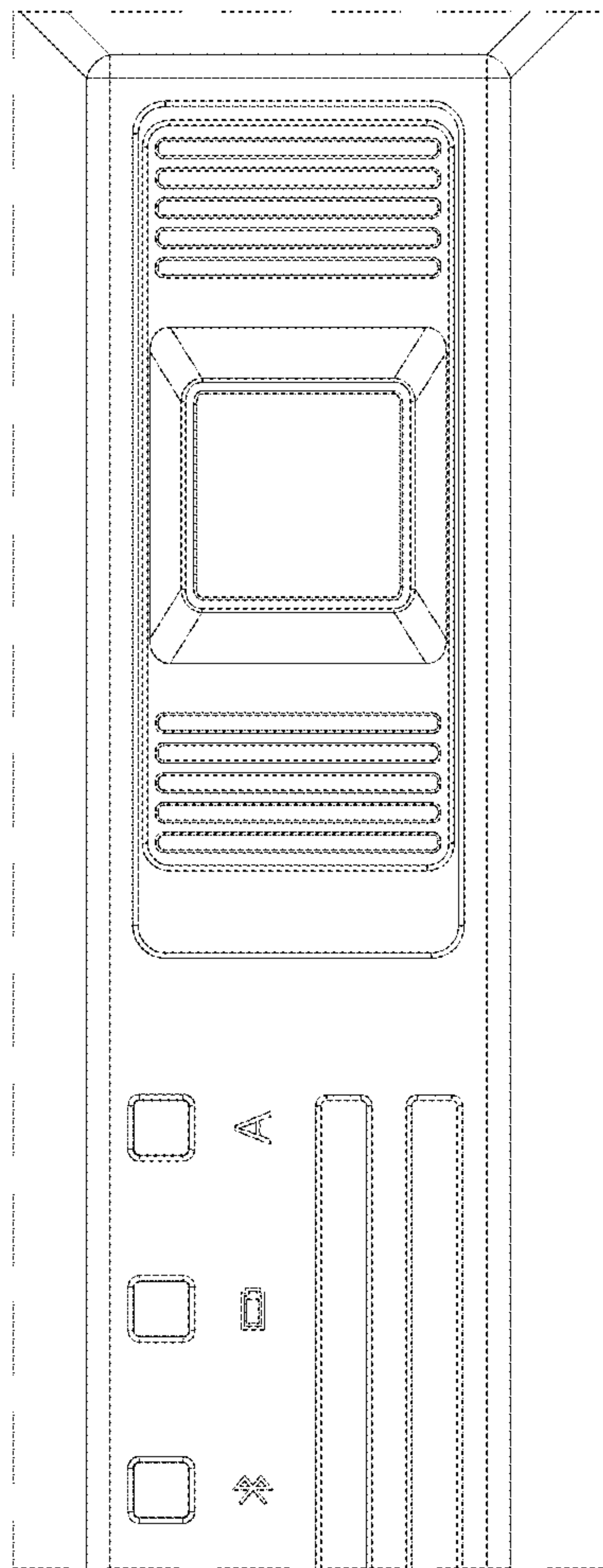


FIG. 8

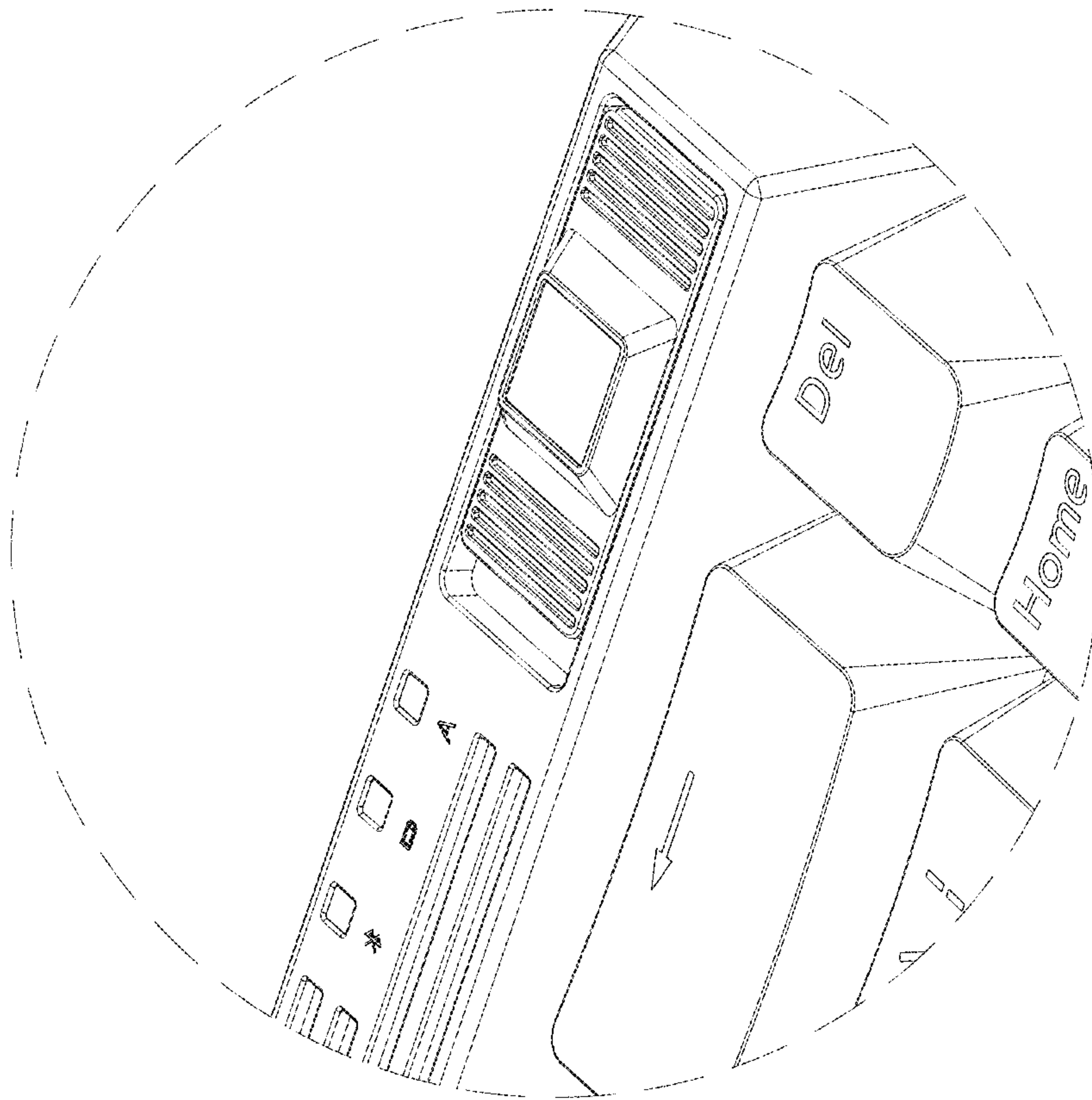


FIG. 9