



US00D940135S

(12) **United States Design Patent**
Lee et al.

(10) **Patent No.:** **US D940,135 S**

(45) **Date of Patent:** **** Jan. 4, 2022**

(54) **PORTABLE INFORMATION READING
TERMINAL**

(71) Applicant: **BLUEBIRD INC.**, Seoul (KR)

(72) Inventors: **Jang Won Lee**, Seoul (KR); **Jung Sik
Park**, Gwangju-si (KR); **Jung Hoon
Choi**, Seoul (KR)

(73) Assignee: **BLUEBIRD INC.**

(**) Term: **15 Years**

(21) Appl. No.: **29/701,527**

(22) Filed: **Aug. 12, 2019**

(30) **Foreign Application Priority Data**

Feb. 11, 2019 (KR) 30-2019-0006001

(51) **LOC (13) Cl.** **14-02**

(52) **U.S. Cl.**
USPC **D14/385**

(58) **Field of Classification Search**

USPC D18/4.4, 4.5, 4.6, 12, 12.1, 12.3;
D14/383, 384, 385, 386, 378, 420, 427,
D14/432-439, 447, 453; D13/107, 108,
D13/133, 146, 147, 152, 154, 156;
235/441, 451, 492, 380, 439, 375
CPC G06K 19/07749; G06K 19/0723; G06K
19/041; G06K 19/07758; G06K 19/0775;
G06K 19/07783; G06K 19/07794; G06K
19/06046; G06K 19/07722; G06K
19/07773; G06K 19/07779; G06K
19/07784; G06K 19/07786; G06K
19/0709

See application file for complete search history.

(56) **References Cited**

U.S. PATENT DOCUMENTS

D681,036 S * 4/2013 Taunay da Graca Couto
D14/385
D736,207 S * 8/2015 Bousfield D14/385

D751,076 S * 3/2016 Buessler D14/385
D791,133 S * 7/2017 Brownlee D14/384
D807,819 S * 1/2018 Park D13/107
D871,407 S * 12/2019 Isaacs D14/385
D894,183 S * 8/2020 Min D14/384
D902,208 S * 11/2020 Karlsson D14/387
D922,383 S * 6/2021 Laws D14/385
D923,623 S * 6/2021 DeFazio D14/385

* cited by examiner

Primary Examiner — Austin Murphy

(74) *Attorney, Agent, or Firm* — Renaissance IP Law
Group LLP

(57) **CLAIM**

The ornamental design for a portable information reading terminal, as shown and described.

DESCRIPTION

FIG. 1 is a perspective view showing our new design for a portable information reading terminal;
FIG. 2 is a front view thereof;
FIG. 3 is a rear view thereof;
FIG. 4 is a left side view thereof;
FIG. 5 is a right side view thereof;
FIG. 6 is a top plan view thereof;
FIG. 7 is a bottom view thereof;
FIG. 8 is a front view illustrating the portable information reading terminal of the present invention in its environment of use; and,
FIG. 9 is a perspective view illustrating the portable information reading terminal of the present invention in its environment of use.

The portions shown in broken lines are solely for the purpose of illustrating context and environmental structures only and form no part of the claimed design.

1 Claim, 9 Drawing Sheets

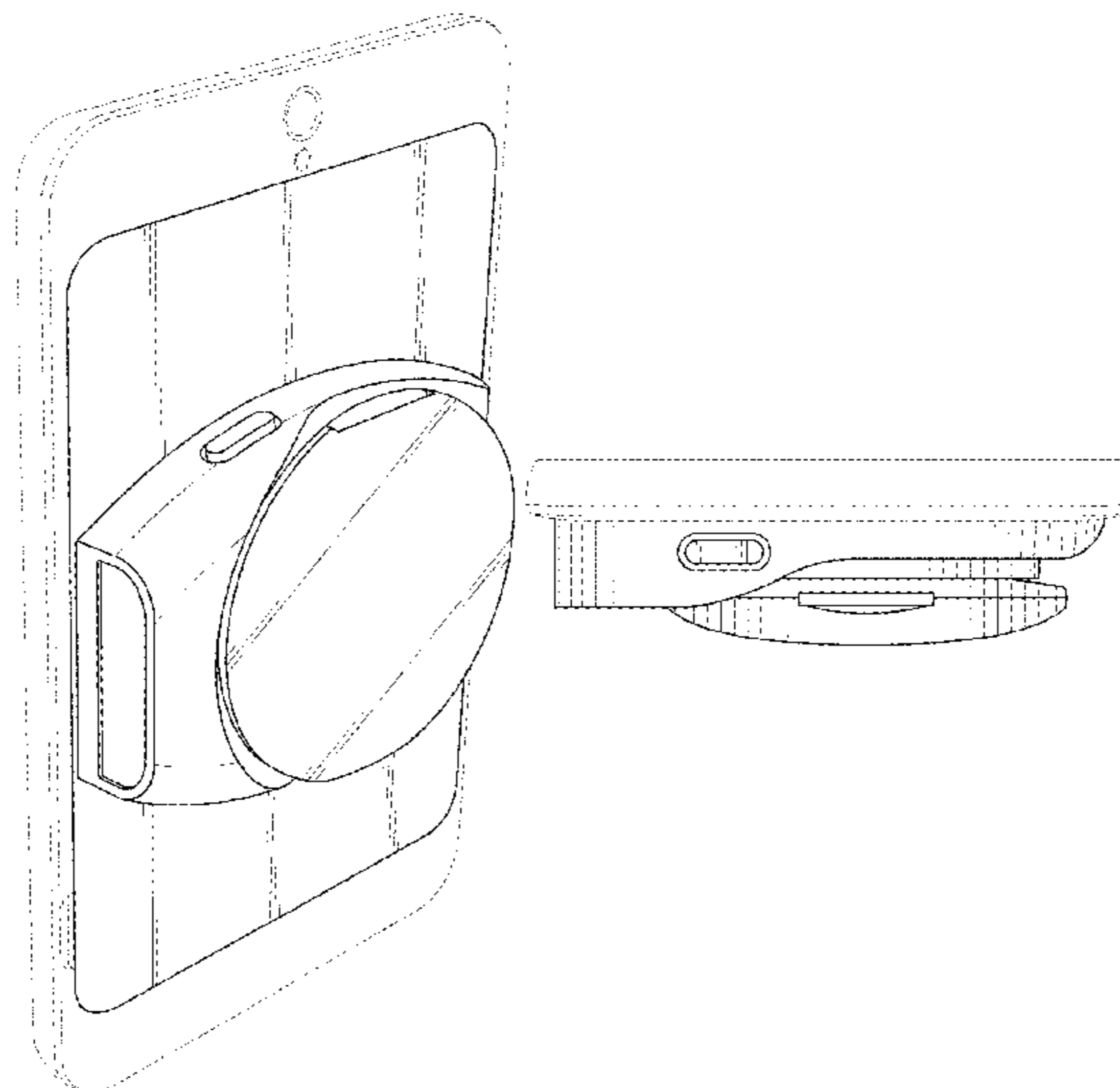


FIG. 1

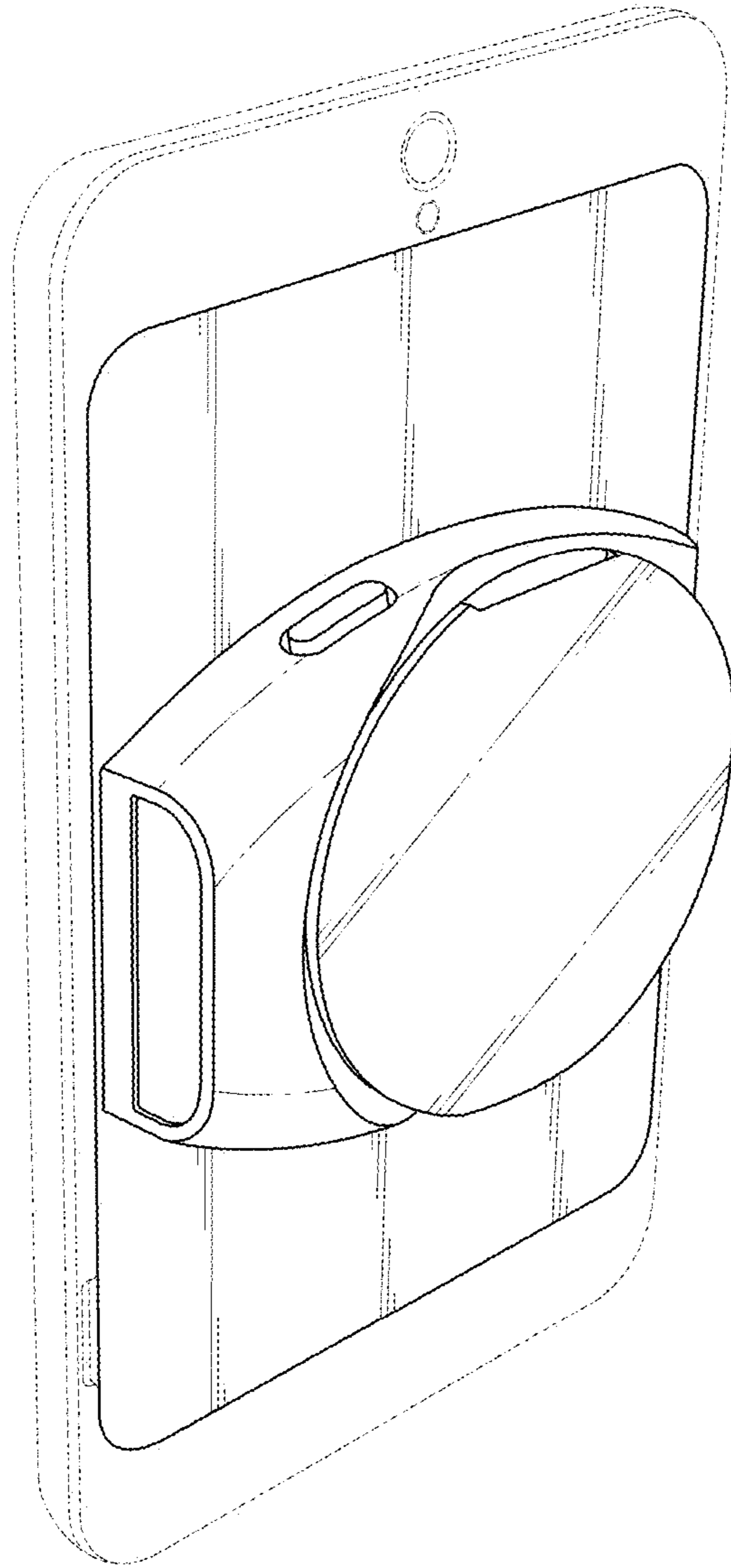


FIG. 2

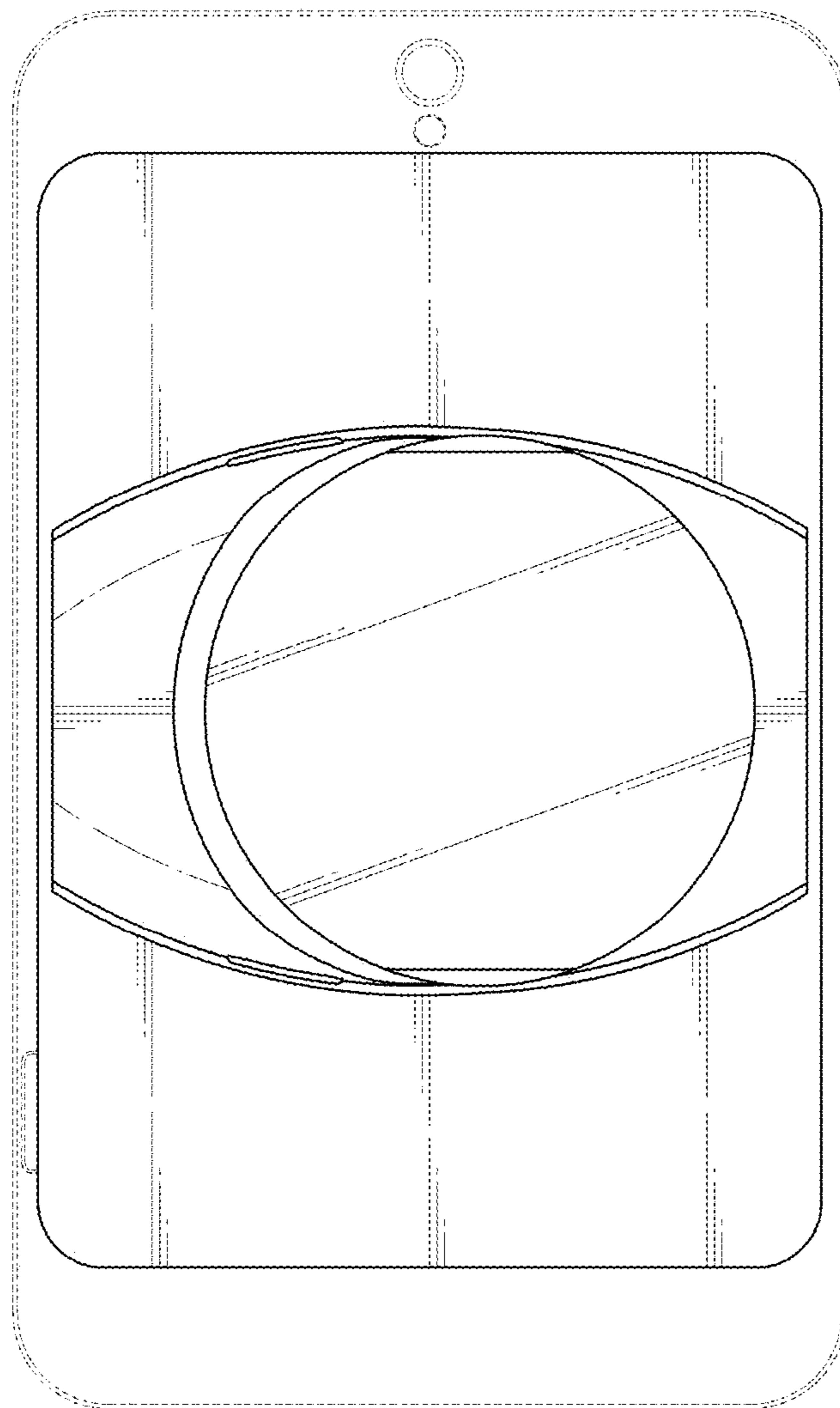


FIG. 3

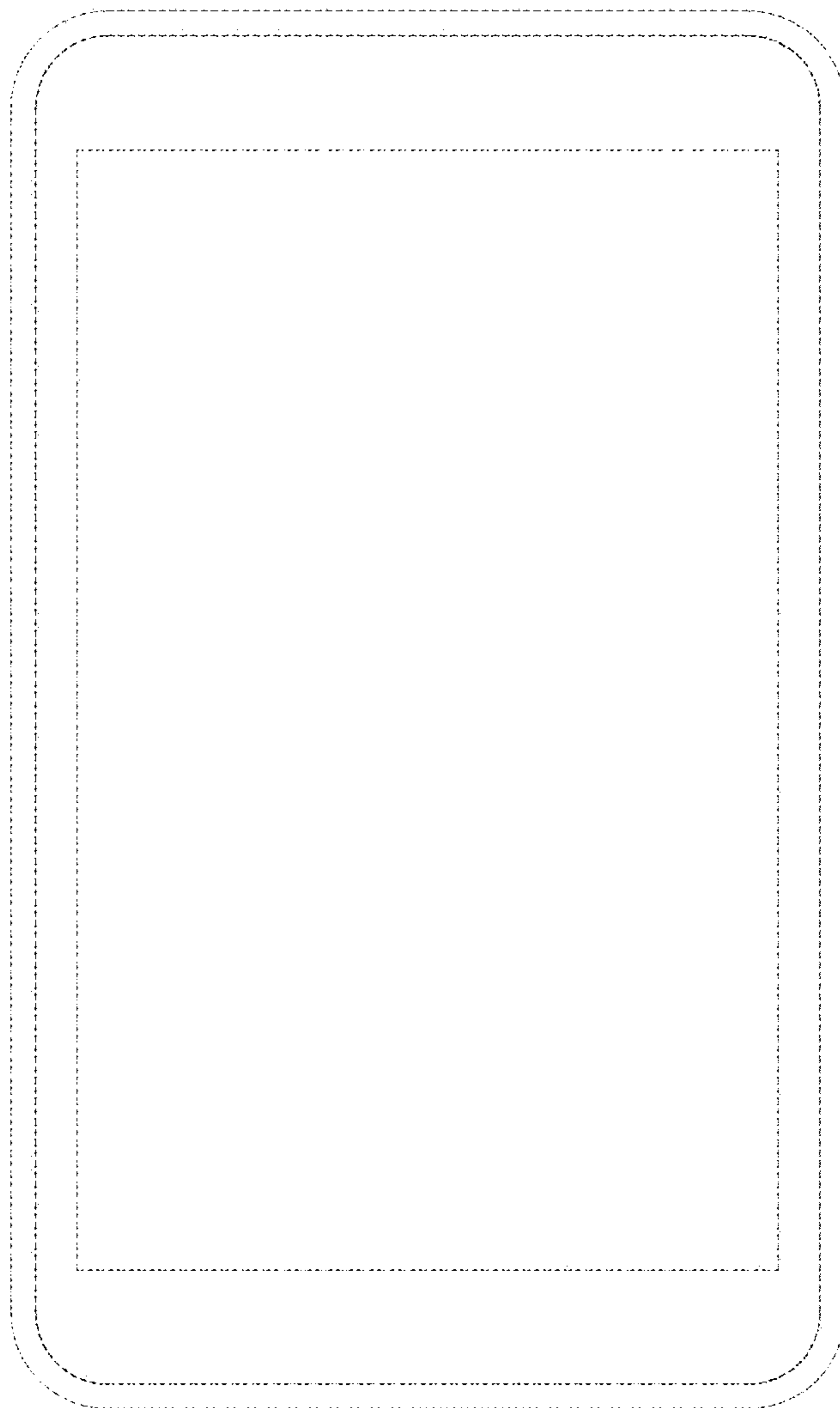


FIG. 4

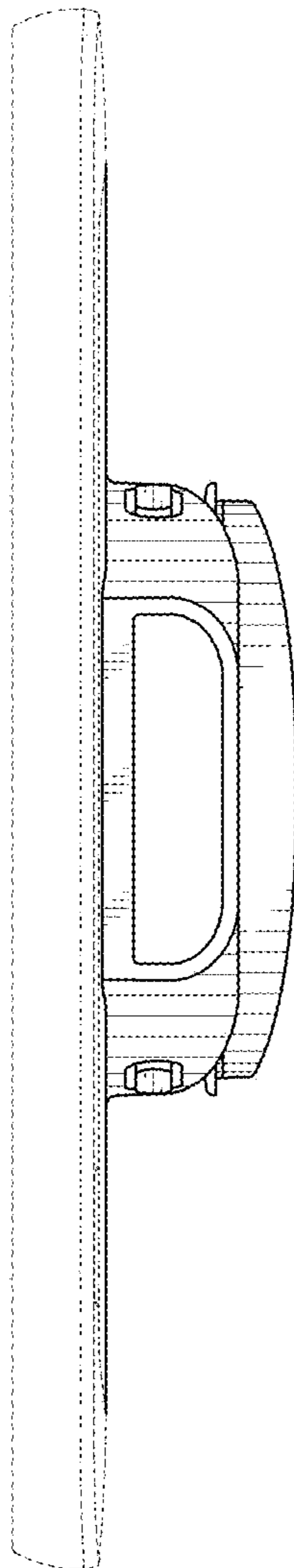


FIG. 5

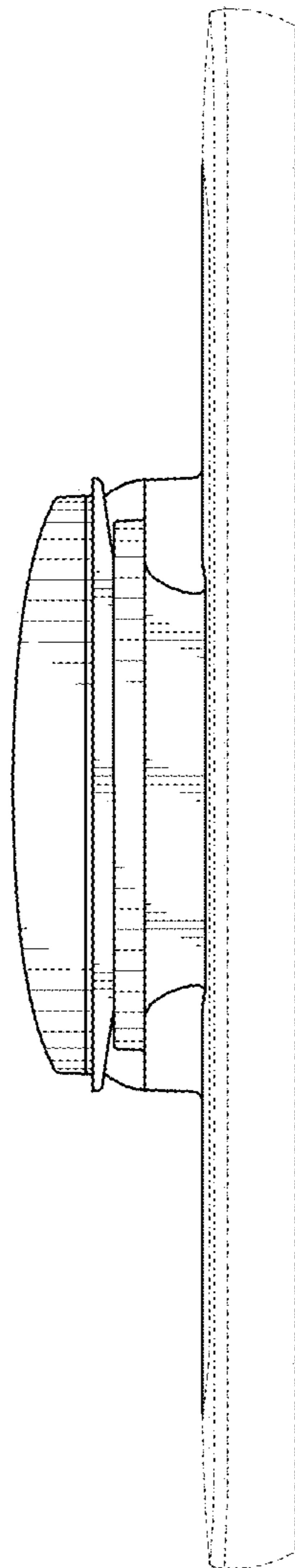


FIG. 6

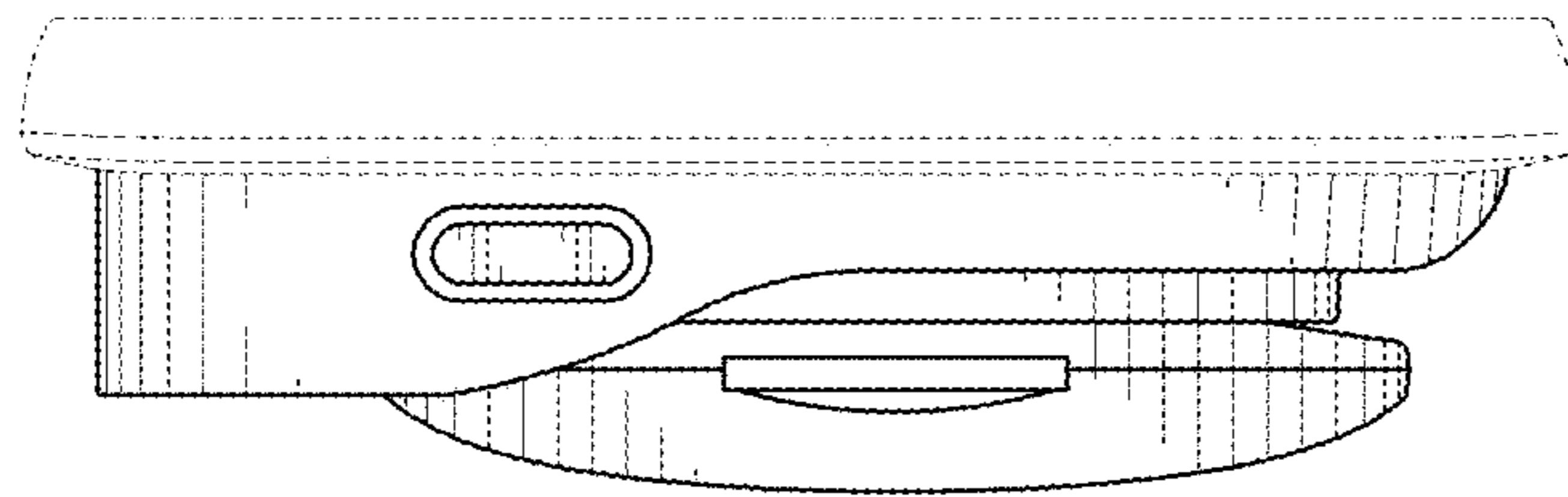


FIG. 7

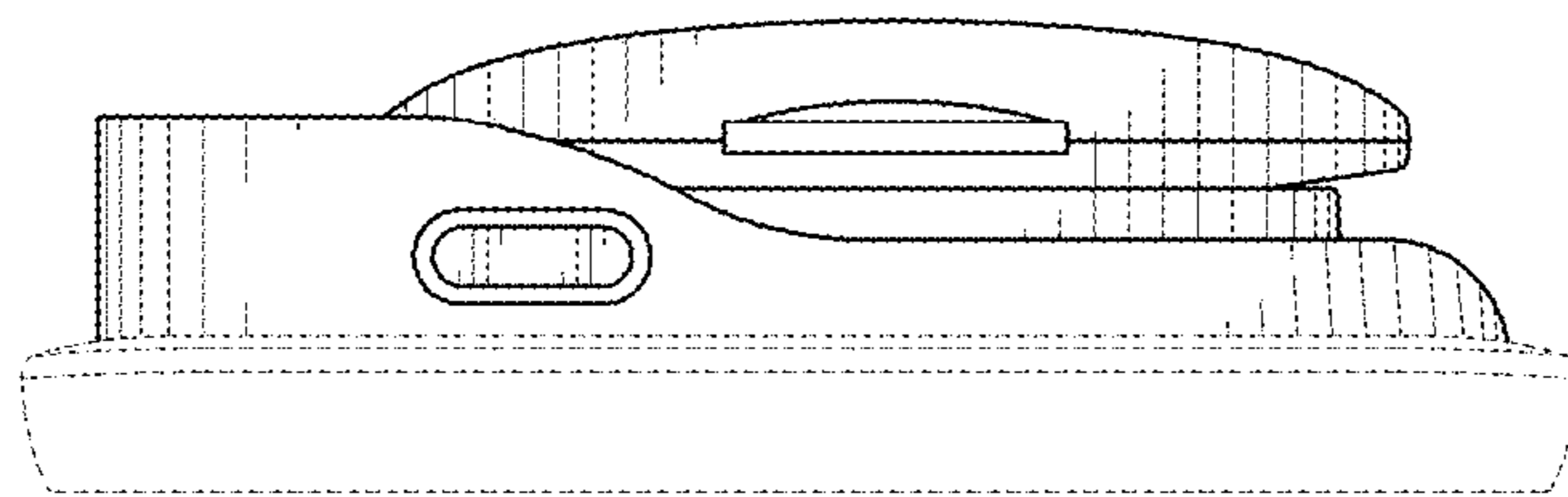


FIG. 8

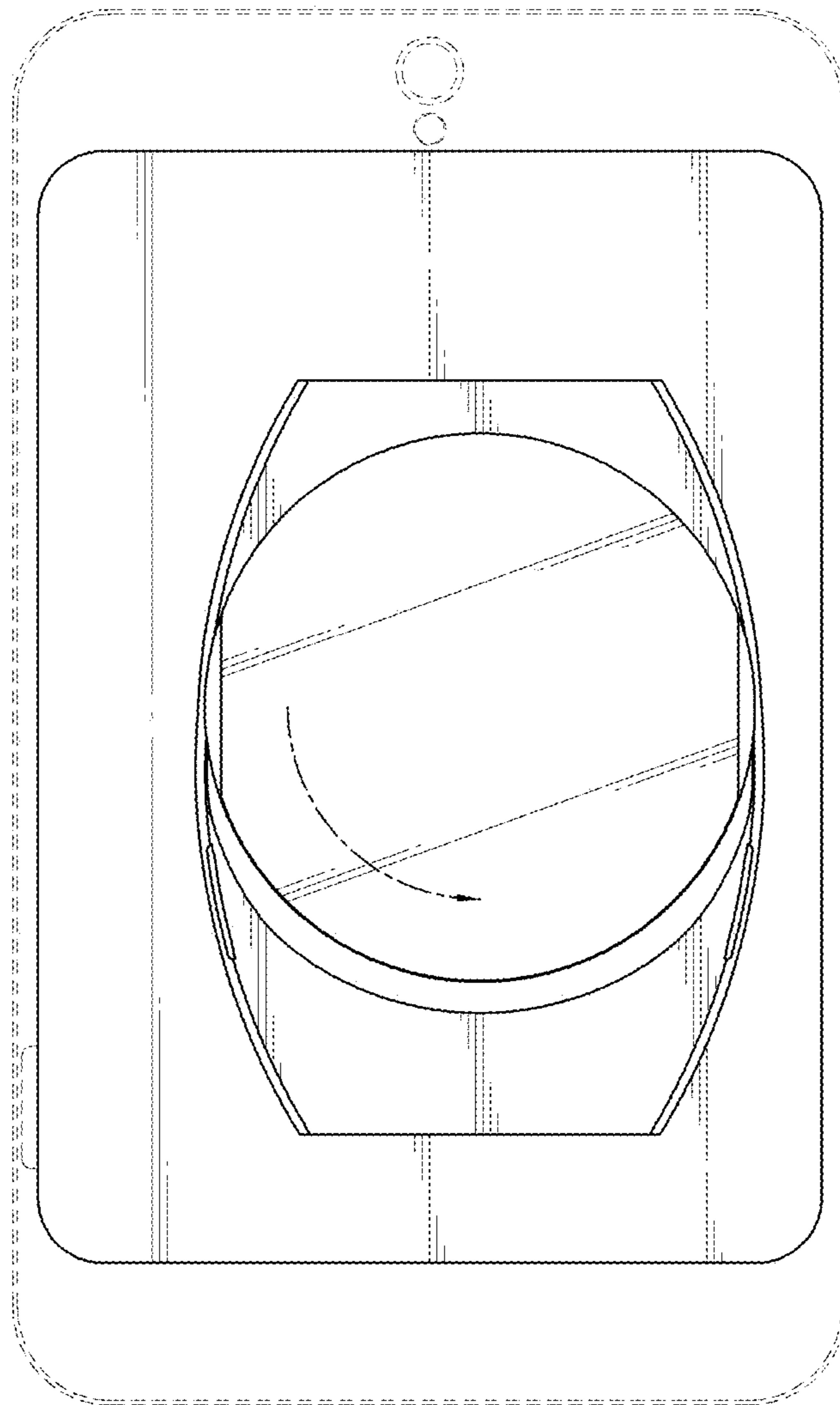


FIG. 9

