



US00D940134S

(12) **United States Design Patent**
Ha et al.

(10) **Patent No.:** **US D940,134 S**
(45) **Date of Patent:** **** Jan. 4, 2022**

(54) **FINGERPRINT IDENTIFICATION DEVICE**

(71) Applicant: **OctatcO Co., Ltd**, Seongnam-si (KR)

(72) Inventors: **Sunghoon Ha**, Seoul (KR); **Minju Yang**, Seoul (KR)

(73) Assignee: **OctatcO Co., Ltd**, Seongnam-si (KR)

(**) Term: **15 Years**

(21) Appl. No.: **29/681,927**

(22) Filed: **Feb. 28, 2019**

(30) **Foreign Application Priority Data**

Jan. 30, 2019 (KR) 30-2019-0004654

(51) **LOC (13) Cl.** **14-03**

(52) **U.S. Cl.**
USPC **D14/384**; 14/155

(58) **Field of Classification Search**
USPC D14/167, 154, 168, 188, 496, 156, 160,
D14/161, 162, 163, 164, 165, 158, 341,
D14/346, 342, 345, 137, 155, 218, 225;
D16/208; D26/38; 455/351, 350;
D10/104.1, 106, 65

CPC H04B 1/385; H04M 1/6091; H04M 1/6066
See application file for complete search history.

(56) **References Cited**

U.S. PATENT DOCUMENTS

D461,176 S * 8/2002 Siokola D14/155
D545,809 S * 7/2007 Griffin D14/155

D546,811 S * 7/2007 Neu D14/155
D549,210 S * 8/2007 Neu D14/155
D549,684 S * 8/2007 Lee D14/155
D560,649 S * 1/2008 Hsu D14/155
D570,327 S * 6/2008 Ikeda D14/155
D618,240 S * 6/2010 Larmour D14/358
D759,003 S * 6/2016 Daniel D14/240
D868,742 S * 12/2019 Cao D14/217
D881,153 S * 4/2020 Fang D14/155
D912,005 S * 3/2021 Zhang D14/155

* cited by examiner

Primary Examiner — Austin Murphy

(74) *Attorney, Agent, or Firm* — Heedong Chae; Lucem, PC

(57) **CLAIM**

The ornamental design for a fingerprint identification device, as shown and described.

DESCRIPTION

FIG. 1 is a perspective view of the fingerprint identification device showing my new design;
FIG. 2 is a front elevational view thereof;
FIG. 3 is a rear elevational view thereof;
FIG. 4 is a left side view thereof;
FIG. 5 is a right side view thereof;
FIG. 6 is a top plan view thereof;
FIG. 7 is a bottom plan view thereof; and,
FIG. 8 is another perspective view thereof.

1 Claim, 8 Drawing Sheets

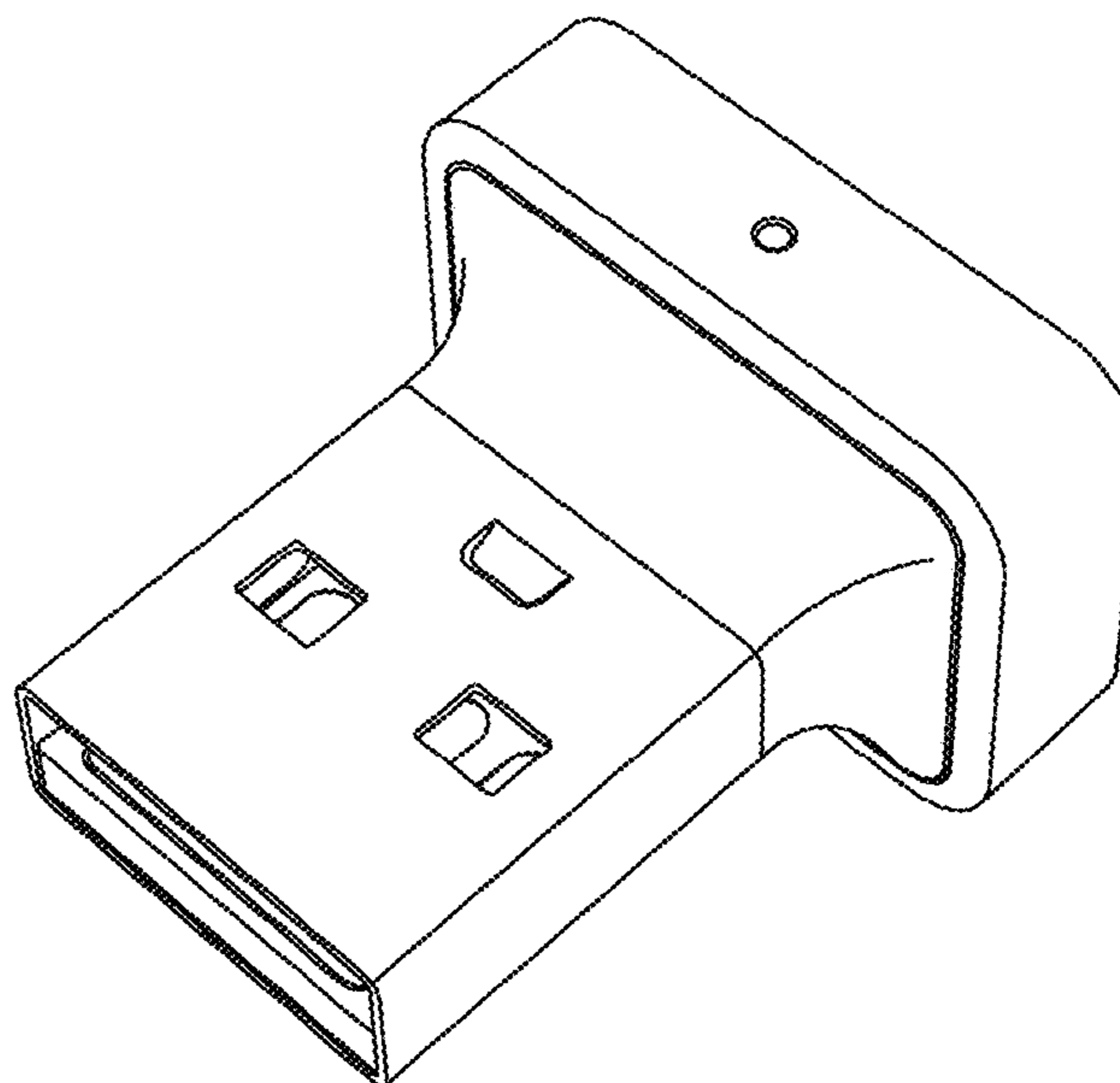
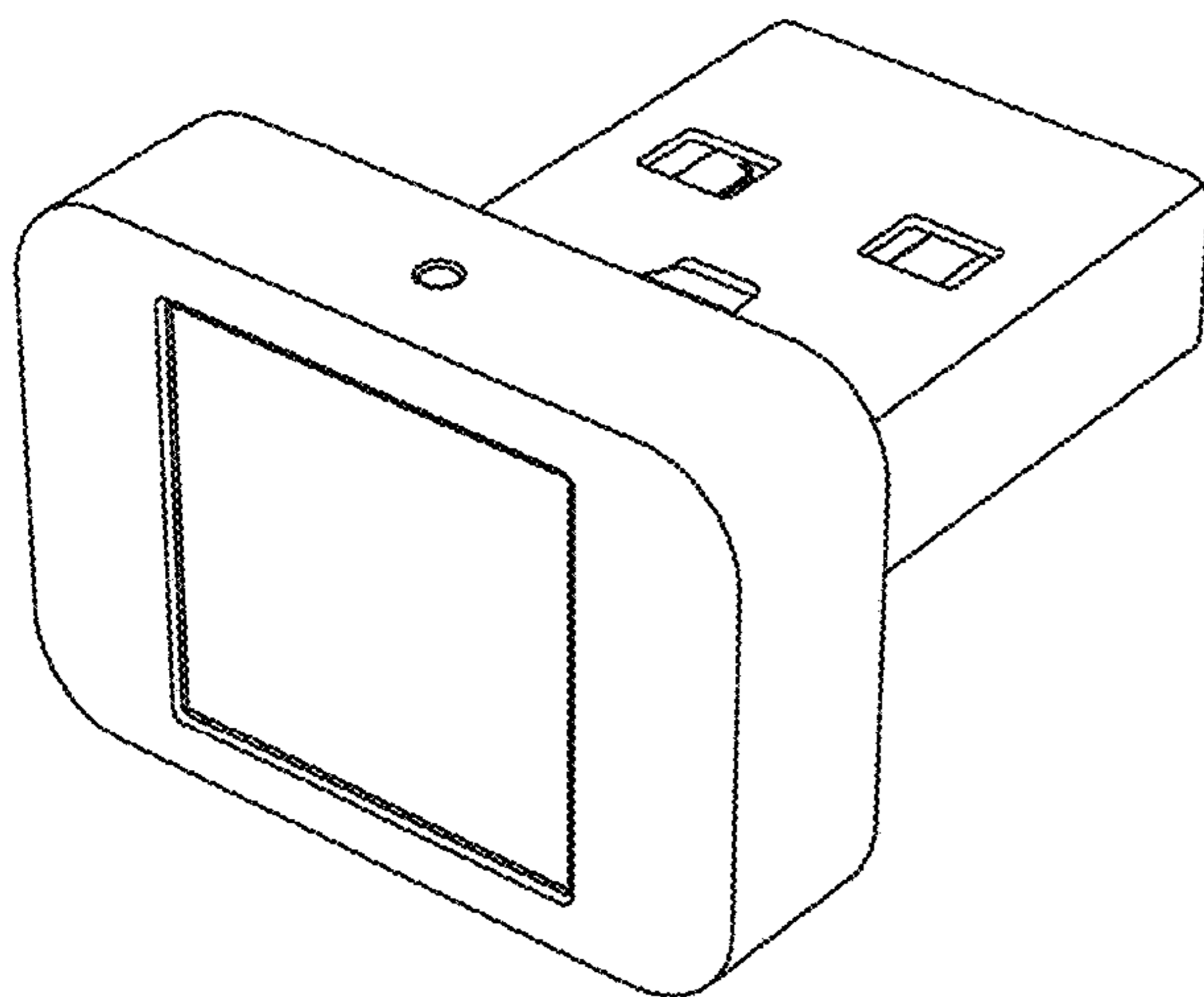


FIG. 1

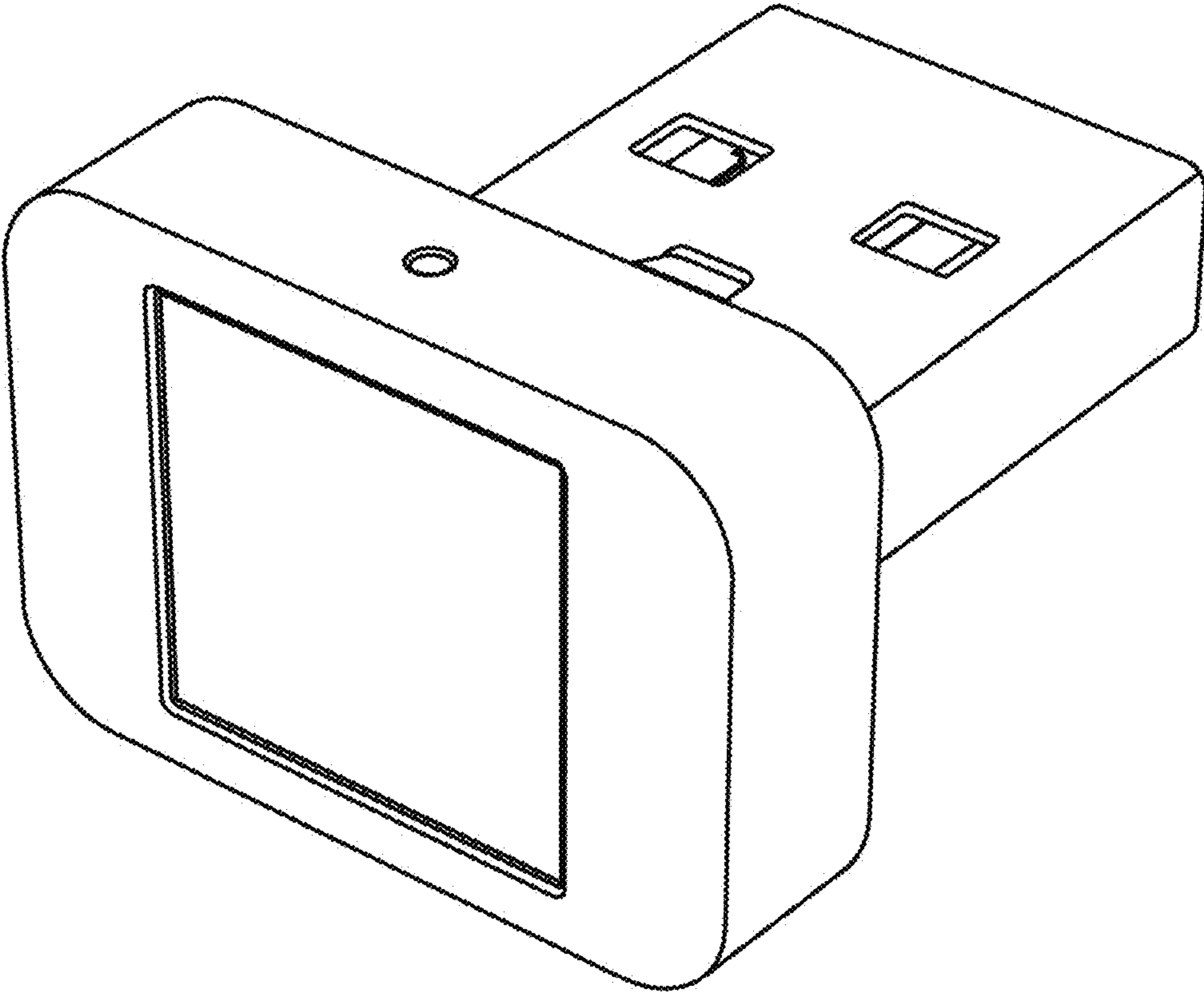


FIG. 2

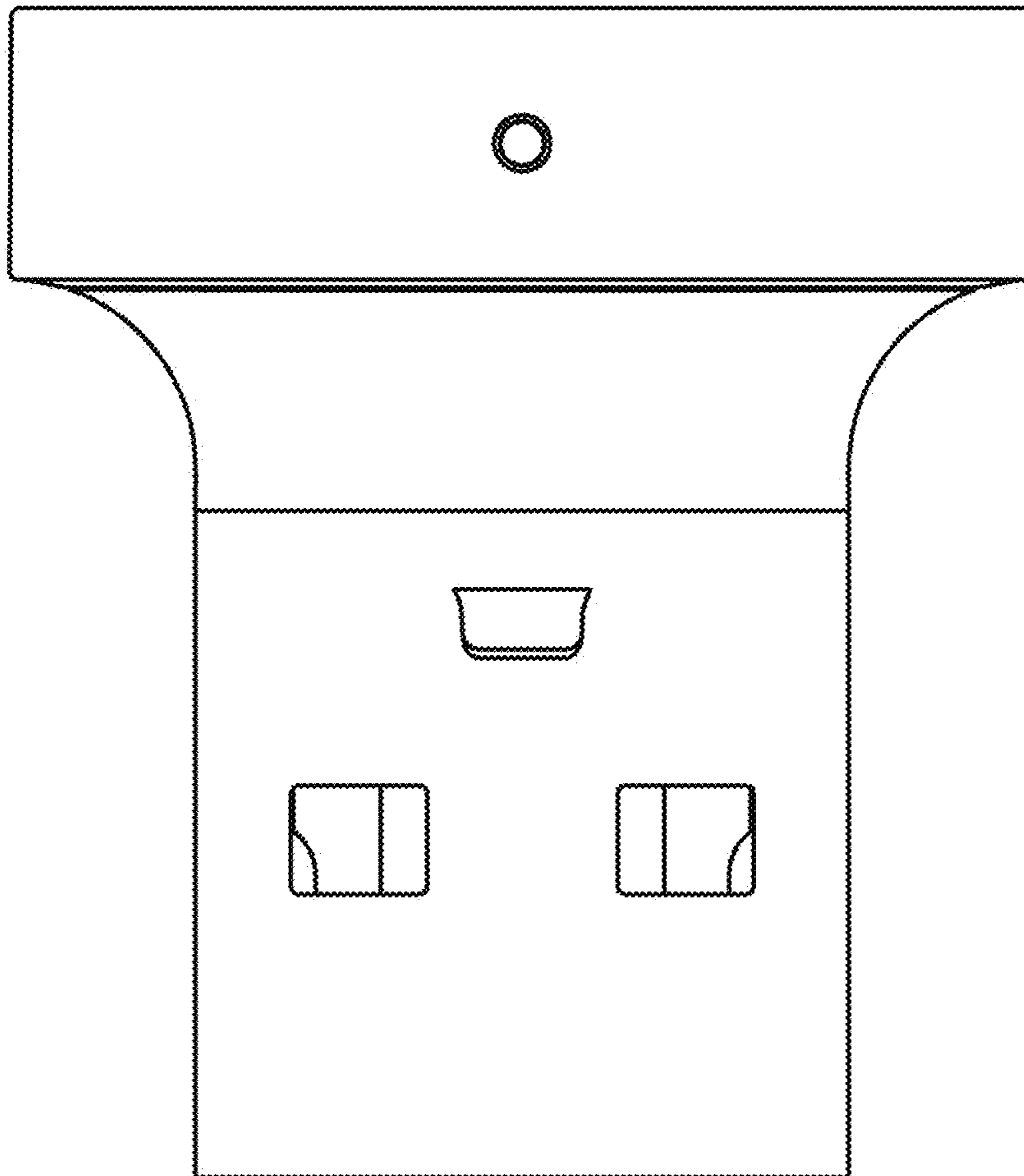


FIG. 3

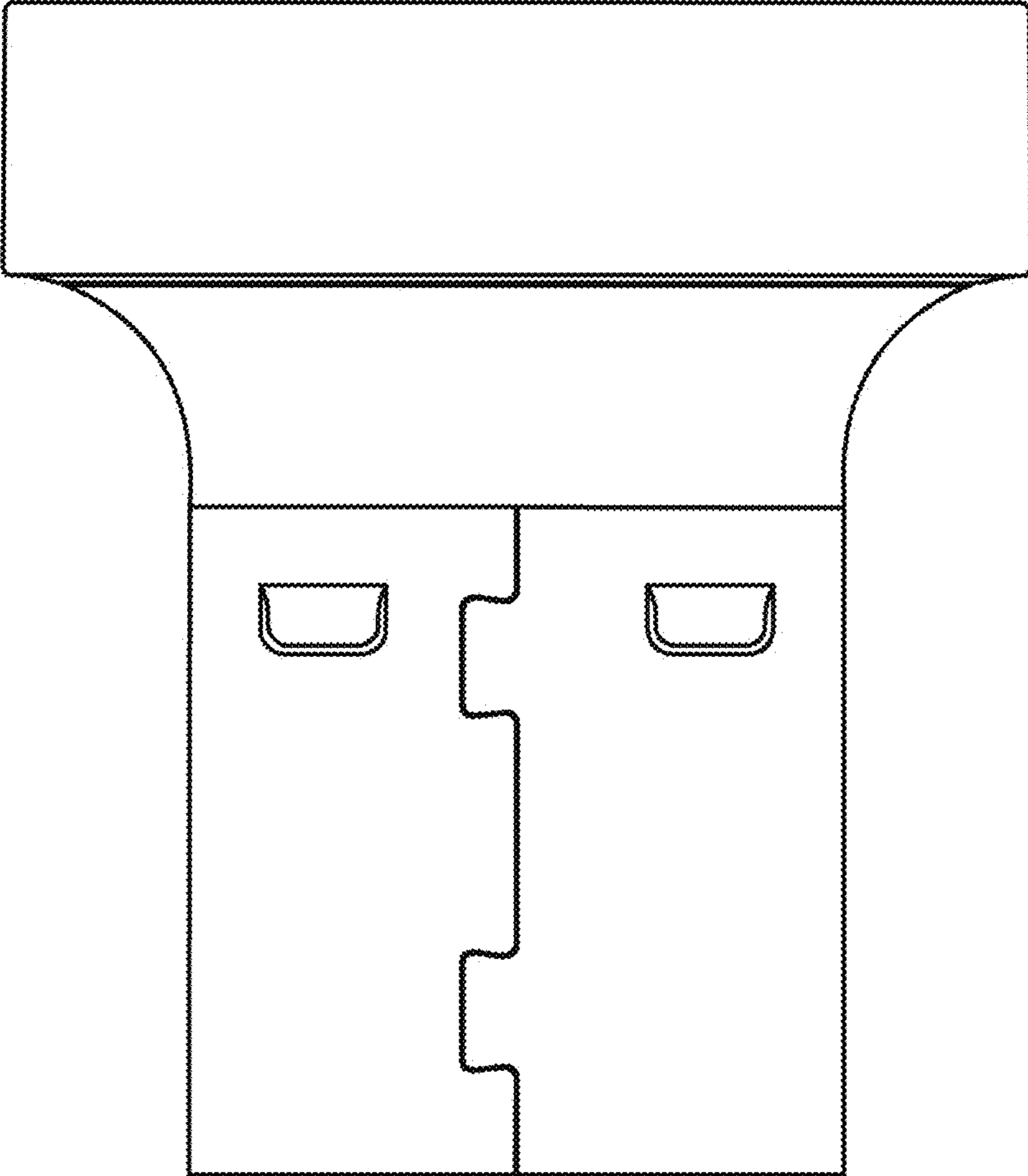


FIG. 4

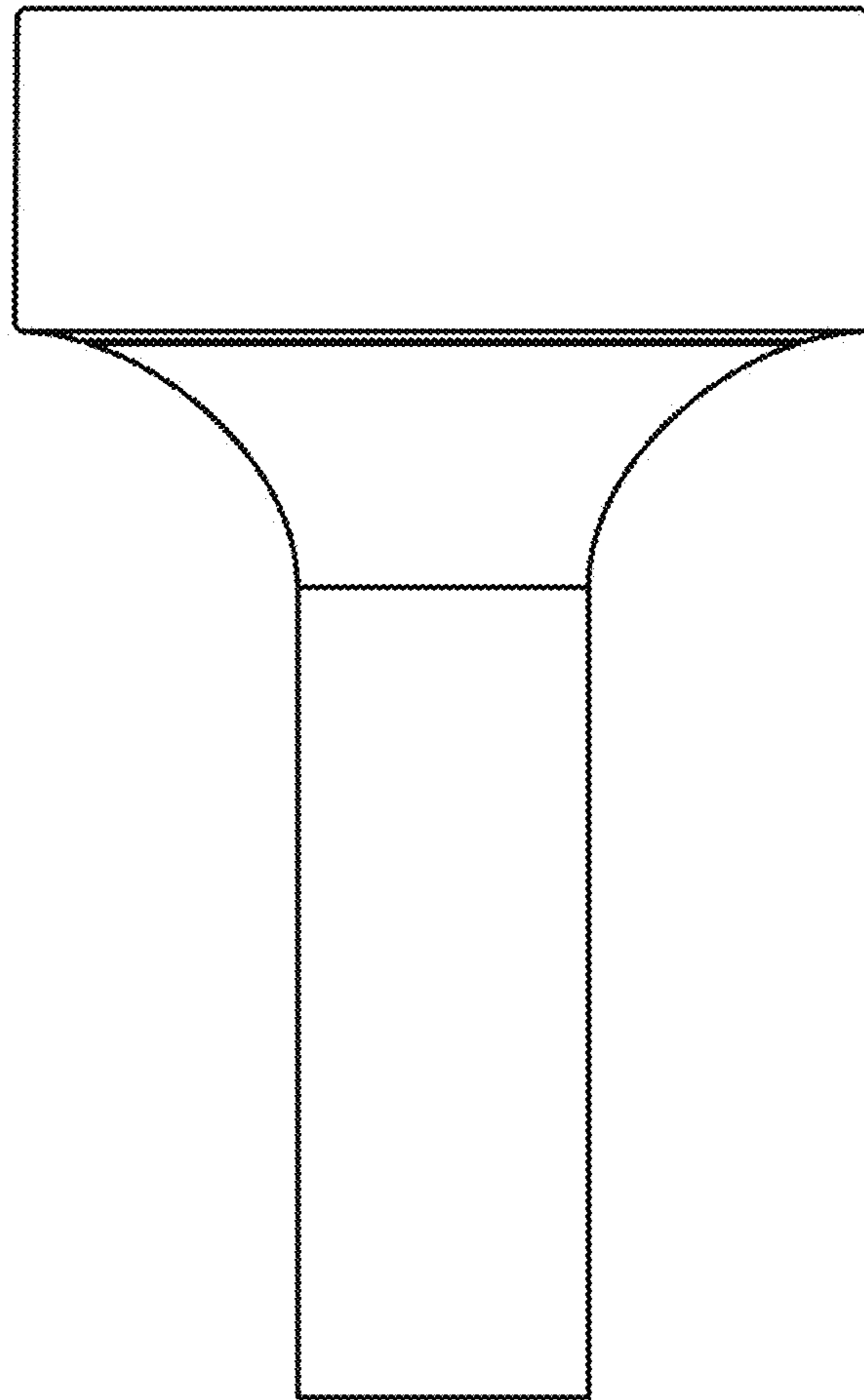


FIG. 5

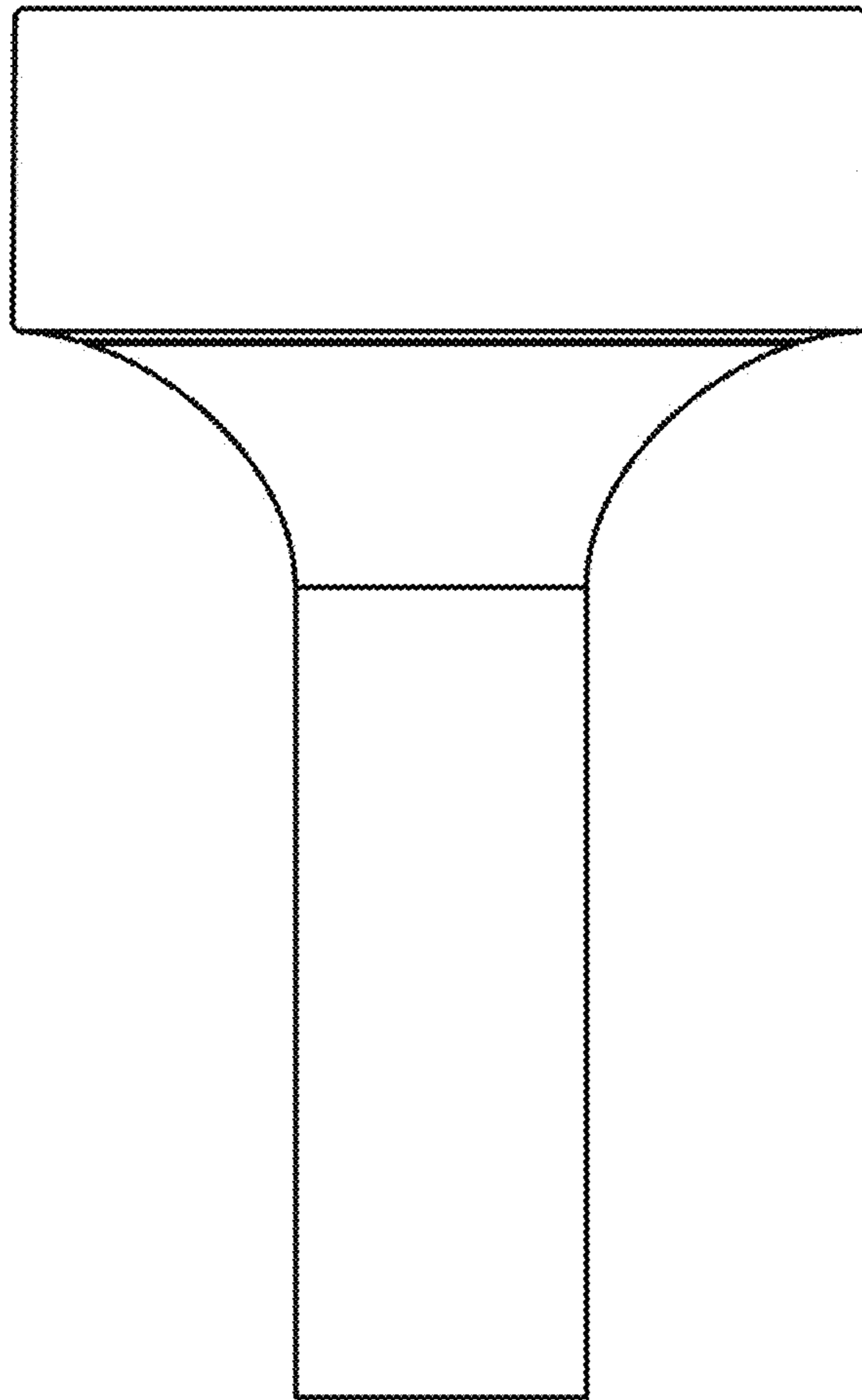


FIG. 6

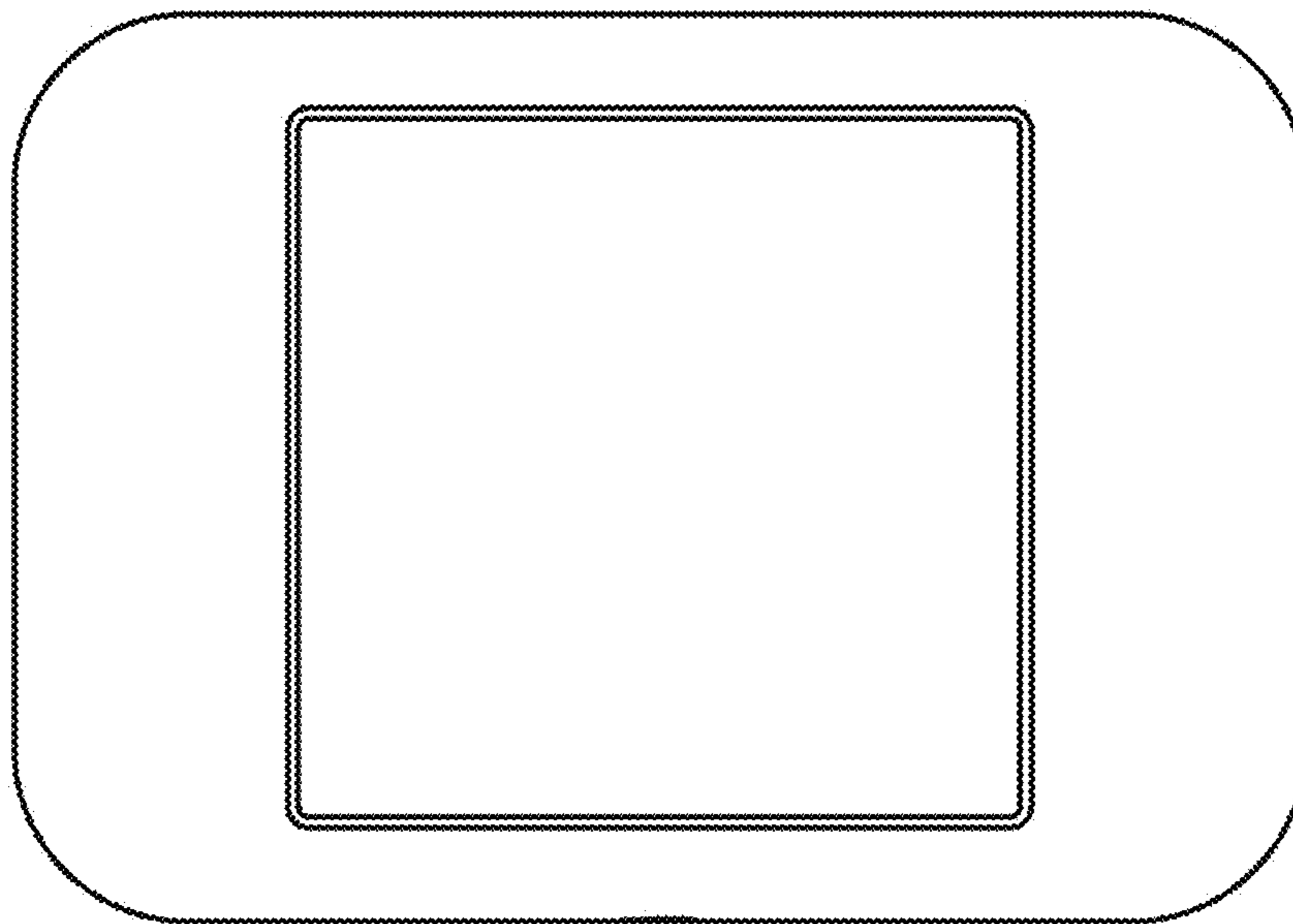


FIG. 7

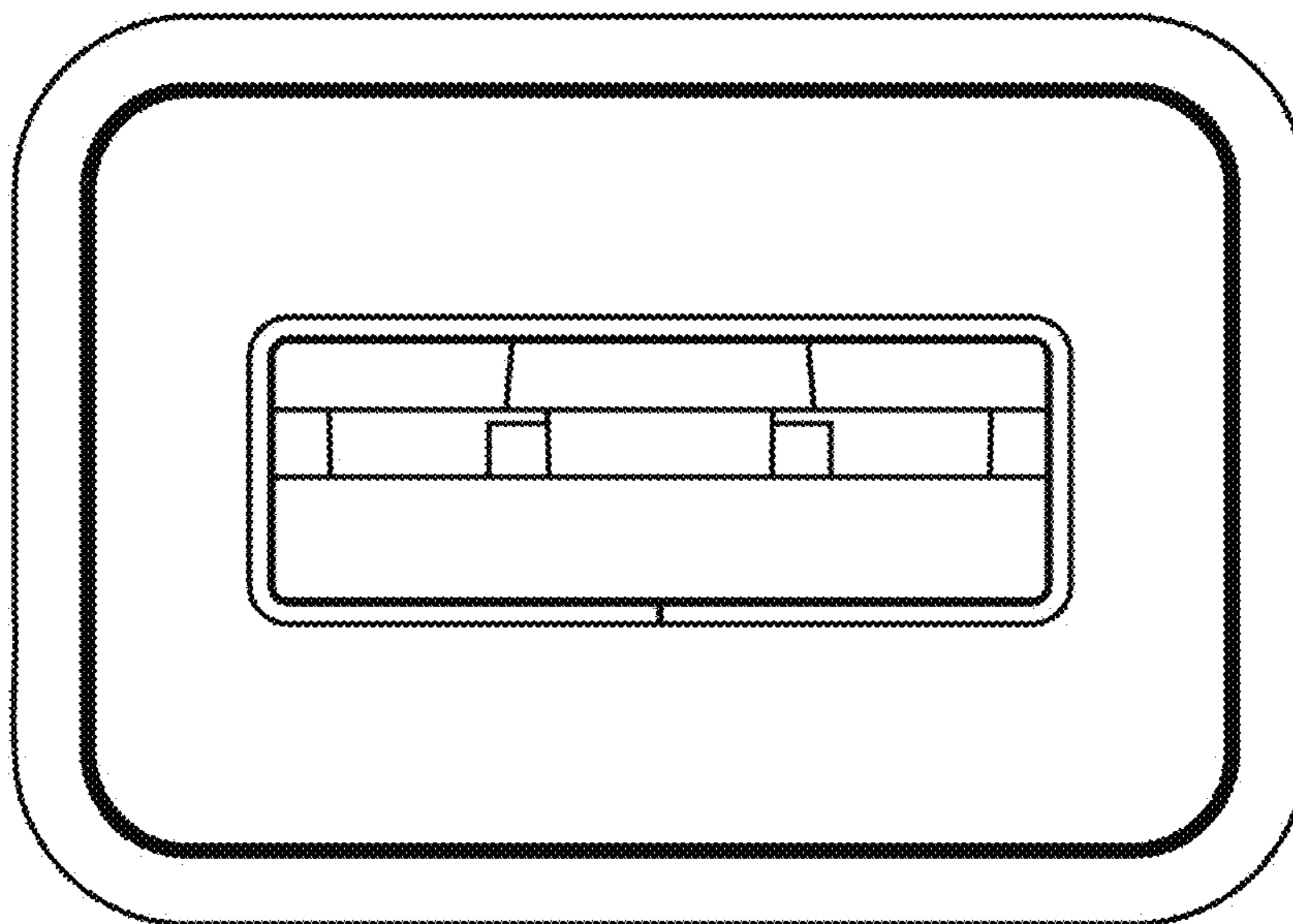


FIG. 8

