



US00D940132S

(12) **United States Design Patent**
Su et al.

(10) **Patent No.:** **US D940,132 S**
(45) **Date of Patent:** **** Jan. 4, 2022**

(54) **AUGMENTED REALITY DEVICE**
(71) Applicant: **Quanta Computer Inc.**, Taoyuan (TW)
(72) Inventors: **Shiu-Yi Su**, Taoyuan (TW); **Shih-Yun Lee**, Taoyuan (TW); **Gwo-Chyuan Chen**, Taoyuan (TW)
(73) Assignee: **QUANTA COMPUTER INC.**, Taoyuan (TW)

D741,327 S * 10/2015 Reznik D14/372
D758,367 S * 6/2016 Natsume D14/372
D776,110 S * 1/2017 Gribetz D14/372
D781,289 S * 3/2017 Patel D14/372
D785,620 S * 5/2017 Zhang D14/372
D813,233 S * 3/2018 Lee D14/372
D820,259 S * 6/2018 Lee D14/372
D835,102 S * 12/2018 Raffle D14/372
D859,404 S * 9/2019 Catania D14/372
D864,960 S * 10/2019 Nieto D14/372
D885,385 S * 5/2020 Jiang D14/372

(**) Term: **15 Years**

* cited by examiner

(21) Appl. No.: **29/724,635**

Primary Examiner — Austin Murphy

(22) Filed: **Feb. 18, 2020**

(74) *Attorney, Agent, or Firm* — McClure, Qualey & Rodack, LLP

(30) **Foreign Application Priority Data**

Dec. 9, 2019 (TW) 108307561

(51) **LOC (13) Cl.** **14-02**

(52) **U.S. Cl.**
USPC **D14/372**

(58) **Field of Classification Search**
USPC D14/372, 496, 432, 371, 125, 126, 129,
D14/299; D16/300–342; 351/158, 153,
351/144; 345/7–9, 905; 455/344;
348/115, 53, 121, 739

CPC G02B 27/017; G02B 27/0158; G02B
27/0161; G02B 27/0181; G02B 27/0185;
G02B 27/0189

See application file for complete search history.

(56) **References Cited**

U.S. PATENT DOCUMENTS

D369,595 S * 5/1996 Kober D14/372
D415,146 S * 10/1999 Hori D14/372

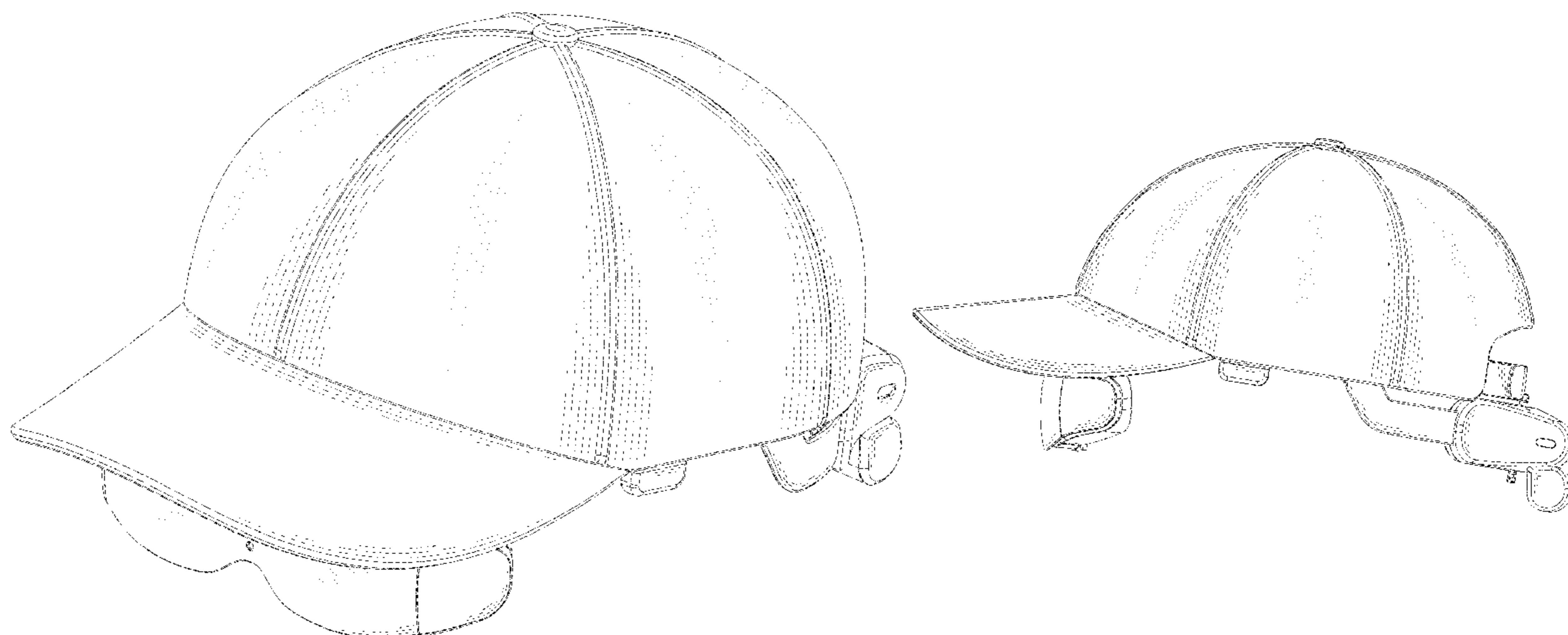
(57) **CLAIM**

The ornamental design for an augmented reality device, as shown and described.

DESCRIPTION

FIG. 1 is a front perspective view of an augmented reality device in accordance with our new and ornamental design; FIG. 2 is a front view thereof; FIG. 3 is a rear view thereof; FIG. 4 is a left side view thereof; FIG. 5 is a right side view thereof; FIG. 6 is a top plan view thereof; and, FIG. 7 is a bottom plan view thereof.

1 Claim, 7 Drawing Sheets



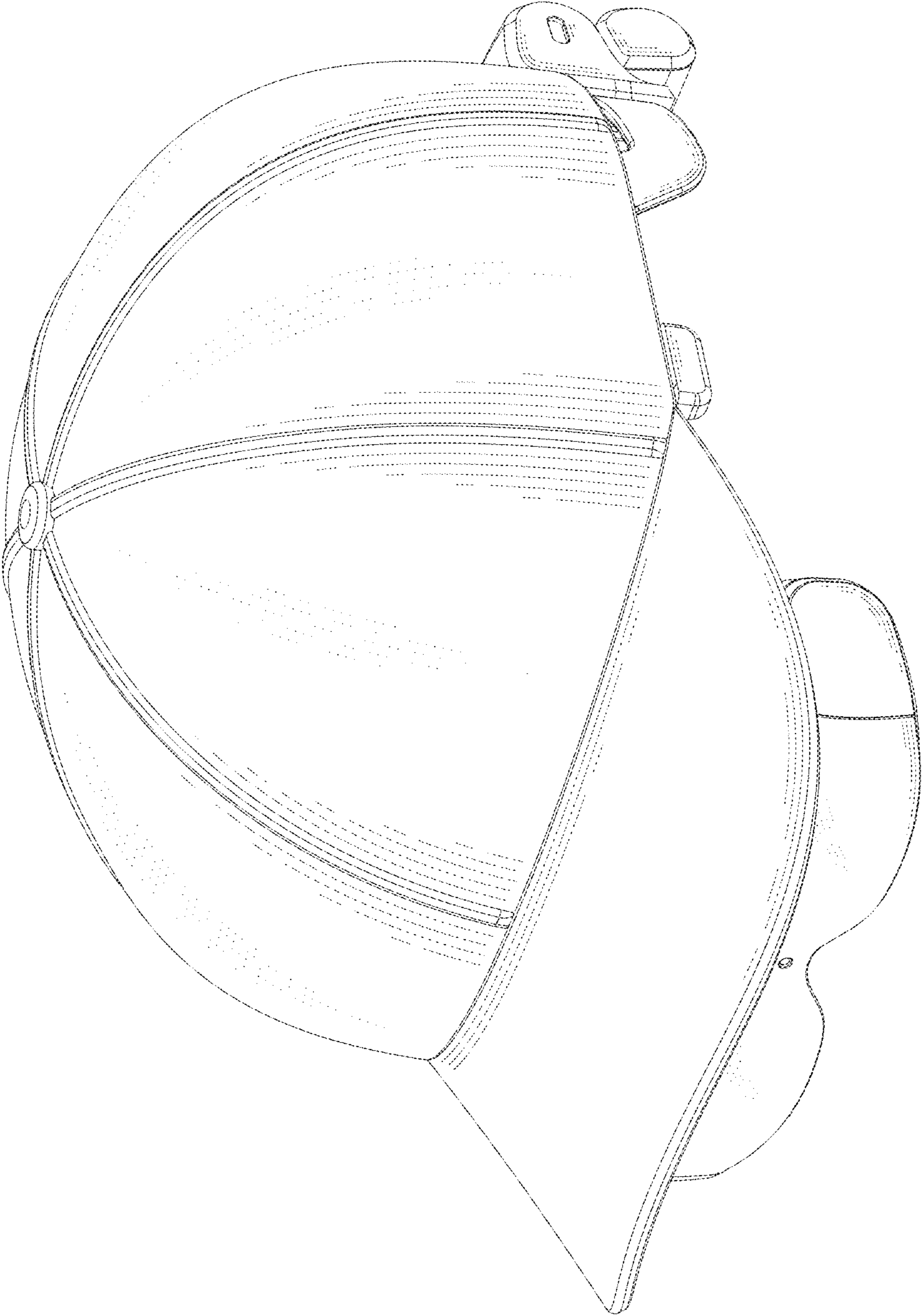


FIG. 1

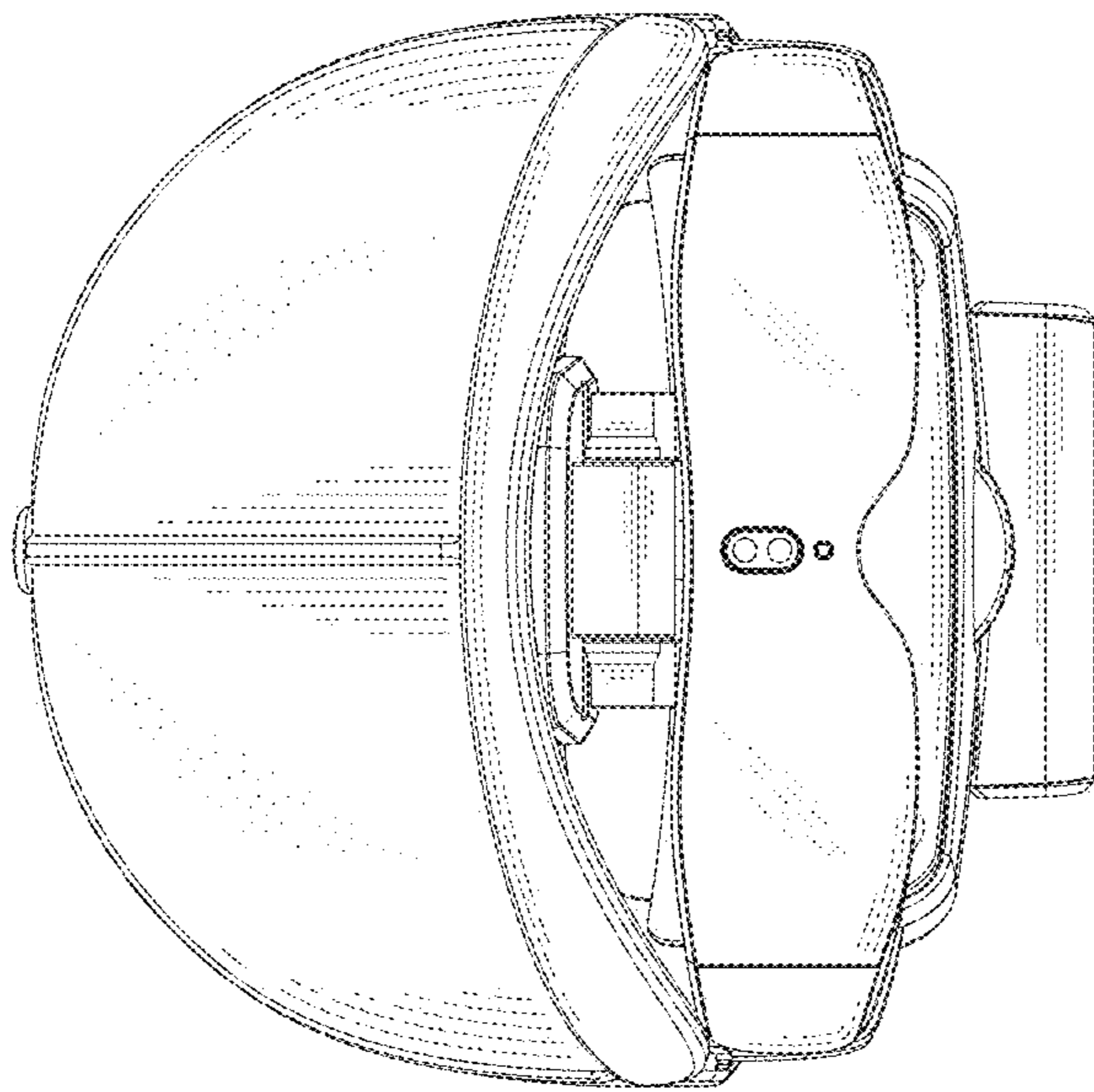


FIG. 2

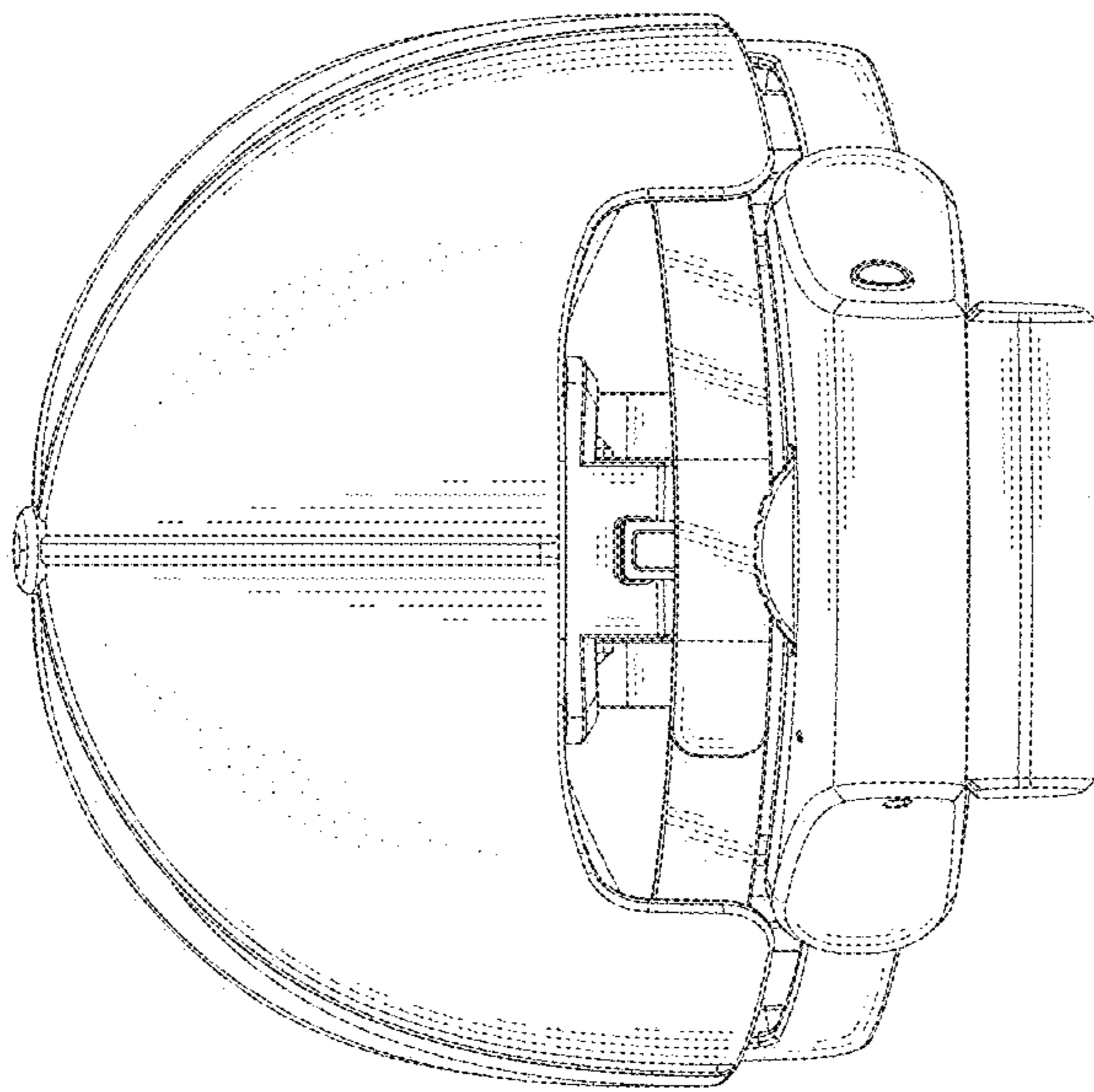


FIG. 3

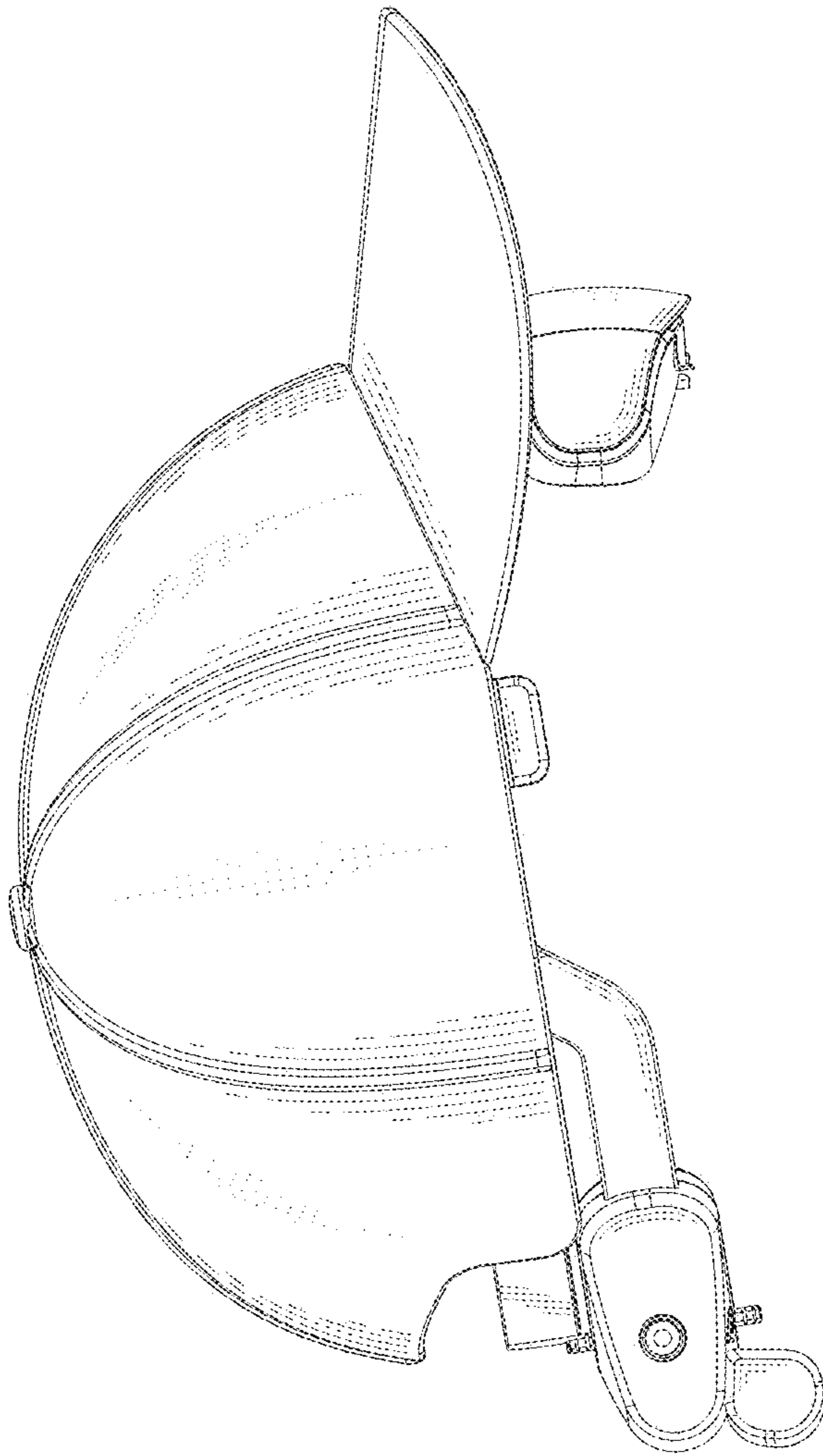


FIG. 4

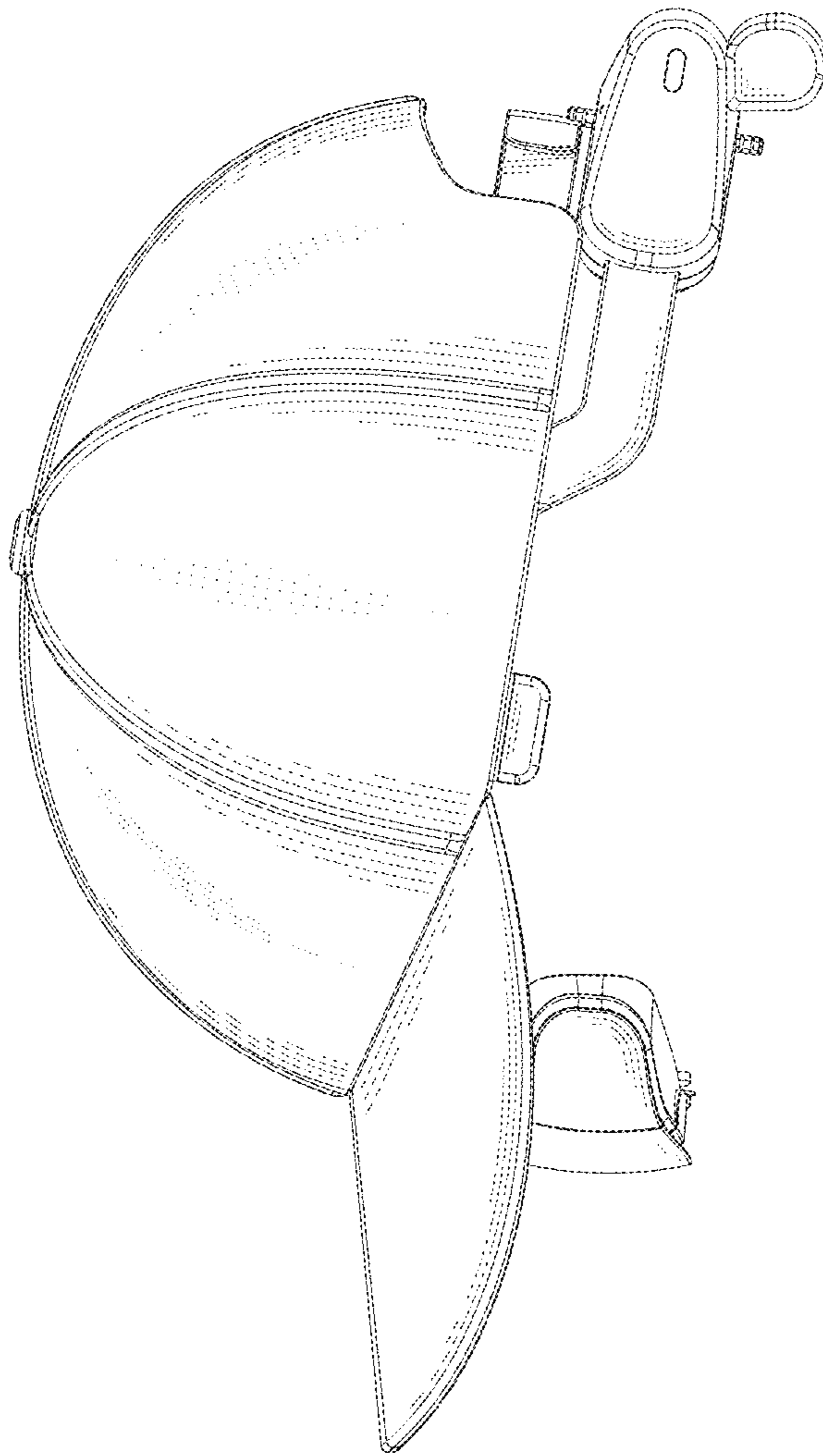


FIG. 5

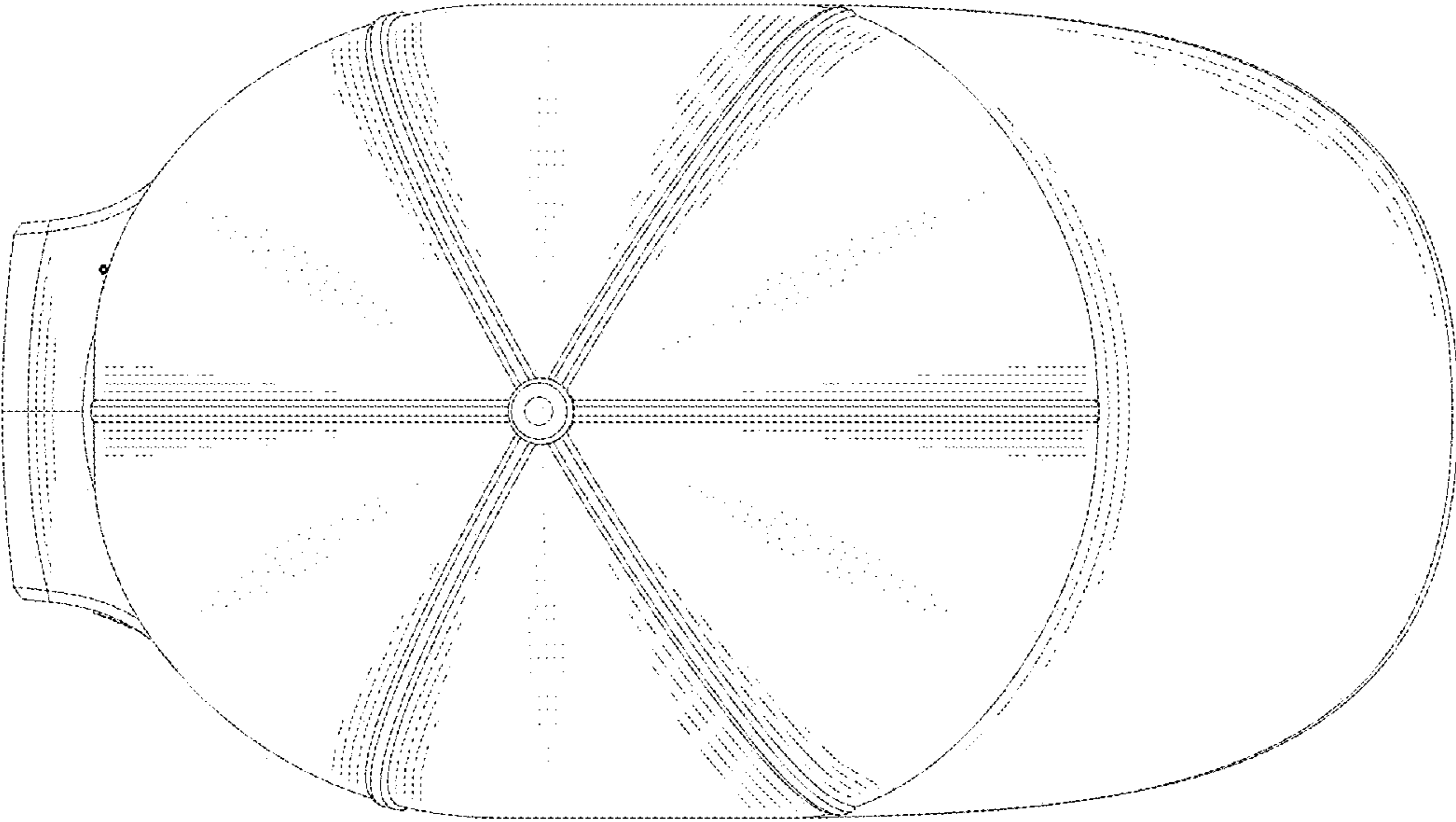


FIG. 6

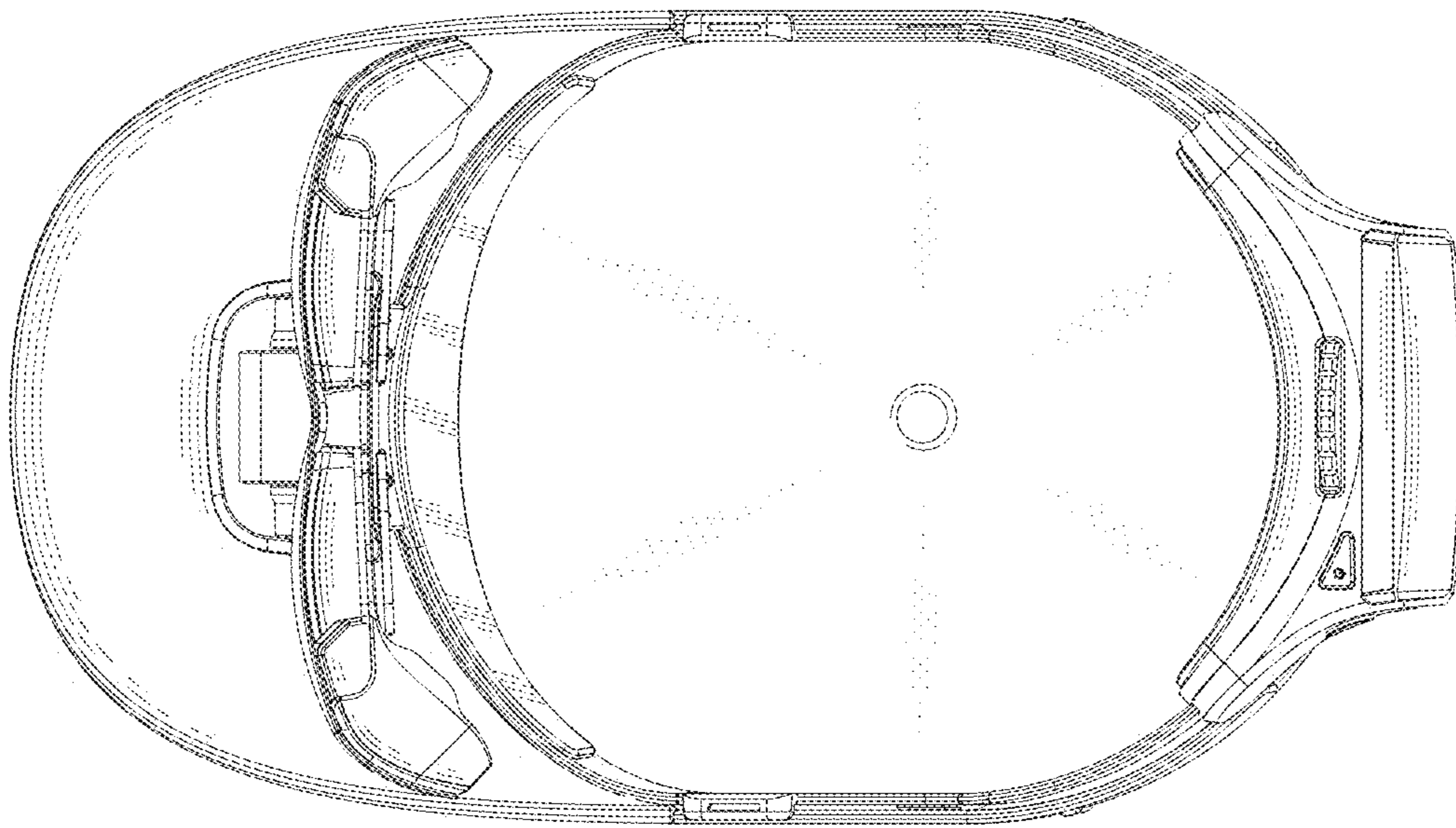


FIG. 7