



US00D940130S

(12) **United States Design Patent**
Li et al.

(10) **Patent No.:** **US D940,130 S**
(45) **Date of Patent:** **** *Jan. 4, 2022**

(54) **BUILDING CONTROL MODULE**

- (71) Applicant: **Honeywell International Inc.**,
Charlotte, NC (US)
- (72) Inventors: **Peilin Li**, Shanghai (CN); **Haitao Li**,
Beijing (CN); **Sandesh Devaraja**,
Bengaluru (IN); **Ke Zhang**, Beijing
(CN); **Yidan Zhao**, Shanghai (CN);
Unmesh Shankar Kulkarni, Bangalore
(IN)
- (73) Assignee: **Honeywell International Inc.**,
Charlotte, NC (US)
- (*) Notice: This patent is subject to a terminal dis-
claimer.
- (**) Term: **15 Years**
- (21) Appl. No.: **29/758,184**
- (22) Filed: **Nov. 12, 2020**

Related U.S. Application Data

- (62) Division of application No. 29/712,562, filed on Nov.
8, 2019, now Pat. No. Des. 902,204.
- (51) **LOC (13) Cl.** **14-02**
- (52) **U.S. Cl.**
USPC **D14/358**; D13/162.1
- (58) **Field of Classification Search**
USPC D13/162, 162.1, 184; D10/49, 50;
D14/240, 358
CPC G06F 1/181; G05B 11/01; G05B 15/02;
G08C 17/00; G08C 17/02; H01Q 1/007;
H04W 88/005; H04W 88/02; H04W
88/08; H04W 88/085; H04W 88/10;
H04W 88/12;

(Continued)

(56) **References Cited**

U.S. PATENT DOCUMENTS

- D400,180 S 10/1998 Shimizu
- D578,029 S 10/2008 Plewa

(Continued)

OTHER PUBLICATIONS

JACE 8000 Controller; before Jan. 1, 2017; 6 pgs.; https://www.google.com/search?q=Honeywell+International+building+controller+before%3A2017-01-01&tbm=isch&ved=2ahUKEwj70K6EsZDoAhWJBN8KHbFPB1sQ2-cCegQIABAA&oeq=Honeywell+International+building+conlioller+before%3A2017-01-01&gs_l=img .3 ...378229.396120 .. 397891 ... 6.

(Continued)

Primary Examiner — Selina Sikder

(74) *Attorney, Agent, or Firm* — Seager, Tufte & Wickhem, LLP

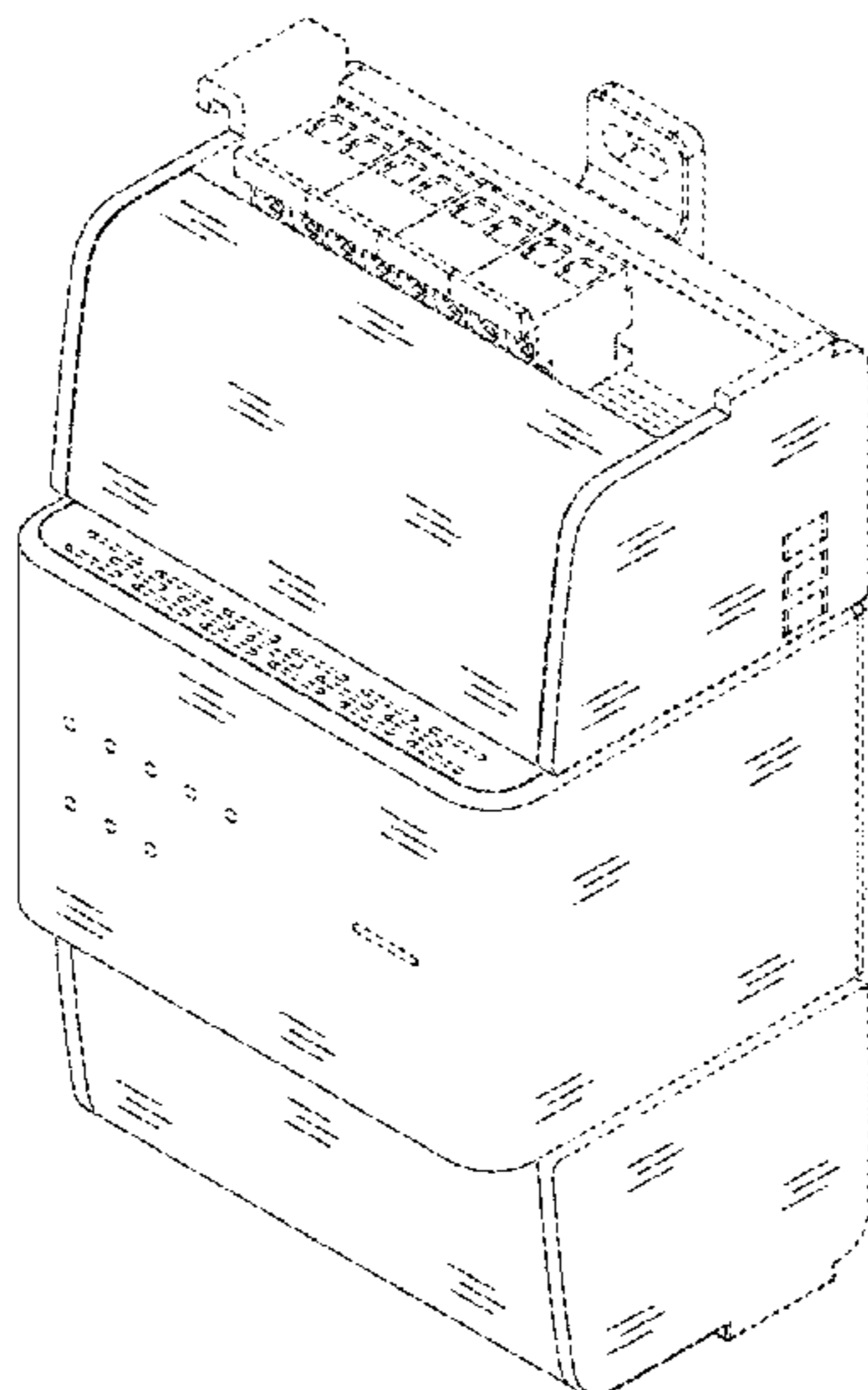
(57) **CLAIM**

The ornamental design for a building control module, as shown and described.

DESCRIPTION

FIG. 1 is a perspective view of a building control module; FIG. 2 is a front elevation view of the building control module of FIG. 1; FIG. 3 is a top plan view of the building control module of FIG. 1; FIG. 4 is a bottom plan view of the building control module of FIG. 1; FIG. 5 is a left side view of the building control module of FIG. 1; FIG. 6 is a right side view of the building control module of FIG. 1; and, FIG. 7 is a perspective view of the building control module of FIG. 1 with top and bottom covers removed. In the drawings, the claimed design is defined by the shaded surfaces; broken lines immediately adjacent shaded surfaces represent boundaries of the claim and form no part thereof; all other broken lines depict unclaimed environmental subject matter and form no part of the claim.

1 Claim, 7 Drawing Sheets



(58) **Field of Classification Search**
 CPC H04W 88/14; H04W 88/16; G11B 33/08;
 G11B 33/126; G11B 33/128; H02J
 7/0042; H02J 7/0044; H02J 7/0068
 See application file for complete search history.

(56) **References Cited**

U.S. PATENT DOCUMENTS

D596,963 S	7/2009	Novotny et al.
D596,964 S	7/2009	Wang et al.
D607,843 S	1/2010	Borax
D620,454 S	7/2010	Lissola
D628,199 S	11/2010	Yukikado et al.
D659,652 S	5/2012	Wong
D678,084 S	3/2013	Beland et al.
D705,223 S	5/2014	Akana et al.
D720,633 S	1/2015	Novotny et al.
D735,667 S	3/2015	Mielnik et al.
D758,365 S	6/2016	Shimano
D768,585 S	6/2016	Moore
D762,842 S	8/2016	Kokeny et al.
D765,031 S	8/2016	Mielnik et al.
D774,005 S	12/2016	Ye et al.
D792,353 S	7/2017	Yoshida

D793,967 S	8/2017	Leeland et al.
D815,606 S	4/2018	Nada
D828,816 S	9/2018	Spors et al.
D865,731 S	11/2019	Sun
D873,269 S	1/2020	Hu
D902,204 S	* 11/2020	Li D14/358
D902,925 S	* 11/2020	Li D14/358
D905,689 S	* 12/2020	Li D14/358
D905,690 S	* 12/2020	Li D14/358
D907,633 S	* 1/2021	Li D14/358
D914,017 S	* 3/2021	Li D14/358

OTHER PUBLICATIONS

“Advantech Introduces New Direct Digital Controller with integrated BACNet Router-BAS-3500BC,” Advantech, 1 page, Dec. 2012.

“Advantech Launches Full-Featured Building Automation Controller Series,” Design World Staff, 9 pages, Jan. 28, 2009.

U.S. Appl. No. 29/662,117, “Building Controller,” filed Sep. 1, 2018.

U.S. Appl. No. 29/662,118, “User Interface Module And Mounting Base For A Building Control System,” filed Sep. 1, 2018.

* cited by examiner

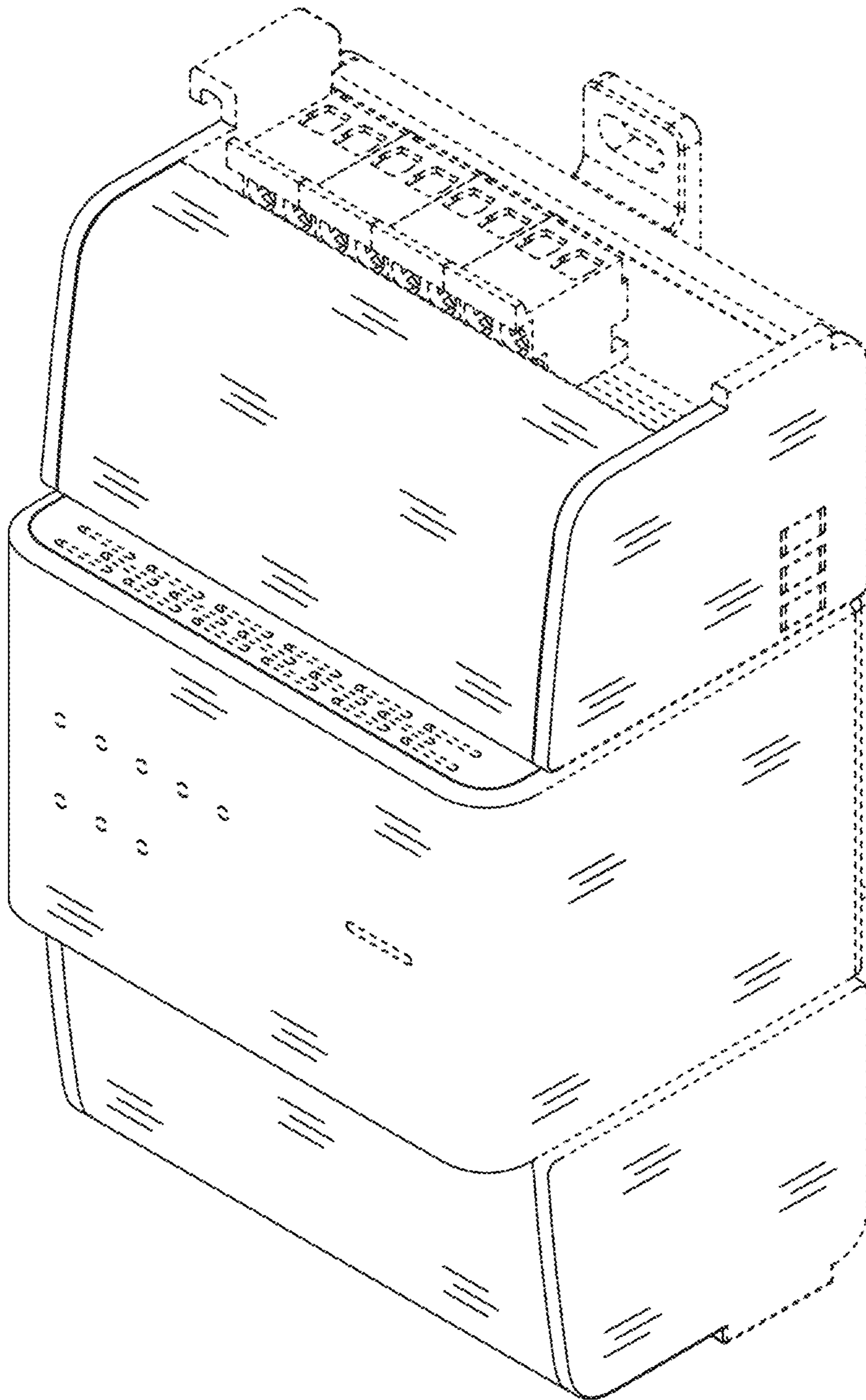


FIG. 1

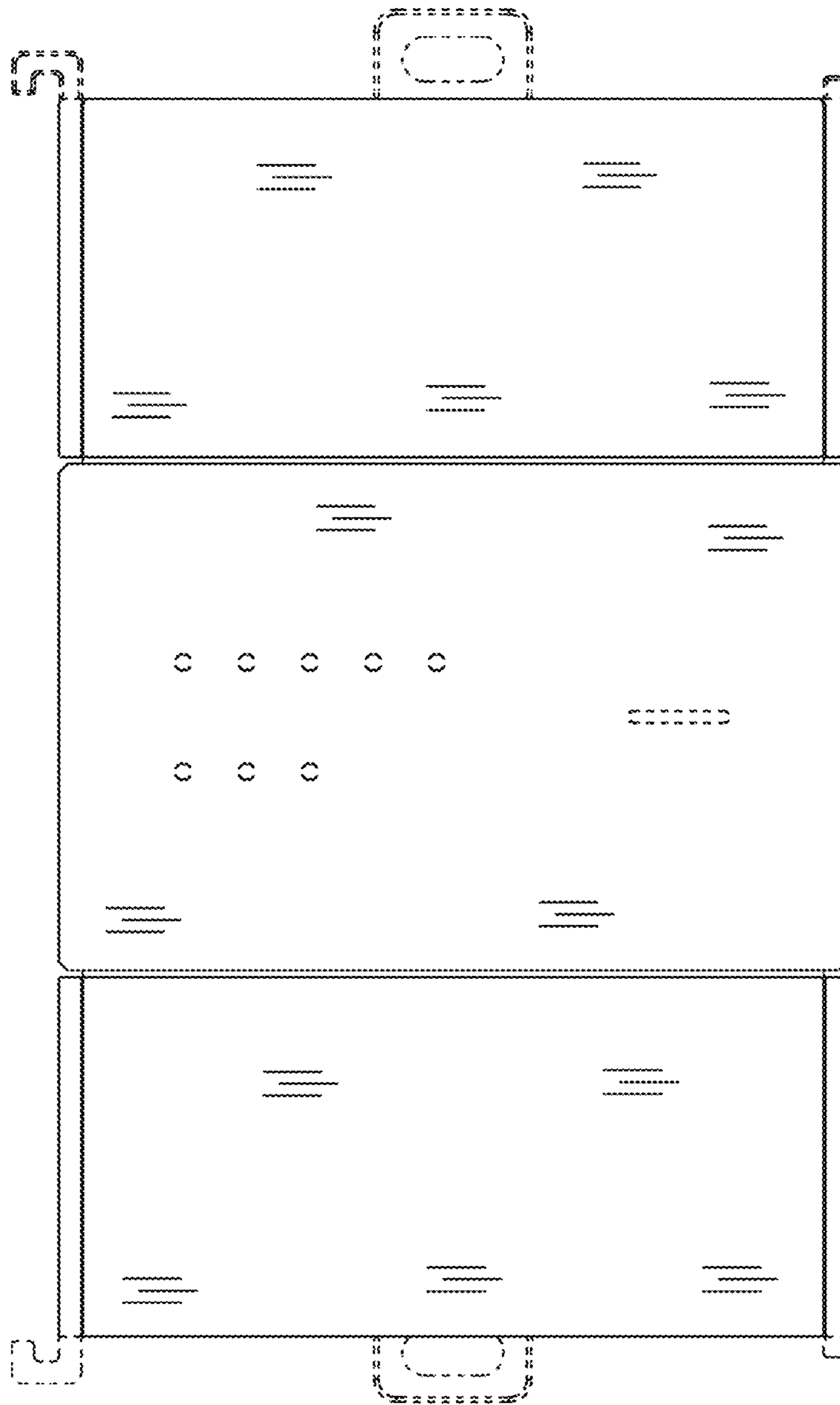


FIG. 2

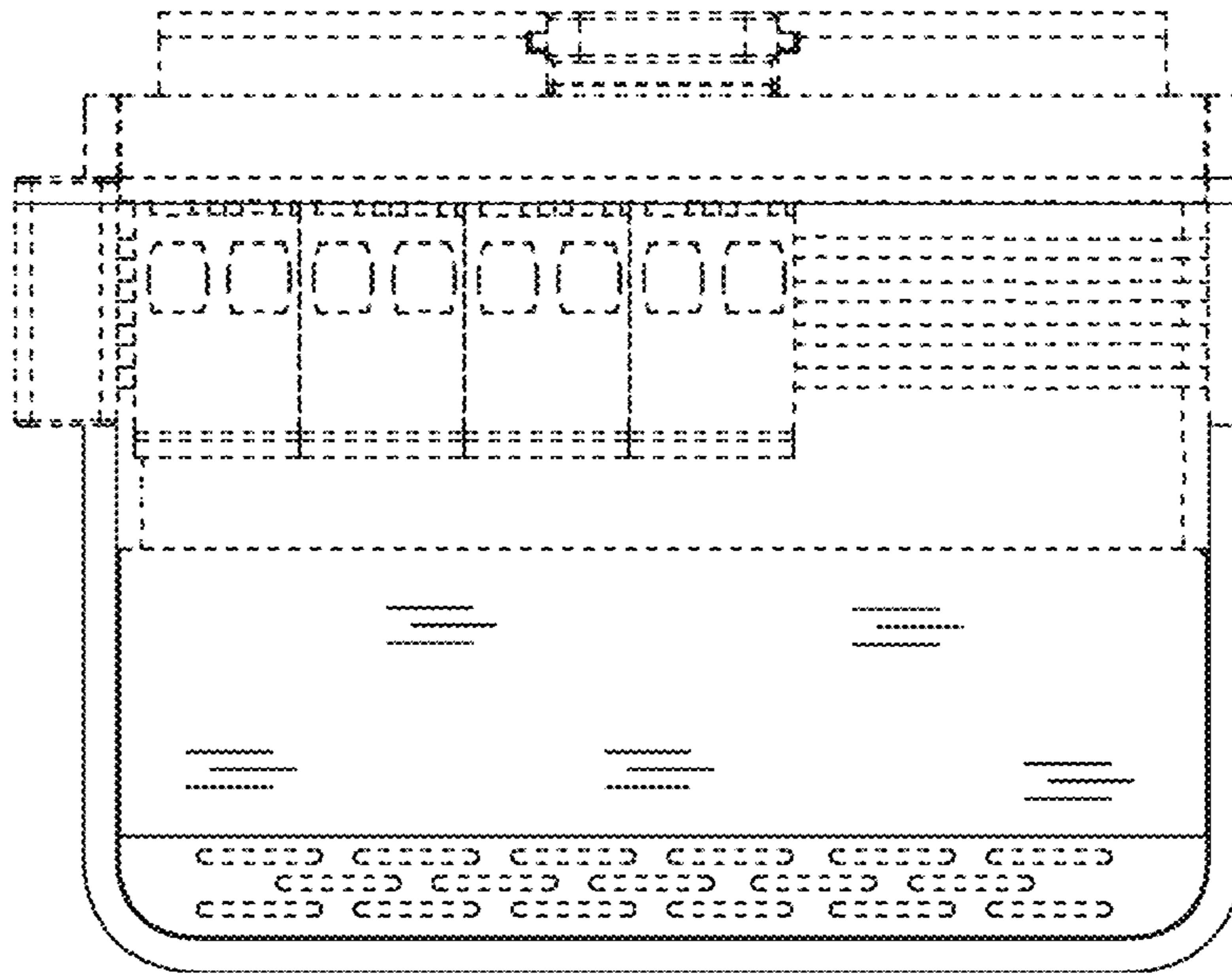


FIG. 3

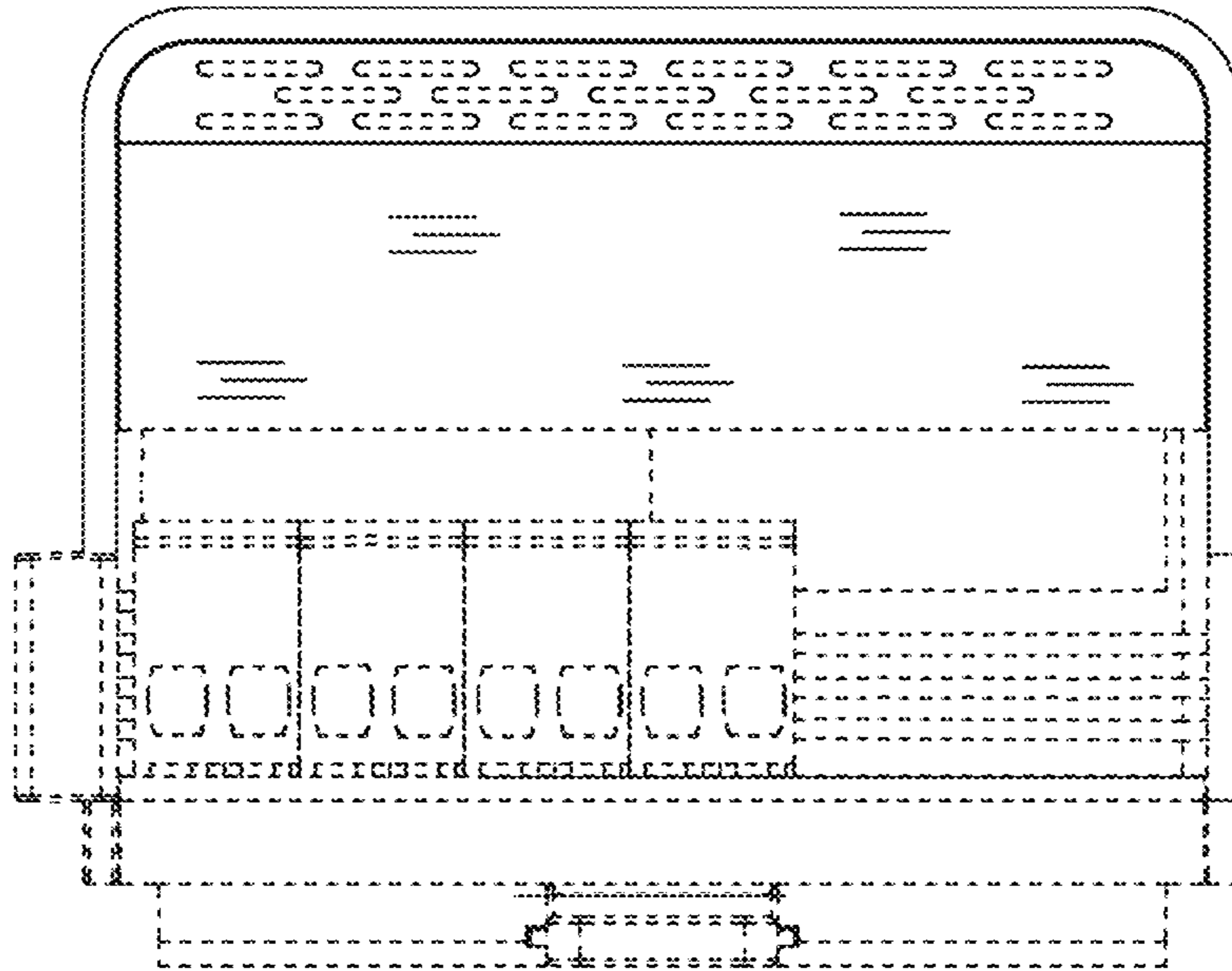


FIG. 4

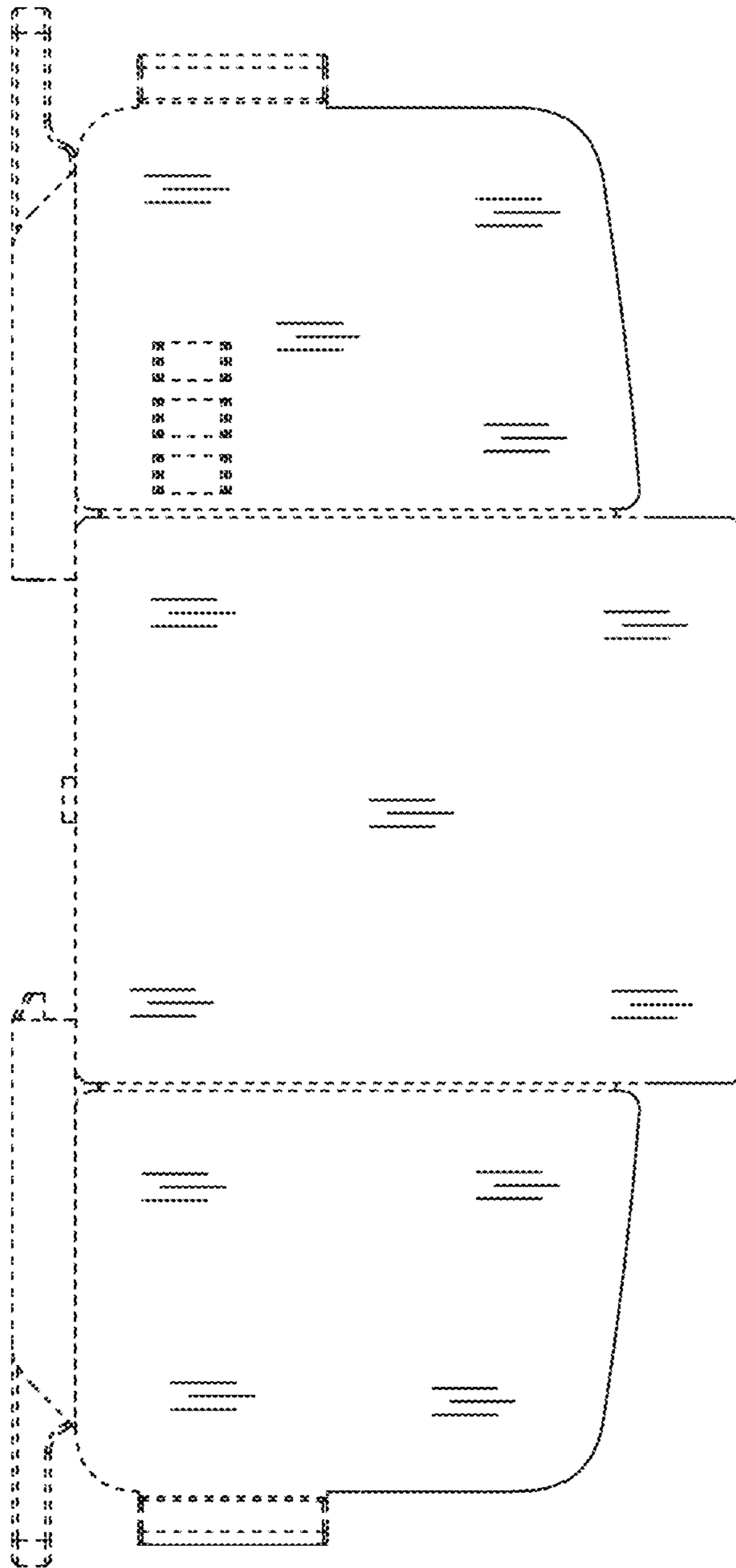


FIG. 5

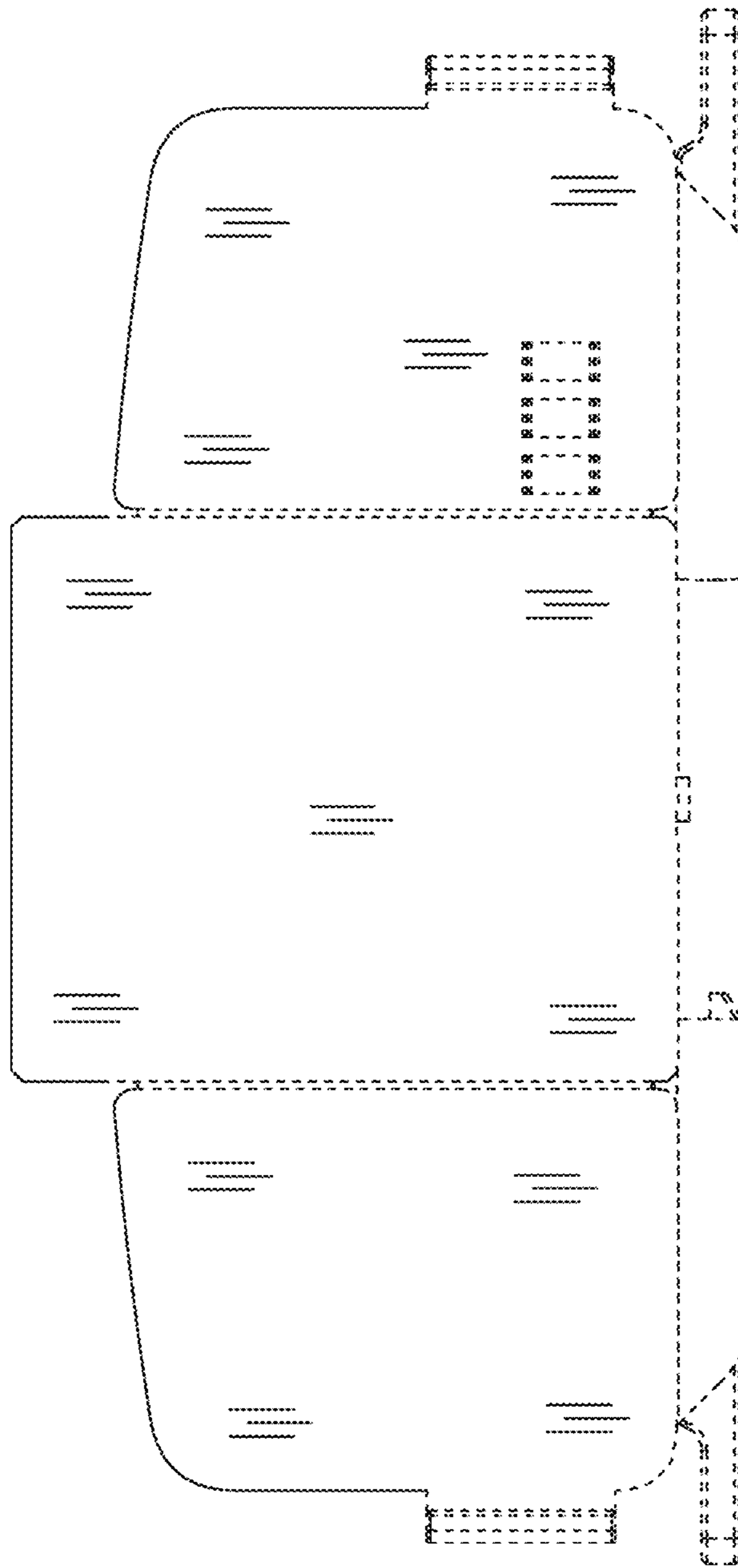


FIG. 6

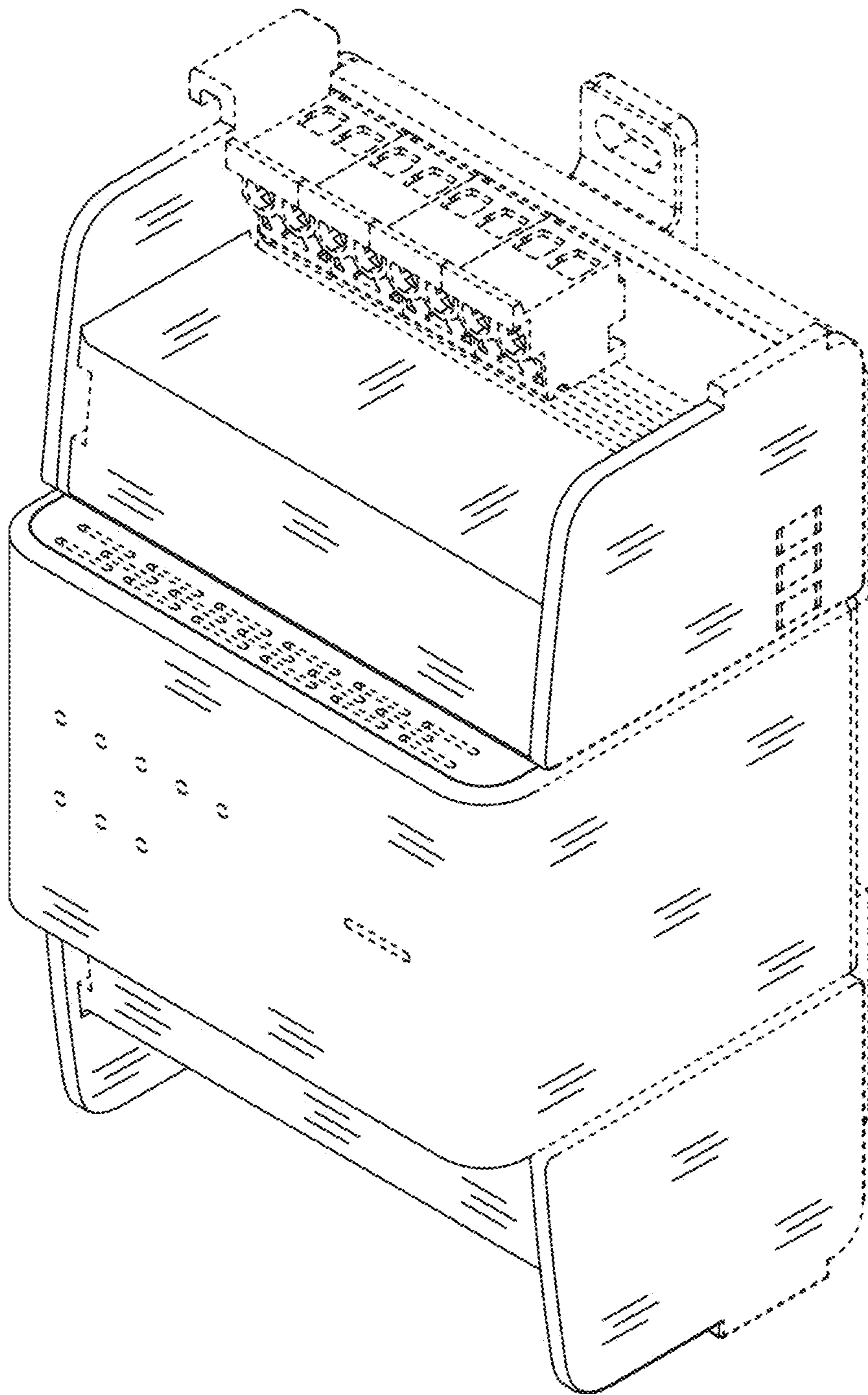


FIG. 7