



US00D940126S

(12) **United States Design Patent** (10) **Patent No.:** **US D940,126 S**
Damon et al. (45) **Date of Patent:** **** Jan. 4, 2022**

(54) **VENDING KIOSK**
(71) Applicant: **Truebird, Inc.**, Brooklyn, NY (US)
(72) Inventors: **Jonas Kingsley Damon**, Brooklyn, NY (US); **Michael Hazen Knuepfel**, Brooklyn, NY (US); **Andrew William Lynch**, Brooklyn, NY (US); **Joshua David Feuerstein**, Brooklyn, NY (US); **Darian Montague Ahler**, Brooklyn, NY (US); **Daniel Glenn Padgett**, Brooklyn, NY (US); **Michael Lee Wong**, Brooklyn, NY (US)

D115,304 S * 6/1939 Wyman D25/59
D115,504 S * 7/1939 Martial D6/661.2
D116,022 S * 8/1939 Clerc D6/661
D116,456 S * 9/1939 Vaughn D6/661.2
D159,887 S * 8/1950 Belsky D6/661.2
D163,803 S * 7/1951 Hazelton D21/509
D172,859 S * 8/1954 Belew D99/28
D204,195 S * 3/1966 Rawson D14/302
D365,472 S * 12/1995 Rehnberg D6/661
D375,606 S * 11/1996 Dallman D99/28
D522,274 S * 6/2006 Coval D6/661.2

(Continued)

(73) Assignee: **Truebird, Inc.**, Brooklyn, NY (US)
(**) Term: **15 Years**

Image from <https://uniquekiosk.com/wp-content/uploads/2018/10/coffee.png>, retrieved on Oct. 18, 2019, 1 page.

(Continued)

(21) Appl. No.: **29/709,986**
(22) Filed: **Oct. 18, 2019**
(51) **LOC (13) Cl.** **14-02**
(52) **U.S. Cl.**
USPC **D14/302**; D6/661; D20/4
(58) **Field of Classification Search**
USPC D6/661, 661.2; D14/302-307, 900-902;
D15/79, 81, 89; D21/325, 332, 369, 370;
D20/1-9; D25/10; D34/20; D99/28
CPC G06Q 20/18; G07F 7/00; G07F 7/025;
G07F 7/08; G07F 7/12; G07F 11/00;
G07F 11/02; G07F 11/62; G07F 11/165;
G07F 7/069; G07F 17/00; G07F 17/40
See application file for complete search history.

Primary Examiner — Mary Ann Calabrese
Assistant Examiner — Catherine Ho
(74) *Attorney, Agent, or Firm* — Pillsbury Winthrop Shaw Pittman, LLP

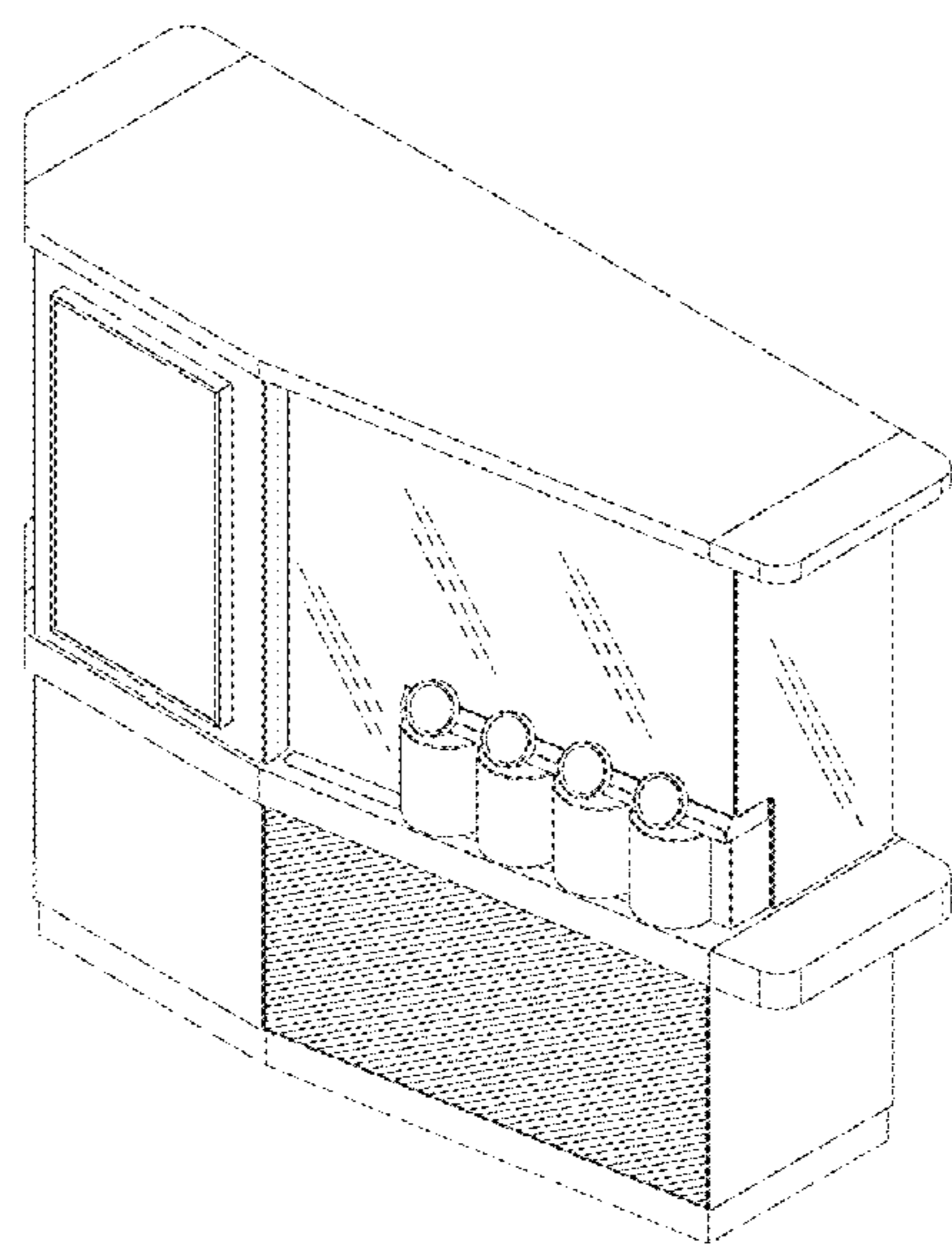
(57) **CLAIM**
The ornamental design for a vending kiosk, as shown and described.

DESCRIPTION

FIG. 1 is a line drawing perspective view of an embodiment of a vending kiosk showing our design;
FIG. 2 is a line drawing front elevation view thereof;
FIG. 3 is a line drawing back elevation view thereof;
FIG. 4 is a line drawing left elevation view thereof;
FIG. 5 is a line drawing right elevation view thereof; and,
FIG. 6 is a line drawing top view thereof.
Portions of the article not shown in the drawing as forming no part of the claimed design. The claimed design includes an alternate embodiment which is a mirror image of the embodiment shown in FIGS. 1-6.

(56) **References Cited**
U.S. PATENT DOCUMENTS
D48,640 S * 2/1916 Kurz D6/661.2
D49,285 S * 6/1916 Simpson D6/661.2
D85,605 S * 11/1931 Thompson D6/661.2
D100,141 S * 6/1936 Worth D6/661
D114,089 S * 4/1939 Martial D6/661

1 Claim, 6 Drawing Sheets



(56)

References Cited

U.S. PATENT DOCUMENTS

D727,665 S * 4/2015 Hodges D6/661.2
D829,341 S * 9/2018 Morohoshi D25/33
2010/0084426 A1 4/2010 Devers et al.
2010/0125362 A1 5/2010 Canora
2011/0123688 A1 5/2011 Deo
2012/0285986 A1 11/2012 Irvin
2014/0272049 A1 9/2014 Azzano et al.
2014/0299630 A1 10/2014 Brown
2014/0316916 A1 10/2014 Hay
2015/0122130 A1 5/2015 Wunder
2016/0340166 A1 11/2016 Broen

OTHER PUBLICATIONS

Budds, Diana, "Can a \$25,000 robot make better coffee than a barista?" Curbed.com, Feb. 23, 2018, 10 pages, <https://web.archive.org/web/20191001052617/https://www.curbed.com/2018/2/23/17041842/cafe-x-automated-coffee-robot-ammunition-design>.

Brown, Nick, "Automated 'Specialty' Vendor Briggo Opening in Austin's Airport," Daily Coffee News, Jul. 12, 2018, 4 page, 11. <https://web.archive.org/web/20180726165742/https://dailycoffeenews.com/2018/07/12/automated-specialty-vendor-briggo-opening-in-austins-airport/>.

Image from <https://graphictickets.com/wp-content/uploads/2017/04/Starbucks-machine-on-the-go.jpg>, retrieved on Oct. 18, 2019, 1 page.

* cited by examiner

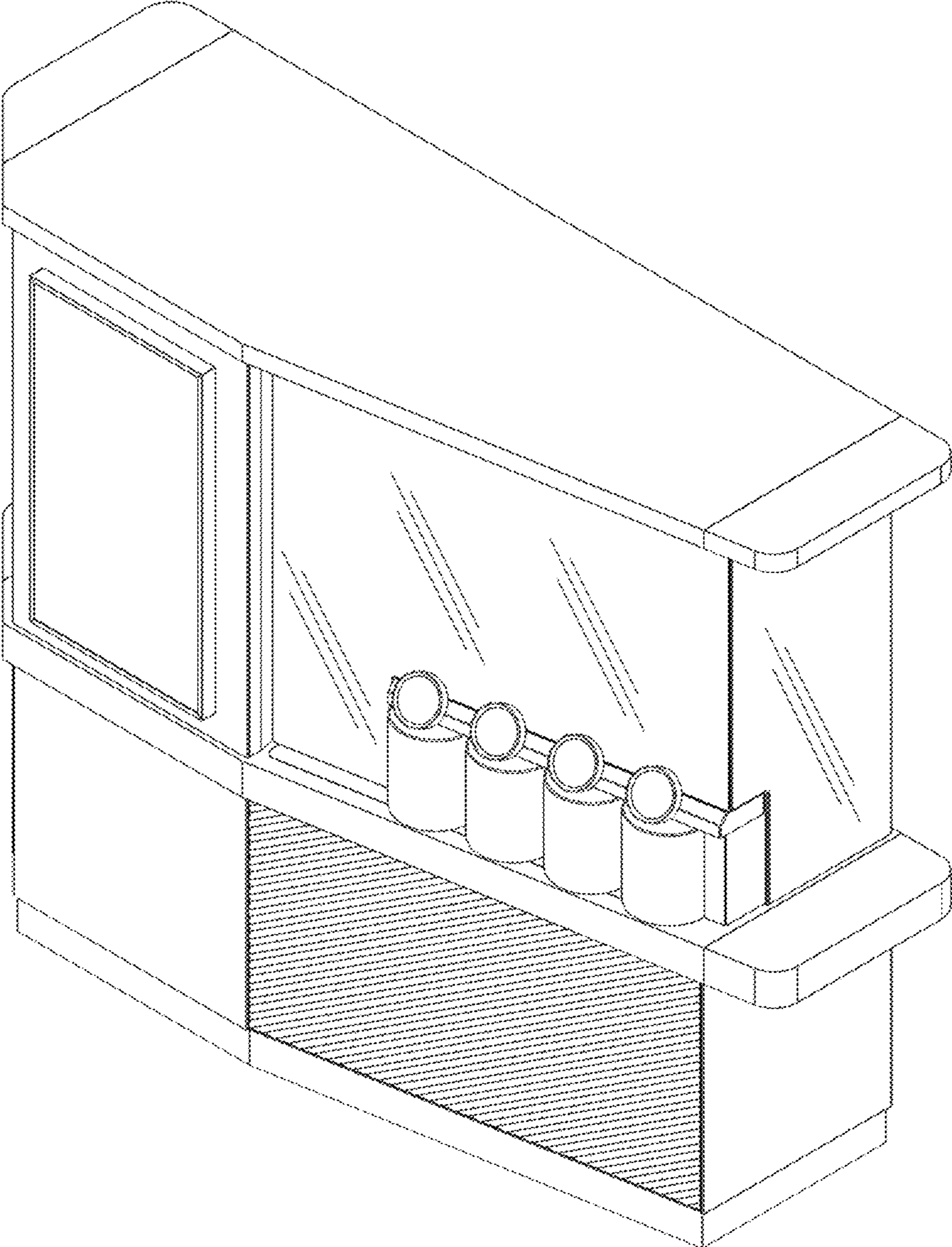


FIG. 1

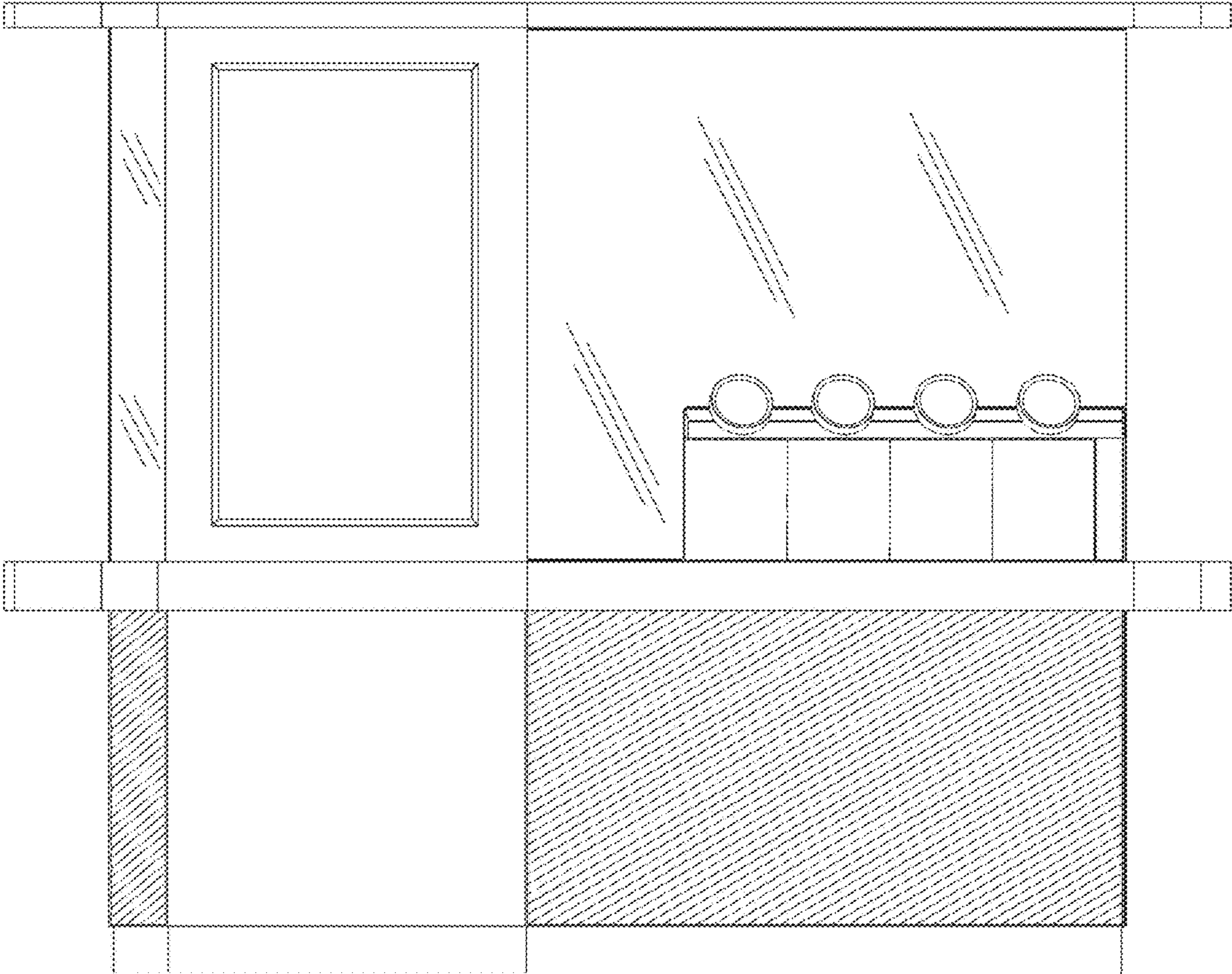


FIG. 2

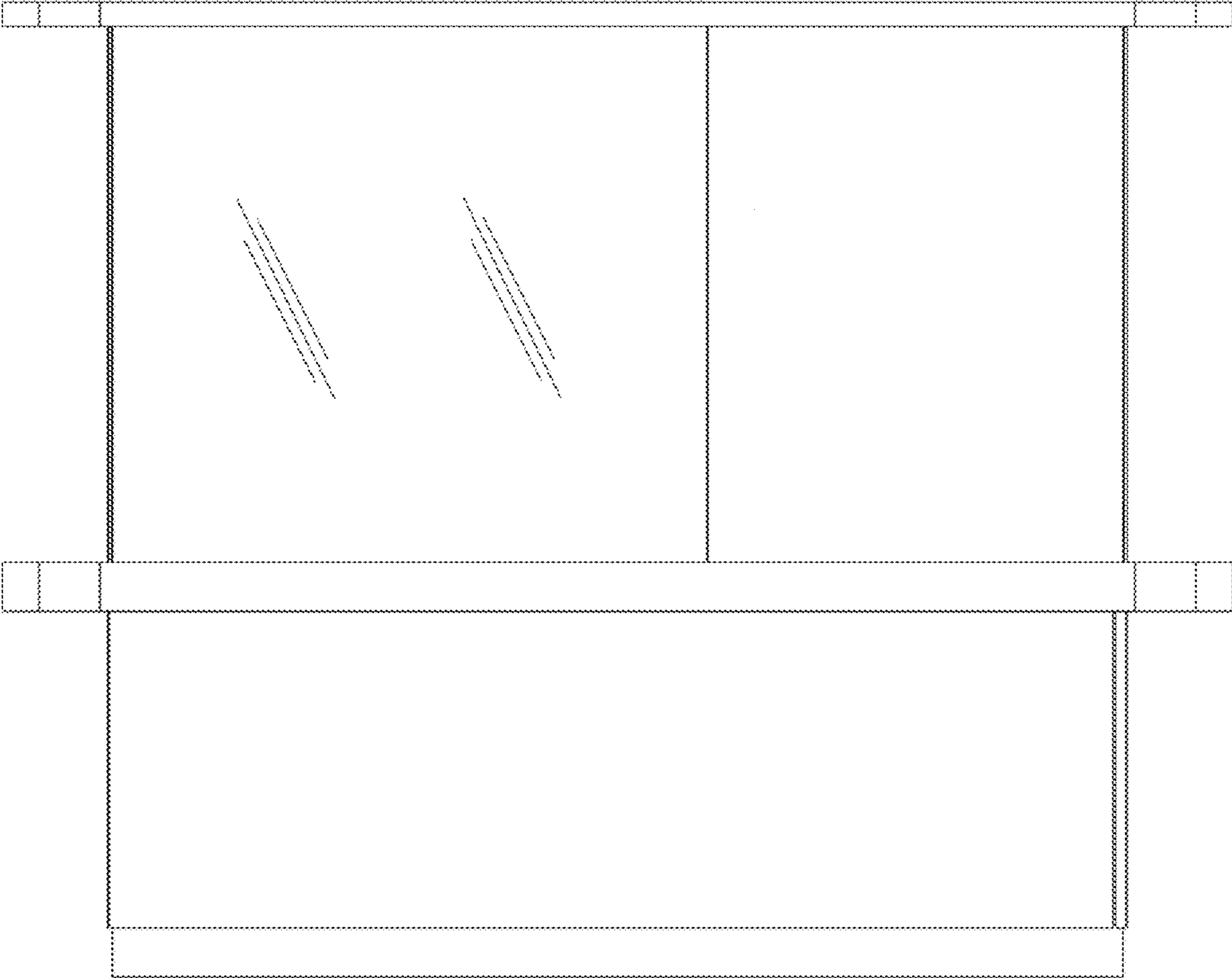


FIG. 3

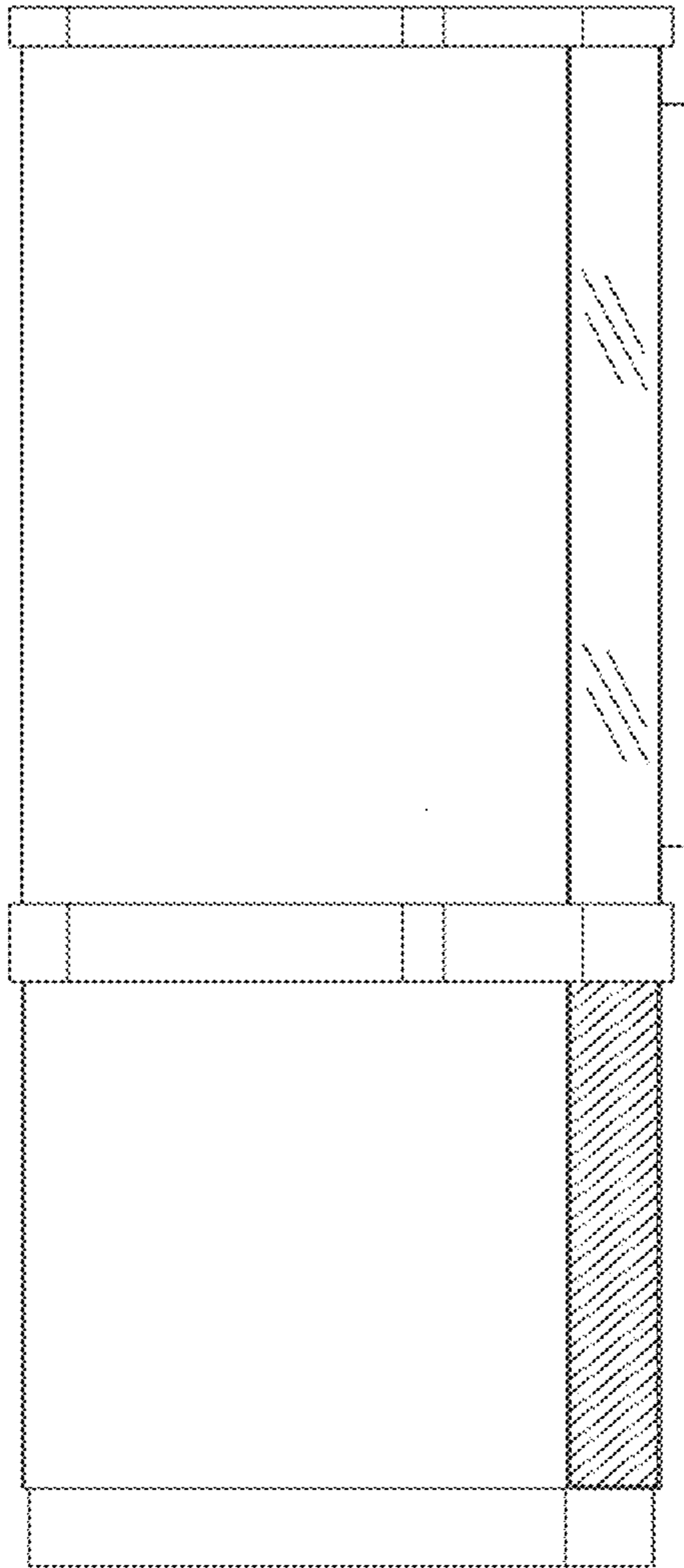


FIG. 4

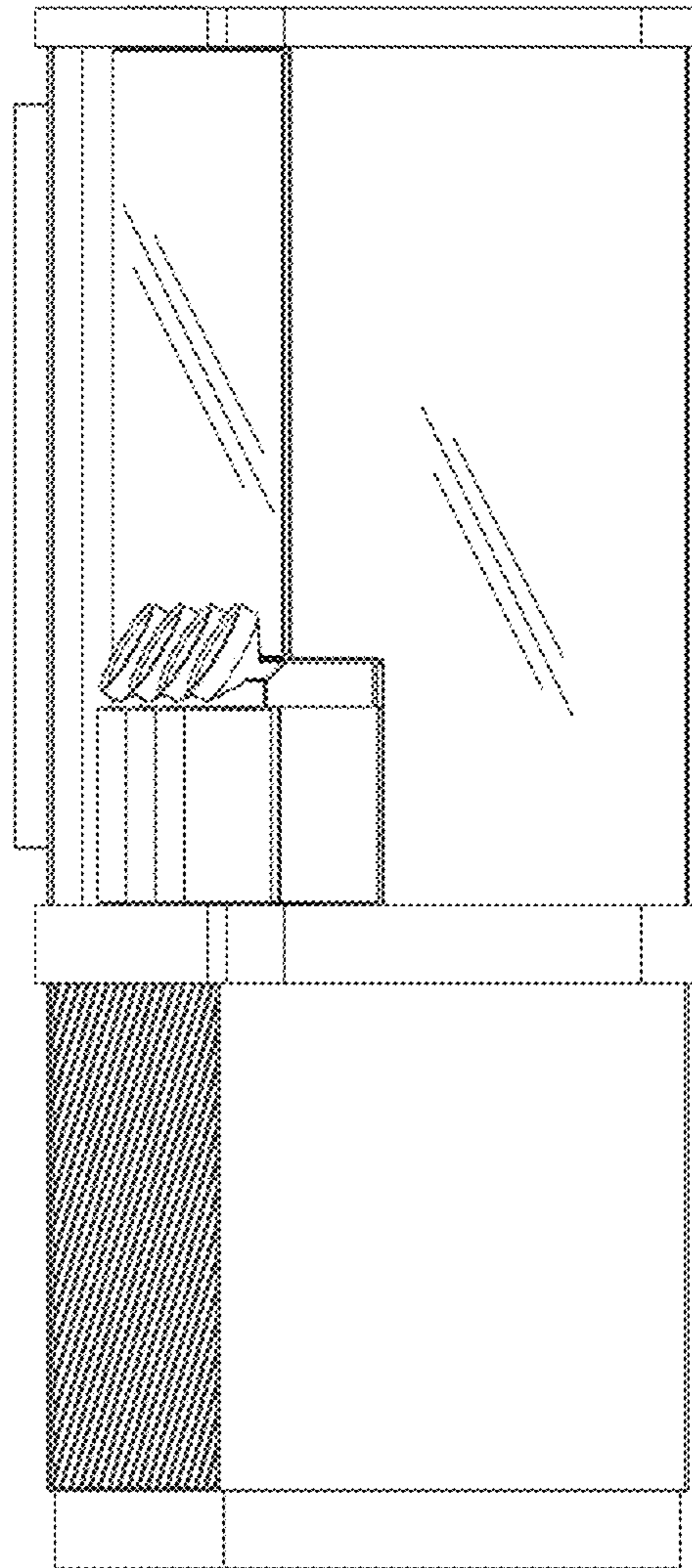


FIG. 5

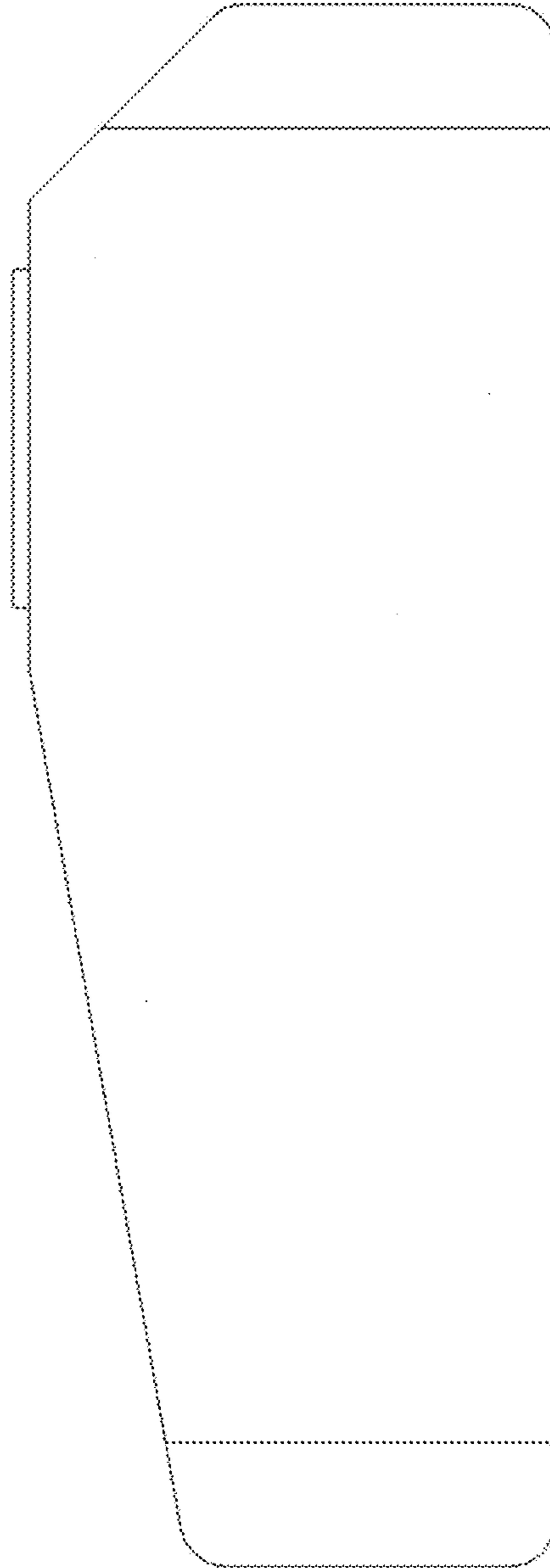


FIG. 6