



US00D940125S

(12) **United States Design Patent**
Peters et al.

(10) **Patent No.:** **US D940,125 S**
(45) **Date of Patent:** **** Jan. 4, 2022**

(54) **VIBRATION DAMPENING MOUNT**

- (71) Applicant: **ANNEX PRODUCTS PTY. LTD.**,
Prahran (AU)
- (72) Inventors: **Christopher L. Peters**, Glen Iris (AU);
Leigh M. Ryan, Sandringham (AU)
- (73) Assignee: **ANNEX PRODUCTS PTY. LTD.**,
South Yarra (AU)
- (**) Term: **15 Years**
- (21) Appl. No.: **29/737,107**
- (22) Filed: **Jun. 5, 2020**
- (51) **LOC (13) Cl.** **14-03**
- (52) **U.S. Cl.**
USPC **D14/253**; D12/415
- (58) **Field of Classification Search**
USPC D15/1-6, 141, 148, 149; D12/415-420,
D12/400, 172, 188, 191, 195, 106, 220,
D12/345, 96, 99, 223, 114, 115;
D14/251-253
CPC B60R 7/06; B60R 11/02; B60R 2011/005;
B60R 2011/0012; B60R 2011/0008
See application file for complete search history.

(56) **References Cited**

U.S. PATENT DOCUMENTS

9,243,739	B2 *	1/2016	Peters	F16M 13/00
D852,188	S *	6/2019	He	D14/253
D852,681	S *	7/2019	Peters	D12/114
D858,510	S *	9/2019	Saculles	D14/253
D859,286	S *	9/2019	He	D12/415
D860,114	S *	9/2019	He	D12/415
D861,669	S *	10/2019	Bongard	D14/253
D862,454	S *	10/2019	Chun	D14/253
D863,205	S *	10/2019	Lin	D12/415
D864,092	S *	10/2019	Zhang	D12/415

(Continued)

FOREIGN PATENT DOCUMENTS

CN	207496955	U	6/2018
WO	WO 2015/149263		10/2015

OTHER PUBLICATIONS

Annabelle Lahey, "Bicycle Bike Anti-vibration Camera Mount 15mm-31mm Diameter Tube Fixed Bracket For GoPro Hero Xiaoyi 4k Sport Camera Outdoors Sport DJI," retrieved from internet at: <https://annabellelahey.blogspot.com/2019/01/bicycle-bike-anti-vibration-camera.html>, (Jan. 13, 2019).

(Continued)

Primary Examiner — Michael C Stout
Assistant Examiner — Fritzgerald L Butac
(74) *Attorney, Agent, or Firm* — Barnes & Thornburg LLP

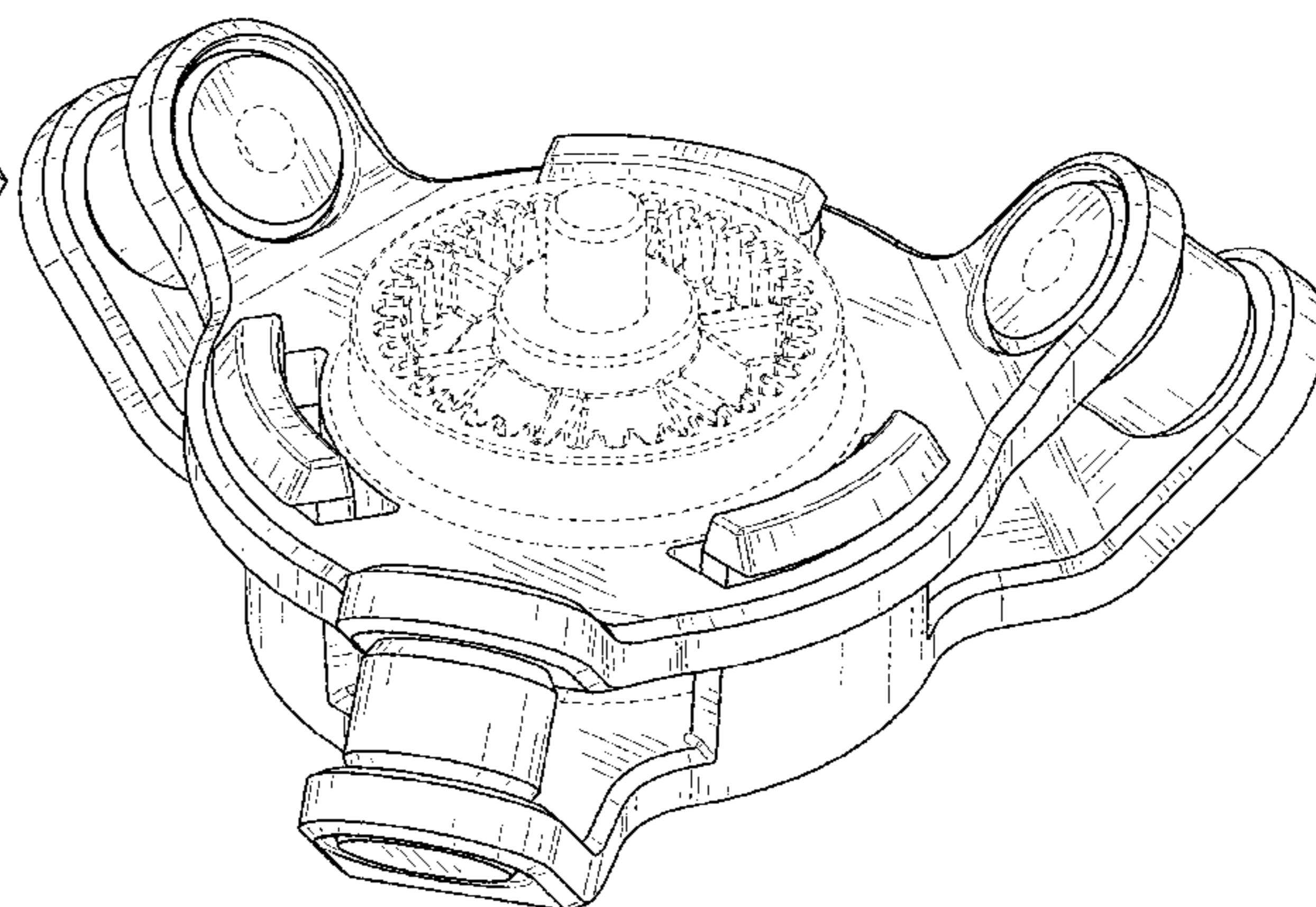
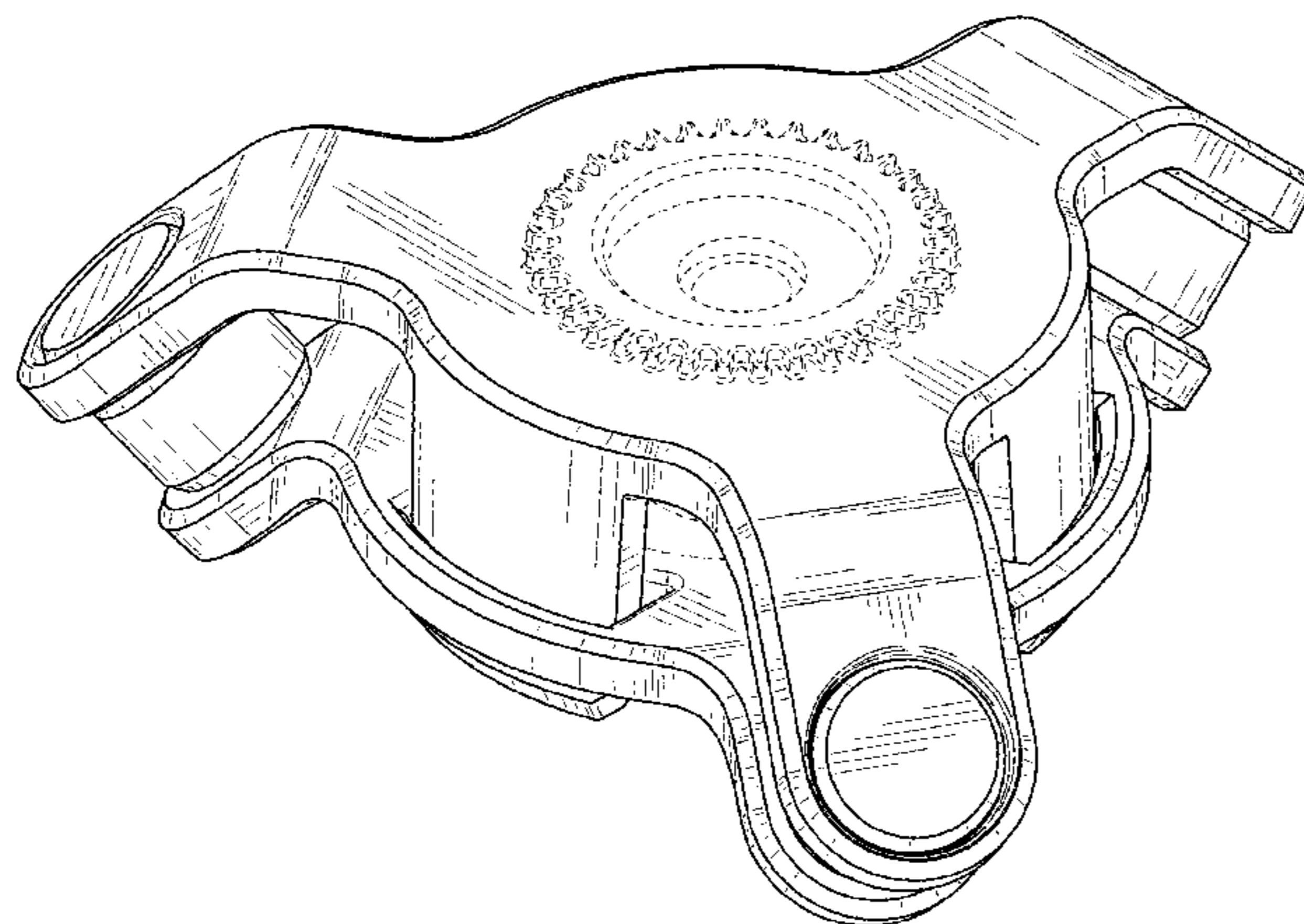
(57) **CLAIM**

We claim the ornamental design for a vibration dampening mount, as shown and described.

DESCRIPTION

FIG. 1 is an upper perspective view of a vibration dampening mount in accordance with our new design;
 FIG. 2 is a lower perspective view of the vibration dampening mount of FIG. 1;
 FIG. 3 is a top plan view of the vibration dampening mount of FIG. 1;
 FIG. 4 is a bottom plan view of the vibration dampening mount of FIG. 1;
 FIG. 5 is a right-side elevation view of the vibration dampening mount of FIG. 1;
 FIG. 6 is a left-side elevation view of the vibration dampening mount of FIG. 1;
 FIG. 7 is a rear elevation view of the vibration dampening mount of FIG. 1; and,
 FIG. 8 is a front elevation view of the vibration dampening mount of FIG. 1.
 The broken lines depict portions of the vibration dampening mount that form no part of the claimed design.

1 Claim, 6 Drawing Sheets



(56)

References Cited

U.S. PATENT DOCUMENTS

D865,750 S * 11/2019 Richter D14/253
D865,751 S * 11/2019 Richter D14/253
D870,094 S * 12/2019 Ma D14/253
D870,718 S * 12/2019 Peters D14/253
D872,727 S * 1/2020 Chung D14/253
D873,260 S * 1/2020 Dang D14/253
D873,812 S * 1/2020 Peters D14/253
D873,813 S * 1/2020 Zhong D14/253
D874,385 S * 2/2020 Jang D12/415
D876,316 S * 2/2020 Peters D12/415
D877,138 S * 3/2020 McSweyn D14/253
D877,688 S * 3/2020 Liu D12/415
D879,090 S * 3/2020 Chung D14/253
D889,383 S * 7/2020 Wang D12/415
2012/0199620 A1 8/2012 Gold et al.
2012/0293930 A1 11/2012 Schanz et al.
2019/0366940 A1* 12/2019 Peters F16M 11/08
2019/0369664 A1* 12/2019 Peters B60R 11/02

OTHER PUBLICATIONS

Search Report & Written Opinion issued in Appl. No. PCT/AUS2021/
050551 (2021).

* cited by examiner

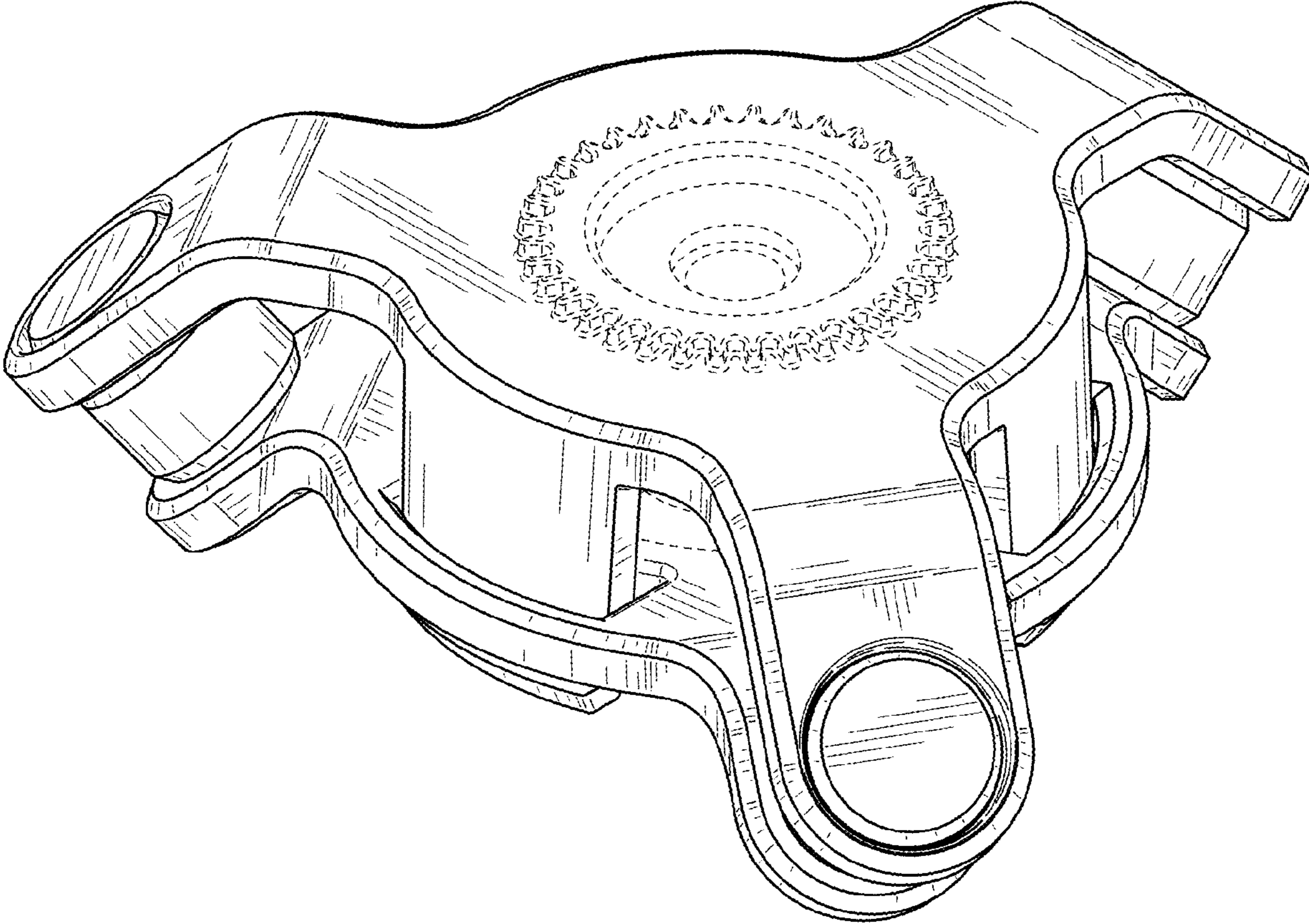


FIG. 1

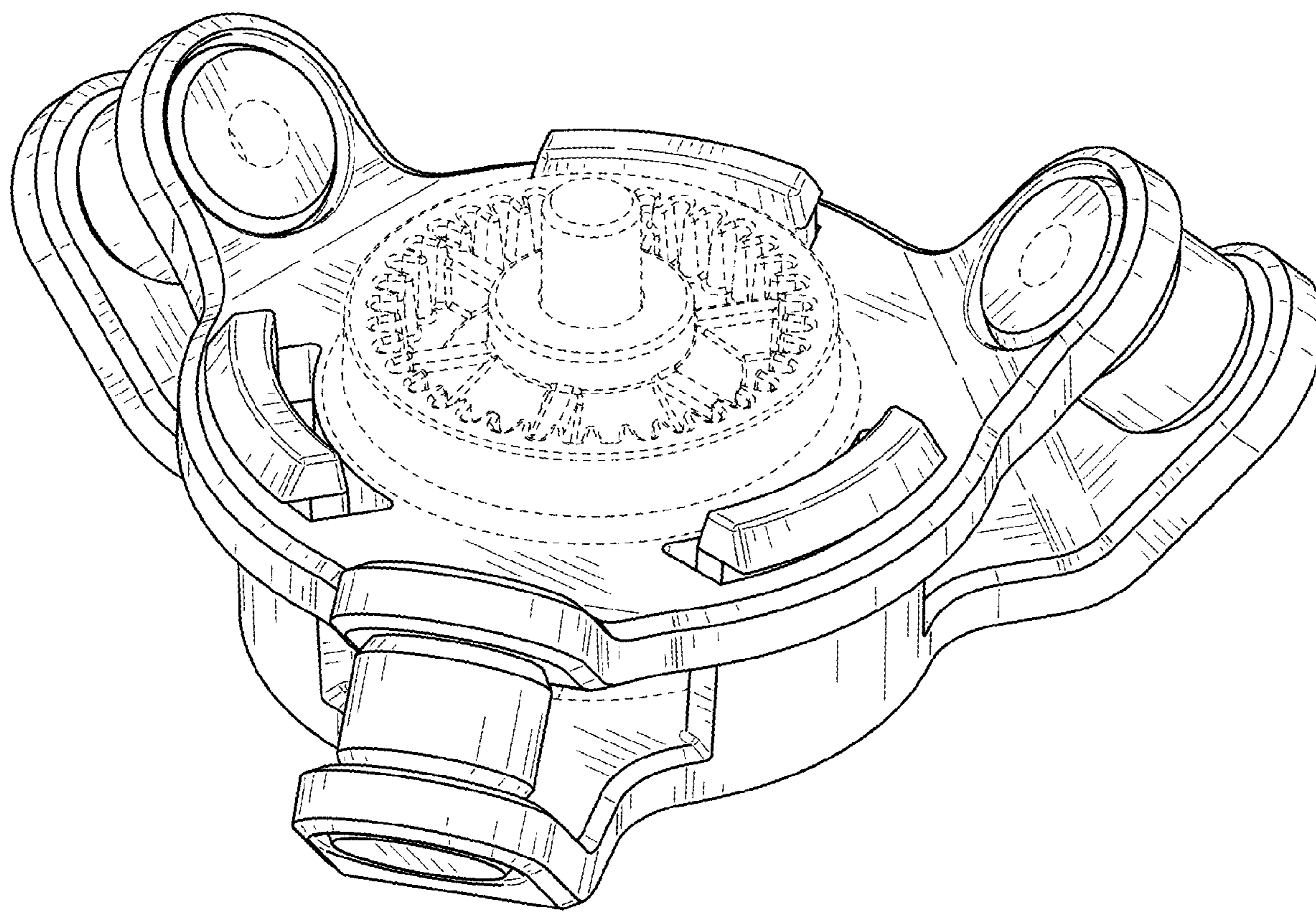


FIG. 2

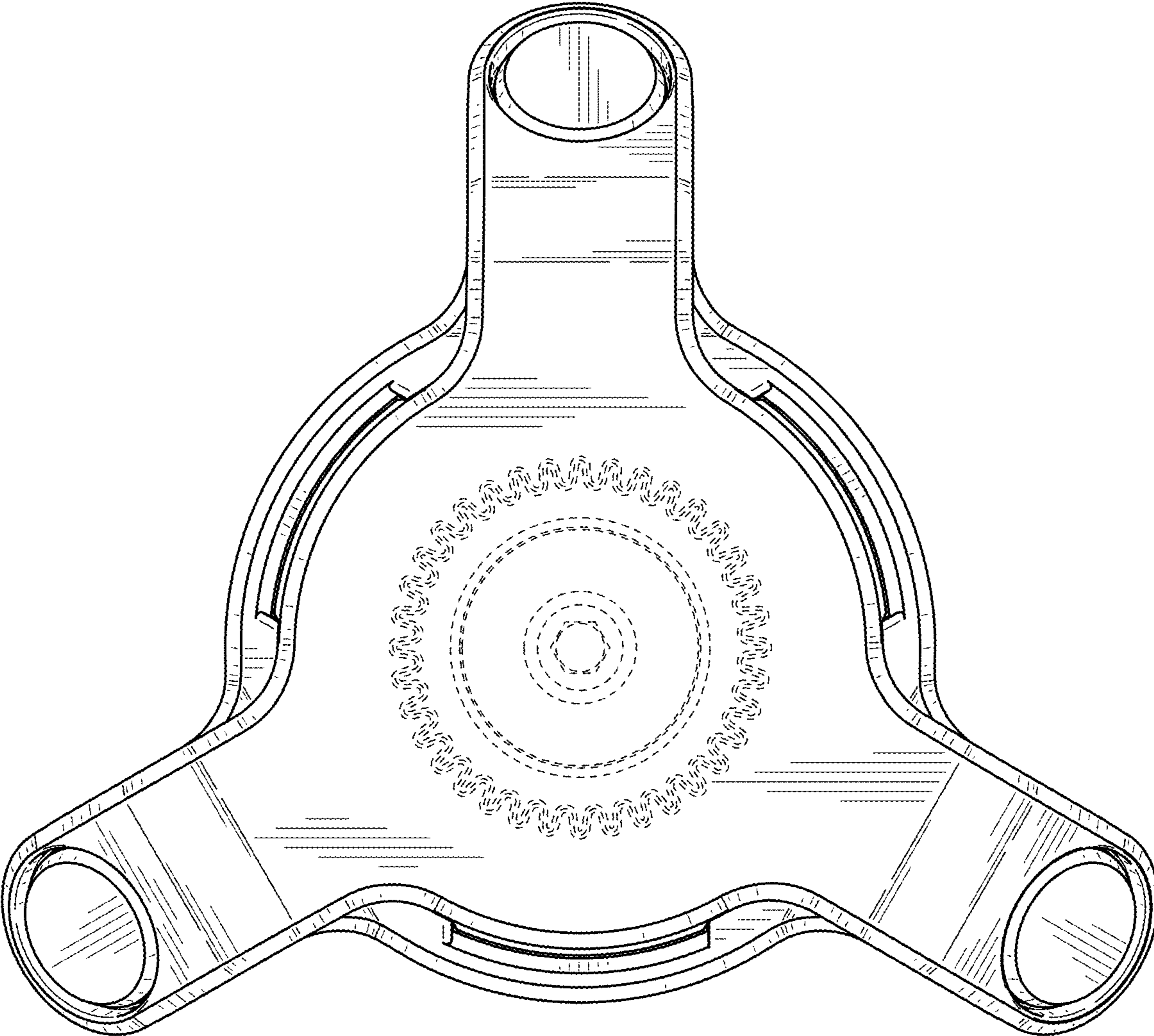


FIG. 3

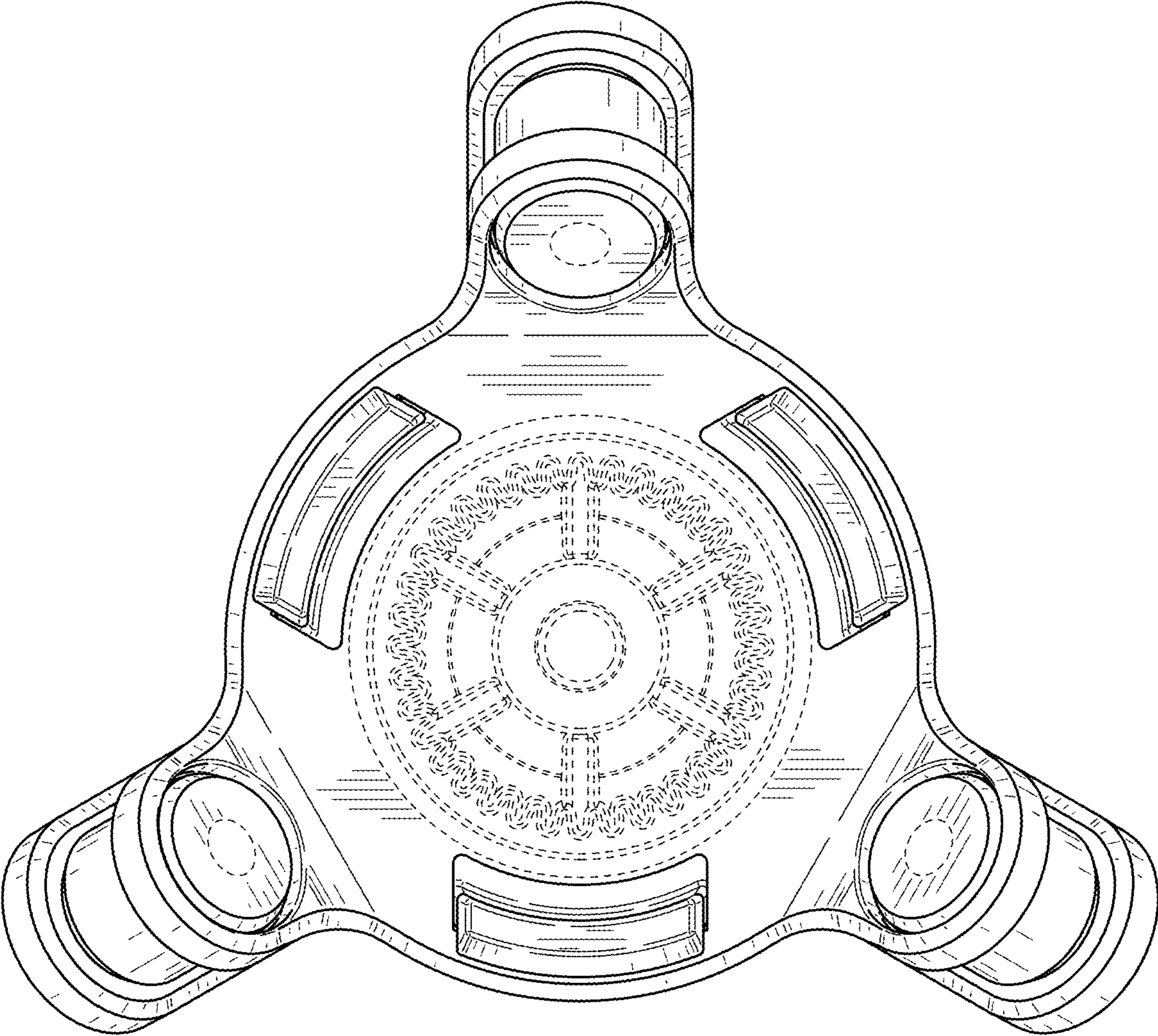


FIG. 4

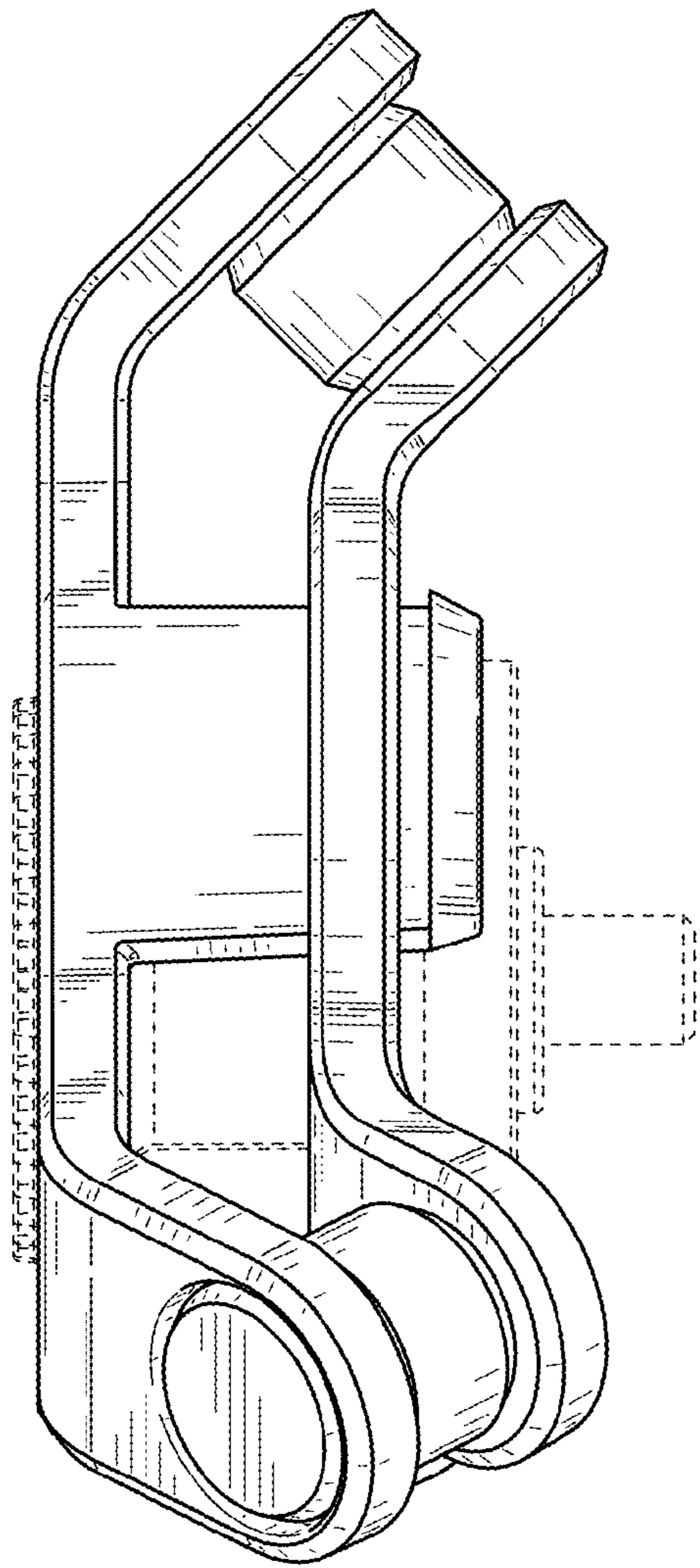


FIG. 5

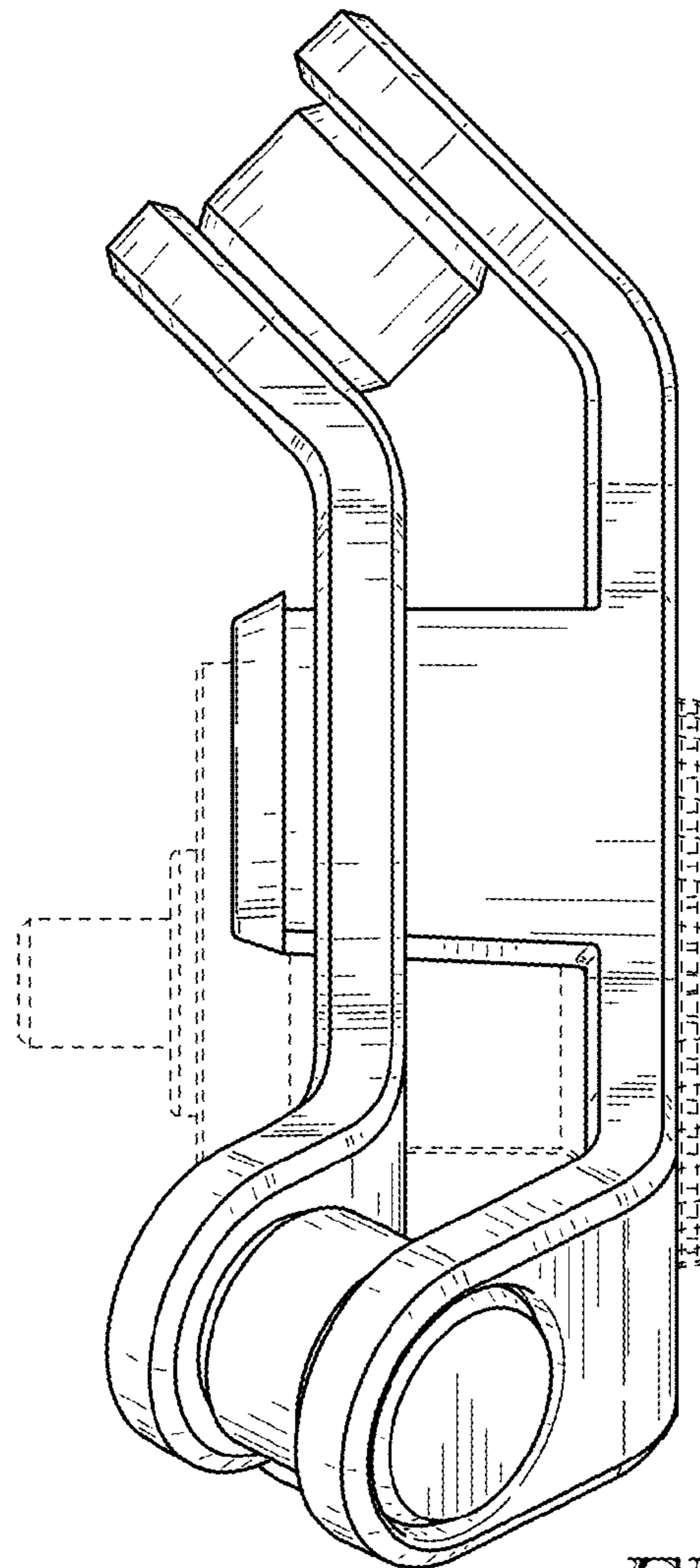


FIG. 6

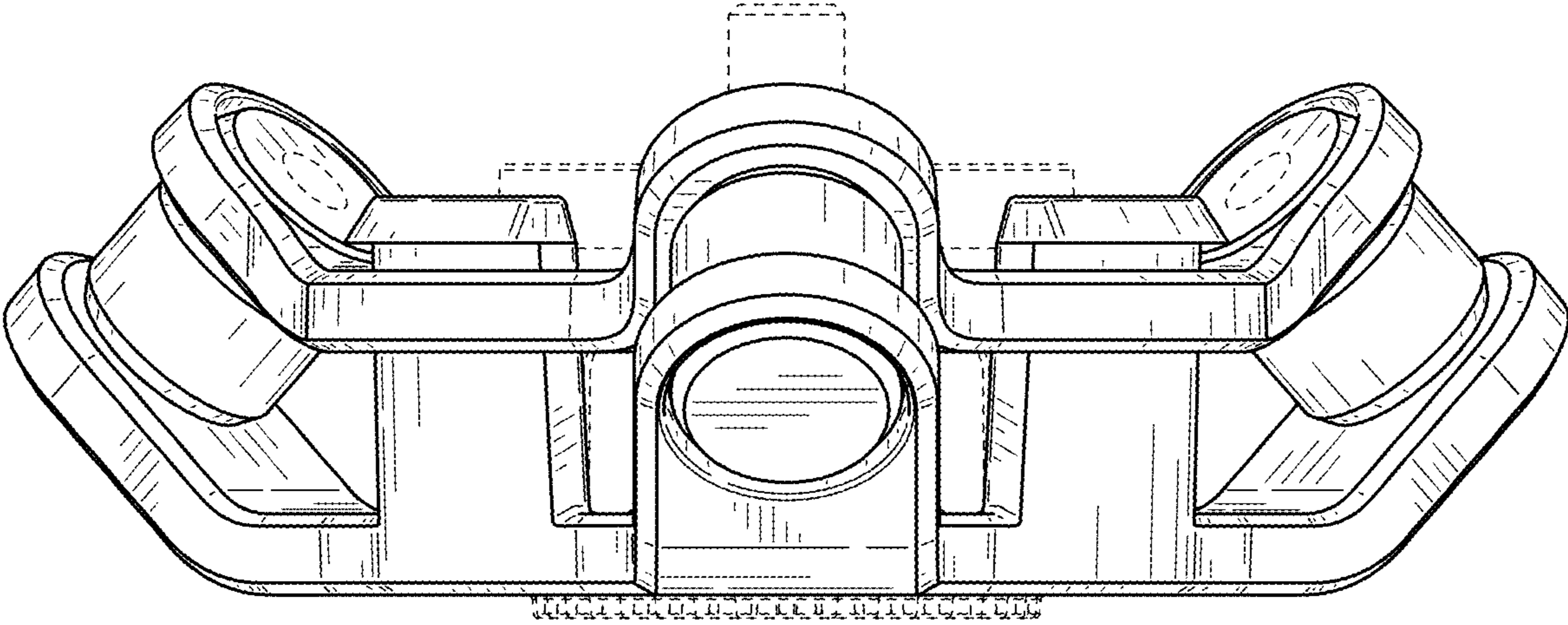


FIG. 7

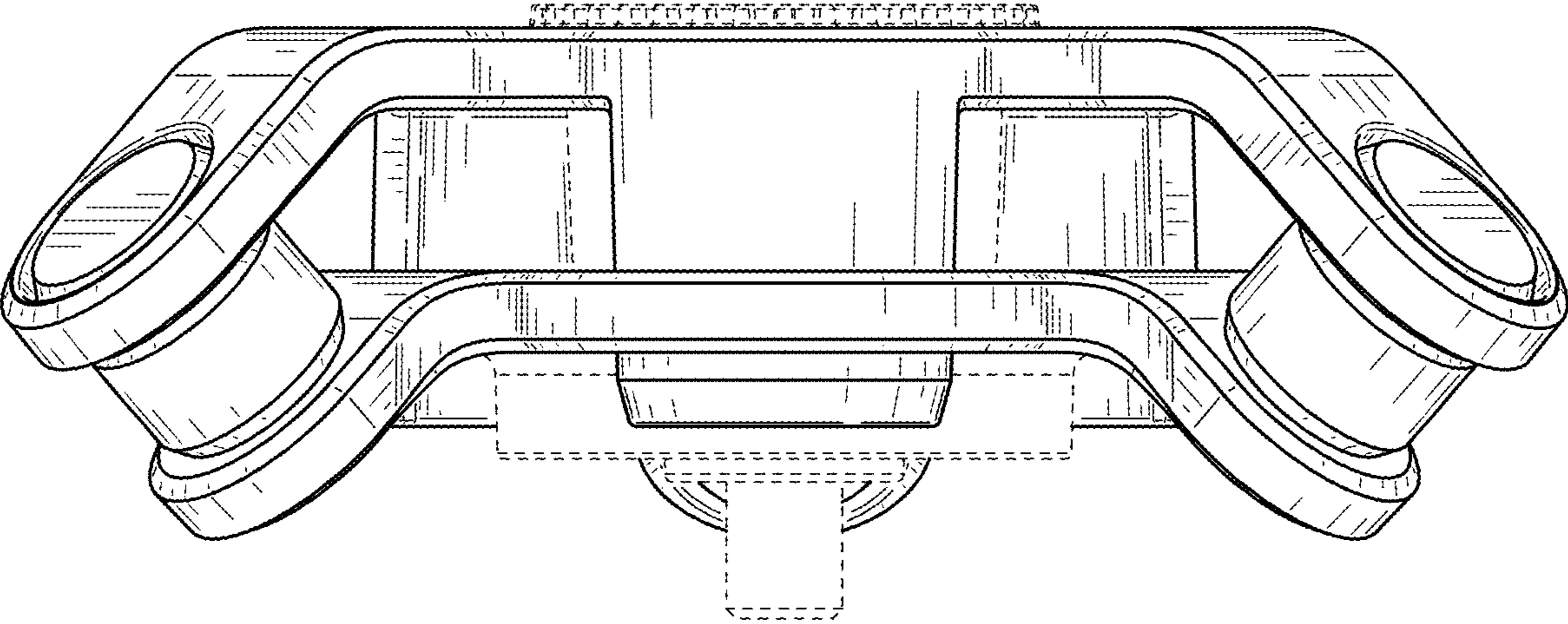


FIG. 8