

US00D940124S

(12) **United States Design Patent** (10) **Patent No.:** **US D940,124 S**
Bae et al. (45) **Date of Patent:** **** Jan. 4, 2022**

(54) **ELECTRONIC DEVICE CRADLE FOR IRONING BOARD**

13/022; F16M 11/00; F16M 11/04; F16M 11/041; F16M 11/06

See application file for complete search history.

(71) Applicant: **LG ELECTRONICS INC.**, Seoul (KR)

(56) **References Cited**

U.S. PATENT DOCUMENTS

(72) Inventors: **Jaeil Bae**, Seoul (KR); **Kyutae Park**, Seoul (KR); **Kyungah Lee**, Seoul (KR); **Hoil Jeon**, Seoul (KR); **Youngsoo Ha**, Seoul (KR)

D547,714 S * 7/2007 Hsiung D12/415
D670,284 S * 11/2012 Choi D14/253
D671,110 S * 11/2012 Choi D14/253

(Continued)

OTHER PUBLICATIONS

(73) Assignee: **LG ELECTRONICS INC.**, Seoul (KR)

Laura Star Mobile Telephone Holder . . . [online]. Original publication date unknown. [Retrieved from the Internet Jun. 26, 2021.] < URL: <https://www.laurastar.com/mobile-telephone-holder/722-0001-898.html> >.*

(**) Term: **15 Years**

(Continued)

(21) Appl. No.: **29/724,703**

Primary Examiner — Rebekah A Caruso

(22) Filed: **Feb. 18, 2020**

(74) *Attorney, Agent, or Firm* — Birch, Stewart, Kolasch & Birch, LLP

(30) **Foreign Application Priority Data**

Aug. 19, 2019 (KR) 30-2019-0039543

(57) **CLAIM**

(51) **LOC (13) Cl.** **14-99**

We claim the ornamental design for an electronic device cradle for ironing board, as shown and described.

(52) **U.S. Cl.**

USPC **D14/253**

DESCRIPTION

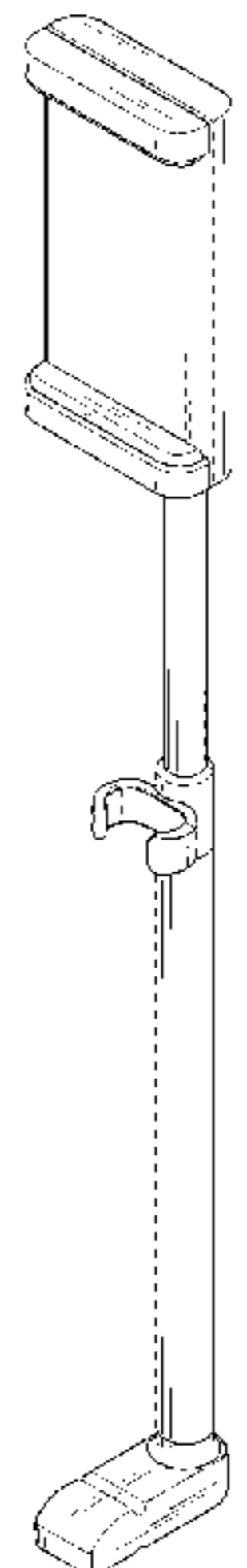
(58) **Field of Classification Search**

USPC D14/251–253, 224, 224.1, 432–434, 447, D14/451, 452; D12/415, 426.1, 114, 223; D16/242, 244, 245; D10/74; D3/218; D13/108

CPC B60R 11/00; B60R 11/02; B60R 11/0241; B60R 11/0252; B60R 2011/0003; B60R 2011/0005; B60R 2011/0008; H04M 1/04; H04B 1/3877; A45F 2200/0516; A45F 2200/0525; H05K 5/02; H05K 5/0204; H05K 7/00; F16M 13/02; F16M

FIG. 1 is a perspective view of an electronic device cradle for ironing board showing the new design; FIG. 2 is a front elevation view thereof; FIG. 3 is a rear elevation view thereof; FIG. 4 is a left-side elevation view thereof; FIG. 5 is a right-side elevation view thereof; FIG. 6 is a top plan view thereof; FIG. 7 is a bottom plan view thereof; and, FIG. 8 is a perspective view showing a state of use thereof. The broken lines shown in FIG. 3 depict portions of the electronic device cradle for ironing board that form no part

(Continued)



of the claimed design. The broken lines shown in FIG. 8 illustrate environmental condition only and form no part of the claimed design.

1 Claim, 8 Drawing Sheets

(56) **References Cited**

U.S. PATENT DOCUMENTS

D671,545 S *	11/2012	Guran	D14/447
D714,775 S *	10/2014	Yoo	D14/253
D724,072 S *	3/2015	Jiang	D14/253
D782,461 S *	3/2017	Pinto	D14/253
D789,375 S *	6/2017	Dalton	D14/447
D798,872 S *	10/2017	Gonen	D14/447
D845,958 S *	4/2019	Dalton	D14/447
D912,346 S *	3/2021	Lee	D32/31
D915,359 S *	4/2021	Zhang	D14/224
D934,851 S *	11/2021	Kaiser	D14/253
2021/0140579 A1 *	5/2021	Arrizon	F16M 11/40

OTHER PUBLICATIONS

ZTON Universal Cell Phone Holder . . . [online]. Date first available Dec. 20, 2018. [Retrieved from the Internet Jun. 26, 2021.] < URL: <https://www.amazon.com/Universal-ZTON-Bracket-Flexible-Desktop/dp/B0791BWSMR> >.*

* cited by examiner

FIG. 1

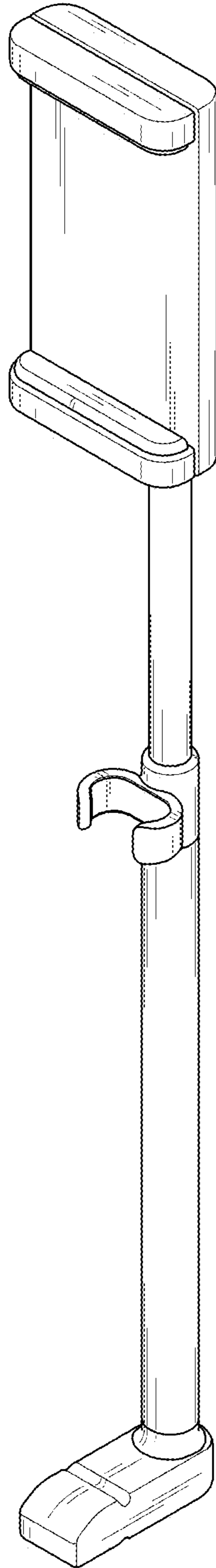


FIG. 2

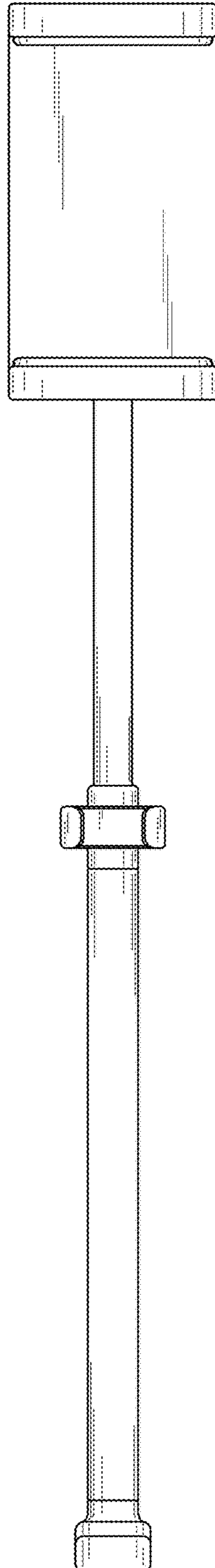


FIG. 3

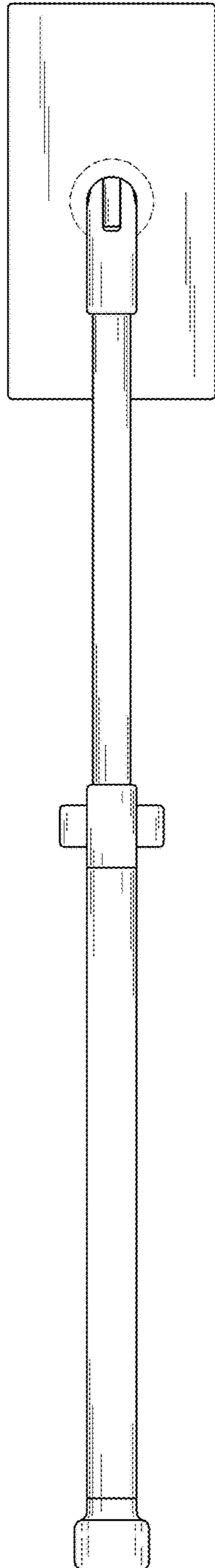


FIG. 4

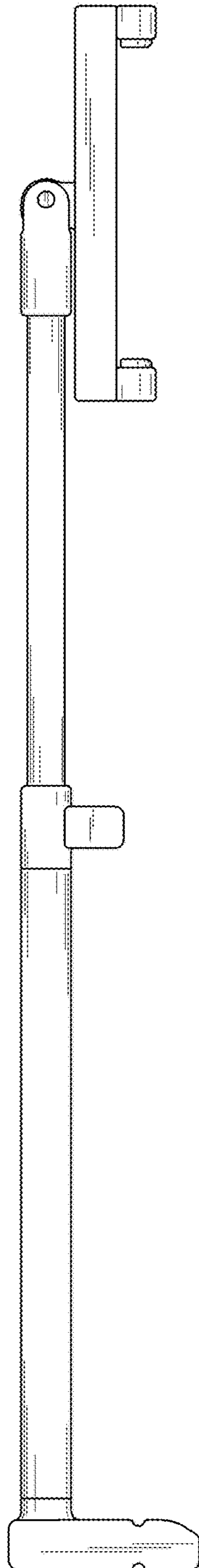


FIG. 5

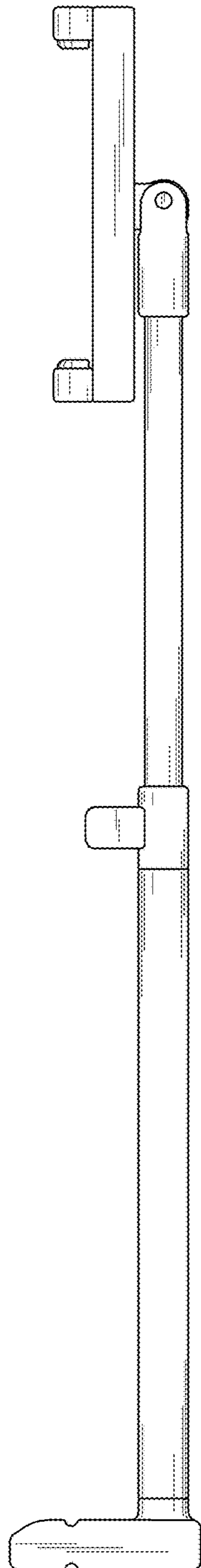


FIG. 6

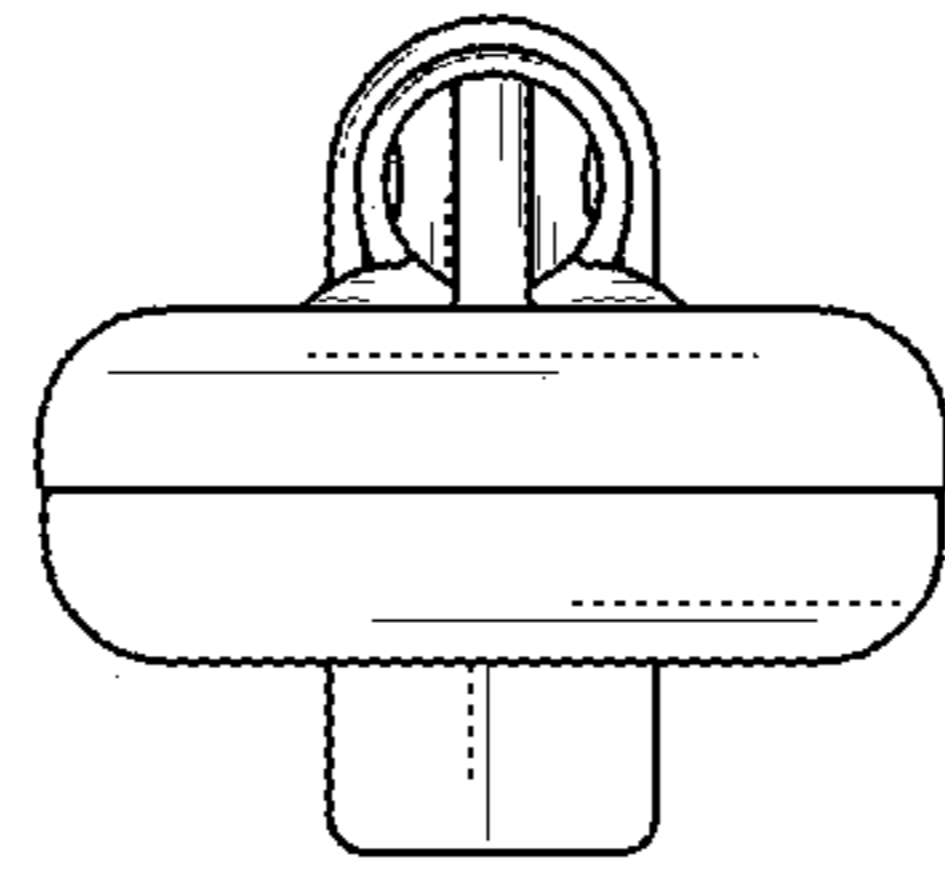


FIG. 7

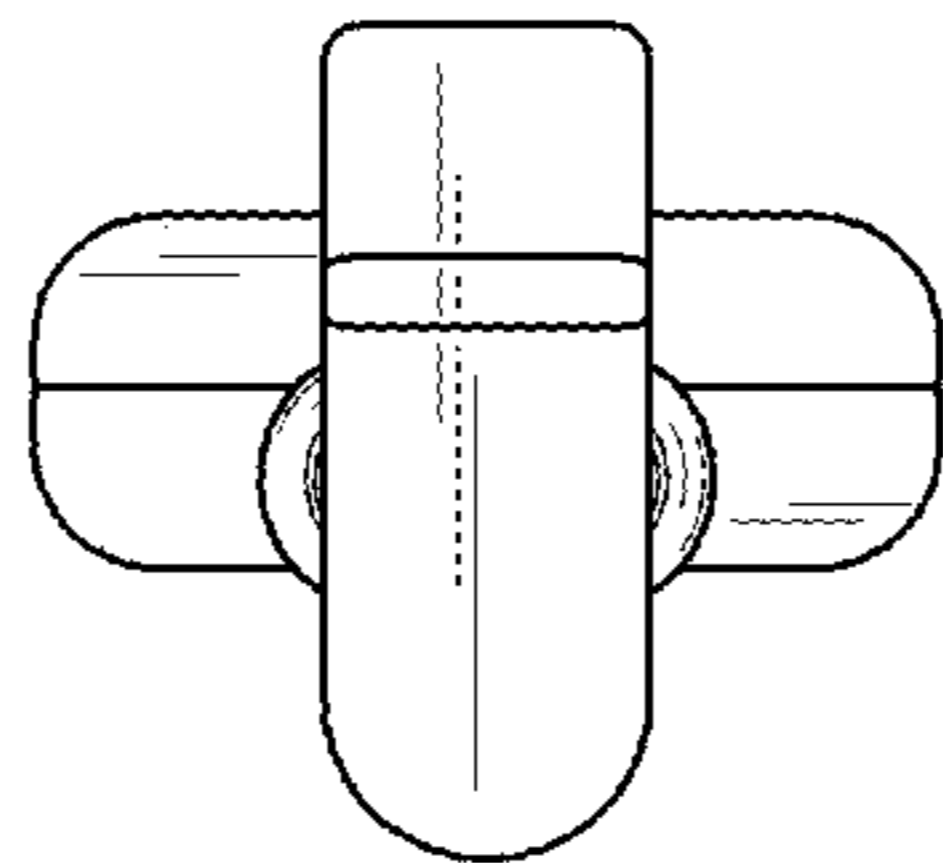


FIG. 8

