



US00D940115S

(12) **United States Design Patent**  
**Loidl**

(10) **Patent No.:** **US D940,115 S**  
(45) **Date of Patent:** **\*\* Jan. 4, 2022**

- (54) **ABSORBER FOR A LOUDSPEAKER**
- (71) Applicant: **VIABLUE GMBH**, Malsch (DE)
- (72) Inventor: **Joerg Loidl**, Malsch (DE)
- (73) Assignee: **VIABLUE, GMBH**, Malsch (DE)
- (\*\*) Term: **15 Years**
- (21) Appl. No.: **29/699,362**
- (22) Filed: **Jul. 24, 2019**

- 2,641,376 A \* 6/1953 Parziale ..... B65D 47/243  
141/352
- 3,222,753 A \* 12/1965 Heppner ..... H04R 9/02  
29/594
- 3,310,639 A \* 3/1967 Collins ..... H04R 9/025  
381/420
- 3,354,541 A \* 11/1967 Gosma ..... H04R 9/02  
29/607
- 3,369,817 A \* 2/1968 Bandy ..... F16J 15/106  
277/637
- 3,592,491 A \* 7/1971 Glover ..... F16L 47/08  
285/230
- D225,970 S \* 1/1973 O'Donnell ..... D8/387
- D248,458 S \* 7/1978 Gatof ..... D11/88
- D256,046 S \* 7/1980 Perrin ..... D23/269

(Continued)

**Related U.S. Application Data**

- (62) Division of application No. 35/504,997, filed on Mar. 26, 2018 (U.S. filing date under 35 U.S.C. 384), and having an international filing date of Mar. 26, 2018, now Pat. No. Des. 864,170.
- (51) **LOC (13) Cl.** ..... **14-01**
- (52) **U.S. Cl.**  
USPC ..... **D14/224**; D14/217
- (58) **Field of Classification Search**  
USPC ... D14/224, 217, 172, 204, 209.1, 194, 221;  
D2/962, 963, 966, 968; D11/164;  
D8/360, 384, 385, 387, 378, 349, 388,  
D8/391, 393, 399, 397, 394, 382;  
D10/130, 131; D9/540, 454; D7/392.1;  
D26/89; D23/261, 549, 260; 248/508,  
248/504, 156; 381/386, 389, 86;  
181/141  
CPC ..... H04R 1/00; H04R 1/02; H04R 1/1026;  
H04R 1/16; H04R 24/00  
See application file for complete search history.

(56) **References Cited**

**U.S. PATENT DOCUMENTS**

- D15,490 S \* 10/1884 Mundy ..... D30/150
- 1,431,162 A \* 10/1922 Keplinger ..... E05B 37/00  
70/306

**OTHER PUBLICATIONS**

DM/101076—Parent application as published under Hague Agreement Concerning the International Deposit of Industrial Designs—published May 25, 2018.

*Primary Examiner* — Paula Allen Greene

(74) *Attorney, Agent, or Firm* — Schlee IP International, PC; Alexander R. Schlee; Pascal A. Schlee

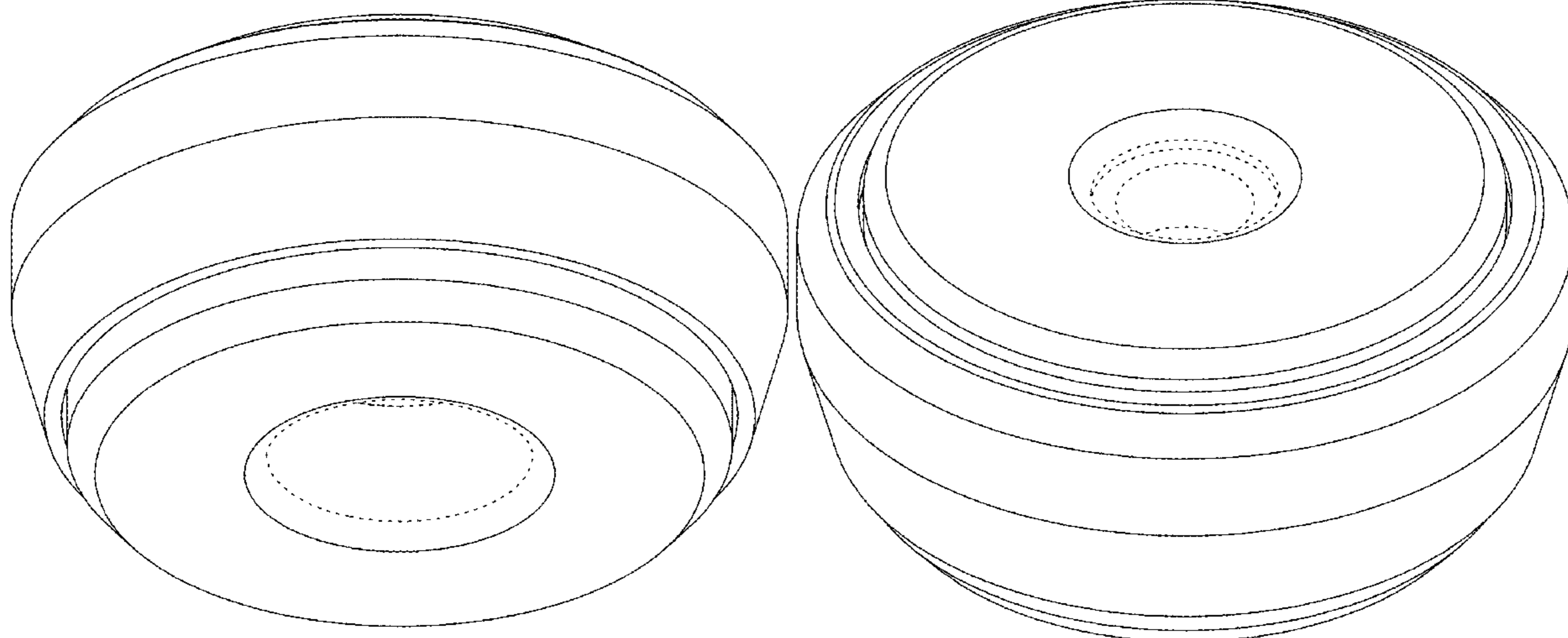
(57) **CLAIM**

The ornamental design for an absorber for a loudspeaker, as shown and described.

**DESCRIPTION**

FIG. 1 is a side view of an absorber for a loudspeaker showing the new design, the front, back, right and left side views being identical;  
 FIG. 2 is a bottom perspective view thereof;  
 FIG. 3 is a top view thereof;  
 FIG. 4 is a top perspective view thereof; and,  
 FIG. 5 is a bottom view thereof.  
 The portion of the absorber for a loudspeaker as shown in dashed lines forms no part of the claimed design.

**1 Claim, 5 Drawing Sheets**



(56)

References Cited

U.S. PATENT DOCUMENTS

4,293,741 A \* 10/1981 Digre ..... H04R 9/025  
 335/231  
 D266,420 S \* 10/1982 Warner ..... D14/222  
 D267,644 S \* 1/1983 Warner ..... D14/222  
 D281,758 S \* 12/1985 Trombly ..... D7/391  
 D288,262 S \* 2/1987 Yokoishi ..... D2/962  
 D293,883 S \* 1/1988 Hirohata ..... D8/382  
 D299,084 S \* 12/1988 Tanel ..... D2/962  
 4,802,638 A \* 2/1989 Burger ..... B65H 75/143  
 242/388.1  
 D313,340 S \* 1/1991 Stathis ..... D8/356  
 D347,885 S \* 6/1994 Gustafsson ..... D23/269  
 D350,409 S \* 9/1994 Johnson ..... D26/84  
 D350,837 S \* 9/1994 Kirby ..... D28/82  
 D370,629 S \* 6/1996 Lynch ..... D9/439  
 D379,493 S \* 5/1997 Woods ..... D23/269  
 D387,354 S \* 12/1997 Ueng ..... D14/222  
 D392,985 S \* 3/1998 Williams ..... D15/140  
 5,832,544 A \* 11/1998 Pan ..... E03C 1/2306  
 4/293  
 D405,945 S \* 2/1999 Kan ..... D2/962  
 5,992,787 A \* 11/1999 Burke ..... H02G 11/02  
 206/409  
 D431,114 S \* 9/2000 Smith ..... D21/710  
 D438,195 S \* 2/2001 Chao ..... D14/222  
 D439,397 S \* 3/2001 Shieh ..... D2/962  
 D442,609 S \* 5/2001 Quantz ..... D15/123  
 D450,430 S \* 11/2001 Yu ..... D2/962  
 D450,432 S \* 11/2001 Savoie ..... D2/962  
 D453,262 S \* 2/2002 Merigan ..... D2/962  
 D459,094 S \* 6/2002 Stone ..... D6/309  
 D462,257 S \* 9/2002 Alexander ..... D8/391  
 6,456,722 B1 \* 9/2002 Davey ..... B60R 11/0217  
 381/389  
 D463,654 S \* 10/2002 Cho ..... D2/962  
 D463,902 S \* 10/2002 Yang ..... D2/962  
 D465,643 S \* 11/2002 Cho ..... D2/962  
 D468,084 S \* 1/2003 Lin ..... D2/962  
 D483,252 S \* 12/2003 Williamson ..... D8/387  
 D493,953 S \* 8/2004 Chang ..... D2/962  
 D530,525 S \* 10/2006 Greene, II ..... D6/309  
 D549,091 S \* 8/2007 McIntyre ..... D8/399  
 D557,888 S \* 12/2007 Yu ..... D2/962  
 D569,596 S \* 5/2008 Terashima ..... D2/962  
 D581,777 S \* 12/2008 Huang ..... D8/397  
 D584,979 S \* 1/2009 Pirhonen ..... D12/608  
 D591,144 S \* 4/2009 Hennessey ..... D8/387  
 D599,894 S \* 9/2009 Price ..... D23/262  
 D619,449 S \* 7/2010 Smith ..... D8/382  
 D631,142 S \* 1/2011 Angell ..... D23/262  
 D631,730 S \* 2/2011 Skillman ..... B65H 75/143  
 D8/356  
 D633,644 S \* 3/2011 Sprengers ..... D26/89

D653,237 S \* 1/2012 Davies ..... D14/211  
 D658,479 S \* 5/2012 Eason ..... D8/349  
 D658,640 S \* 5/2012 Ivaskevicius ..... D14/242  
 D671,528 S \* 11/2012 Fathollahi ..... D14/216  
 D674,780 S \* 1/2013 Davies ..... D14/215  
 D700,682 S \* 3/2014 Bayyouk ..... D23/233  
 D717,405 S \* 11/2014 Coronado ..... D23/259  
 D720,208 S \* 12/2014 Jordan ..... D8/397  
 D724,060 S \* 3/2015 Ahn ..... D14/218  
 D731,300 S \* 6/2015 Vargas ..... D8/397  
 D733,262 S \* 6/2015 Kang ..... D23/261  
 D737,127 S \* 8/2015 Yeh ..... D8/382  
 D738,265 S \* 9/2015 McNeeley ..... D12/118  
 D744,068 S \* 11/2015 Turner ..... D23/260  
 D745,916 S \* 12/2015 Oh ..... D16/219  
 D749,750 S \* 2/2016 Cline ..... D25/113  
 D755,751 S \* 5/2016 Valeur ..... D14/204  
 D756,222 S \* 5/2016 Lopez ..... D9/454  
 D768,468 S \* 10/2016 Maloney ..... D8/382  
 D772,876 S \* 11/2016 Akana ..... D14/411  
 D777,021 S \* 1/2017 Dew ..... D8/394  
 D777,565 S \* 1/2017 Yeh ..... D8/382  
 D781,544 S \* 3/2017 Livingston ..... D2/962  
 D785,538 S \* 5/2017 Jordan ..... D12/213  
 D786,129 S \* 5/2017 Chan ..... D11/164  
 D788,574 S \* 6/2017 Baiz ..... D8/387  
 D789,780 S \* 6/2017 Kim ..... D8/397  
 D792,074 S \* 7/2017 Livingston ..... D2/962  
 D792,075 S \* 7/2017 Livingston ..... D2/962  
 D792,077 S \* 7/2017 Denet ..... D2/966  
 D792,206 S \* 7/2017 Baiz ..... D8/397  
 D793,854 S \* 8/2017 Baiz ..... D8/397  
 D795,053 S \* 8/2017 Baiz ..... D8/397  
 D799,938 S \* 10/2017 Lowitz ..... D8/354  
 D800,697 S \* 10/2017 Fischer ..... D14/214  
 D801,167 S \* 10/2017 Baiz ..... D8/397  
 D803,115 S \* 11/2017 Baiz ..... D12/179  
 D807,328 S \* 1/2018 Garrett ..... D14/216  
 D809,910 S \* 2/2018 Vargas ..... D8/397  
 D821,187 S \* 6/2018 Baiz ..... D8/387  
 D821,723 S \* 7/2018 Livingston ..... D2/962  
 D824,650 S \* 8/2018 Manasra ..... D2/966  
 D826,155 S \* 8/2018 Baiz ..... D13/122  
 D829,656 S \* 10/2018 Baiz ..... D13/122  
 D831,320 S \* 10/2018 Savio ..... D2/962  
 D835,747 S \* 12/2018 Ashley ..... D22/108  
 D864,170 S \* 10/2019 Loidl ..... D14/224  
 D894,343 S \* 8/2020 Hay ..... D23/259  
 D898,653 S \* 10/2020 Wells ..... D12/345  
 D912,783 S \* 3/2021 McCauley ..... D23/260  
 D932,679 S \* 10/2021 Johnson ..... D26/89  
 2005/0047604 A1 \* 3/2005 Wright ..... H04R 1/025  
 381/12  
 2008/0137899 A1 \* 6/2008 Campbell Jr. .... H04R 1/025  
 381/386  
 2017/0303024 A1 \* 10/2017 Sato ..... H04R 1/06

\* cited by examiner

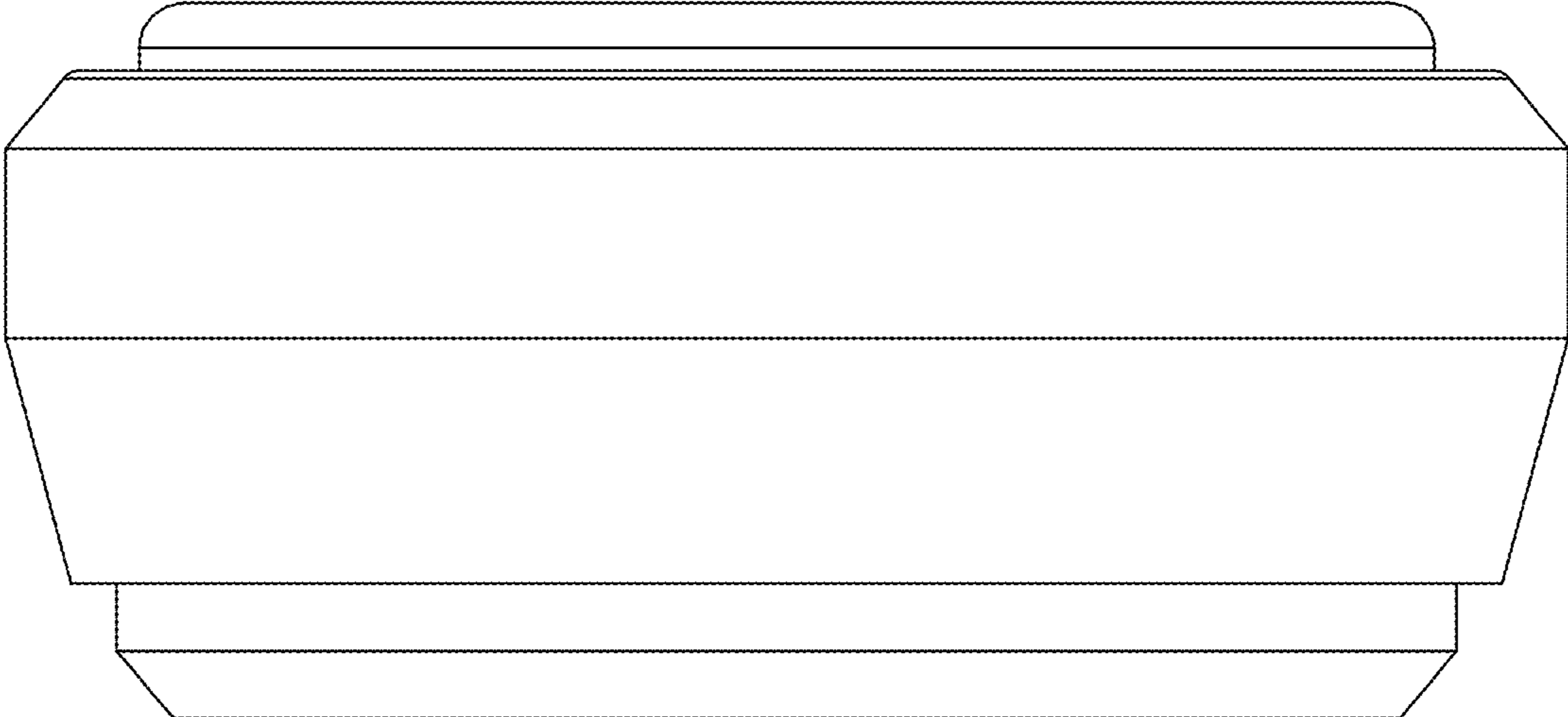


FIG. 1



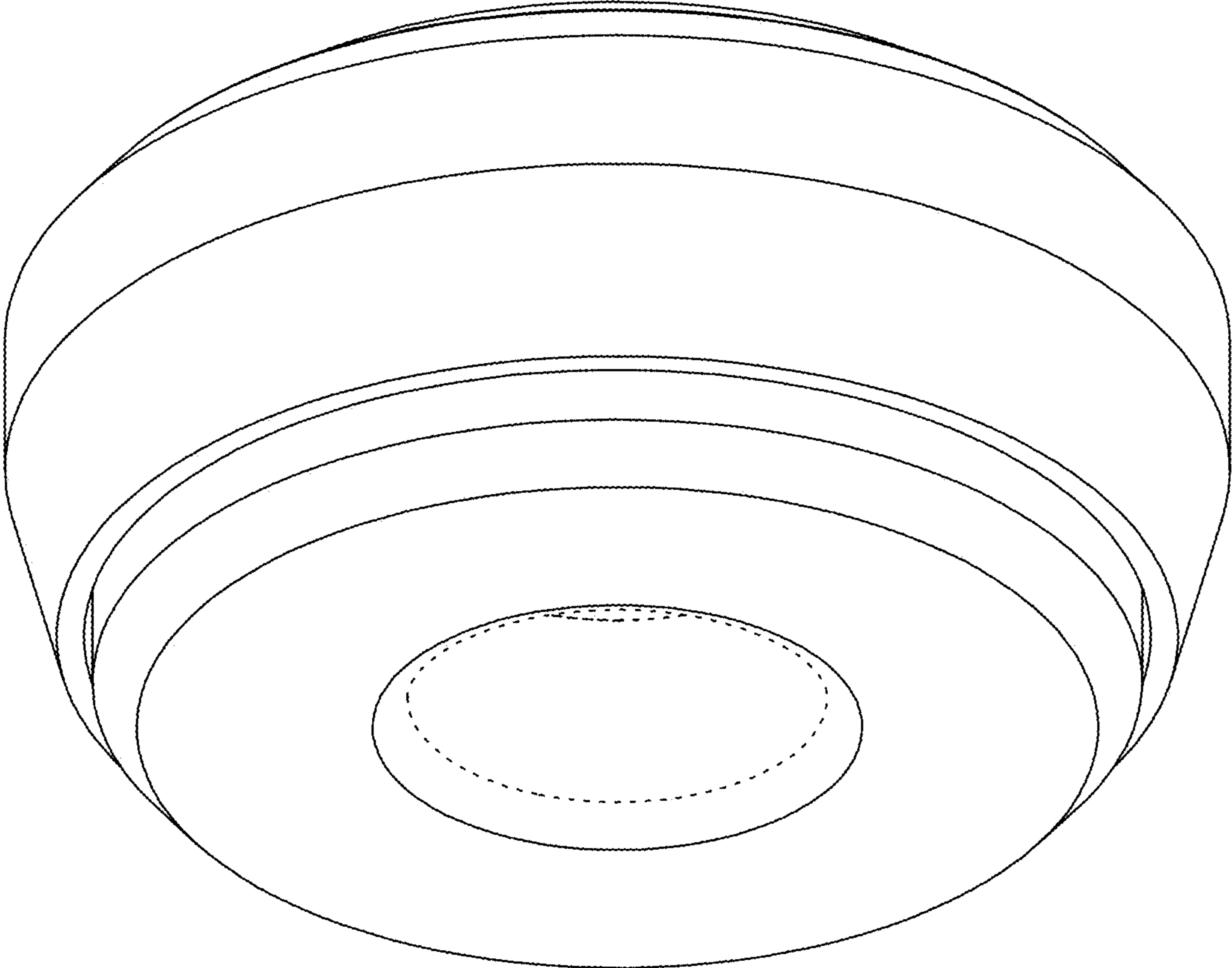


FIG. 2

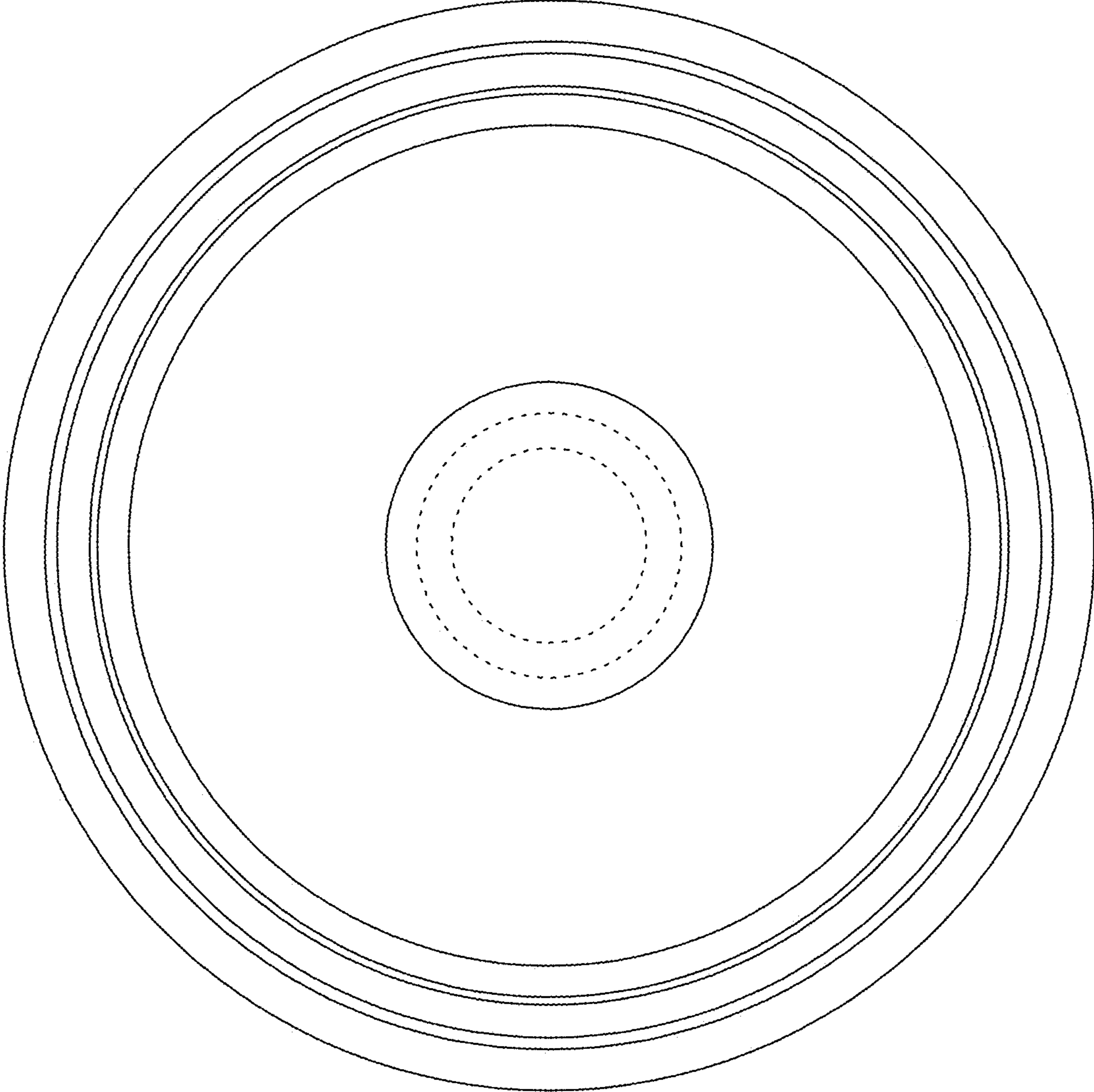


FIG. 3

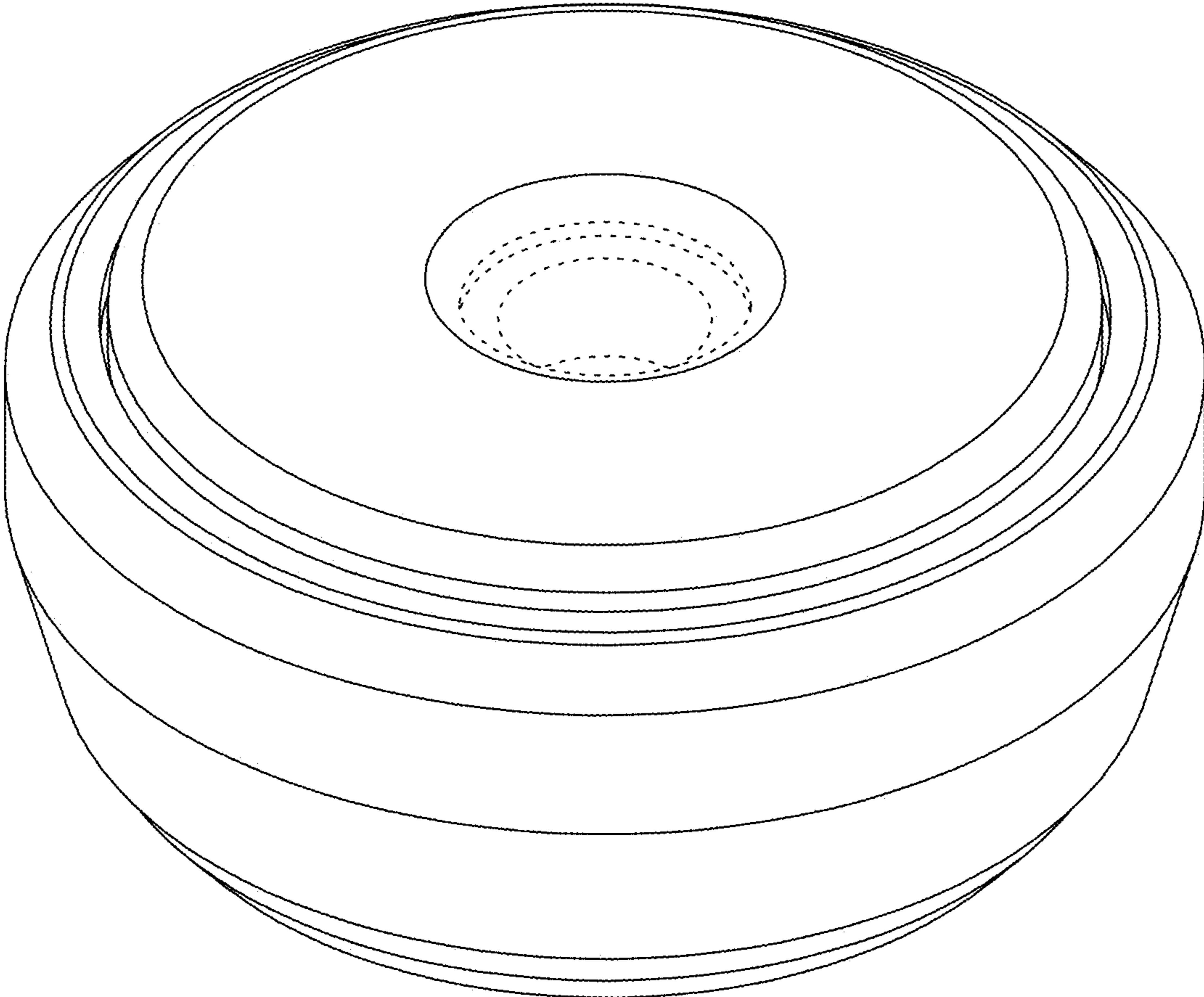


FIG. 4

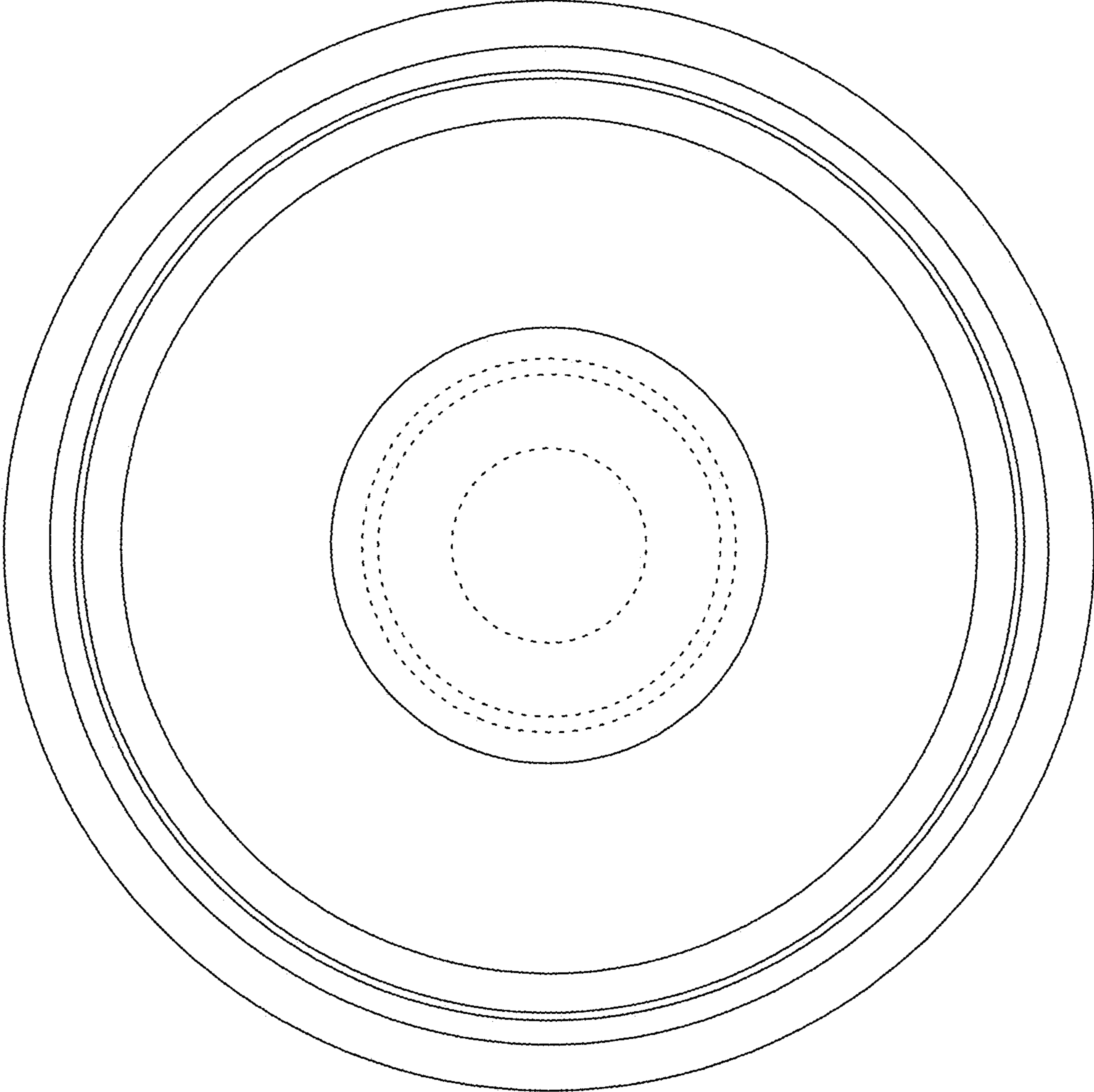


FIG. 5