



US00D940112S

(12) **United States Design Patent**
Yi et al.

(10) **Patent No.:** **US D940,112 S**
(45) **Date of Patent:** **** Jan. 4, 2022**

(54) **WIRELESS EARBUD**
(71) Applicant: **LG Electronics Inc.**, Seoul (KR)
(72) Inventors: **Byunghyun Yi**, Seoul (KR); **Soonhyun Park**, Seoul (KR); **Gayeong Lee**, Seoul (KR); **Gangho Woo**, Seoul (KR)
(73) Assignee: **LG ELECTRONICS INC.**, Seoul (KR)

D852,782 S * 7/2019 Bergman D14/223
D858,489 S * 9/2019 Hu D14/223
D863,263 S * 10/2019 Yu D14/223
D870,695 S * 12/2019 Min D14/205
10,511,901 B2 * 12/2019 Garrett H04R 1/1016
D873,805 S * 1/2020 Yang D14/223
D890,727 S * 7/2020 Park D14/223
D900,064 S * 10/2020 Laffron de Mazieres ... D14/223
D901,456 S * 11/2020 Huang D14/223
D902,185 S * 11/2020 Xian D14/223
10,827,249 B1 * 11/2020 Pine H04R 1/1016
D904,352 S * 12/2020 Park D14/223
D908,667 S * 1/2021 He D14/223

(**) Term: **15 Years**

* cited by examiner

(21) Appl. No.: **35/509,593**

Primary Examiner — Michael A. Pratt

(22) Filed: **Dec. 11, 2019**

(74) *Attorney, Agent, or Firm* — Birch, Stewart, Kolasch & Birch, LLP

(80) **Hague Agreement Data**

Int. Filing Date: **Dec. 11, 2019**
Int. Reg. No.: **DM/205698**
Int. Reg. Date: **Dec. 11, 2019**
Int. Reg. Pub. Date: **Jun. 12, 2020**

(57) **CLAIM**

The ornamental design for a wireless earbud, as shown and described.

(30) **Foreign Application Priority Data**

Jun. 11, 2019 (KR) 30-2019-0027691

(51) **LOC (13) Cl.** **14-01**

(52) **U.S. Cl.**
USPC **D14/223**

(58) **Field of Classification Search**
USPC D14/205–206, 223; D29/112
CPC H04R 1/1066; H04R 1/1016; H04R 25/00;
H04R 1/10; H04R 5/0335; H04R 5/033
See application file for complete search history.

DESCRIPTION

- 1. Wireless earbud
- 1.1 : Perspective
- 1.2 : Front
- 1.3 : Back
- 1.4 : Left
- 1.5 : Right
- 1.6 : Top
- 1.7 : Bottom

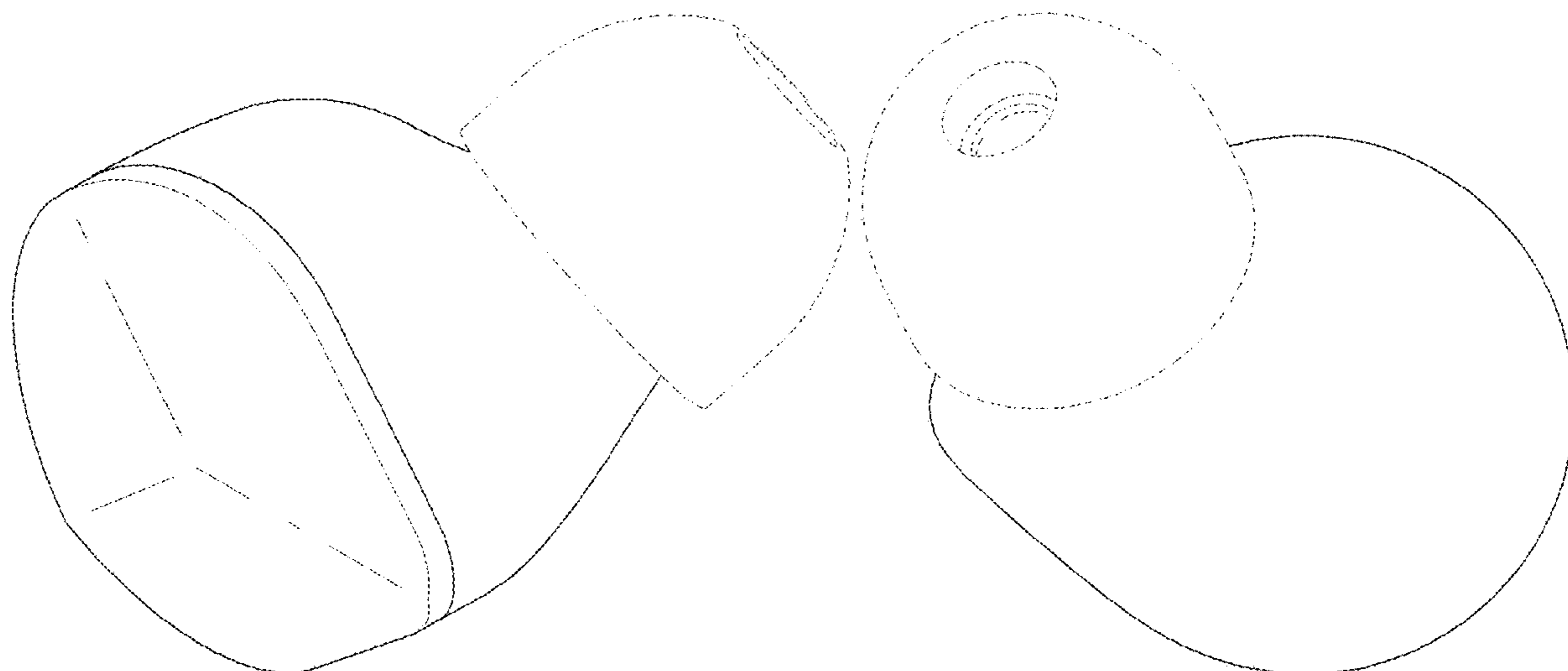
The broken lines depict portions of the wireless earbud that form no part of the claimed design; reproduction 1.1 is a front perspective view of the wireless earbud; reproduction 1.2 is a front view thereof; reproduction 1.3 is a back view thereof; reproduction 1.4 a left side view thereof; reproduction 1.5 is a right side view thereof; reproduction 1.6 is a top view thereof; and reproduction 1.7 is a bottom view thereof. The second embodiment is a left wireless earbud and is a mirror image of the right wireless earbud.

(56) **References Cited**

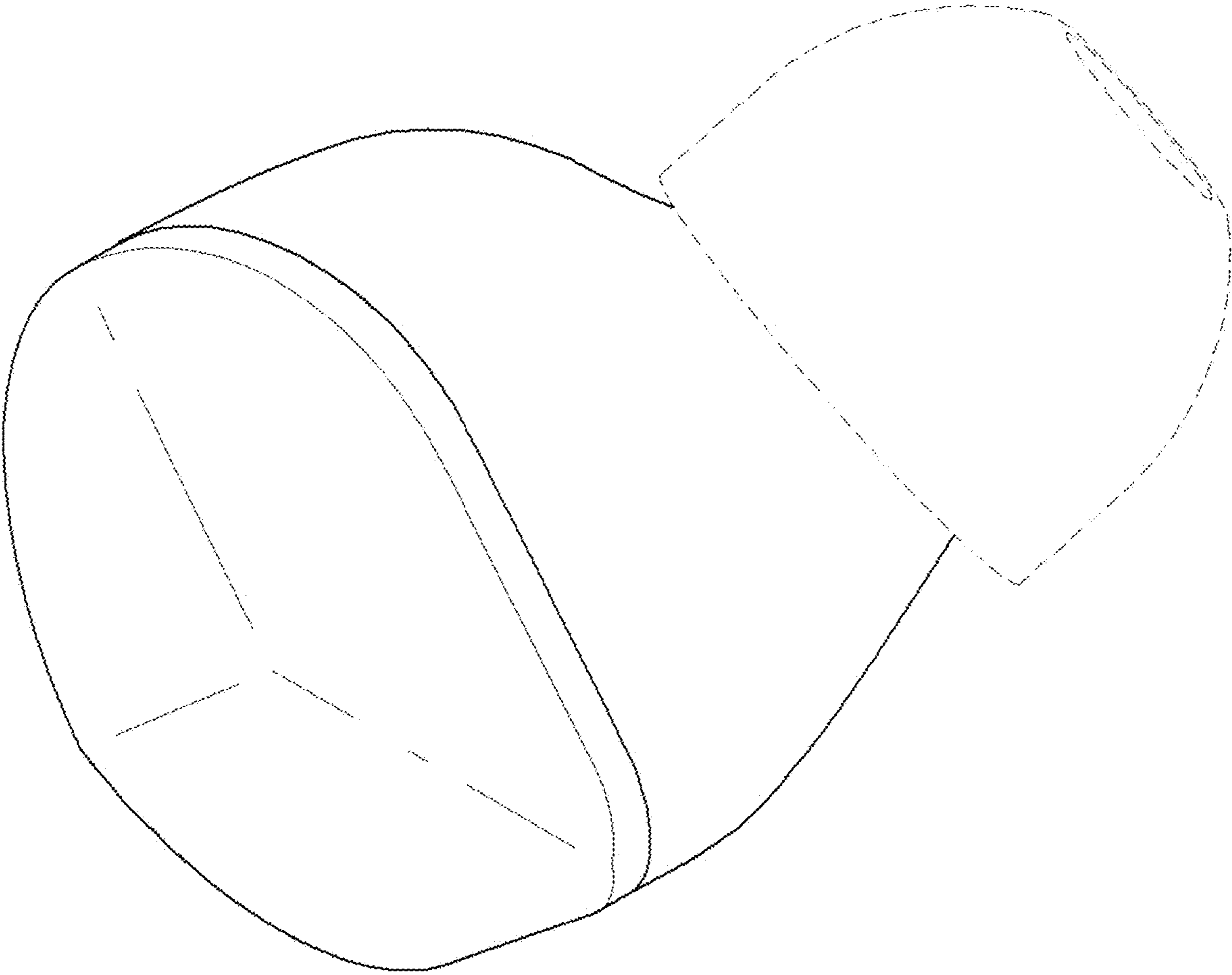
U.S. PATENT DOCUMENTS

D700,905 S * 3/2014 Pavitsich D14/223
D817,309 S * 5/2018 Czaniecki D14/223
D849,720 S * 5/2019 Houle D14/223

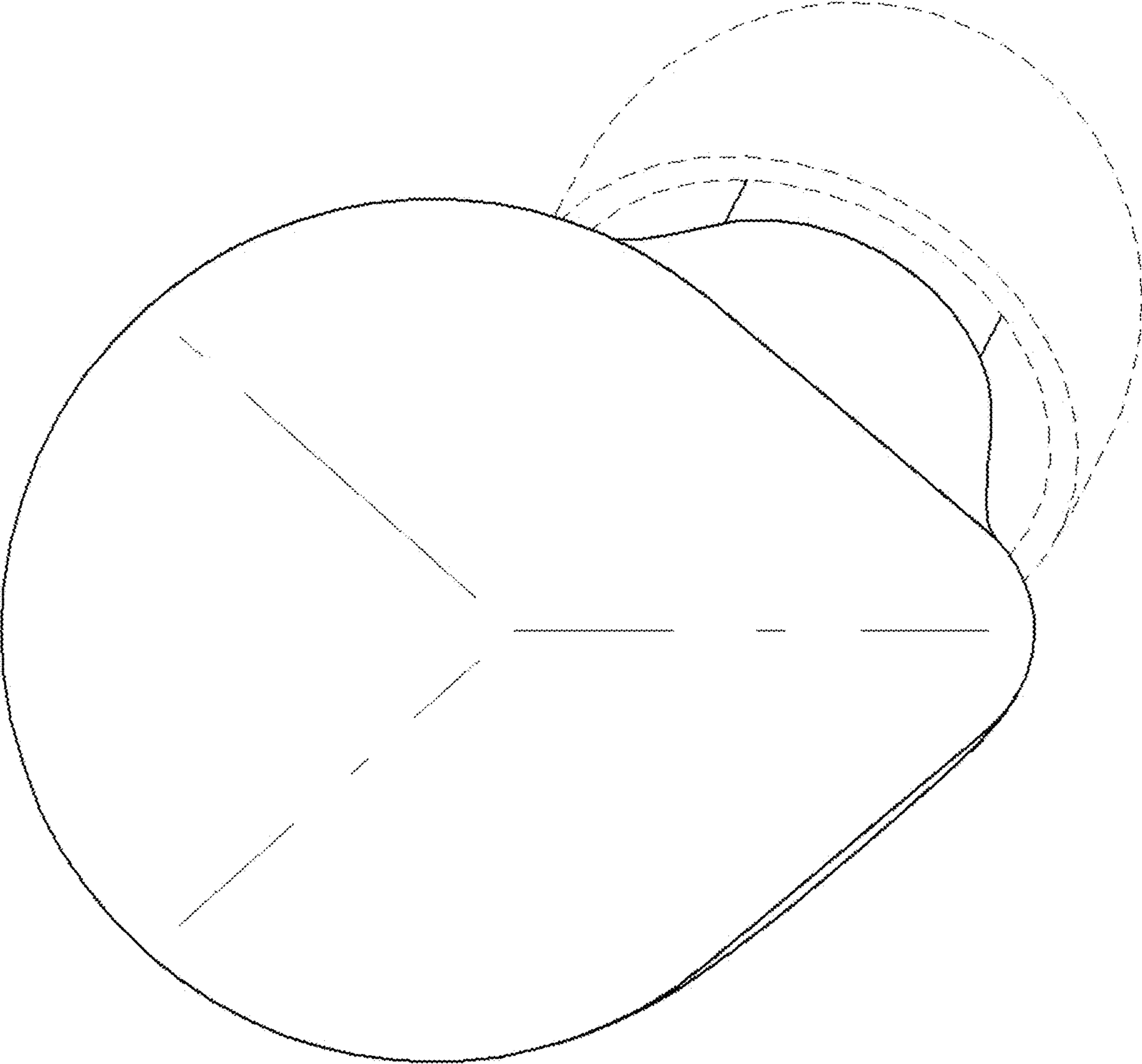
1 Claim, 7 Drawing Sheets



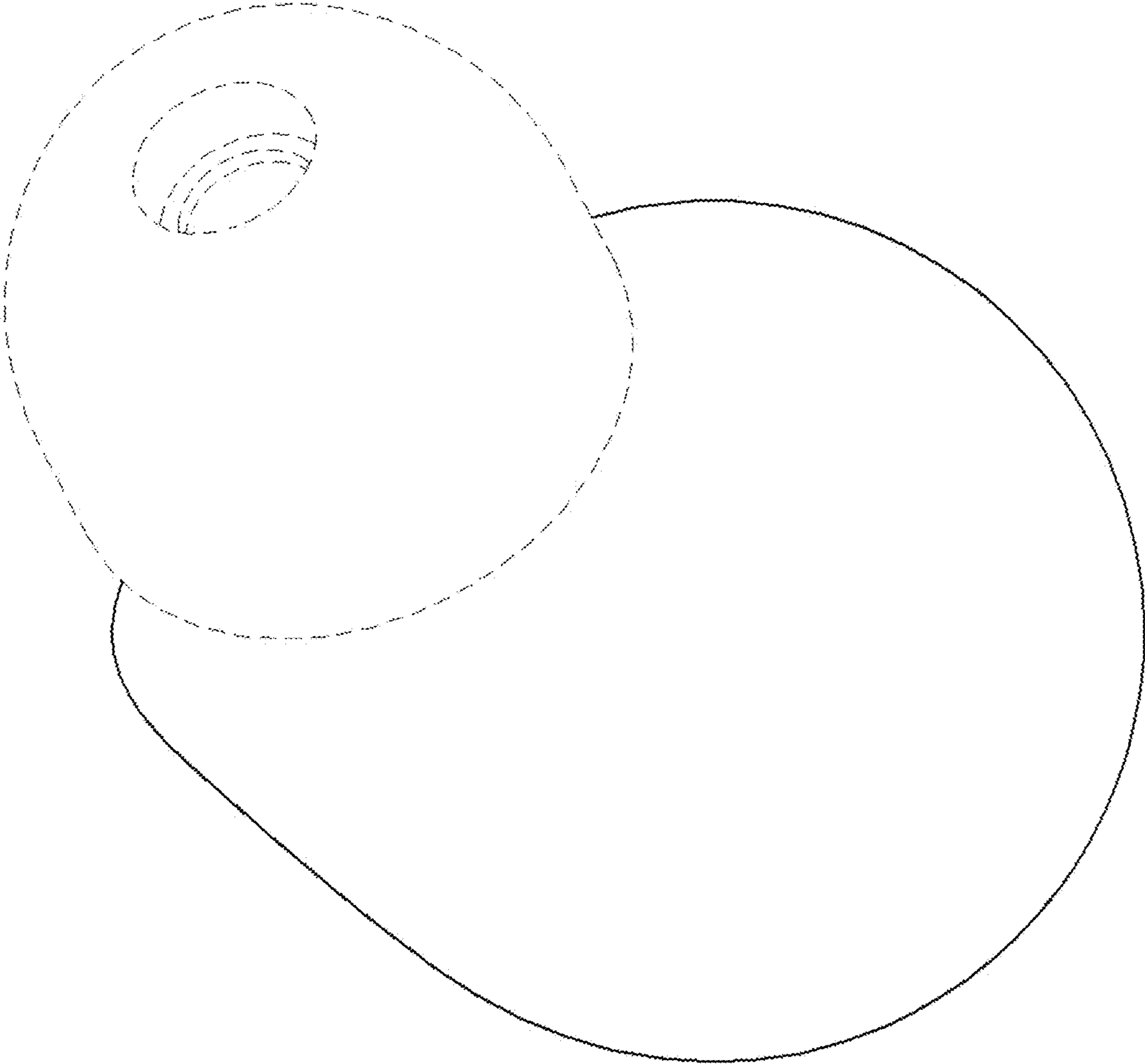
1.1



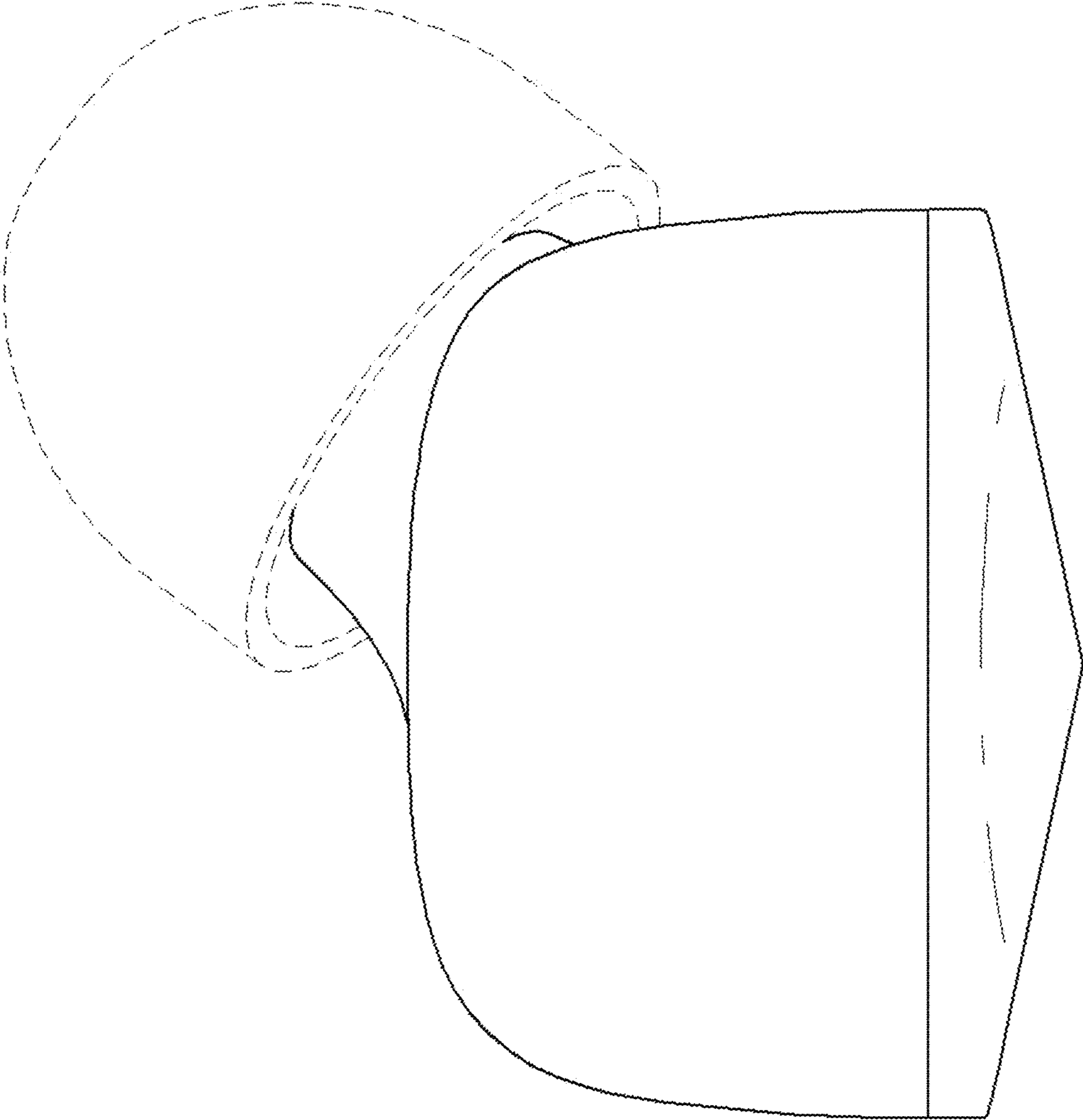
1.2



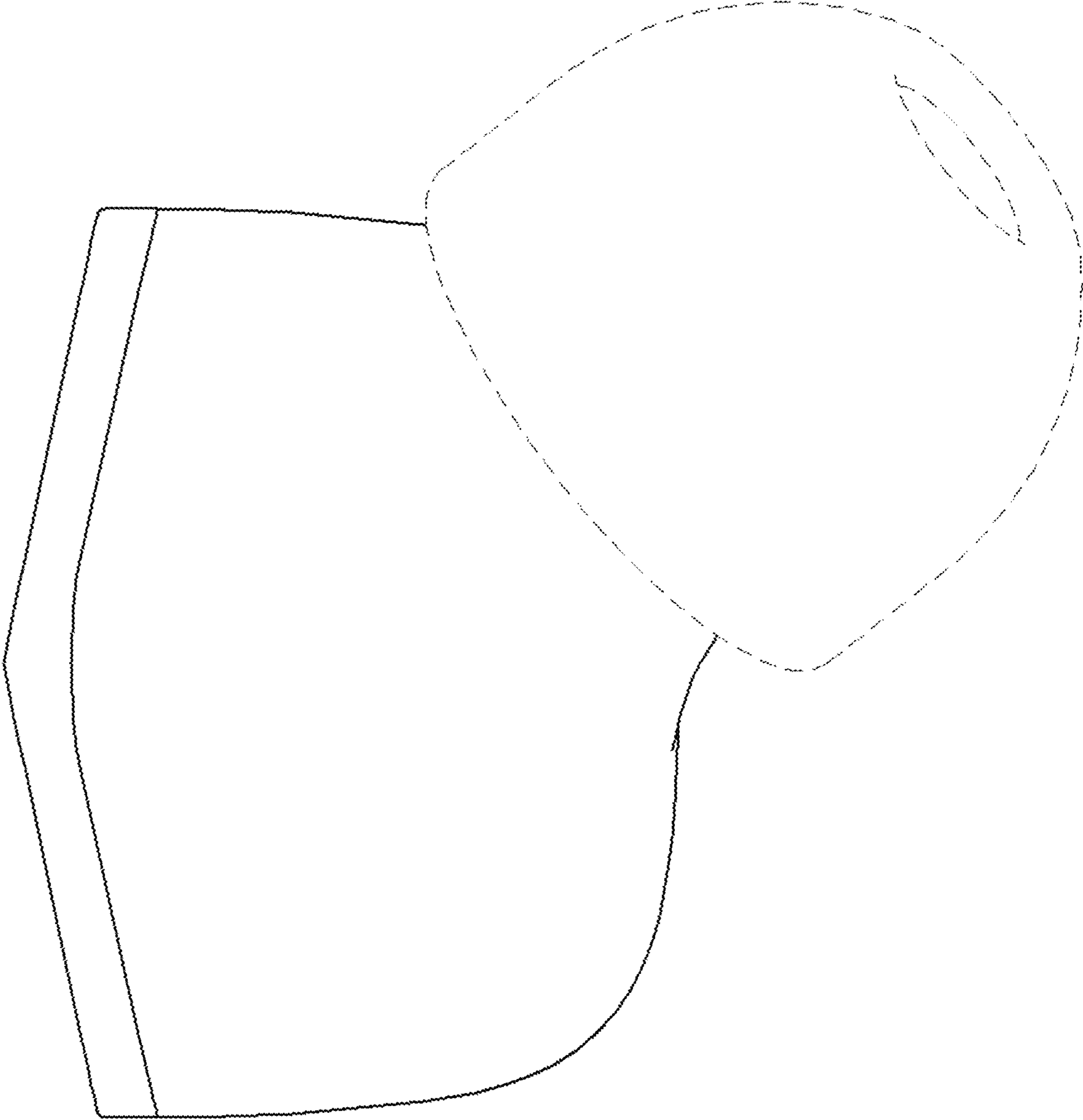
1.3



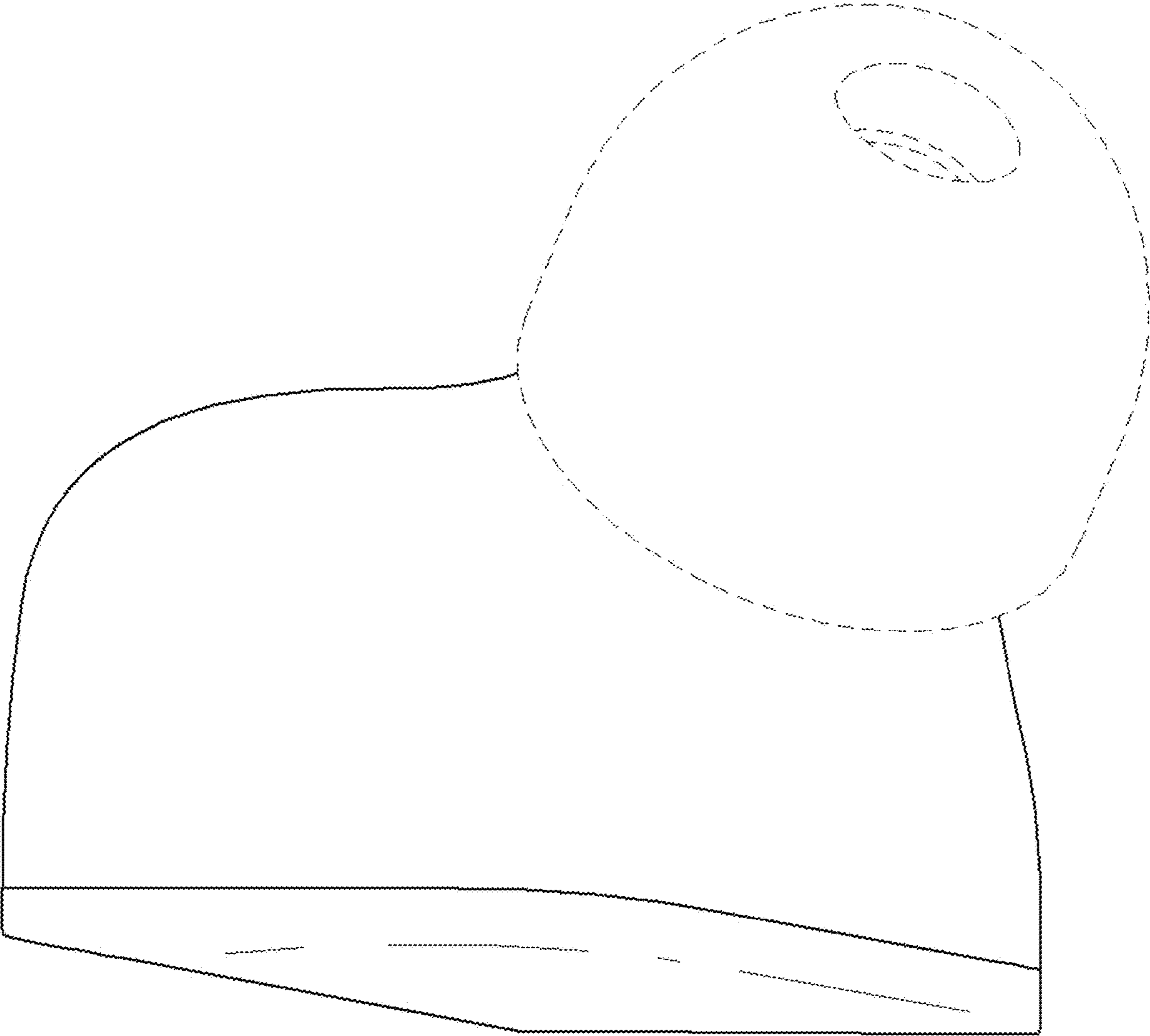
1.4



1.5



1.6



1.7

