



US00D940106S

(12) **United States Design Patent**
Chen

(10) **Patent No.:** **US D940,106 S**

(45) **Date of Patent:** **** Jan. 4, 2022**

(54) **SPEAKER COVER**

(71) Applicant: **Jian Chen**, Putian (CN)

(72) Inventor: **Jian Chen**, Putian (CN)

(**) Term: **15 Years**

(21) Appl. No.: **29/774,820**

(22) Filed: **Mar. 19, 2021**

(51) **LOC (13) Cl.** **14-01**

(52) **U.S. Cl.**
USPC **D14/217**; D14/203.6; D14/496;
D14/216

(58) **Field of Classification Search**

USPC D14/217, 216, 204, 203.3, 203.6, 496,
D14/207, 356, 171, 172; D3/218, 303,
D3/299, 267; D11/121; D7/629;
D9/425, 504, 505, 119, 715, 726, 776;
D10/2, 15, 22; 119/707; 206/5;
150/154, 155, 160, 901; 383/118
CPC H04R 1/1025; H04R 1/1083; H04R 3/04;
H04R 1/2876; H04R 1/342; H04R 9/08;
H04R 1/02; A01K 5/00; A01K 15/02;
G06F 1/16; B65D 85/38; B65D 85/00;
A45C 11/04

See application file for complete search history.

(56) **References Cited**

U.S. PATENT DOCUMENTS

1,861,948 A * 6/1932 Barkdoll A63B 47/00
206/315.9
2,086,631 A * 7/1937 Munro A01K 15/025
119/711
D152,602 S * 2/1949 Halbriter D6/683.1
2,784,512 A * 3/1957 Goodwin B65D 11/02
428/8
3,266,491 A * 8/1966 Koslow A61F 6/04
150/154

3,624,939 A * 12/1971 Gossard A47G 1/12
40/721
3,804,411 A * 4/1974 Hendry A63B 43/06
473/570
4,268,034 A * 5/1981 MacDonald A63B 37/0001
264/299
4,726,800 A * 2/1988 Kobayashi A63H 33/005
446/458
4,991,847 A * 2/1991 Rudell A63F 9/00
273/138.1
5,033,743 A * 7/1991 Wright A63B 43/00
473/613
D333,784 S * 3/1993 Goodman D3/302
D340,875 S * 11/1993 Castagnoli D10/83
5,280,906 A * 1/1994 Vitale A63B 43/00
473/613
D401,605 S * 11/1998 Shirley D16/227
D421,033 S * 2/2000 Shirley D16/227
D421,035 S * 2/2000 Shirley D16/227

(Continued)

Primary Examiner — Paula Allen Greene

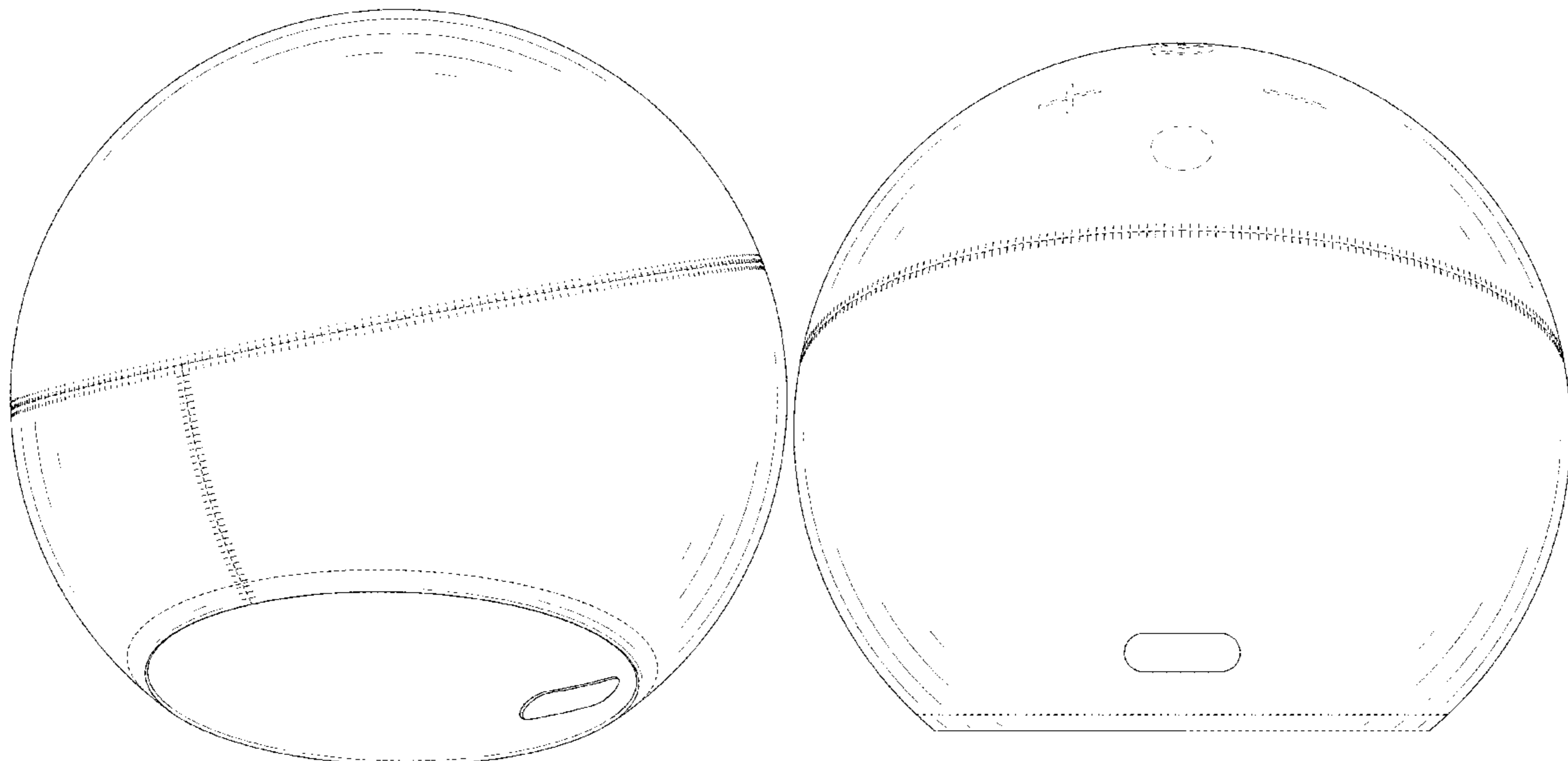
(57) **CLAIM**

The ornamental design for a speaker cover, as shown and described.

DESCRIPTION

FIG. 1 is a perspective view of a speaker cover showing my new design;
FIG. 2 is another perspective view thereof;
FIG. 3 is a front elevational view thereof;
FIG. 4 is a rear elevational view thereof;
FIG. 5 is a left side elevational view thereof;
FIG. 6 is a right side elevational view thereof;
FIG. 7 is a top plan view thereof; and,
FIG. 8 is a bottom plan view thereof.
The long thick evenly-spaced broken lines in the drawings depict portions of the speaker cover that form no part of the claimed design. The short thin evenly-spaced broken lines in the drawings depict stitching that form no part of the claimed design.

1 Claim, 8 Drawing Sheets



(56)

References Cited

U.S. PATENT DOCUMENTS

6,237,538 B1 * 5/2001 Tsengas A01K 5/0114
119/707
D456,733 S * 5/2002 Hafner D11/3
D462,068 S * 8/2002 Solland D14/216
D514,093 S * 1/2006 Borsboom D14/216
D521,681 S * 5/2006 Xu D21/713
7,151,672 B2 * 12/2006 Campbell G06F 1/181
361/725
7,166,047 B2 * 1/2007 May A63B 43/00
473/569
D566,189 S * 4/2008 Ivey D19/75
D588,583 S * 3/2009 McDougal D14/225
D592,064 S * 5/2009 Kilany D9/519
D596,306 S * 7/2009 Levine D24/214
D596,616 S * 7/2009 Andre D14/205
D599,330 S * 9/2009 Andre D14/223
D602,311 S * 10/2009 Finell D7/629
D609,709 S * 2/2010 Allo Allo D14/440
D612,245 S * 3/2010 Canamasas Puigbo D9/519
D614,989 S * 5/2010 Nakamura D11/121
D618,209 S * 6/2010 Andre D14/205
D618,210 S * 6/2010 Andre D14/205
D631,204 S * 1/2011 Dubitsky D28/82
D632,548 S * 2/2011 Tracey B65H 75/40
D8/358
7,916,887 B2 * 3/2011 Cleckler H04R 1/086
381/359
D640,248 S * 6/2011 Baumann D14/253
D645,846 S * 9/2011 Mordechai D14/216
D646,429 S * 10/2011 Sabernig D26/128
D650,280 S * 12/2011 de Peyerimhoff D9/504
8,069,946 B1 * 12/2011 Cruise, III H04R 1/28
181/198
D661,540 S * 6/2012 Facey D7/354
D661,994 S * 6/2012 Van Den Wouwer D9/563
D674,103 S * 1/2013 Smith D24/197
D675,194 S * 1/2013 Andre D14/223
D676,423 S * 2/2013 Joseph D14/216
8,430,258 B2 * 4/2013 Yamamoto B65D 23/02
220/62.22
D690,344 S * 9/2013 Hollinger D16/200
D692,547 S * 10/2013 Wirz D23/366
D693,814 S * 11/2013 Park D14/434
D696,298 S * 12/2013 Britt, Jr D14/496
D698,023 S * 1/2014 Iseberg D24/174

D699,674 S * 2/2014 Man D13/108
D700,591 S * 3/2014 Xiao D14/216
D701,831 S * 4/2014 Park D13/108
D703,945 S * 5/2014 Reynolds D3/211
D705,844 S * 5/2014 Bart D16/203
8,730,037 B2 * 5/2014 Houvener G08B 7/06
340/540
8,737,662 B2 * 5/2014 Zukowski H04R 1/086
381/360
D711,351 S * 8/2014 Breines D14/215
8,989,420 B1 * 3/2015 Hamer H04R 1/02
381/355
D733,690 S * 7/2015 Zukowski D14/228
9,118,989 B2 * 8/2015 Zukowski H04R 1/086
D743,941 S * 11/2015 Patsis D14/216
D747,995 S * 1/2016 McLaughlin D11/1
D769,223 S * 10/2016 Hinokio
D770,415 S * 11/2016 Pellisari D14/216
D773,327 S * 12/2016 Furuya D10/81
D774,020 S * 12/2016 Hinokio D14/216
D784,412 S * 4/2017 Akana D14/496
D793,363 S * 8/2017 Zhang D14/216
D794,617 S * 8/2017 Wright D14/238.1
D801,307 S * 10/2017 Kim D14/216
D802,561 S * 11/2017 Manginello D14/216
D812,643 S * 3/2018 Akana D14/496
D817,935 S * 5/2018 Zukowski D14/228
D856,977 S * 8/2019 Hartmann
D860,257 S * 9/2019 Akana D14/496
D863,356 S * 10/2019 Akana D14/496
D873,799 S * 1/2020 Longenecker D14/217
D879,151 S * 3/2020 Akana D14/496
D884,673 S * 5/2020 Han D14/216
D885,368 S * 5/2020 Yanjie D14/216
D906,279 S * 12/2020 Nam D14/204
D909,993 S * 2/2021 Han D14/216
2005/0263418 A1 * 12/2005 Bastus Cortes A45C 11/00
206/320
2013/0308796 A1 * 11/2013 Levinsohn H04R 1/04
381/122
2014/0064543 A1 * 3/2014 Zukowski H04R 1/086
381/360
2014/0064544 A1 * 3/2014 Zukowski H04R 1/02
381/360
2015/0010165 A1 * 1/2015 Peng H04R 3/02
381/93

* cited by examiner

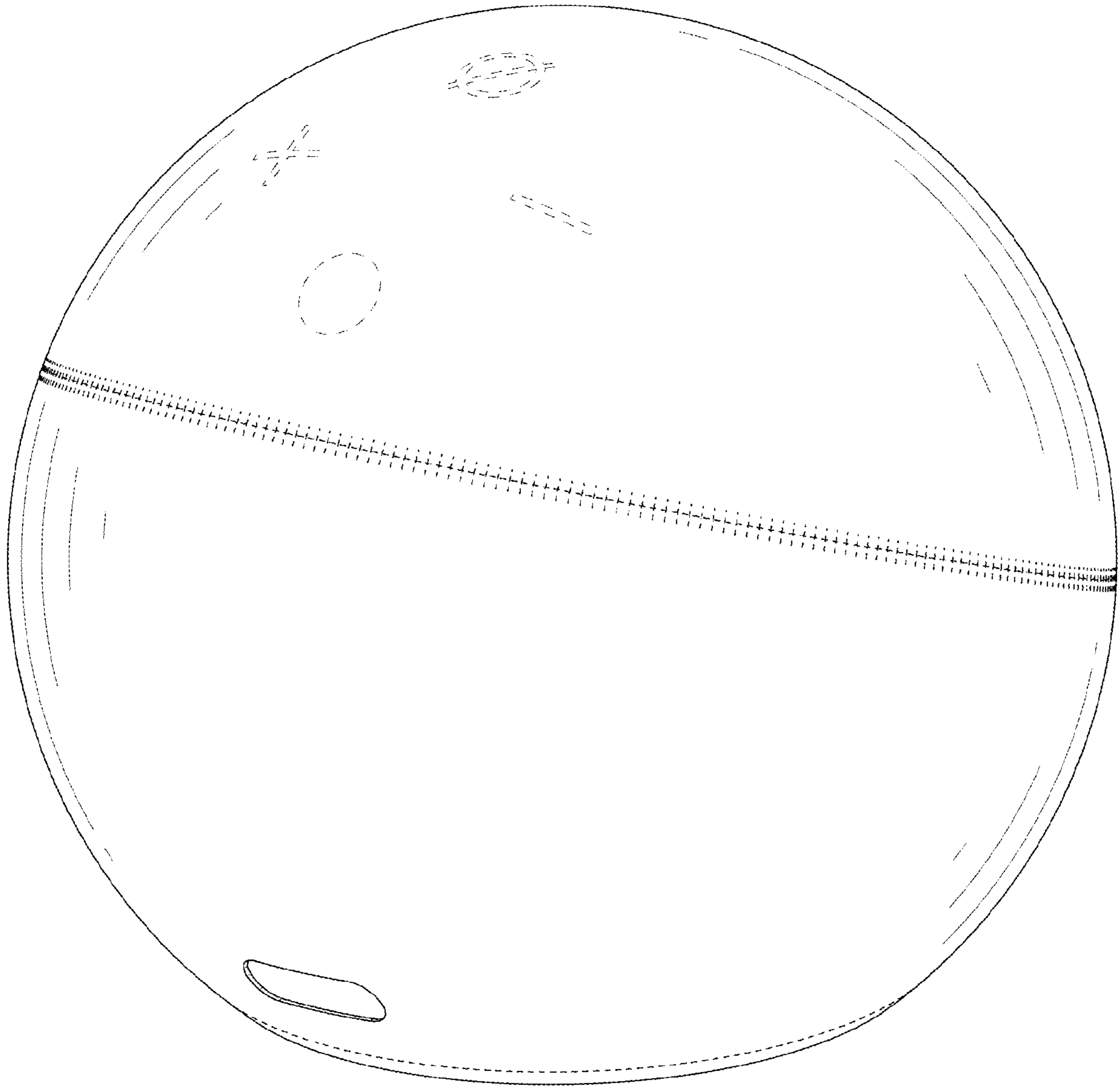


FIG. 1

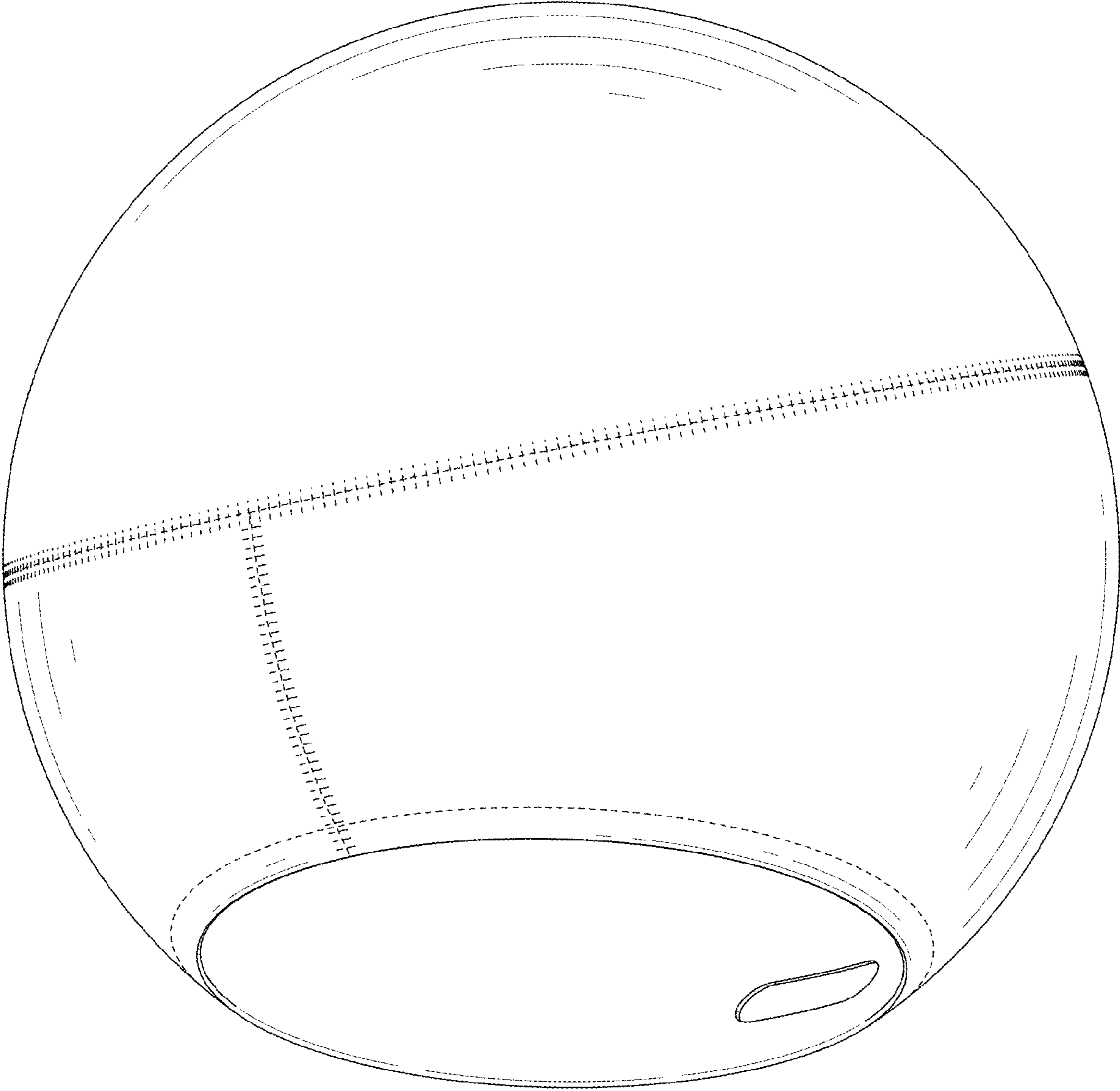


FIG. 2

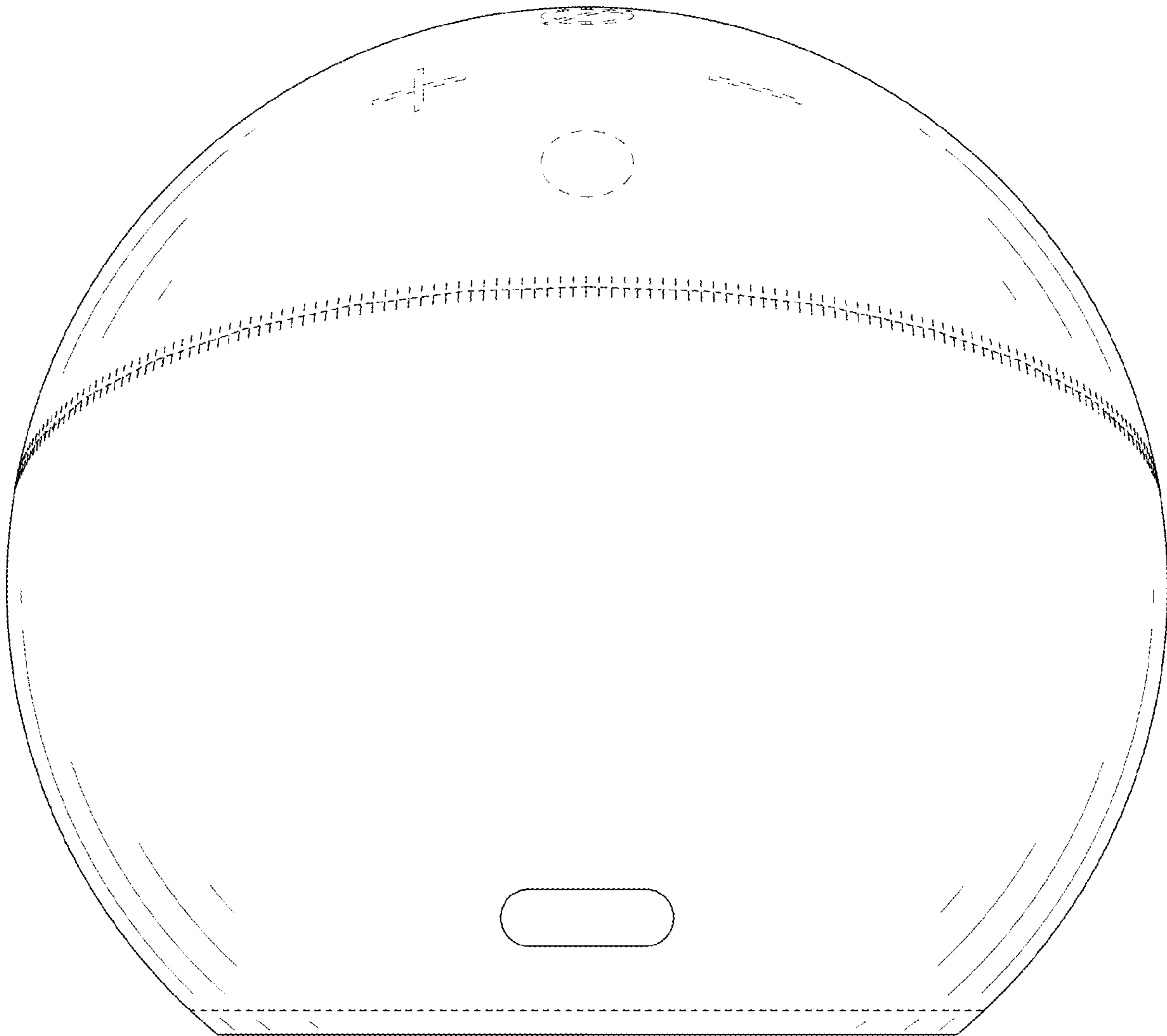


FIG. 3

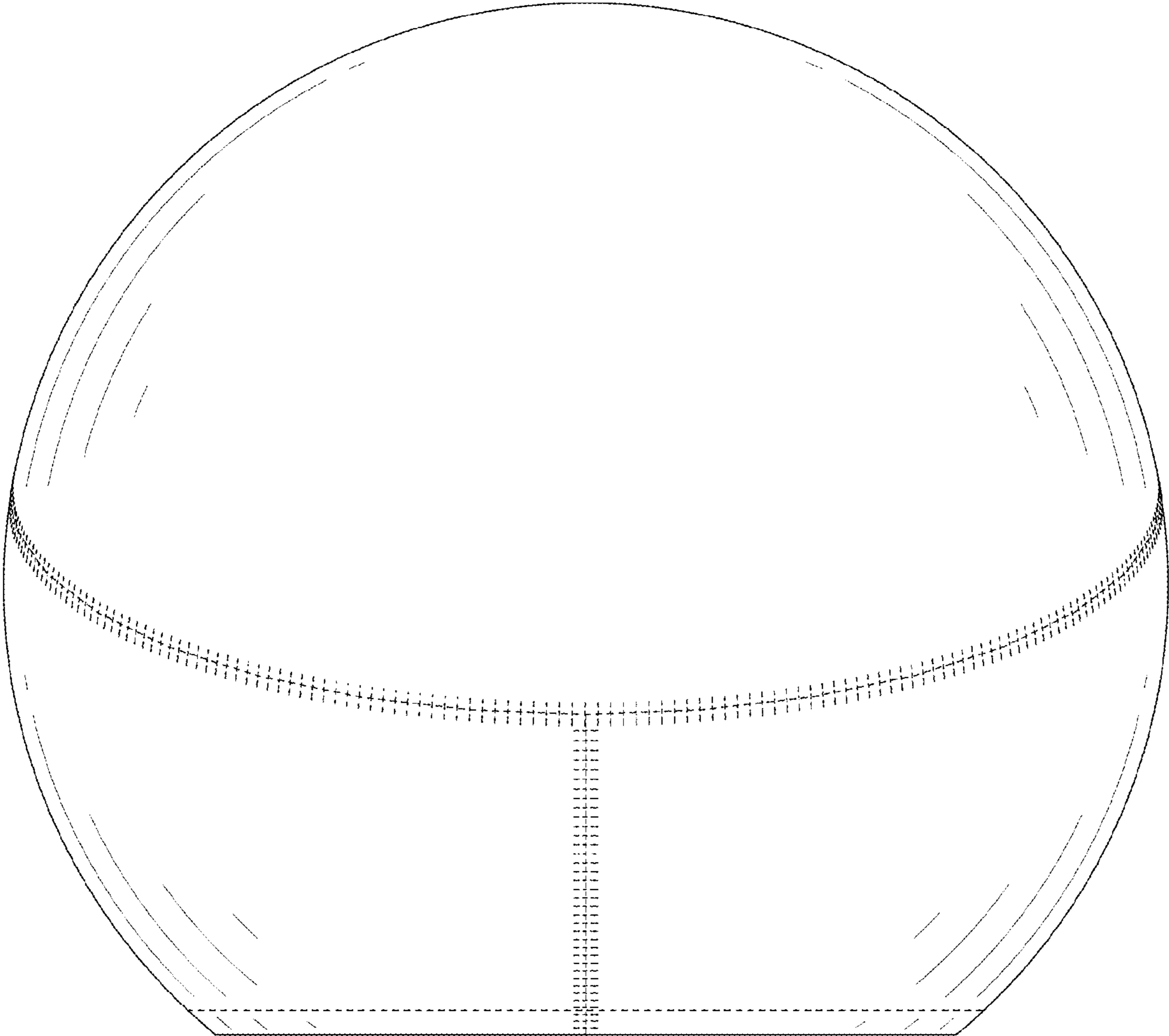


FIG. 4

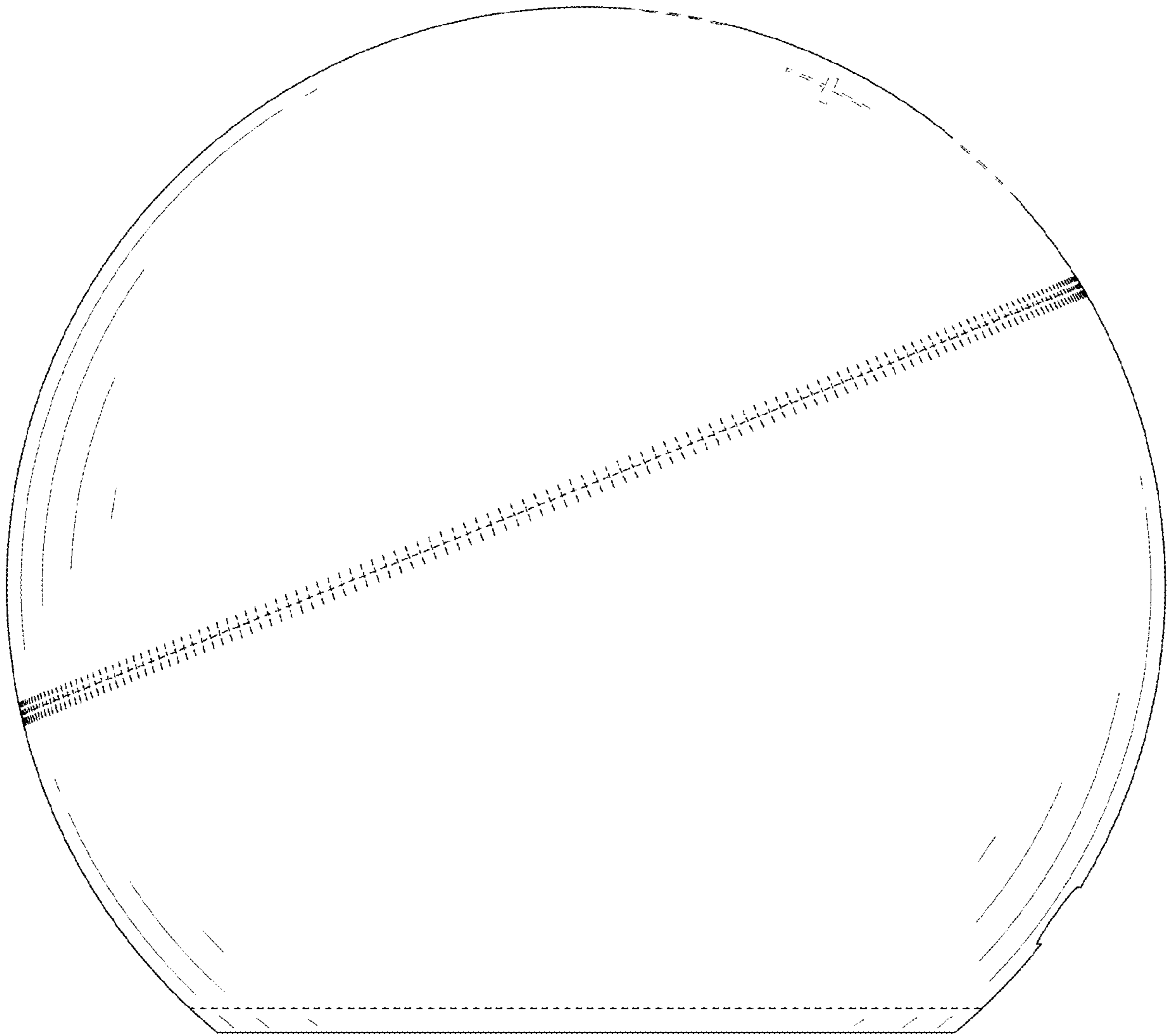


FIG. 5

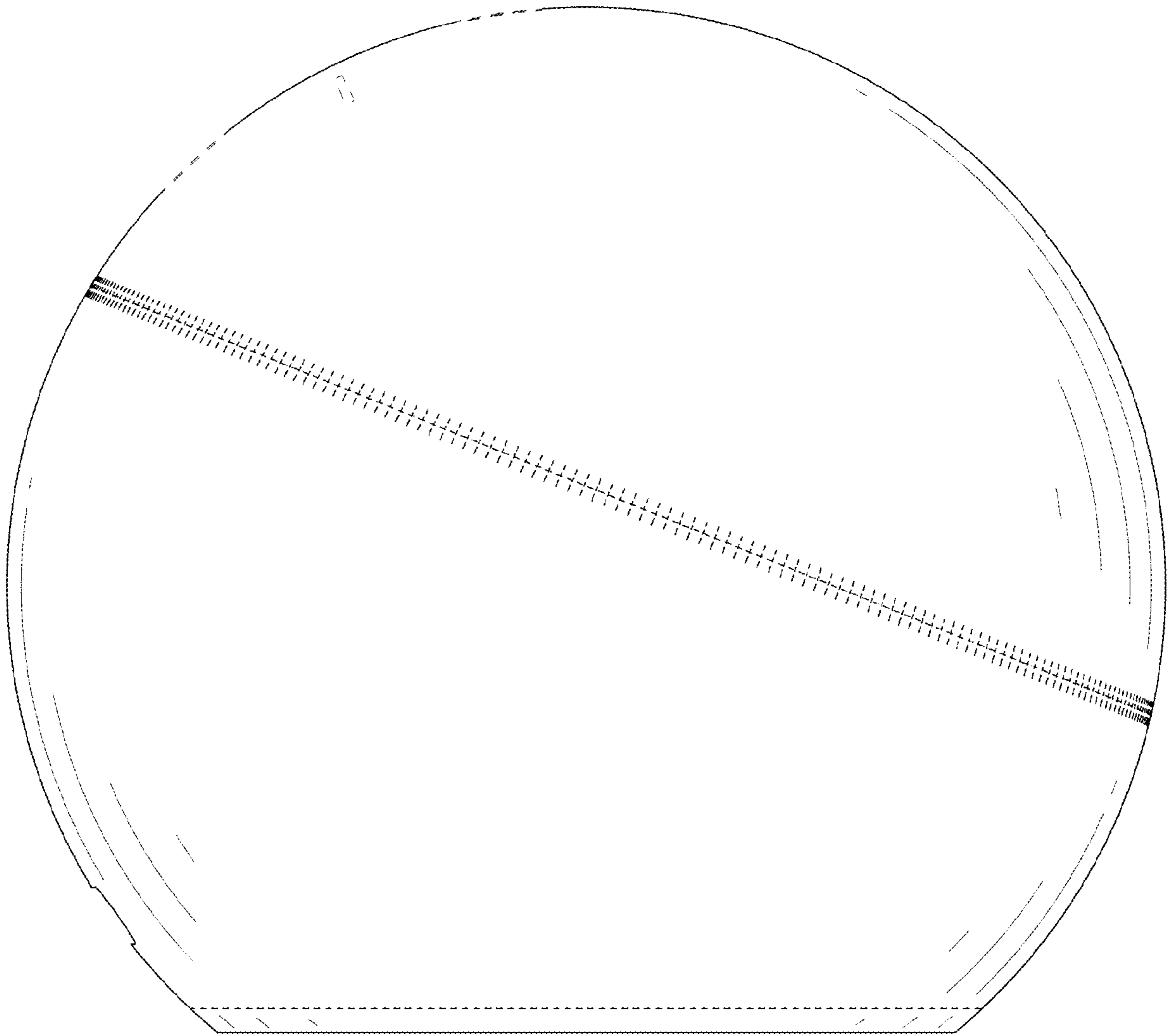


FIG. 6

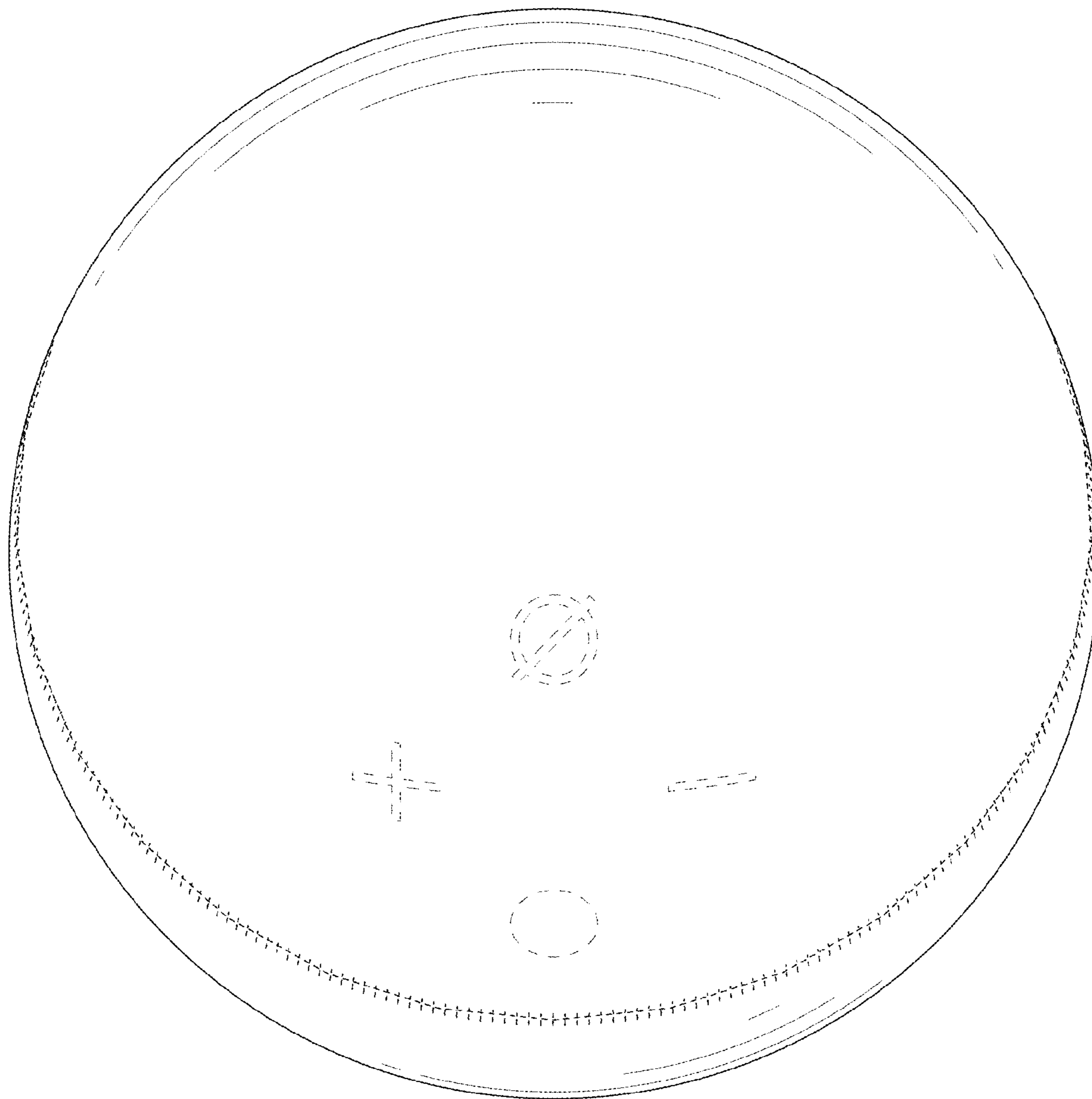


FIG. 7

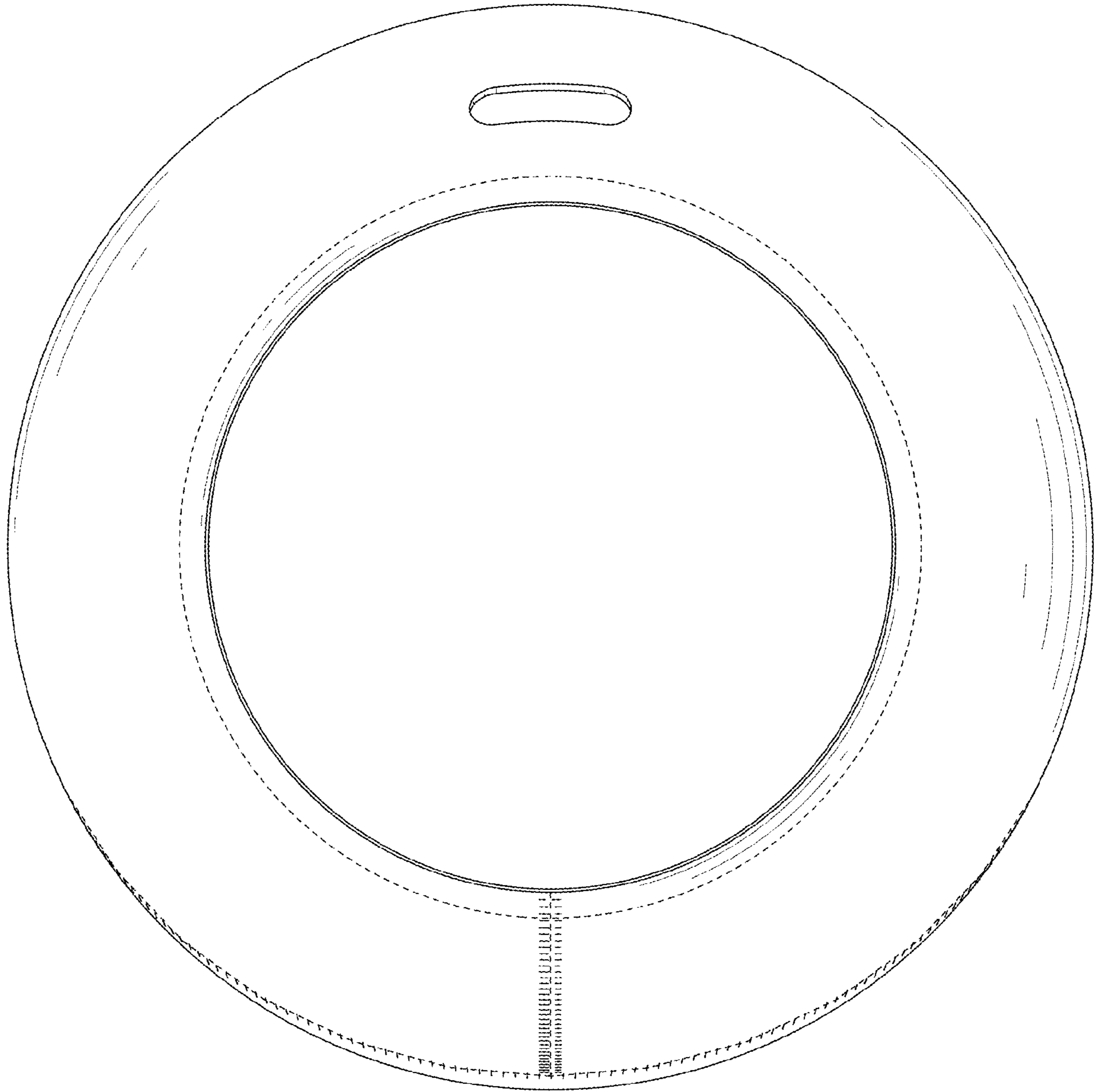


FIG. 8