



US00D940102S

(12) **United States Design Patent** (10) **Patent No.:** **US D940,102 S**
Sugiura (45) **Date of Patent:** **** Jan. 4, 2022**

(54) **SPEAKER**

(71) Applicant: **YAMAHA CORPORATION**,
Hamamatsu (JP)

(72) Inventor: **Yoshihisa Sugiura**, Buena Park, CA
(US)

(73) Assignee: **YAMAHA CORPORATION**,
Hamamatsu (JP)

(**) Term: **15 Years**

(21) Appl. No.: **29/718,070**

(22) Filed: **Dec. 20, 2019**

(51) **LOC (13) Cl.** **14-01**

(52) **U.S. Cl.**
USPC **D14/210; D14/204**

(58) **Field of Classification Search**
USPC D14/167, 168, 170–172, 188, 194–196,
D14/204, 209.1, 210–216, 219, 221, 222,
D14/224, 239, 496

CPC B60R 11/0217; G06F 1/1688; G10K 9/22;
G10K 11/004; H03F 1/327; H04M 1/03;
H04M 1/035; H04N 5/642; H04N
21/4852; H04R 1/02; H04R 1/06; H04R
1/021; H04R 1/025; H04R 1/026; H04R
1/028; H04R 1/105; H04R 1/323; H04R
1/403; H04R 1/2803; H04R 1/2834;
H04R 5/02; H04R 7/20; H04R 9/06;
H04R 9/025; H04R 2201/021; H04R
2400/00; H04R 2201/07; H04R 2499/11;
H04R 2499/13; H04R 2499/15; H04S
3/00; H04S 7/30

See application file for complete search history.

(56) **References Cited**

U.S. PATENT DOCUMENTS

D718,737 S * 12/2014 Shadovitz D14/209.1
D831,001 S * 10/2018 Sugiura D14/214
D852,774 S * 7/2019 Sugiura D14/204
D874,433 S * 2/2020 Boerner D14/214
D906,278 S * 12/2020 Laine D14/204
D918,170 S * 5/2021 Sugiura D14/204
D920,279 S * 5/2021 Sugiura D14/204
D924,838 S * 7/2021 Kang D14/204

* cited by examiner

Primary Examiner — Keli L Hill

(74) *Attorney, Agent, or Firm* — Sughrue Mion, PLLC

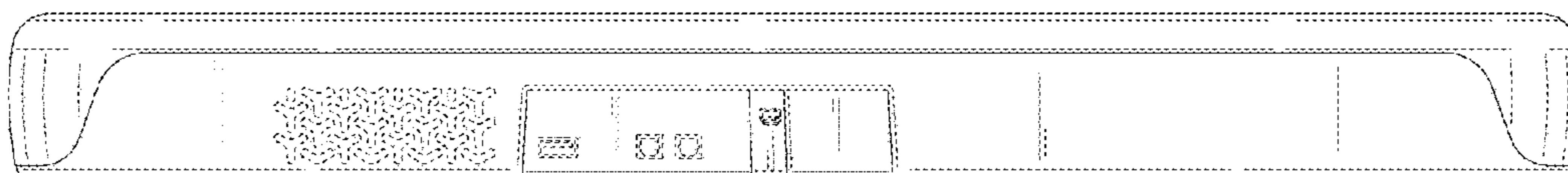
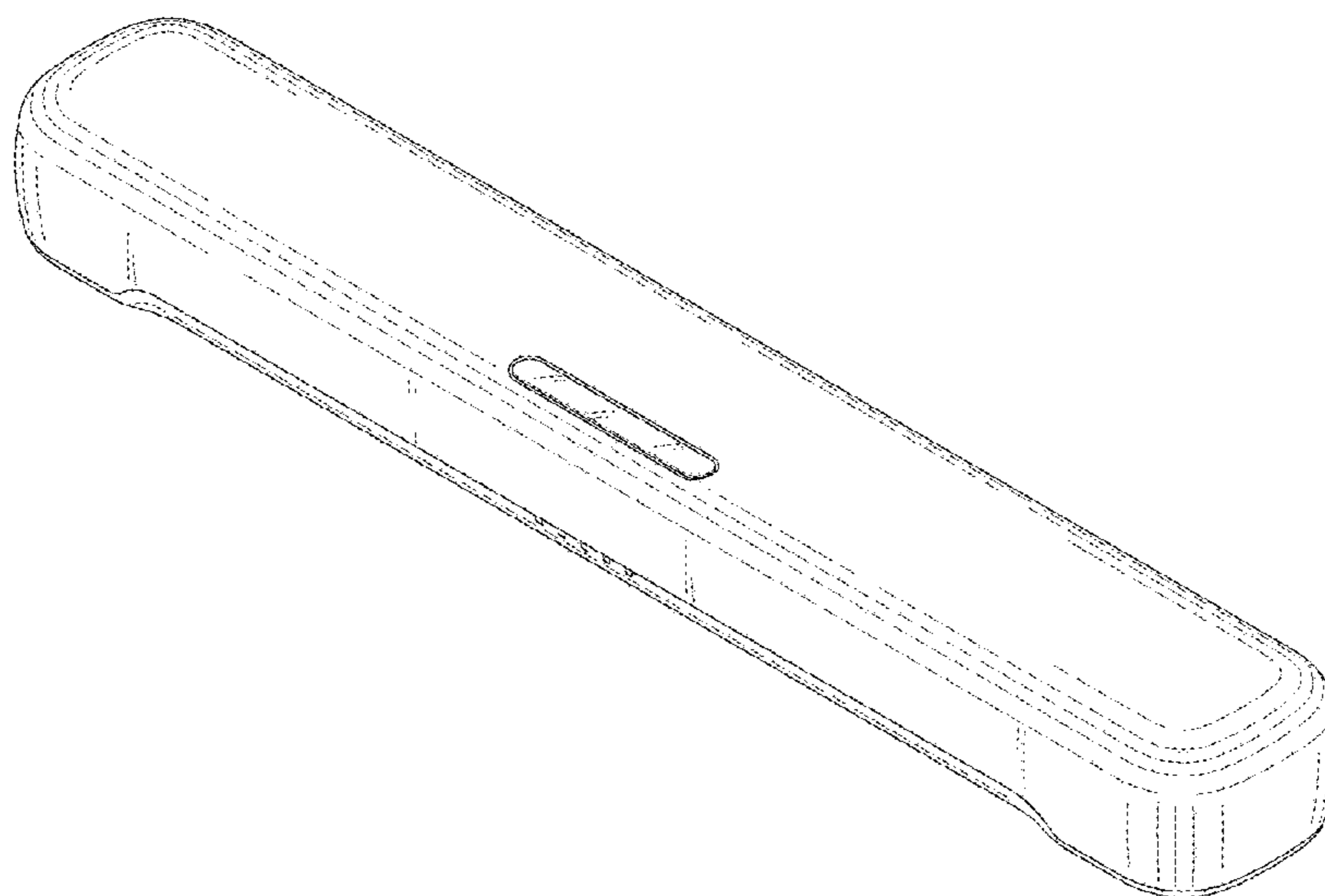
(57) **CLAIM**

The ornamental design for a speaker, as shown and described.

DESCRIPTION

FIG. 1 is a perspective view of the front, top and right side of a speaker showing my new design;
FIG. 2 is a front view thereof;
FIG. 3 is a rear view thereof;
FIG. 4 is a left side view thereof;
FIG. 5 is a right side view thereof;
FIG. 6 is a top view thereof; and,
FIG. 7 is a bottom view thereof.
The broken line showing of the speaker is included for the purpose of illustrating portions of the speaker and forms no part of the claimed design.

1 Claim, 4 Drawing Sheets



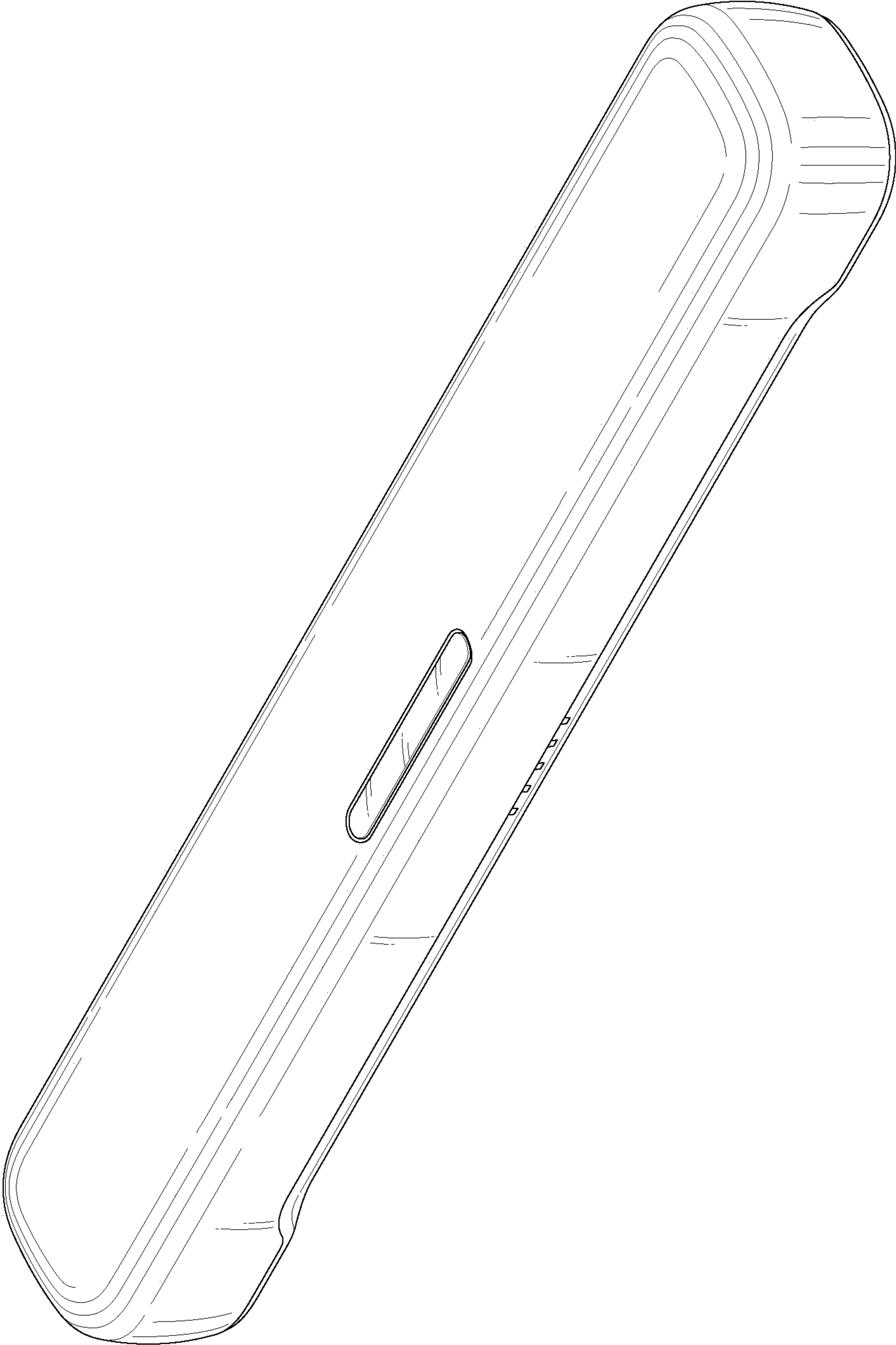


FIG. 1

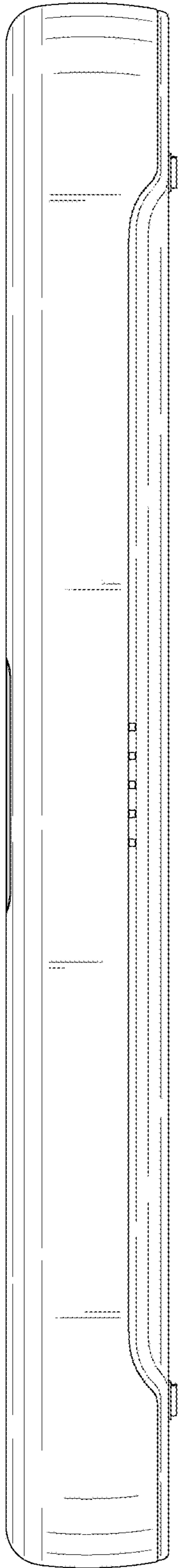


FIG. 2

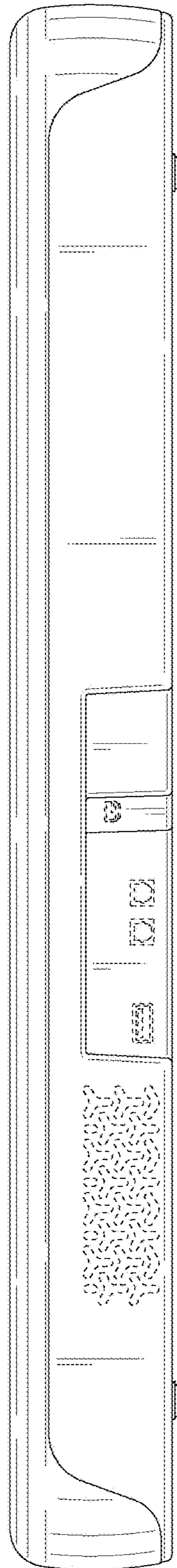


FIG. 3

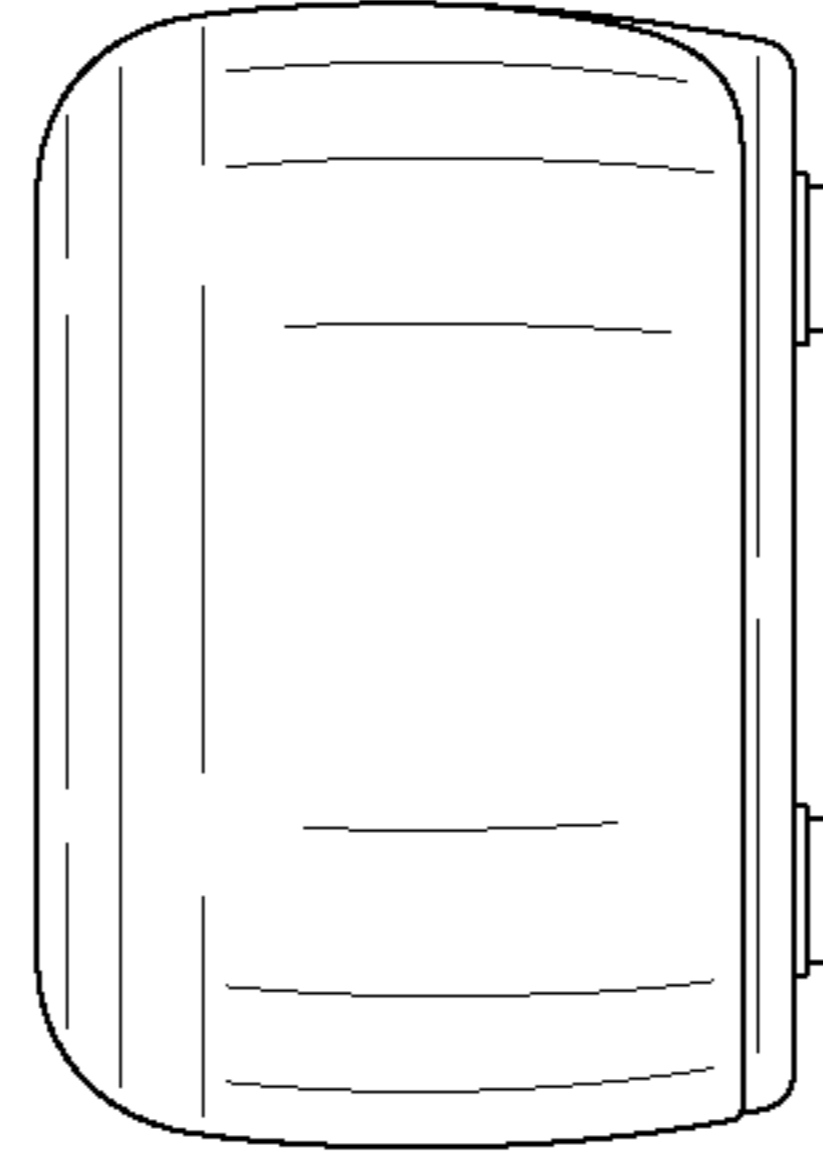


FIG. 5

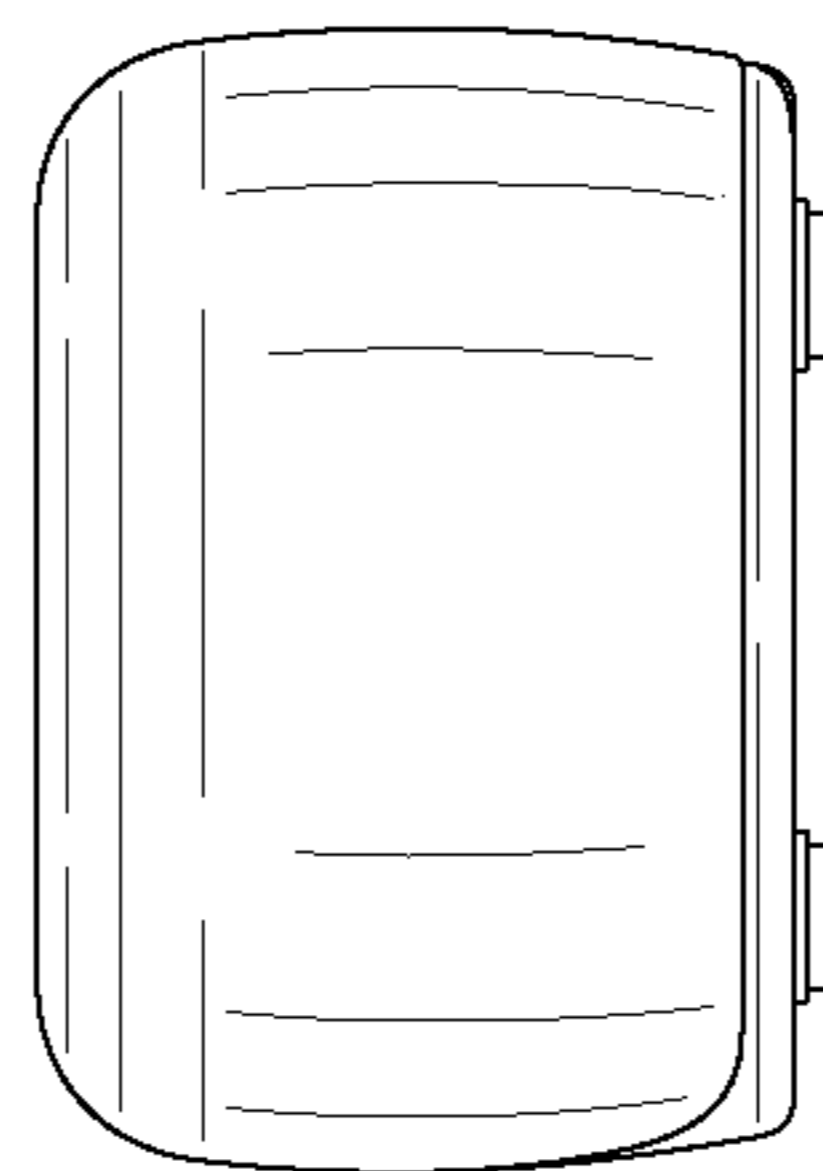


FIG. 4

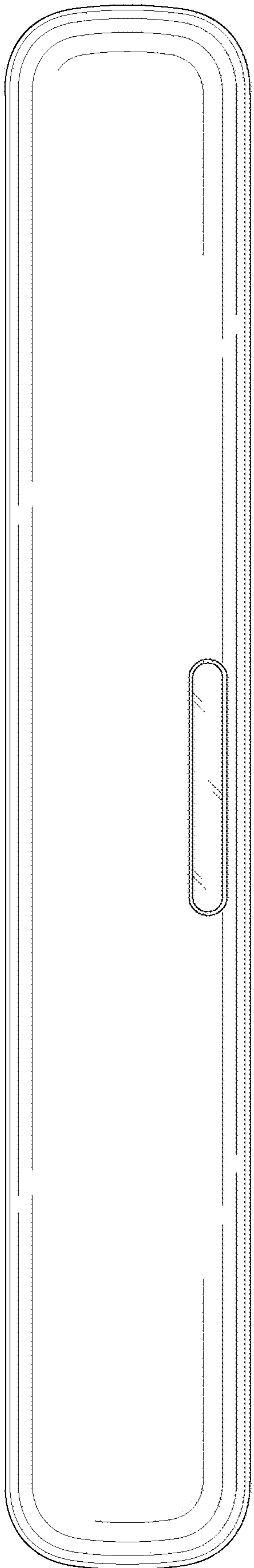


FIG. 6

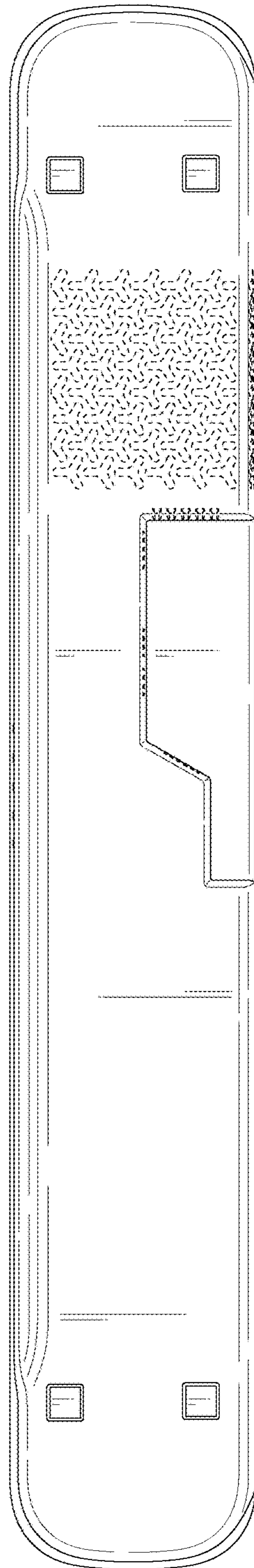


FIG. 7