



US00D940101S

(12) **United States Design Patent**
Bae et al.

(10) **Patent No.:** **US D940,101 S**
(45) **Date of Patent:** **** Jan. 4, 2022**

(54) **SPEAKER**
(71) Applicant: **LG ELECTRONICS INC.**, Seoul (KR)
(72) Inventors: **Jinwan Bae**, Seoul (KR); **Hyojin Won**, Seoul (KR); **Minjeong Kang**, Seoul (KR); **Youngjoon Park**, Seoul (KR); **Youjin Lee**, Seoul (KR)
(73) Assignee: **LG ELECTRONICS INC.**, Seoul (KR)
(**) Term: **15 Years**
(21) Appl. No.: **29/735,153**
(22) Filed: **May 19, 2020**
(30) **Foreign Application Priority Data**

Dec. 17, 2019 (KR) 30-2019-0061359
(51) **LOC (13) Cl.** **14-01**
(52) **U.S. Cl.**
USPC **D14/207**
(58) **Field of Classification Search**
USPC D14/155–159, 160–173, 187–188,
D14/203.1–203.8, 204–216, 217–222,
(Continued)

(56) **References Cited**

U.S. PATENT DOCUMENTS

D527,405 S * 8/2006 Kim D16/202
D552,650 S * 10/2007 Yamakawa D16/203
(Continued)

FOREIGN PATENT DOCUMENTS

CN 303508123 * 12/2015
CN 306620124 * 6/2021
(Continued)

OTHER PUBLICATIONS

LG Expands IOT Ecosystem, Jan. 5, 2017, [retrieved Jul. 13, 2021]. Retrieved from Internet, URL: <<https://www.lgnewsroom.com/2017/01/lg-expands-iot-ecosystem-with-lineup-of-futuristic-robotic-products/>> (Year: 2017).*

(Continued)

Primary Examiner — Barbara Fox
Assistant Examiner — Aram Kwon
(74) *Attorney, Agent, or Firm* — Birch, Stewart, Kolasch & Birch, LLP

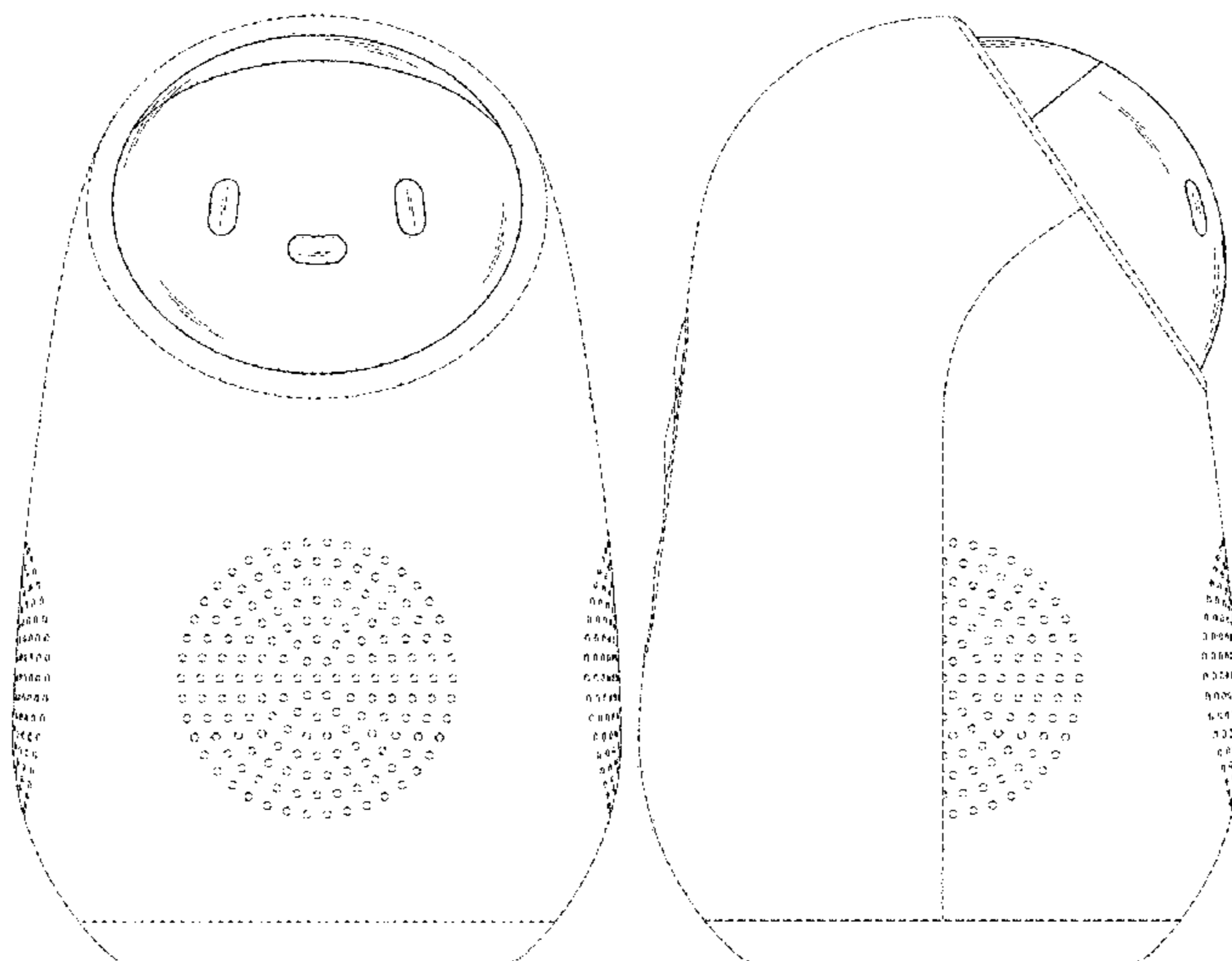
(57) **CLAIM**

We claim the ornamental design for a speaker, as shown and described.

DESCRIPTION

FIG. 1 is a perspective view of a speaker showing the new design;
FIG. 2 is a front elevation view thereof;
FIG. 3 is a rear elevation view thereof;
FIG. 4 is a left side elevation view thereof;
FIG. 5 is a right side elevation view thereof;
FIG. 6 is a top plan view thereof;
FIG. 7 is a bottom plan view thereof;
FIG. 8 is a perspective view of a speaker showing a state of the head thereof rotated to the right;
FIG. 9 is a front elevation view thereof;
FIG. 10 is a rear elevation view thereof;
FIG. 11 is a left side elevation view thereof;
FIG. 12 is a right side elevation view thereof;
FIG. 13 is a top plan view thereof;
FIG. 14 is a bottom plan view thereof;
FIG. 15 is a perspective view of a speaker showing a state of the head thereof rotated upward;
FIG. 16 is a front elevation view thereof;
FIG. 17 is a rear elevation view thereof;
FIG. 18 is a left side elevation view thereof;
FIG. 19 is a right side elevation view thereof;
FIG. 20 is a top plan view thereof; and
FIG. 21 is a bottom plan view thereof.
The broken lines in the figures depict portions of the speaker that form no part of the claimed design.

1 Claim, 21 Drawing Sheets



(58) **Field of Classification Search**

USPC D14/225–229, 496, 498, 507;
 D16/200–203; D21/577–579, 659
 CPC H04R 1/02; H04R 1/021; H04R 1/025;
 H04R 1/026; H04R 1/028; H04R 1/06;
 H04R 1/105; H04R 1/323; H04R 1/403;
 H04R 1/2803; H04R 1/2834
 See application file for complete search history.

D901,572 S * 11/2020 Wang D16/203
 D911,417 S * 2/2021 Sjogren D16/203
 2007/0192910 A1* 8/2007 Vu B25J 19/06
 700/245

FOREIGN PATENT DOCUMENTS

CN 306620364 * 6/2021
 CN 306620365 * 6/2021
 KR 300945038.0000 * 2/2018

(56)

References Cited

U.S. PATENT DOCUMENTS

D565,070 S * 3/2008 Kim D16/202
 D603,441 S * 11/2009 Wada D16/203
 D799,575 S * 10/2017 Tang D15/199
 D813,926 S * 3/2018 Shin D16/203
 D825,010 S * 8/2018 Osentoski D21/578
 D835,169 S * 12/2018 Morisawa D15/199
 D838,758 S * 1/2019 Kymm D15/199
 D843,498 S * 3/2019 Clerc D21/578
 D862,813 S * 10/2019 Liu D30/199
 D864,158 S * 10/2019 Koh D14/207
 D870,070 S * 12/2019 Koh D14/207
 D870,071 S * 12/2019 Koh D14/207
 D878,491 S * 3/2020 Hayashi D21/592
 D878,494 S * 3/2020 Hayashi D21/659
 D878,495 S * 3/2020 Hayashi D21/659
 D879,853 S * 3/2020 Baba D15/199
 D880,556 S * 4/2020 Tang D16/203
 D881,249 S * 4/2020 Kim D15/199
 D881,250 S * 4/2020 Yao D15/199
 D882,664 S * 4/2020 Tang D16/203
 D888,793 S * 6/2020 Du D16/203
 D890,831 S * 7/2020 Zheng D16/203
 D891,501 S * 7/2020 Wu D16/203
 D895,606 S * 9/2020 Matoba D14/314
 D898,097 S * 10/2020 Ravat D16/203

OTHER PUBLICATIONS

LG sets sights on robots, Jul. 21, 2017, [retrieved Jul. 13, 2021], Retrieved from Internet, URL: <<https://koreajoongangdaily.joins.com/2017/07/21/industry/LG-sets-sights-on-robots/3036180.html>> (Year: 2017).*

Humanoid Robot Dancing Bluetooth Speaker, date not available, [retrieved Jul. 16, 2021], Retrieved from Internet, URL: <<https://www.globalsources.com/Educational-robot/Ai-Robot-Speaker-1177828359p.htm#1177828359>> (Year: 2021).*

Qbo, Mar. 3, 2015, [retrieved Jul. 16, 2021], Retrieved from Internet, URL: <<https://linux.softpedia.com/blog/Qbo-Is-an-AI-Driven-Ubuntu-Powered-Cute-Little-Robot-Video-474777.shtml>> (Year: 2015).*

Cute Musio Robot, Jun. 1, 2015, [retrieved Jul. 16, 2021], Retrieved from Internet, URL: <<https://www.geeky-gadgets.com/cute-musio-robot-equipped-with-ai-unveiled-by-akastudy-01-06-2015/>> (Year: 2015).*

Moorebot MB01 Security and Surveillance Camera, review date: Mar. 3, 2017, [retrieved Jul. 16, 2021], Retrieved from Internet, URL: <<https://www.ubuy.qa/en/catalog/product/view/id/2306571/s/pre-order-moorebot-voice-interactive-ai-robot-p2p-wireless-ip-camera-cute-animated-personal-assistant-mini-robotic-fo>>.*

The Yandex Smart Speaker Concept, May 7, 2020, [retrieved Jul. 16, 2021], Retrieved from Internet, URL: <<https://www.yankodesign.com/2020/05/07/the-yandex-smart-speaker-feels-friendly-and-human-like-because-it-sort-of-looks-like-one/>> (Year: 2020).*

* cited by examiner

FIG. 1

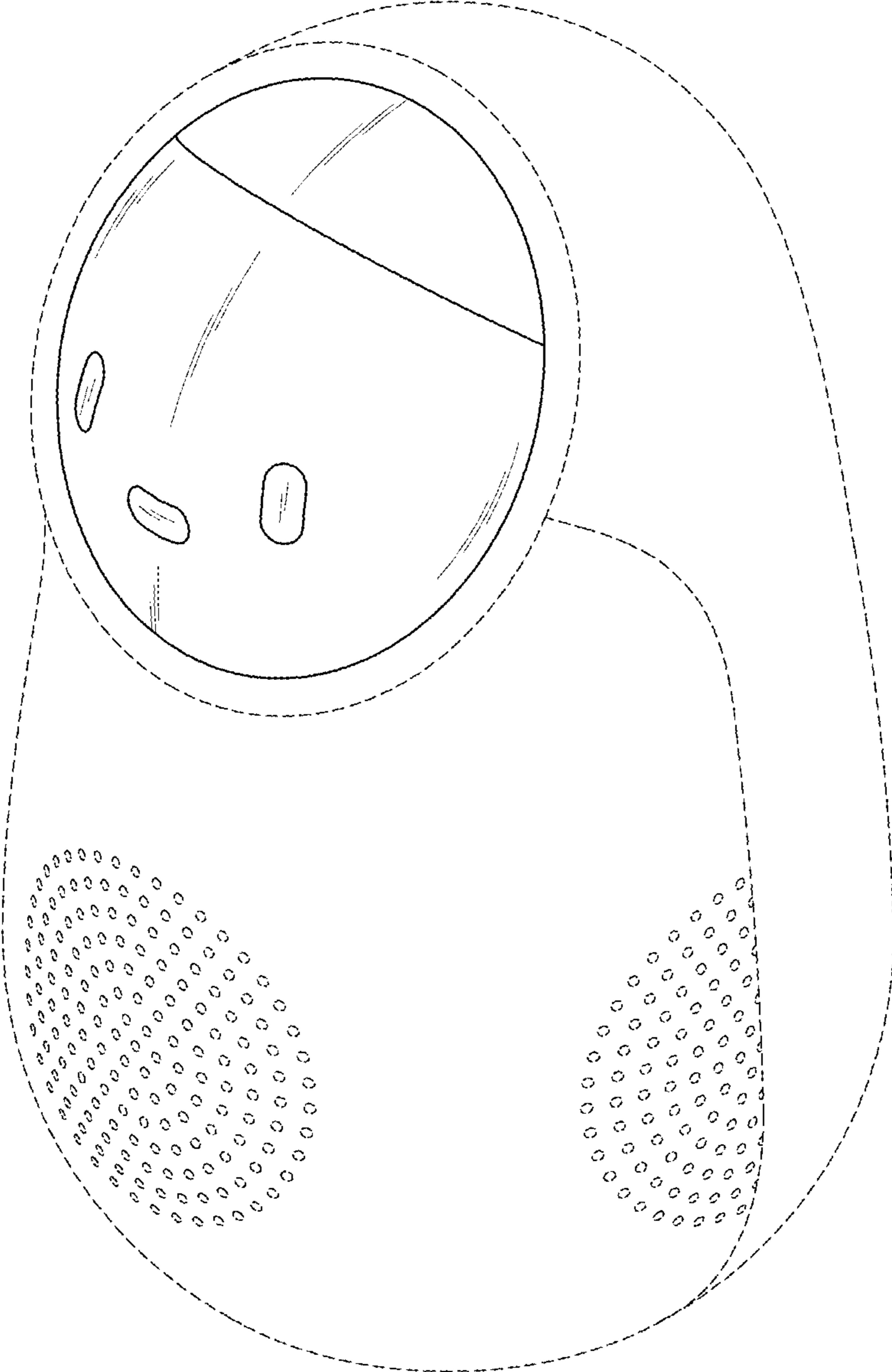


FIG. 2

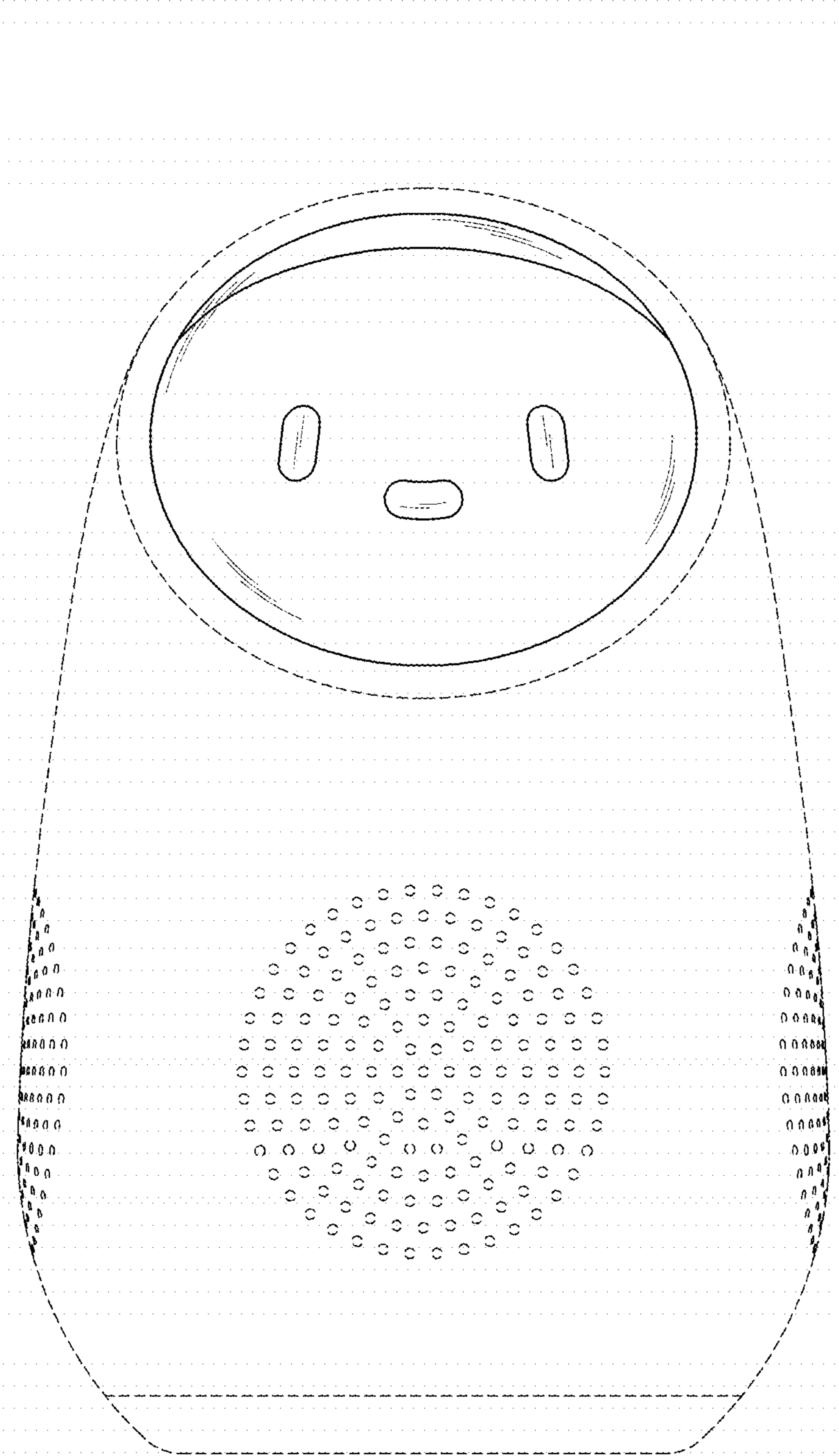


FIG. 3

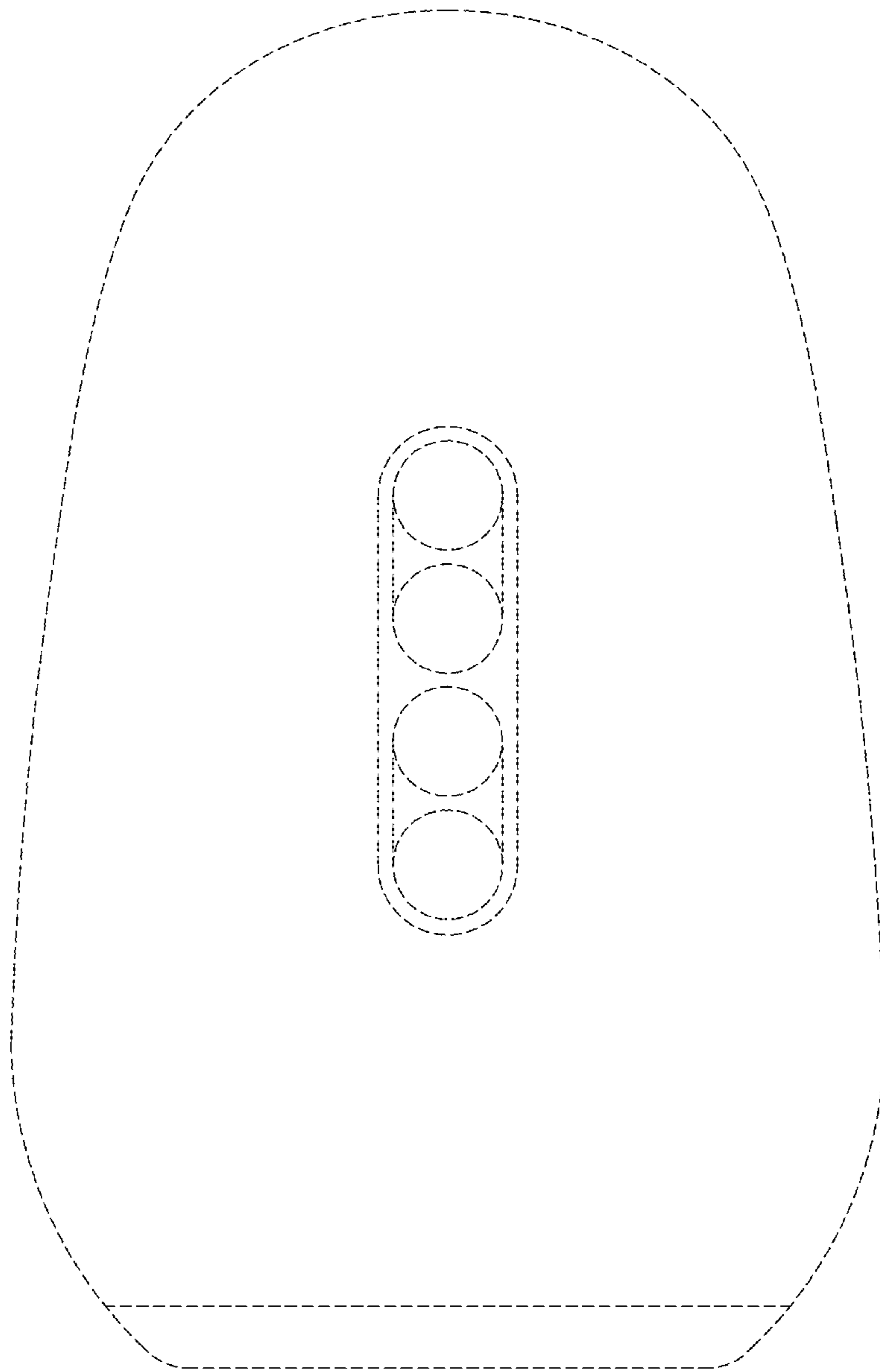


FIG. 4

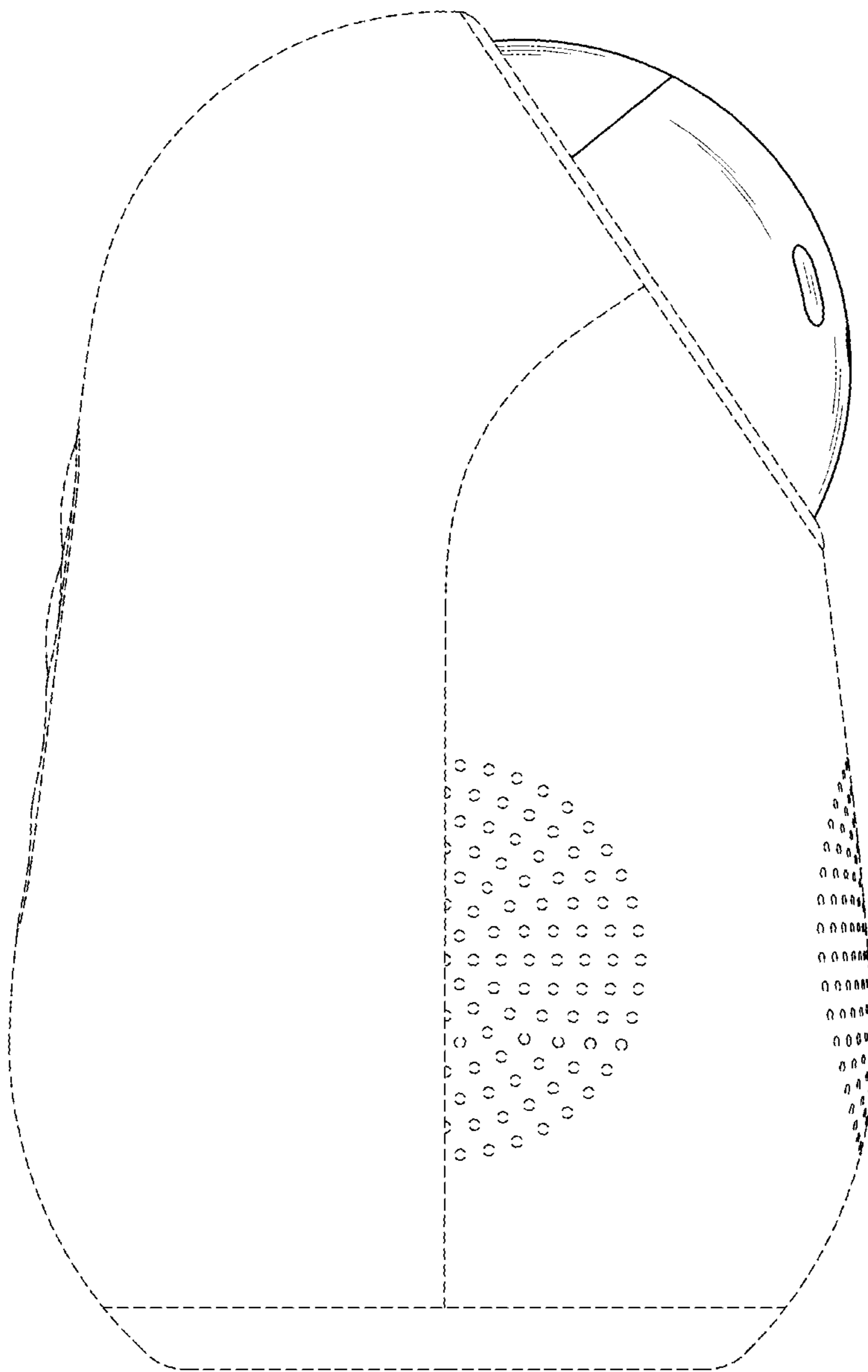


FIG. 5

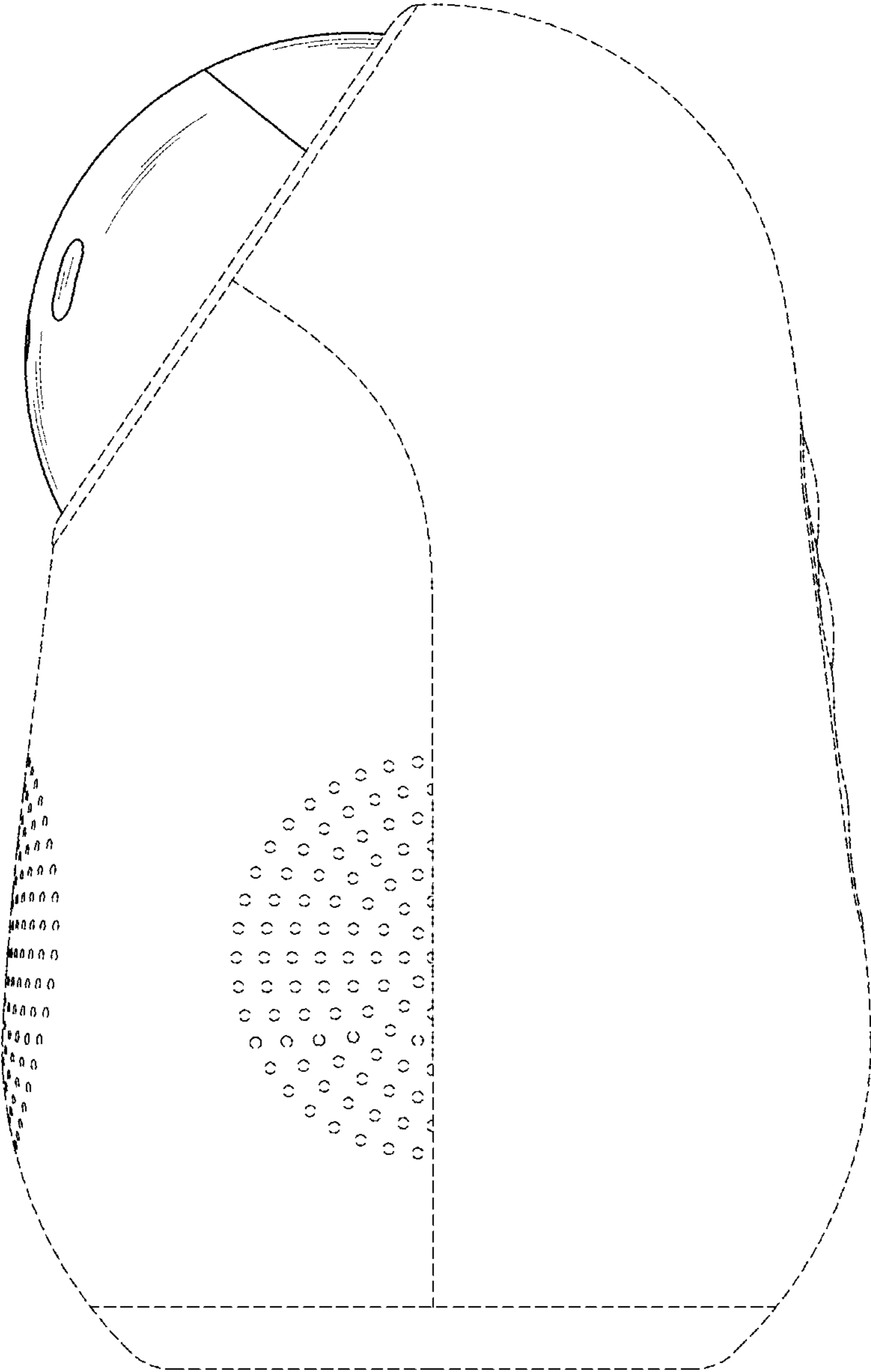


FIG. 6

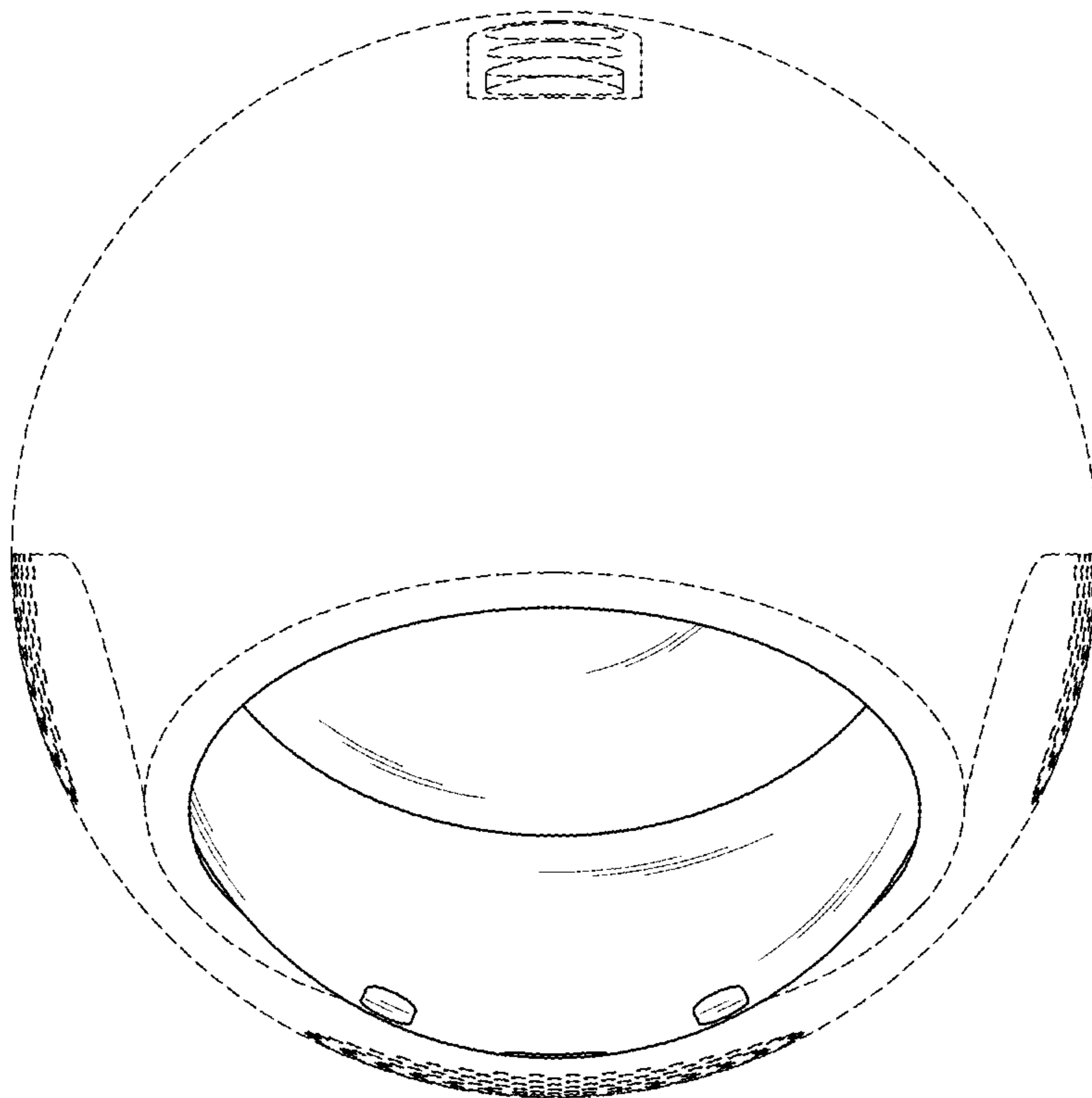


FIG. 7

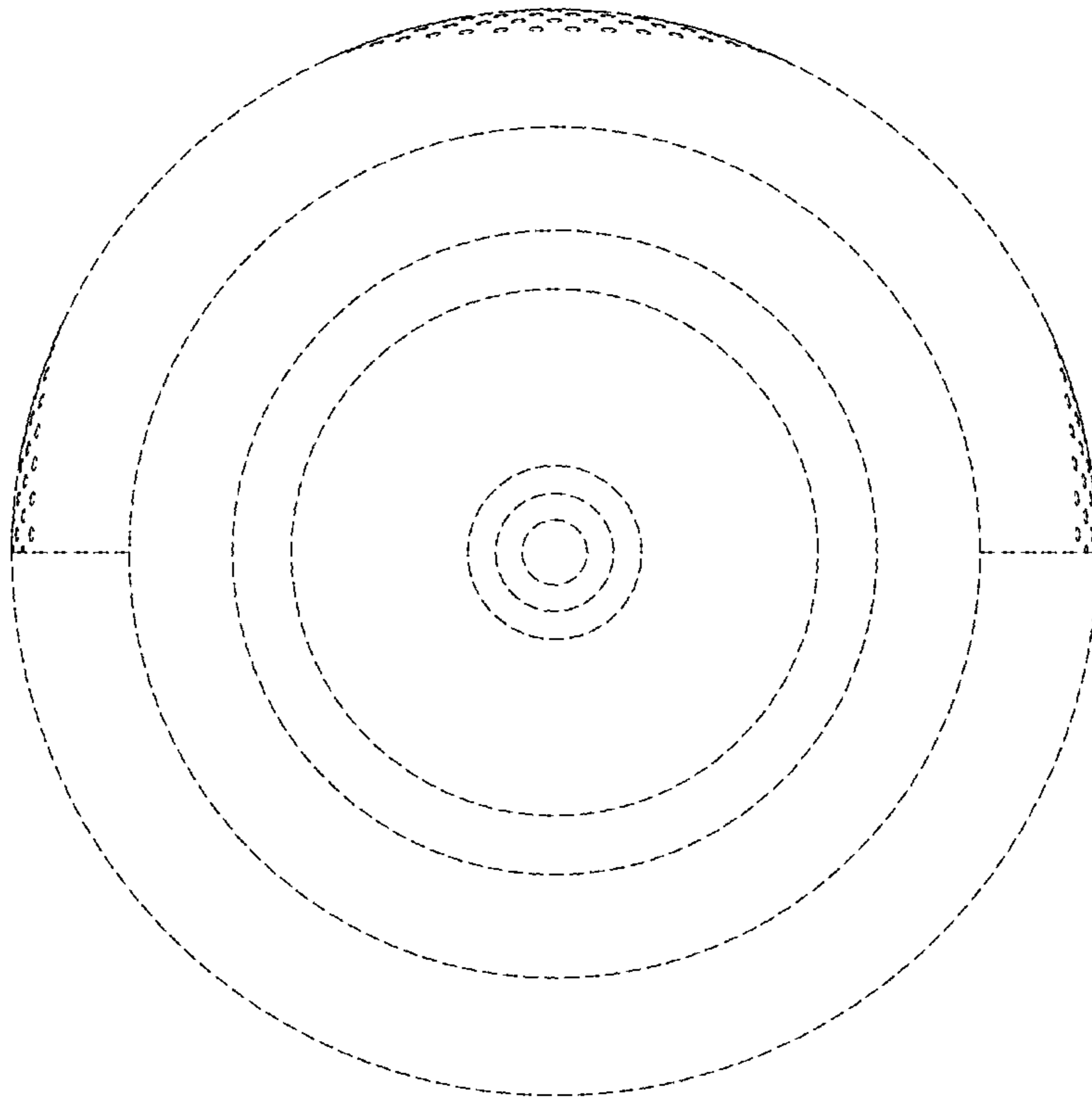


FIG. 8

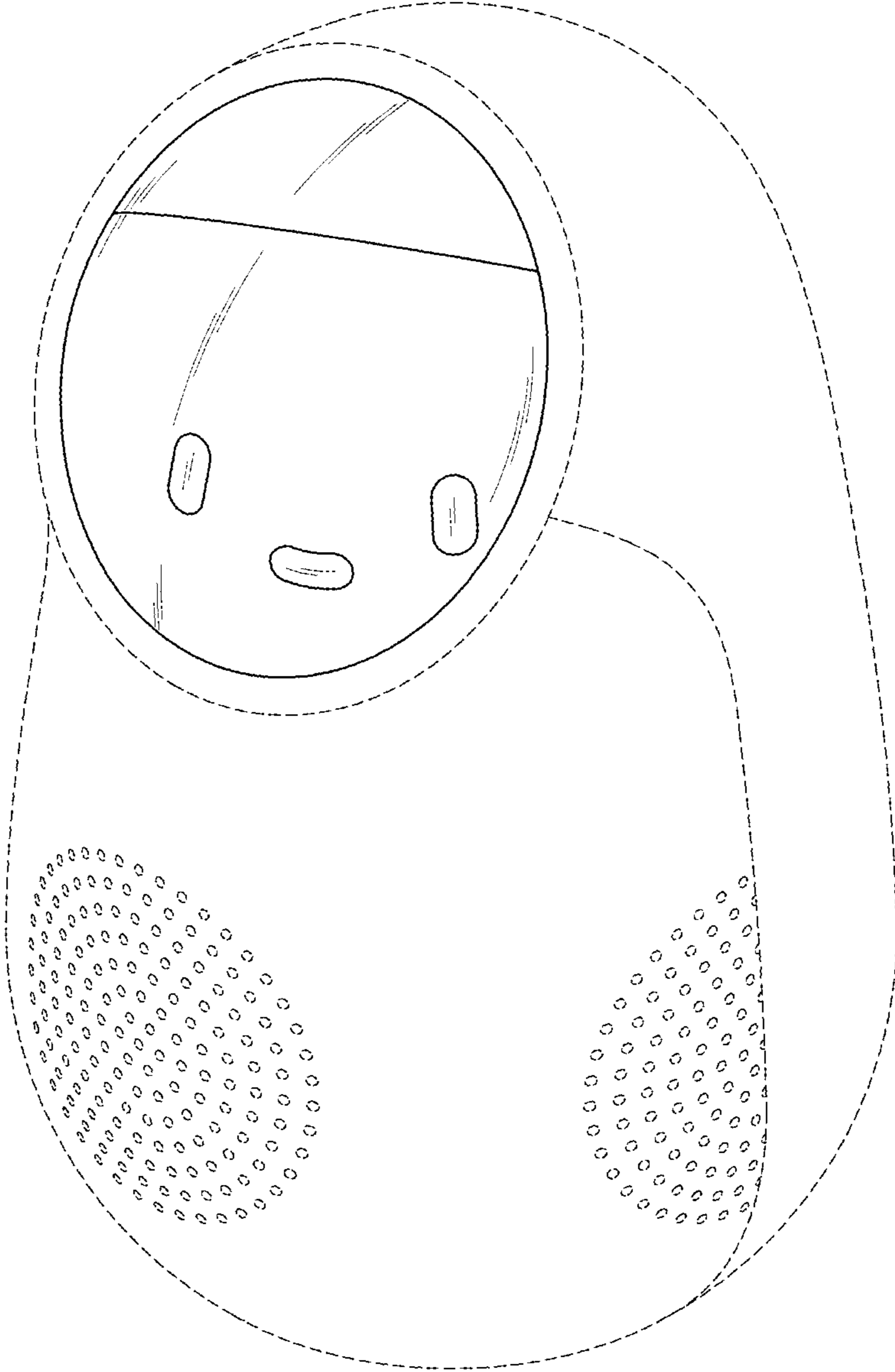


FIG. 9

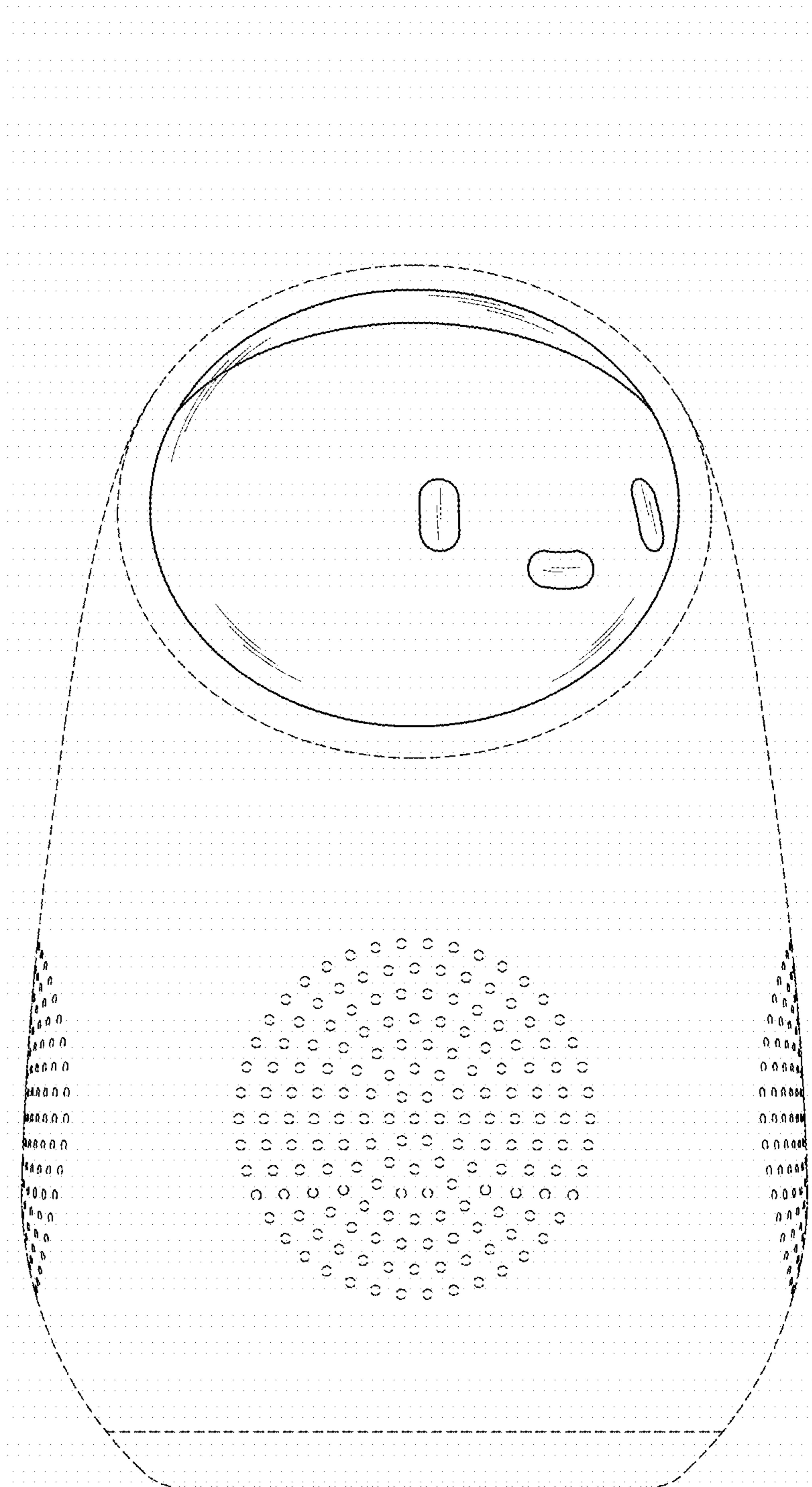


FIG. 10

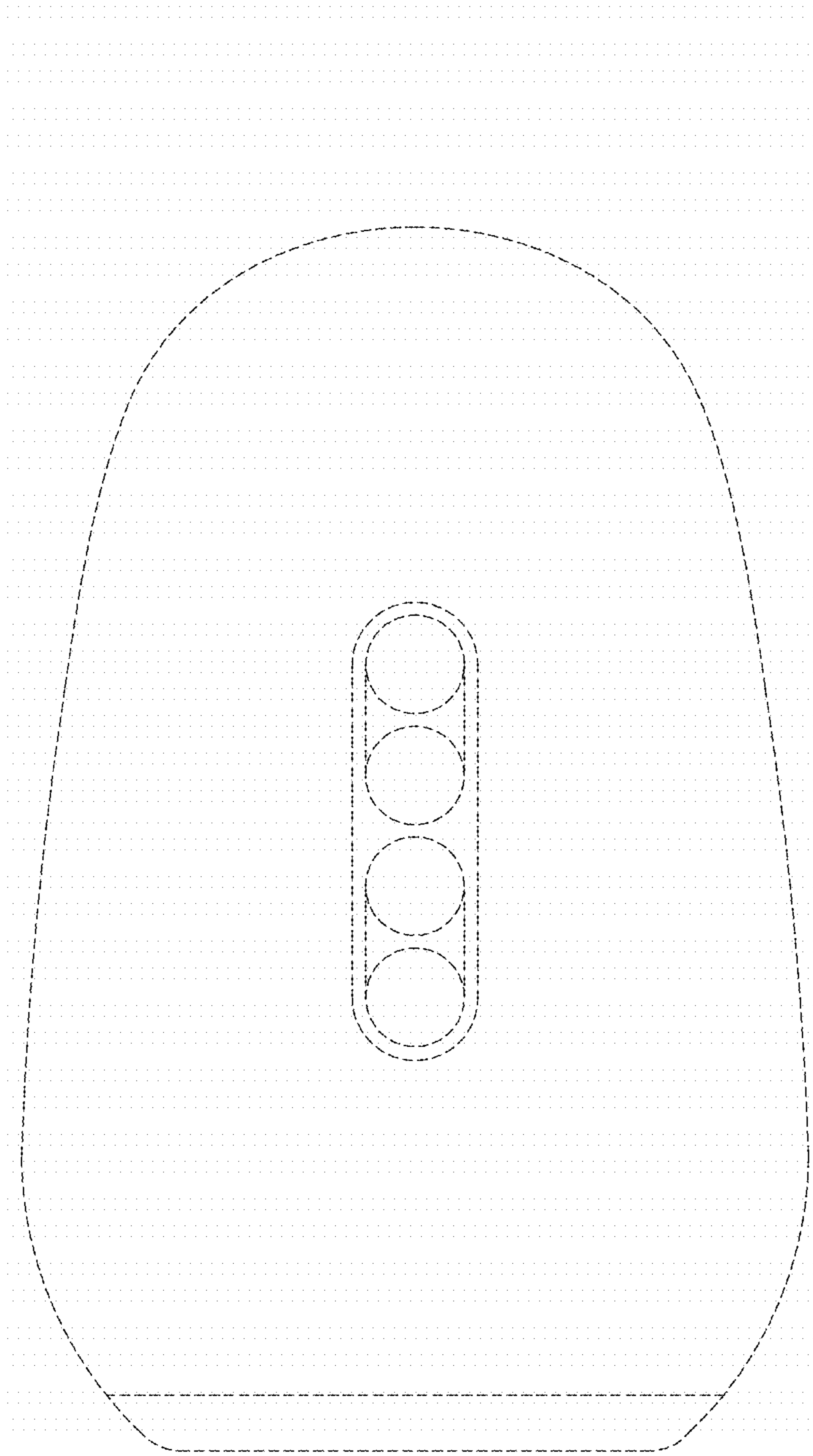


FIG. 11

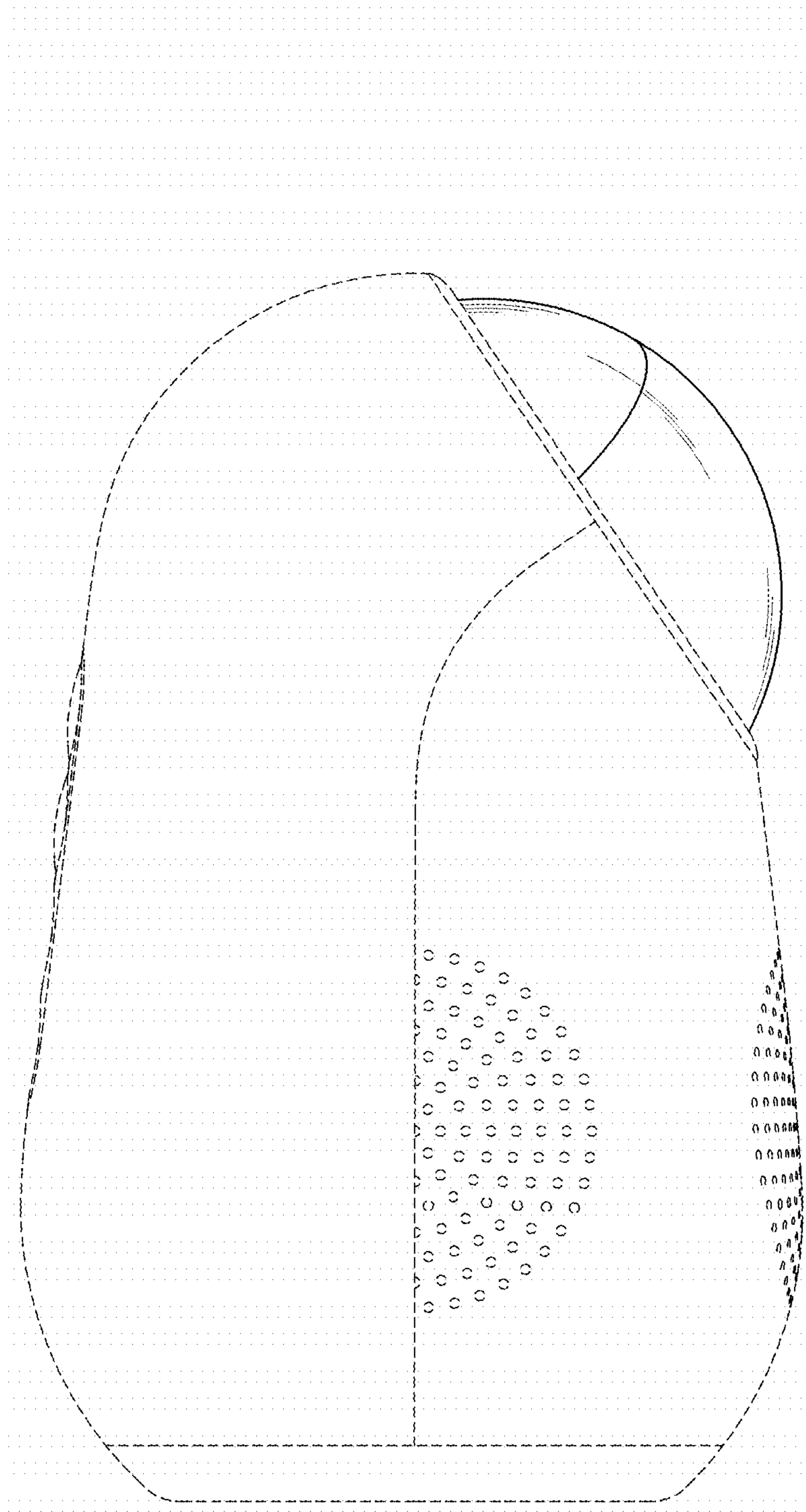


FIG. 12

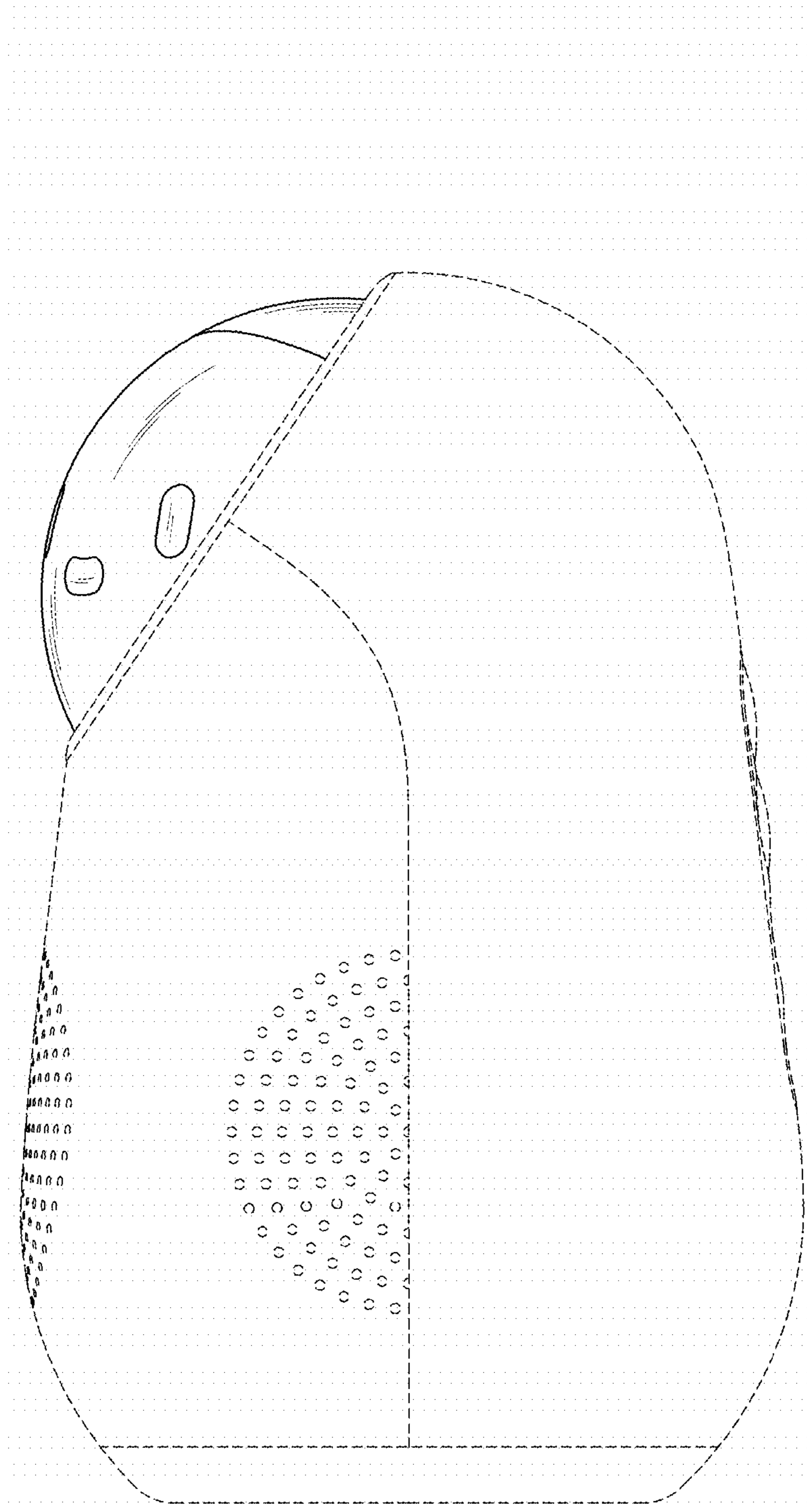


FIG. 13

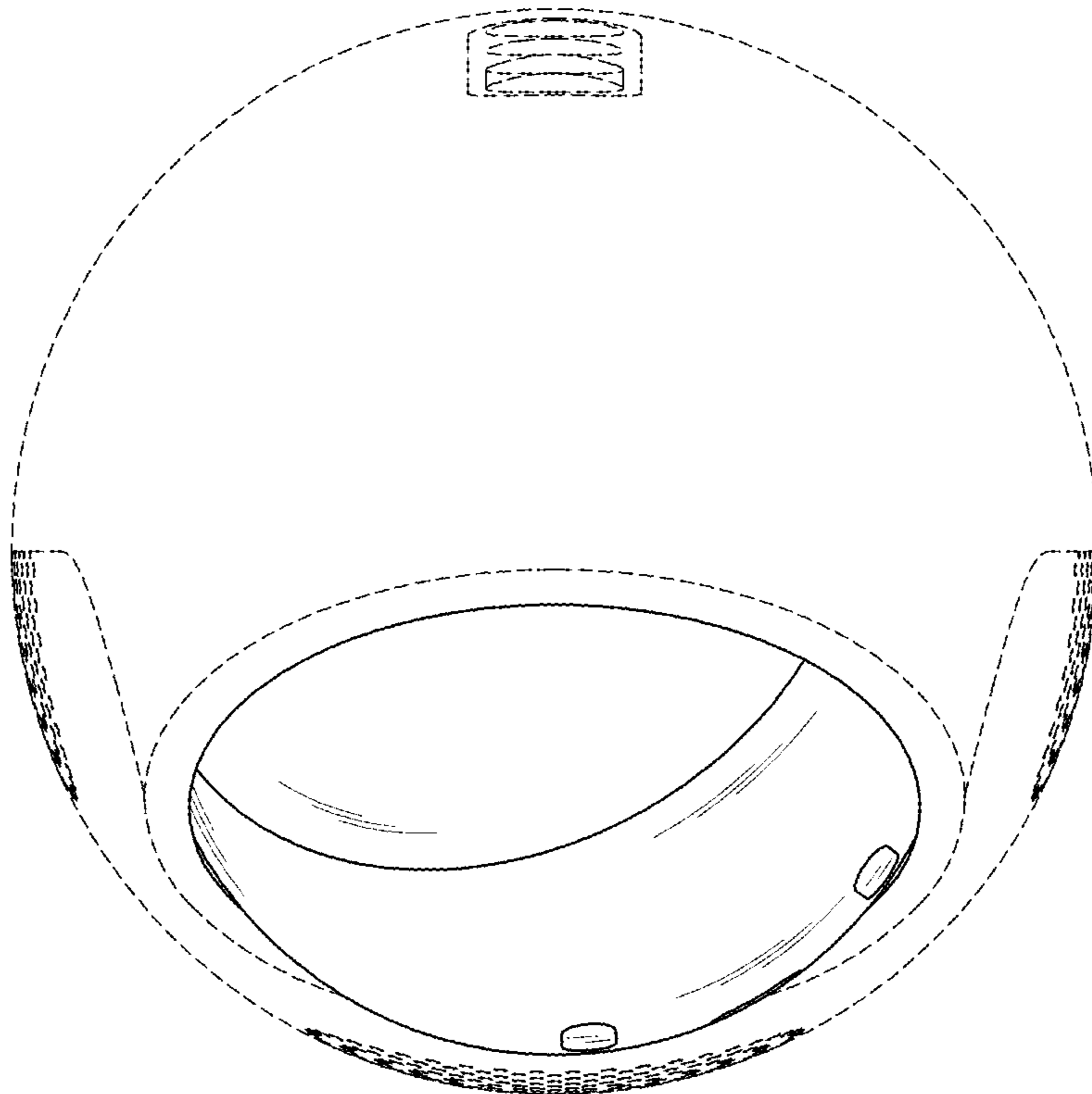


FIG. 14

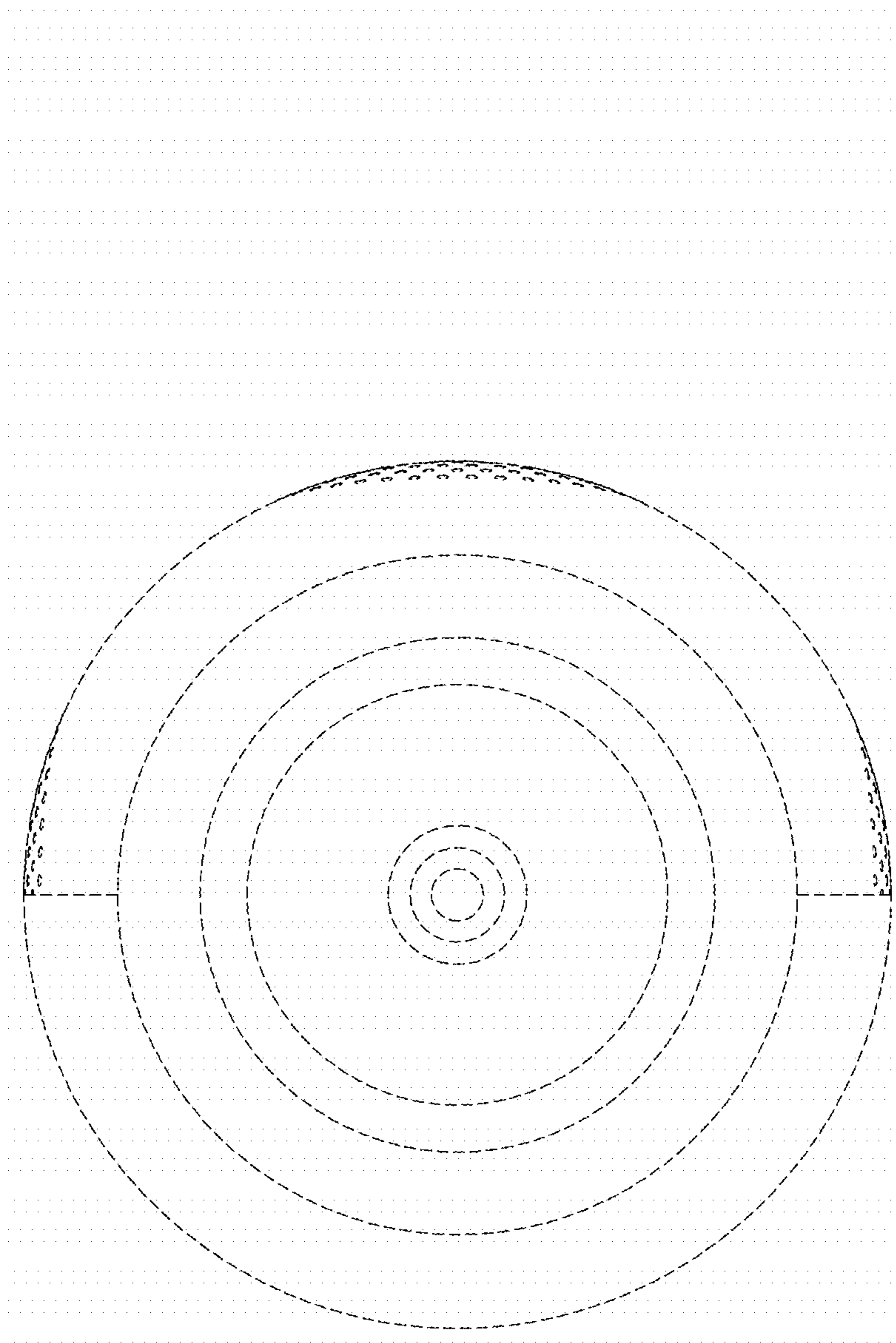


FIG. 15

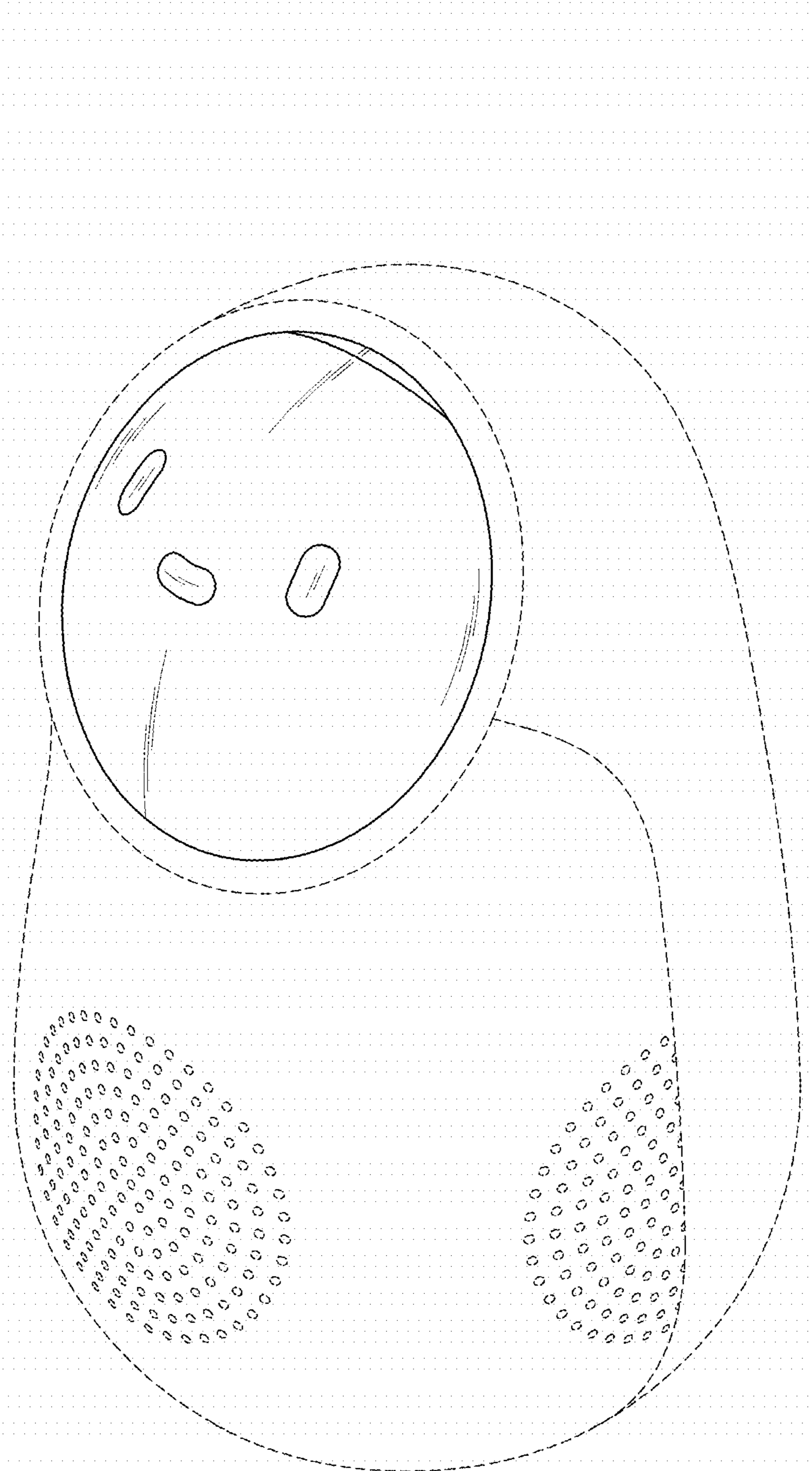


FIG. 16

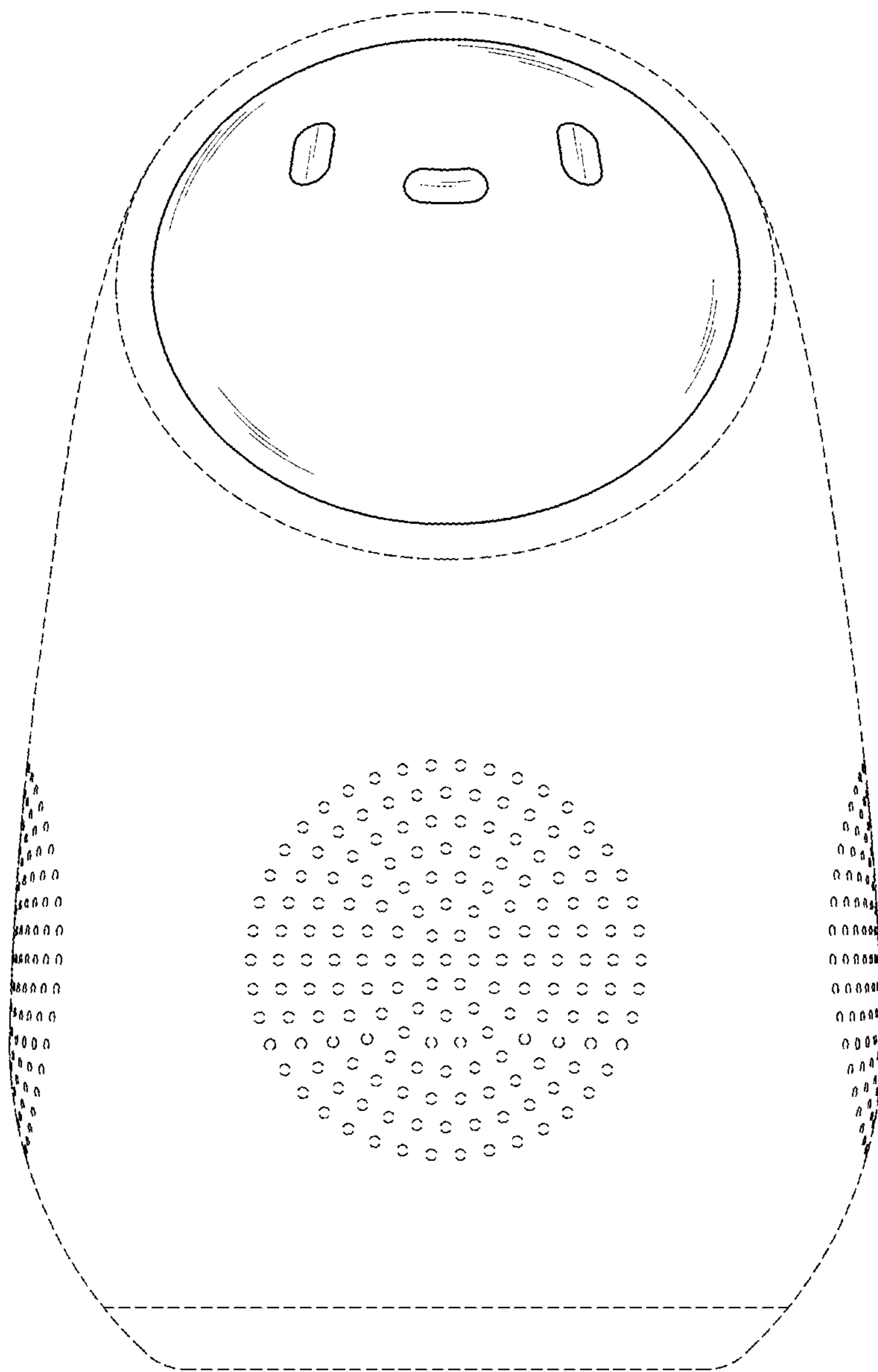


FIG. 17

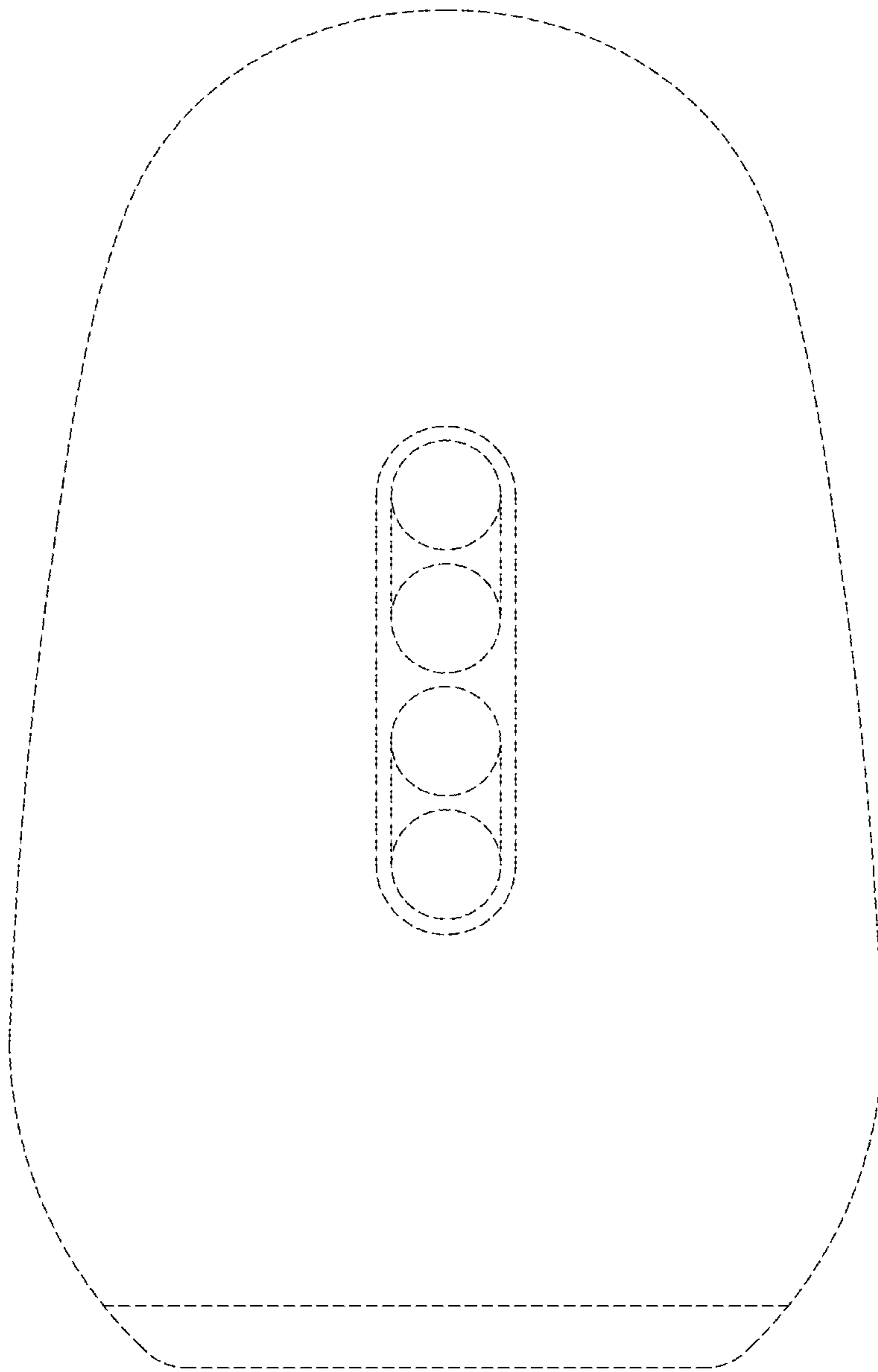


FIG. 18

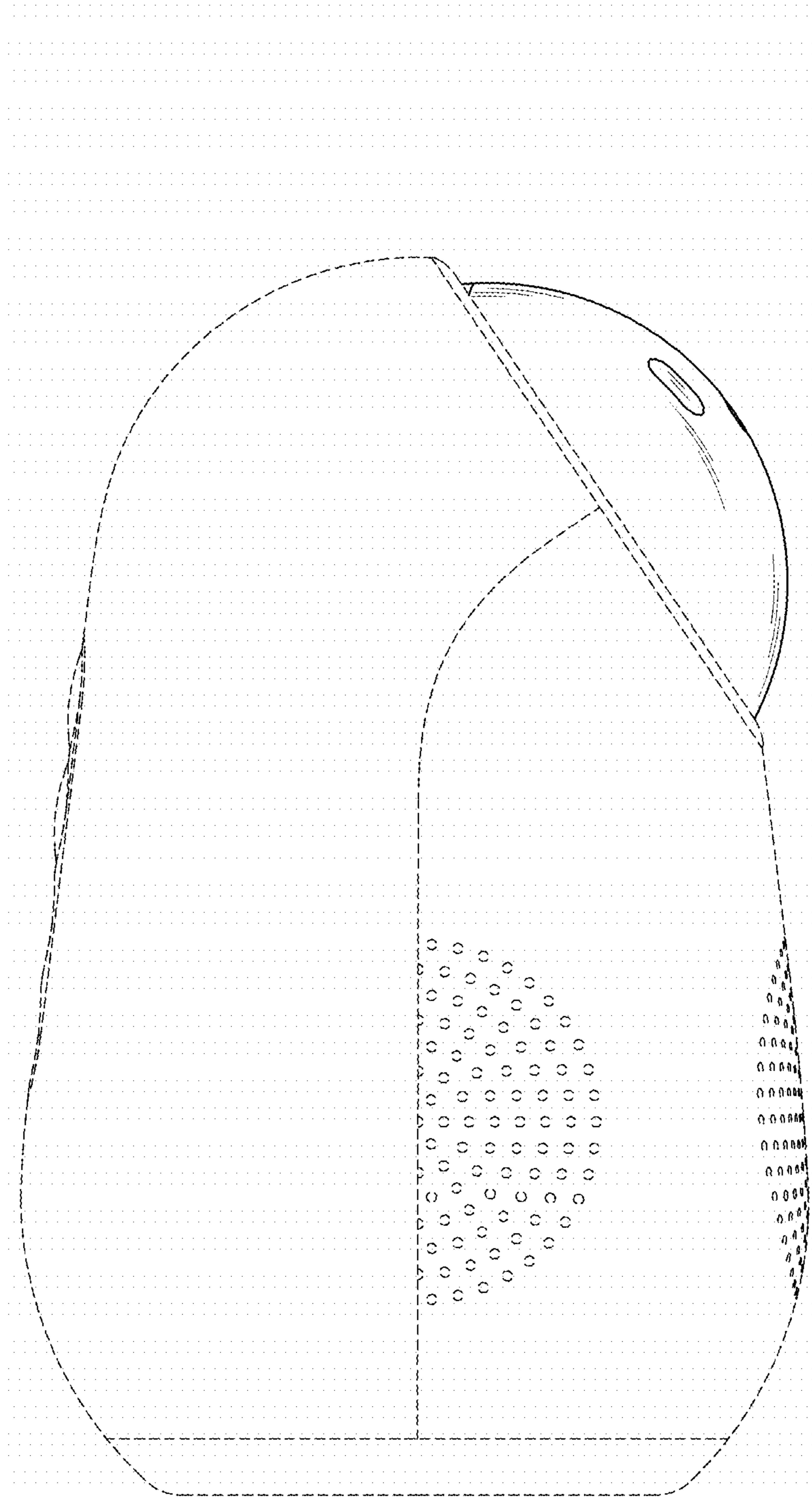


FIG. 19

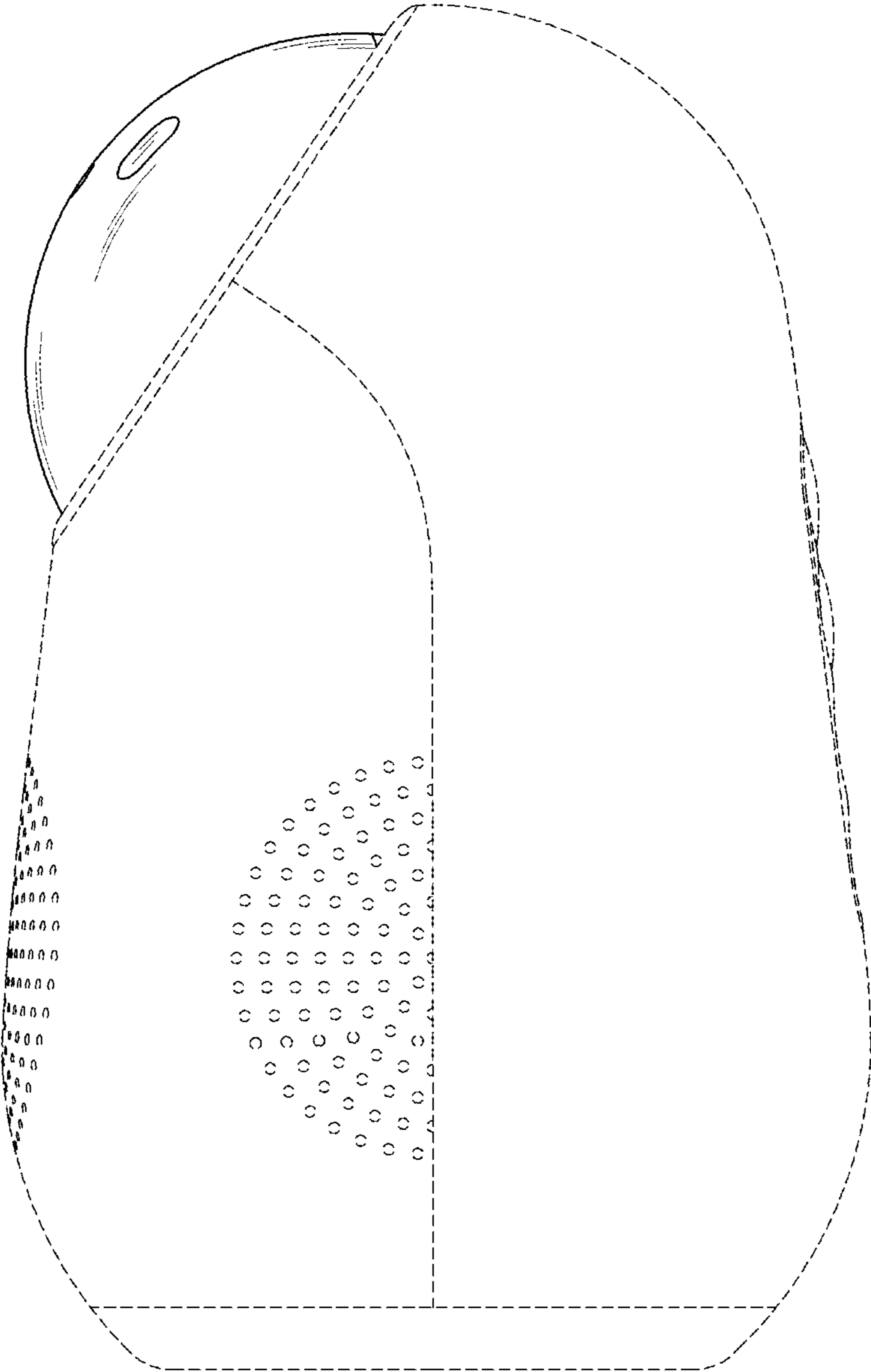


FIG. 20

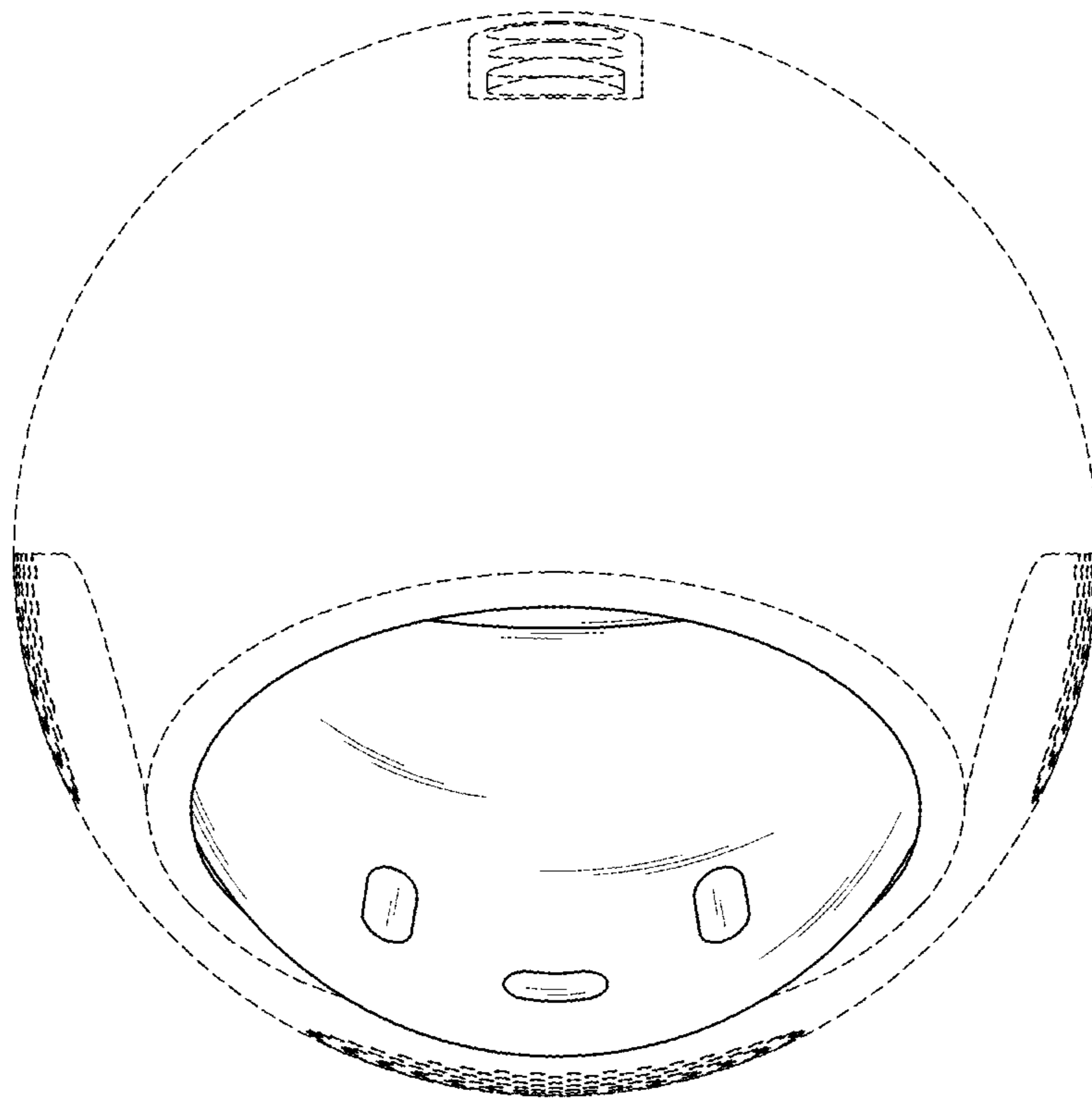


FIG. 21

