



US00D940100S

(12) **United States Design Patent**
Xie

(10) **Patent No.:** **US D940,100 S**
(45) **Date of Patent:** **** Jan. 4, 2022**

(54) **HEADSET**
(71) Applicant: **DONGGUAN LANYE ELECTRONIC TECHNOLOGY CO., LTD.**, Dongguan (CN)
(72) Inventor: **Rong Xie**, Dongguan (CN)
(73) Assignee: **DONGGUAN LANYE ELECTRONIC TECHNOLOGY CO., LTD.**, Dongguan (CN)

6,449,806 B1 * 9/2002 Engelhard H04M 1/05
2/209
D491,163 S * 6/2004 Green D14/205
7,106,873 B1 * 9/2006 Harrison A61N 1/36038
381/330
D538,261 S * 3/2007 Taylor D14/205
D541,255 S * 4/2007 Taylor D14/205
D573,581 S * 7/2008 Gondo D14/205
D604,266 S * 11/2009 Milde D14/205
D641,725 S * 7/2011 Chong D14/205
D641,727 S * 7/2011 Krauss D14/206
(Continued)

(**) Term: **15 Years**
(21) Appl. No.: **29/734,947**
(22) Filed: **May 16, 2020**
(51) **LOC (13) Cl.** **14-01**
(52) **U.S. Cl.**
USPC **D14/206; D14/226**
(58) **Field of Classification Search**
USPC D14/206, 226, 188, 192, 372, 225;
D29/112; 2/209; 381/380, 381, 375;
455/90.3, 575.1, 569.1
CPC H04R 1/1066; H04R 1/1016; H04R 5/033;
H04R 5/0335; H04R 25/00; H04R 25/02;
H04R 1/105; H04R 1/1058; H04R
1/1091; H04R 19/04; H04R 11/104;
G02B 27/017
See application file for complete search history.

FOREIGN PATENT DOCUMENTS

EM 007895727-0001 * 5/2020
EM 008321947-0001 * 12/2020
(Continued)

Primary Examiner — Paula Allen Greene
(74) *Attorney, Agent, or Firm* — Law Offices of Steven W. Weinrieb

(57) **CLAIM**

The ornamental design for a headset, as shown and described.

DESCRIPTION

FIG. 1 is a front, right side, top perspective view of a headset showing my new design;
FIG. 2 is a rear, left side, bottom perspective view thereof;
FIG. 3 is a front elevational view thereof;
FIG. 4 is a rear elevational view thereof;
FIG. 5 is a left side elevational view thereof;
FIG. 6 is a right side elevational view thereof;
FIG. 7 is a top plan view thereof; and,
FIG. 8 is bottom plan view thereof.
The broken lines immediately adjacent the shaded areas represent the bounds of the claimed design while all other broken lines are directed to environment; the broken lines form no part of the claimed design.

1 Claim, 8 Drawing Sheets

(56) **References Cited**
U.S. PATENT DOCUMENTS
3,786,519 A * 1/1974 Aileo A42B 3/10
2/6.2
5,794,127 A * 8/1998 Lansang H04R 1/1041
340/12.5
D398,309 S * 9/1998 Bergin D14/206
5,960,094 A * 9/1999 Jensen H04M 1/05
381/381
D418,509 S * 1/2000 Zeitman D14/192



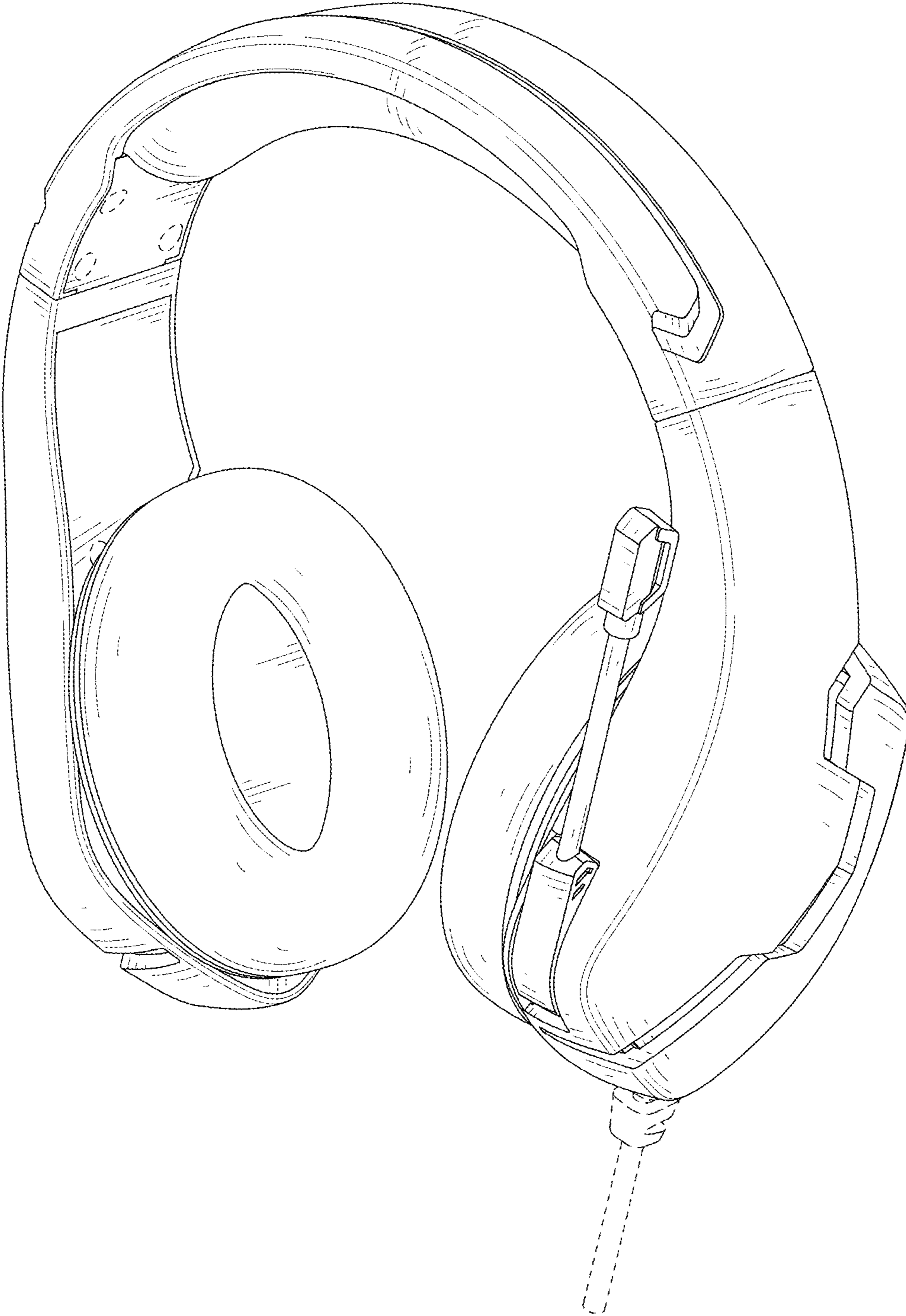


FIG. 1

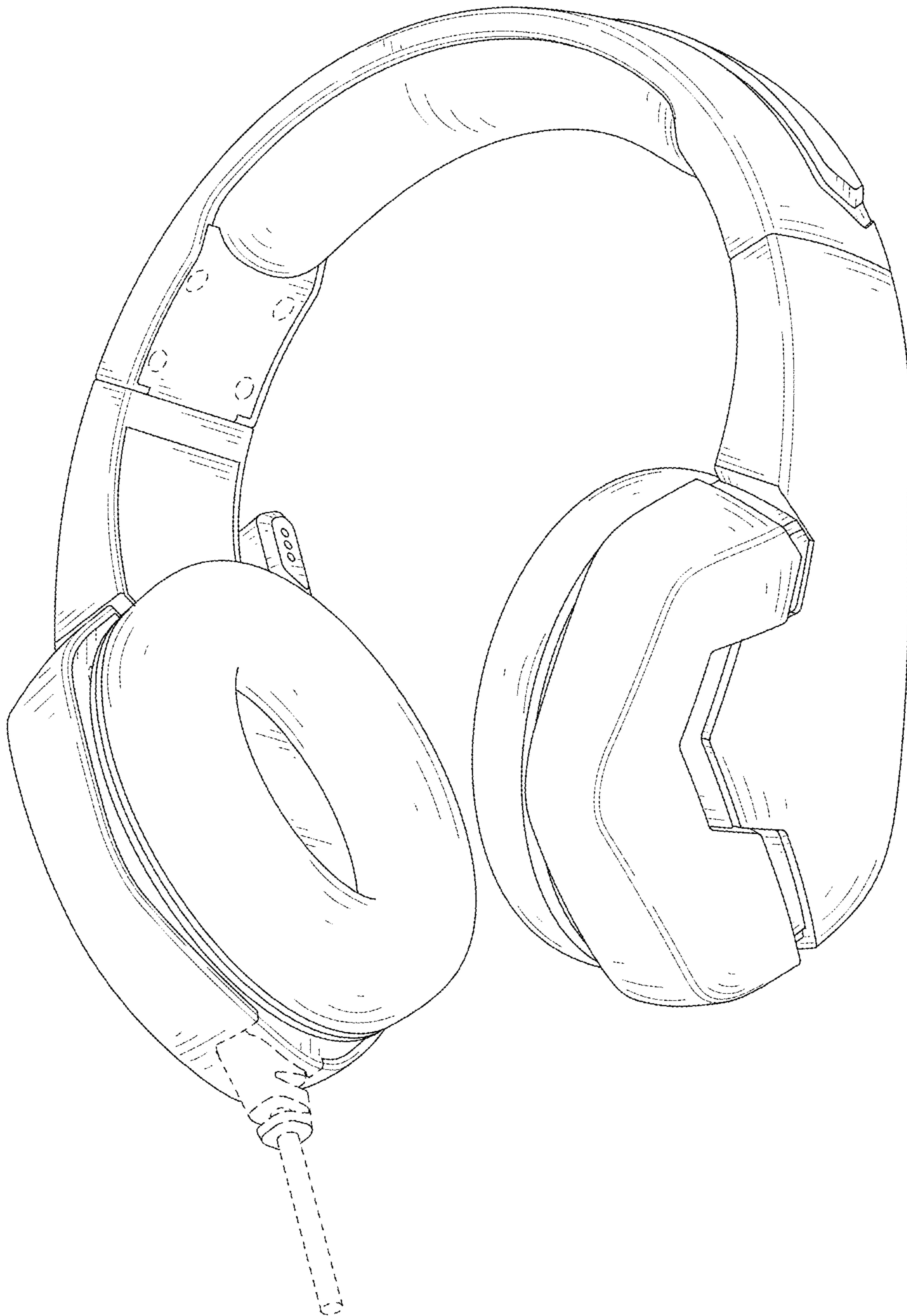


FIG. 2



FIG. 3



FIG. 4

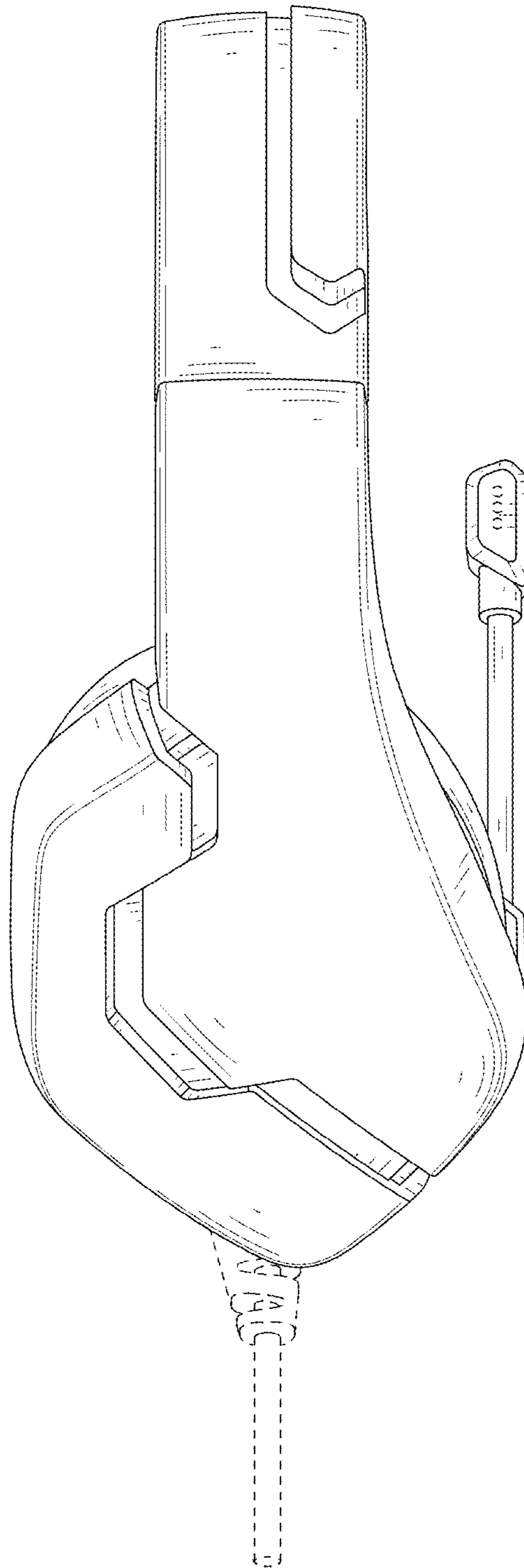


FIG. 5

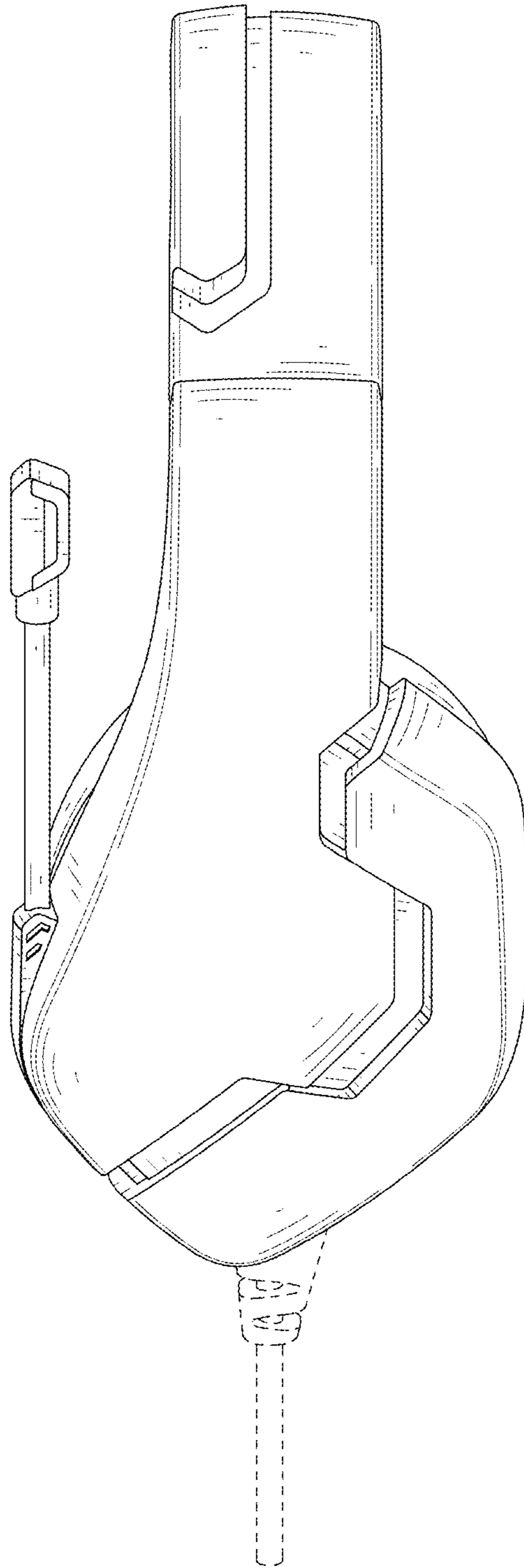


FIG. 6

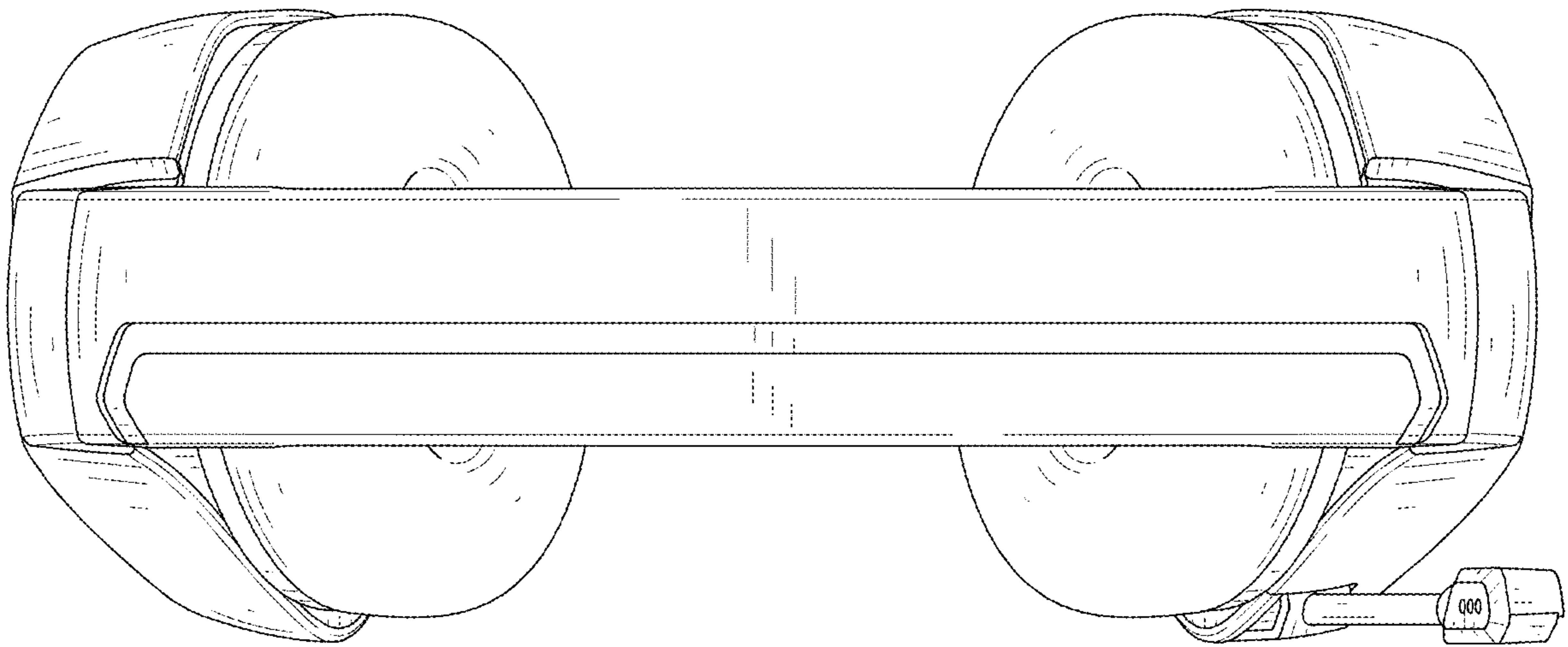


FIG. 7

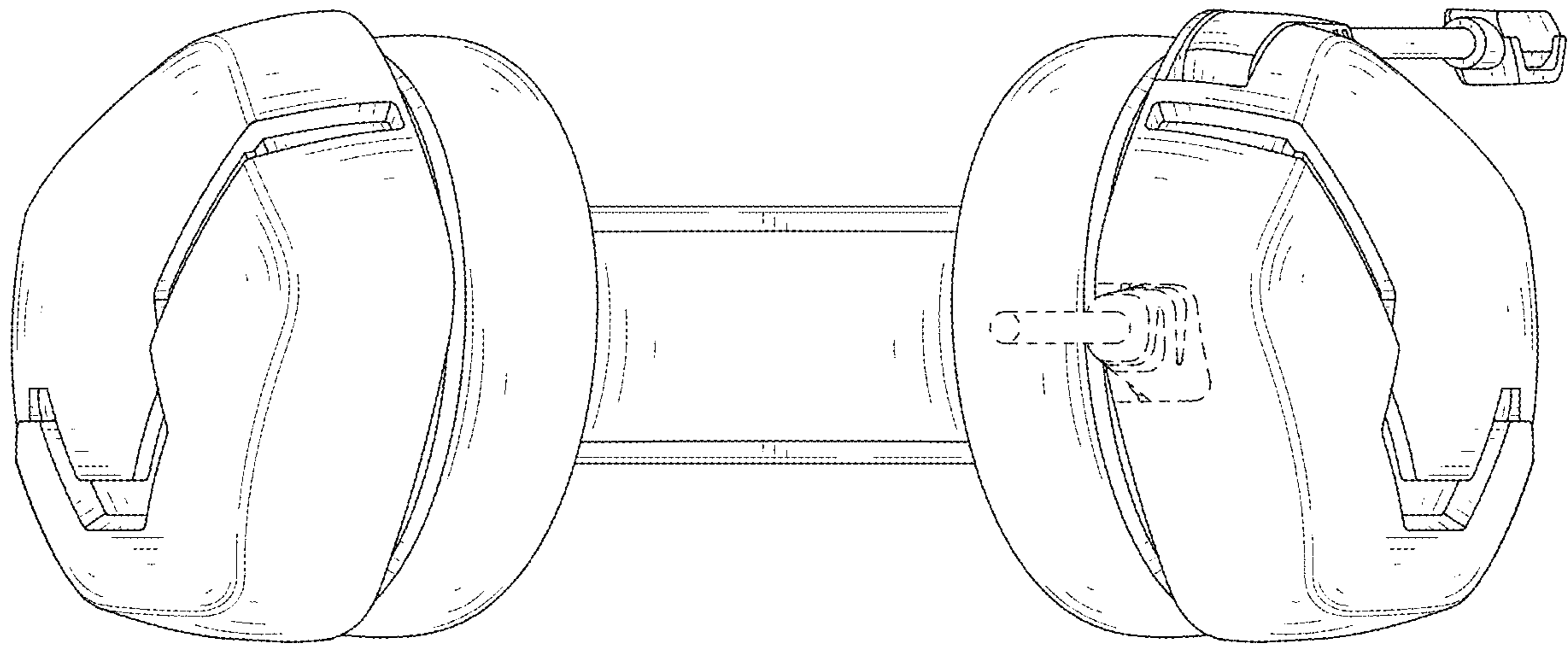


FIG. 8