



US00D940098S

(12) **United States Design Patent**
Liu et al.

(10) **Patent No.:** **US D940,098 S**
(45) **Date of Patent:** **** Jan. 4, 2022**

(54) **HEADSET**
(71) Applicant: **Liu jia Liu**, Shantou (CN)
(72) Inventors: **Liu jia Liu**, Shantou (CN); **Chunyi Cai**, Shantou (CN)
(73) Assignee: **Liu jia Liu**, Shantou (CN)
(**) Term: **15 Years**
(21) Appl. No.: **29/764,401**
(22) Filed: **Dec. 30, 2020**

D673,136 S * 12/2012 Kelly D14/205
D677,647 S * 3/2013 Lee D14/205
D691,984 S * 10/2013 Wang D14/205
D699,702 S * 2/2014 Chen D14/205
D731,457 S * 6/2015 Brunner D14/205
D732,504 S * 6/2015 Funayama D14/205
D757,679 S * 5/2016 Yan D14/205
D769,218 S * 10/2016 Mittal D14/205
D806,675 S * 1/2018 Fuglsang D14/206
D806,676 S * 1/2018 Fuglsang D14/206
D813,195 S * 3/2018 Huang D14/205
10,021,487 B2 * 7/2018 Yan H04R 5/0335
D843,345 S * 3/2019 Brunner D14/205
D845,928 S * 4/2019 Lee D14/206
D849,713 S * 5/2019 Hanggi D14/205
D858,483 S * 9/2019 Hu D14/205

(Continued)

(30) **Foreign Application Priority Data**

Nov. 24, 2020 (CN) 202030715425.7
(51) **LOC (13) Cl.** **14-01**
(52) **U.S. Cl.**
USPC **D14/205**; D14/207
(58) **Field of Classification Search**
USPC D14/205, 207, 188, 192; D29/112;
2/209; 381/380, 381, 374, 74; D21/617;
446/189; 455/90.3, 575.1, 569.1
CPC H04R 25/00; H04R 25/02; H04R 1/1066;
H04R 1/1016; H04R 5/033; H04R
5/0335; H04R 1/02; H04R 1/10; H04R
1/1041
See application file for complete search history.

(56) **References Cited**

U.S. PATENT DOCUMENTS

D351,172 S * 10/1994 Nakamura D14/205
D582,890 S * 12/2008 Koza D14/205
D637,176 S * 5/2011 Brunner D14/205
D652,406 S * 1/2012 Lee D14/205
D657,344 S * 4/2012 Brunner D14/205
D660,823 S * 5/2012 Hardi D14/205
D660,824 S * 5/2012 Hardi D14/205
D663,716 S * 7/2012 Hardi D14/205

FOREIGN PATENT DOCUMENTS

EM 004163384-0001 * 8/2017
EM 007685730-0001 * 2/2020

(Continued)

Primary Examiner — Paula Allen Greene

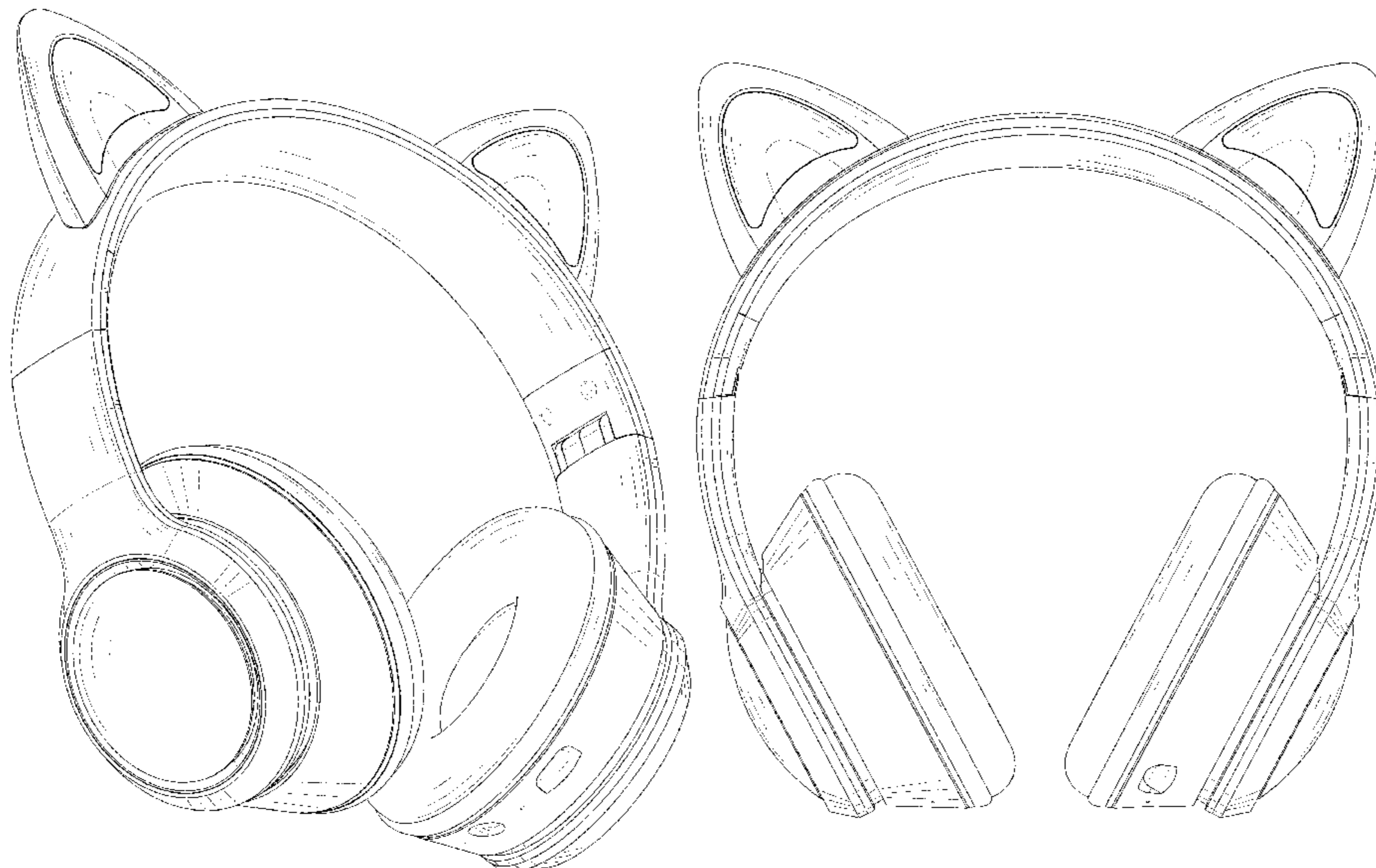
(57) **CLAIM**

The ornamental design for a headset, as shown and described.

DESCRIPTION

FIG. 1 is a perspective view of a headset showing my new design;
FIG. 2 is another perspective view thereof;
FIG. 3 is a front elevational view thereof;
FIG. 4 is a rear elevational view thereof;
FIG. 5 is a left side elevational view thereof;
FIG. 6 is a right side elevational view thereof;
FIG. 7 is a top plan view thereof; and,
FIG. 8 is a bottom plan view thereof.
The broken lines in the drawings depict portions of the headset that form no part of the claimed design.

1 Claim, 8 Drawing Sheets



(56)

References Cited

U.S. PATENT DOCUMENTS

D870,069	S	*	12/2019	Hu	D14/206
D879,066	S	*	3/2020	Chen	D14/205
D879,742	S	*	3/2020	Hu	D14/205
D881,840	S	*	4/2020	Chen	D14/205
D909,989	S	*	2/2021	Lu	D14/205
D913,988	S	*	3/2021	Bellham	D14/205
D914,635	S	*	3/2021	Tong	D14/205
D921,606	S	*	6/2021	Wang	D14/205
D925,489	S	*	7/2021	Brunner	D14/205
D928,115	S	*	8/2021	Huang	D14/205
D933,043	S	*	10/2021	Liu	D14/206
2006/0027245	A1	*	2/2006	Spector	A45D 8/36 132/273
2006/0104471	A1	*	5/2006	Tsunoda	H04R 1/2803 381/374
2009/0032051	A1	*	2/2009	Defenbaugh	A45D 8/20 132/277
2015/0139472	A1	*	5/2015	Solomon	H04R 1/1008 381/378

FOREIGN PATENT DOCUMENTS

EM	008275812-0001	*	11/2020
EM	008276281-0001	*	11/2020
EM	008538060-0001	*	5/2021
EM	008593172-0001	*	6/2021
GB	6103038	*	10/2020

* cited by examiner

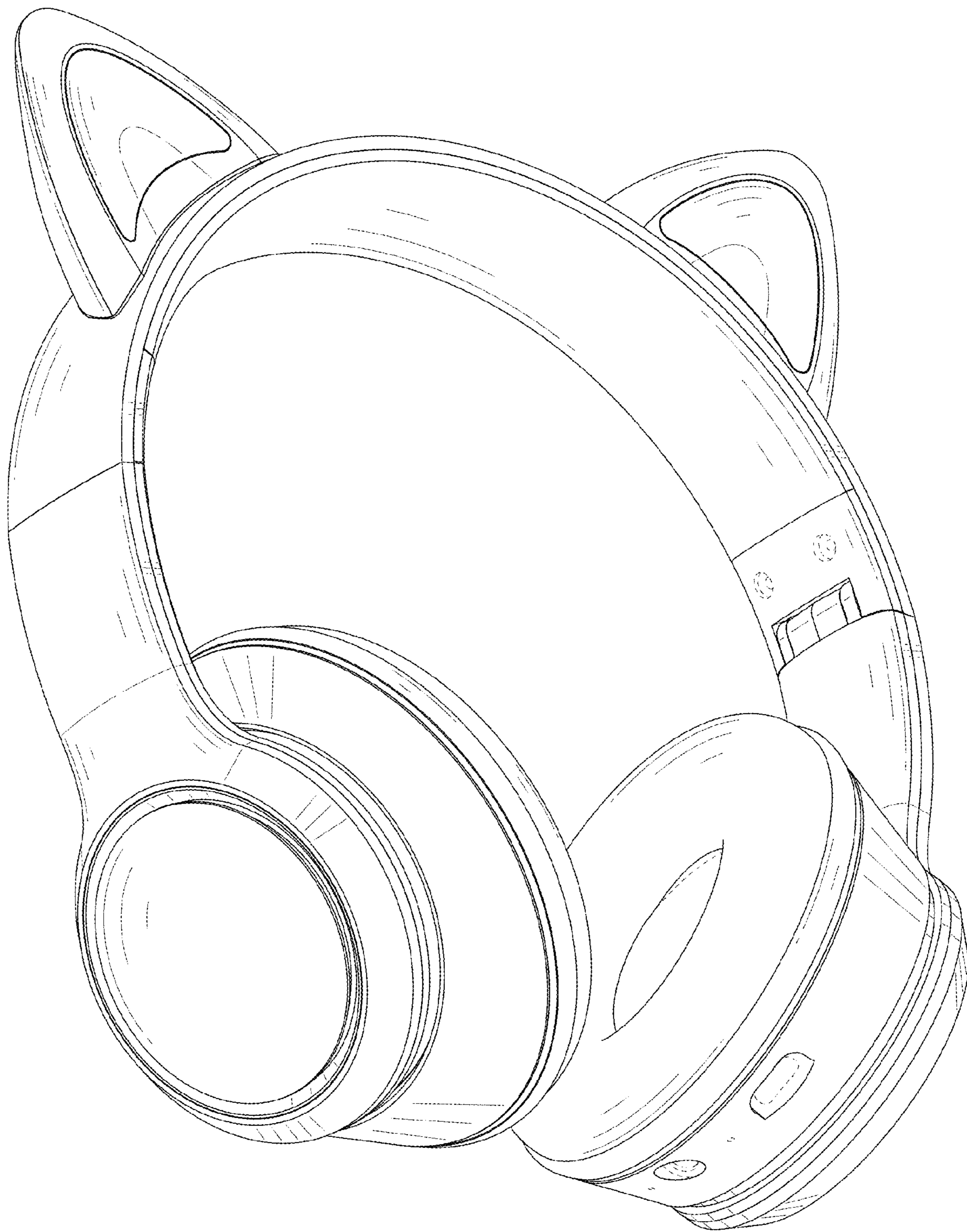


FIG. 1

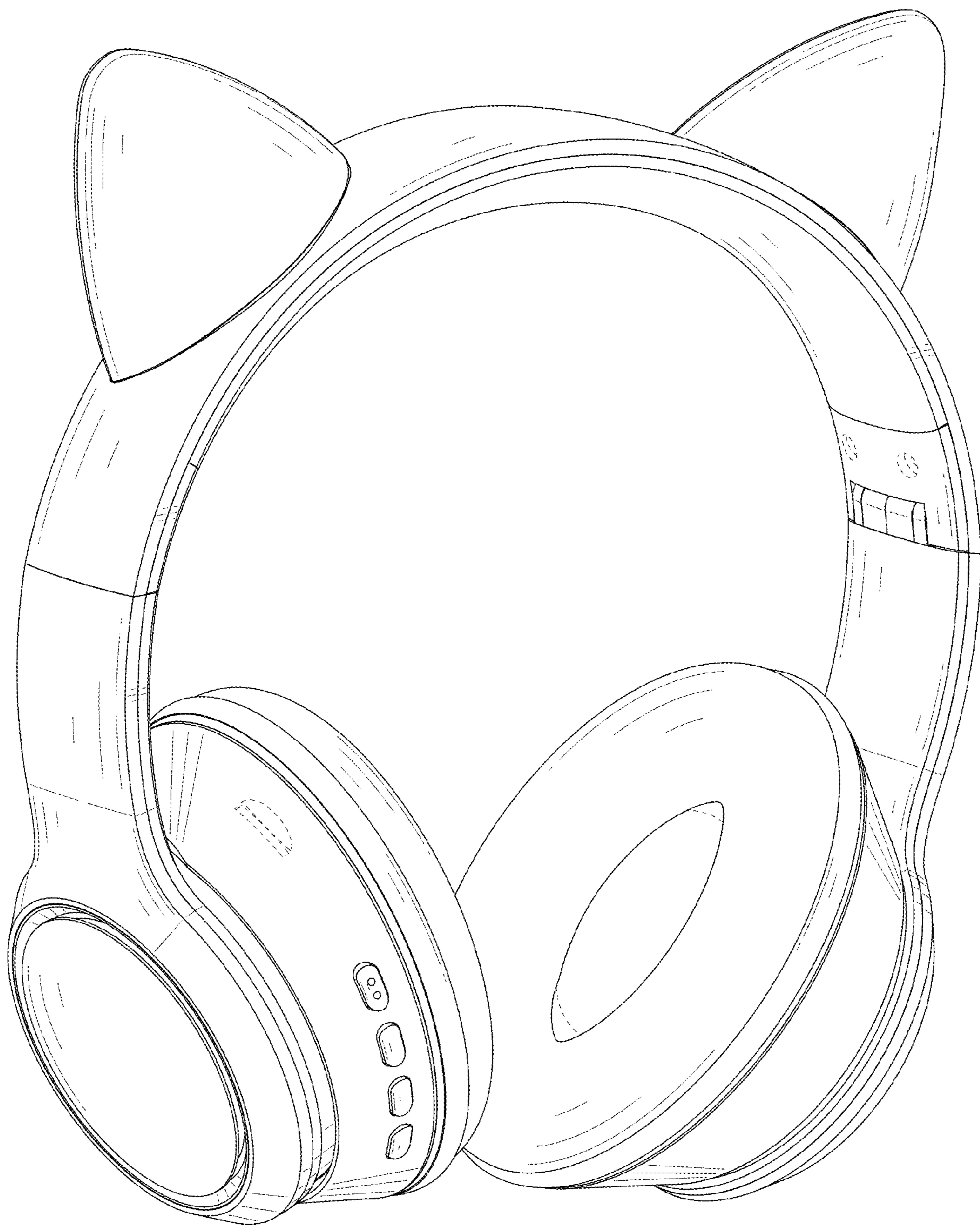


FIG. 2



FIG. 3



FIG. 4

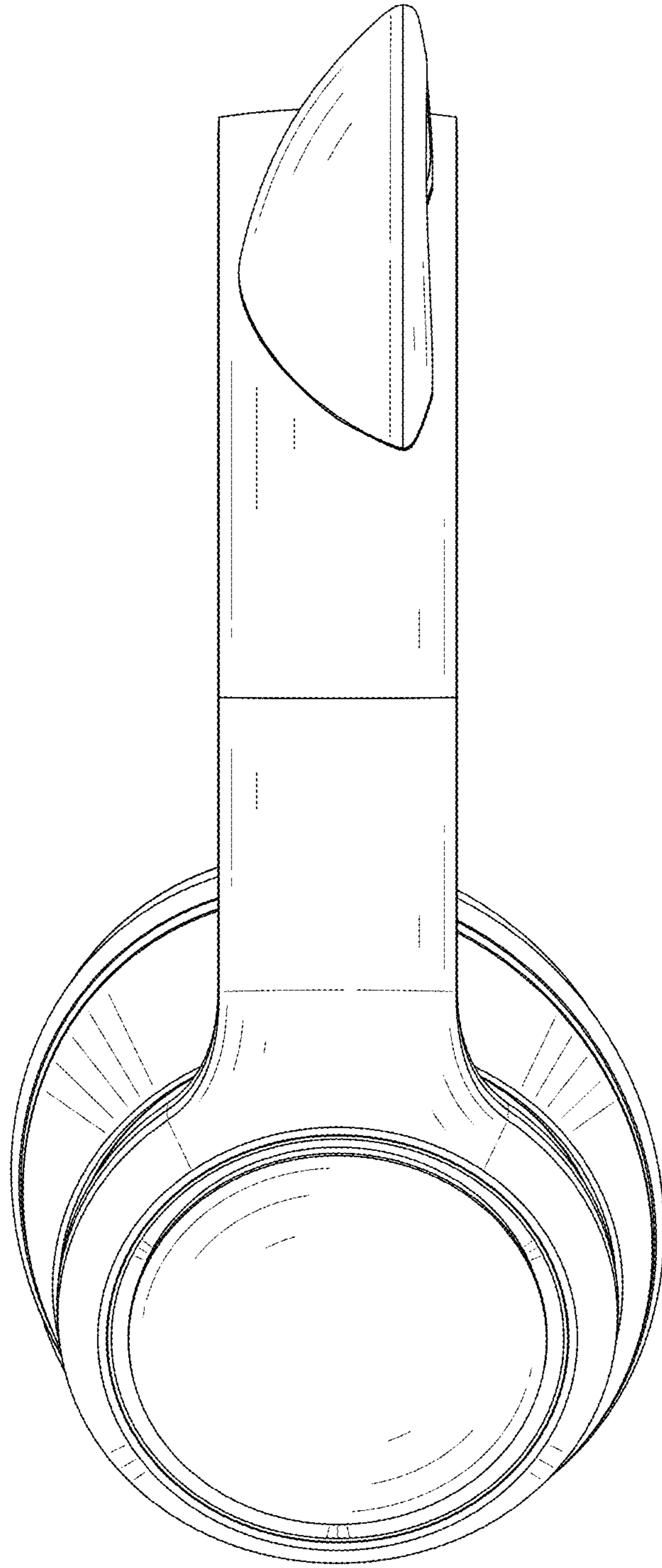


FIG. 5

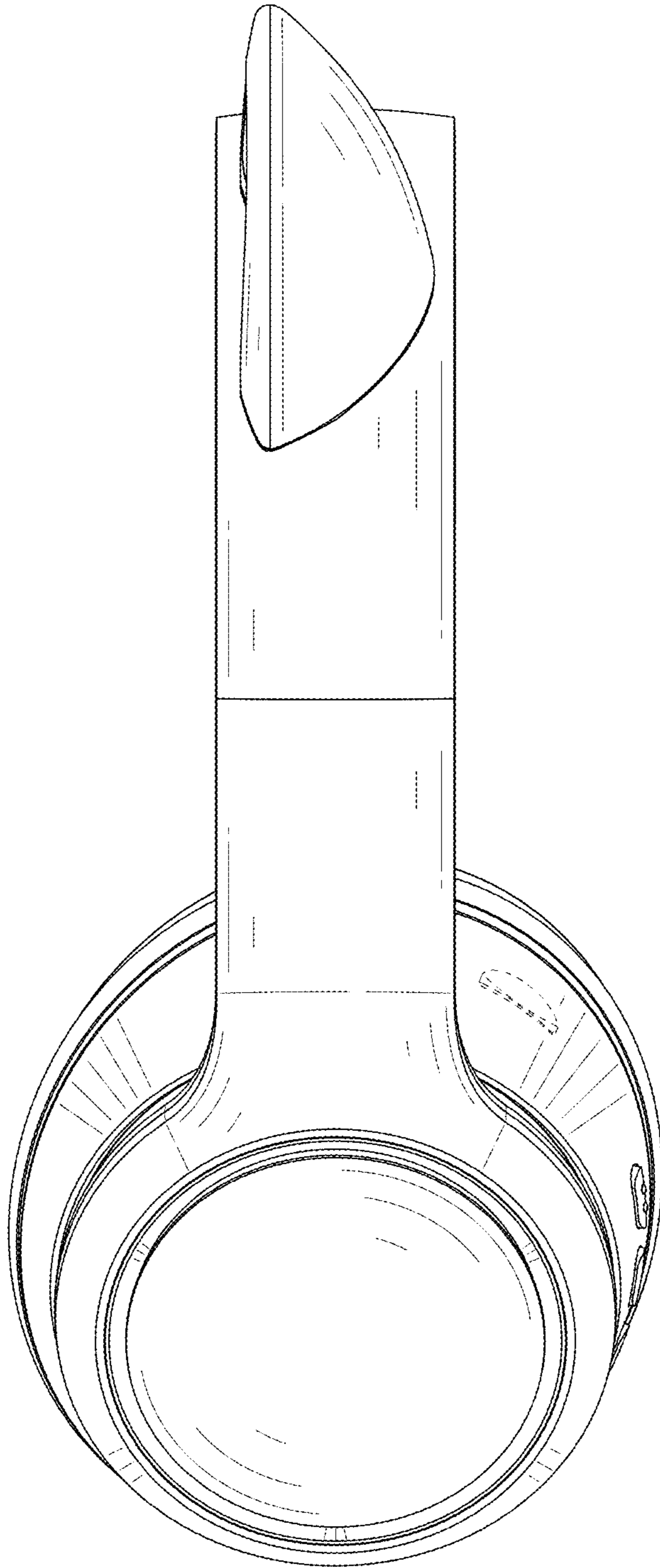


FIG. 6

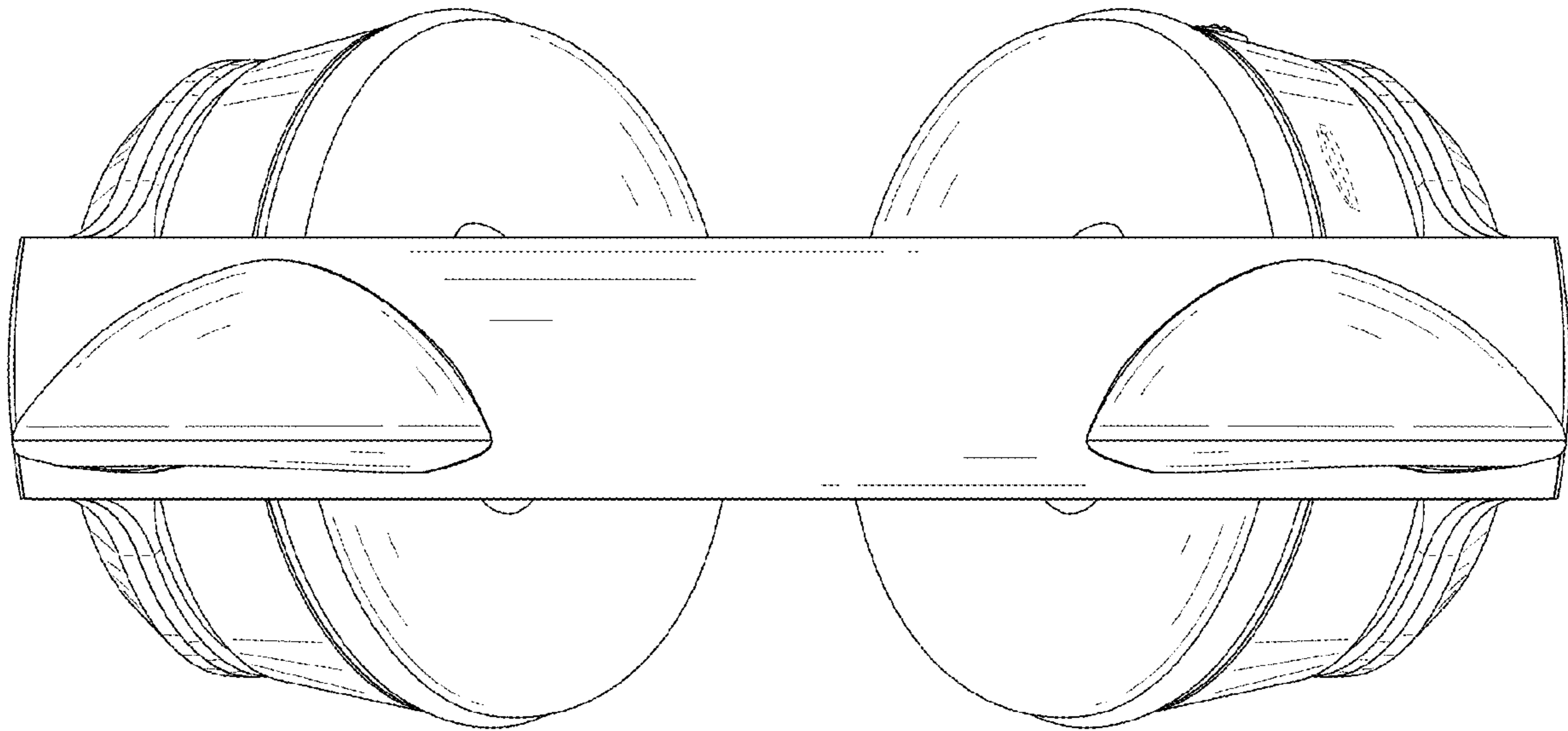


FIG. 7

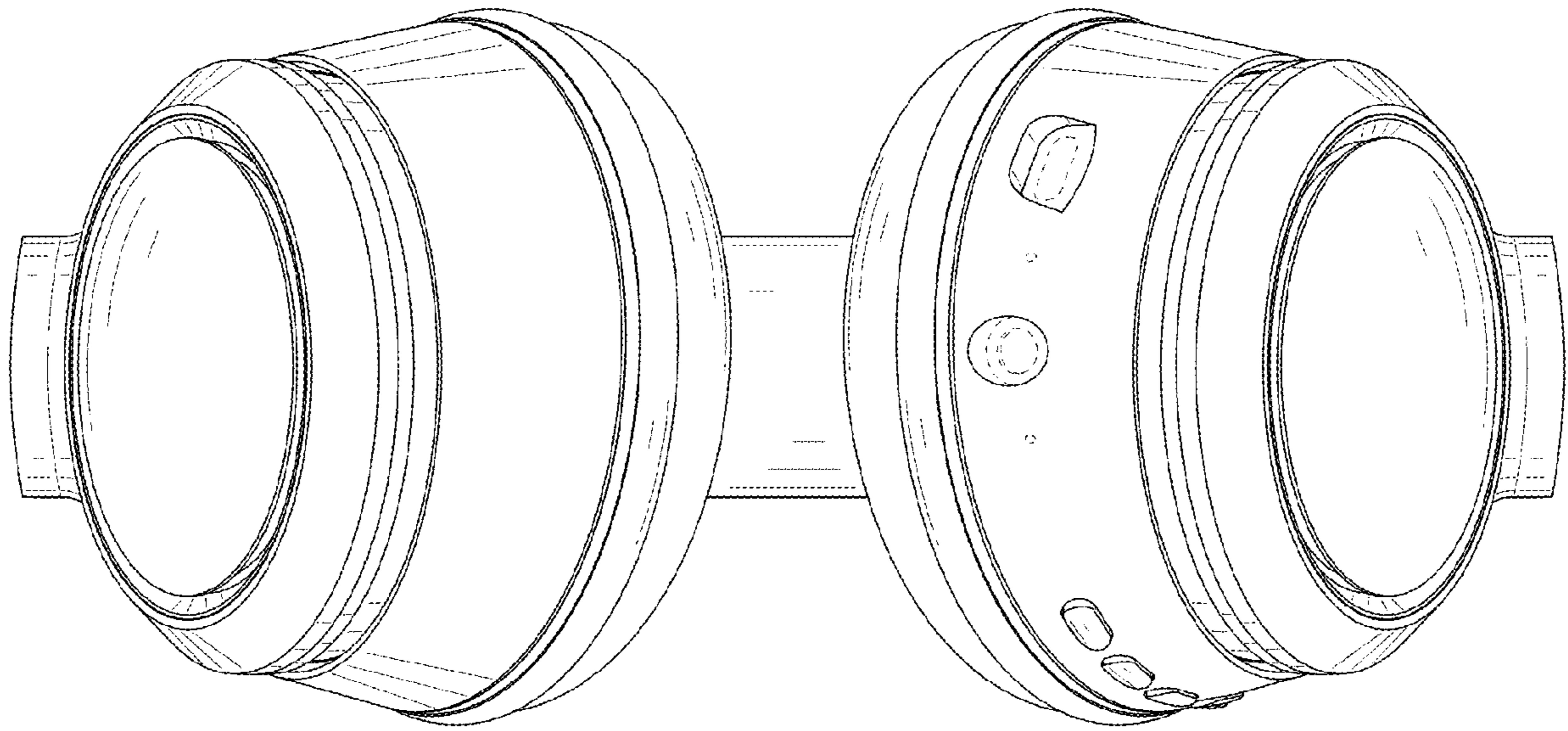


FIG. 8