



US00D940096S

(12) **United States Design Patent**  
**Pedersen**

(10) **Patent No.:** **US D940,096 S**

(45) **Date of Patent:** **\*\* Jan. 4, 2022**

(54) **COMMUNICATIONS EQUIPMENT**

(71) Applicant: **GN AUDIO A/S**, Ballerup (DK)

(72) Inventor: **Rasmus Trudslev Pedersen**, Ballerup (DK)

(73) Assignee: **GN Audio A/S**, Ballerup (DK)

(\*\*) Term: **15 Years**

(21) Appl. No.: **29/734,572**

(22) Filed: **May 13, 2020**

(30) **Foreign Application Priority Data**

Nov. 18, 2019 (EM) ..... 007257712-1-2

(51) **LOC (13) Cl.** ..... **14-03**

(52) **U.S. Cl.**  
USPC ..... **D14/155**

(58) **Field of Classification Search**  
USPC ..... D14/167, 154, 168, 188, 496, 156, 160,  
D14/161, 162, 163, 164, 165, 158, 341,  
D14/346, 342, 345, 137, 155, 218, 225;  
D16/208; D26/38; 455/351, 350;  
D10/104.1, 106, 65  
CPC .... H04B 1/385; H04M 1/6091; H04M 1/6066  
See application file for complete search history.

(56) **References Cited**

**U.S. PATENT DOCUMENTS**

D461,176 S \* 8/2002 Siokola ..... D14/155  
D545,809 S \* 7/2007 Griffin ..... D14/155

D546,811 S \* 7/2007 Neu ..... D14/155  
D549,210 S \* 8/2007 Neu ..... D14/155  
D549,684 S \* 8/2007 Lee ..... D14/155  
D560,649 S \* 1/2008 Hsu ..... D14/155  
D570,327 S \* 6/2008 Ikeda ..... D14/155  
D618,240 S \* 6/2010 Larmour ..... D14/358  
D759,003 S \* 6/2016 Daniel ..... D14/240  
D868,742 S \* 12/2019 Cao ..... D14/217  
D881,153 S \* 4/2020 Fang ..... D14/155  
D912,005 S \* 3/2021 Zhang ..... D14/155

\* cited by examiner

*Primary Examiner* — Austin Murphy  
(74) *Attorney, Agent, or Firm* — Hamre, Schumann,  
Mueller & Larson, P.C.

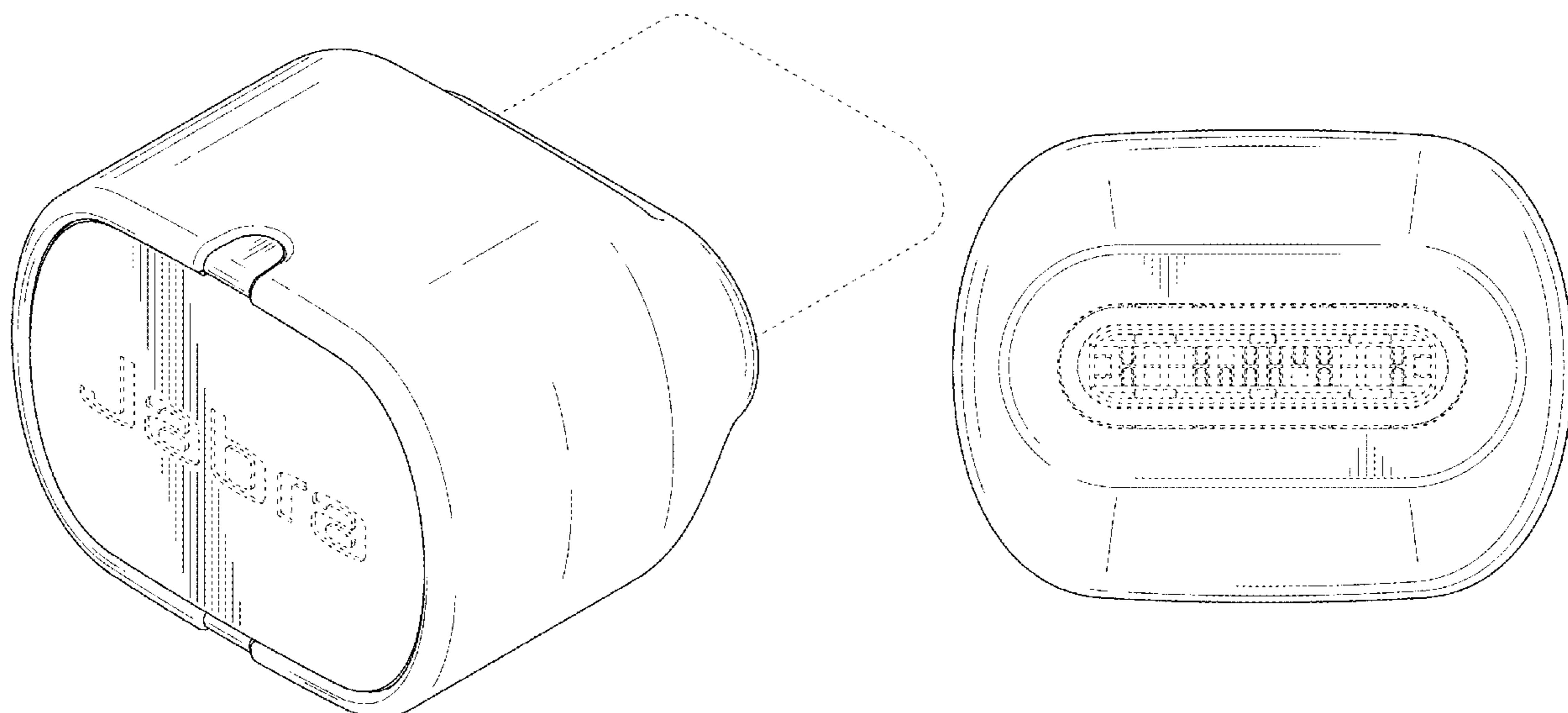
(57) **CLAIM**

The ornamental design for a communications equipment, as shown and described.

**DESCRIPTION**

FIG. 1 is a top front right perspective view of the communications equipment.  
FIG. 2 is a bottom rear left perspective view thereof.  
FIG. 3 is a front plan view thereof.  
FIG. 4 is a rear plan view thereof.  
FIG. 5 is a left plan view thereof.  
FIG. 6 is a right plan view thereof.  
FIG. 7 is top plan view thereof; and,  
FIG. 8 is a bottom plan view thereof.  
The features shown in broken lines depict environmental subject matter only and form no part of the claimed design. Likewise, any portion which is bounded by broken boundary lines is not to be considered part of the claim.

**1 Claim, 6 Drawing Sheets**



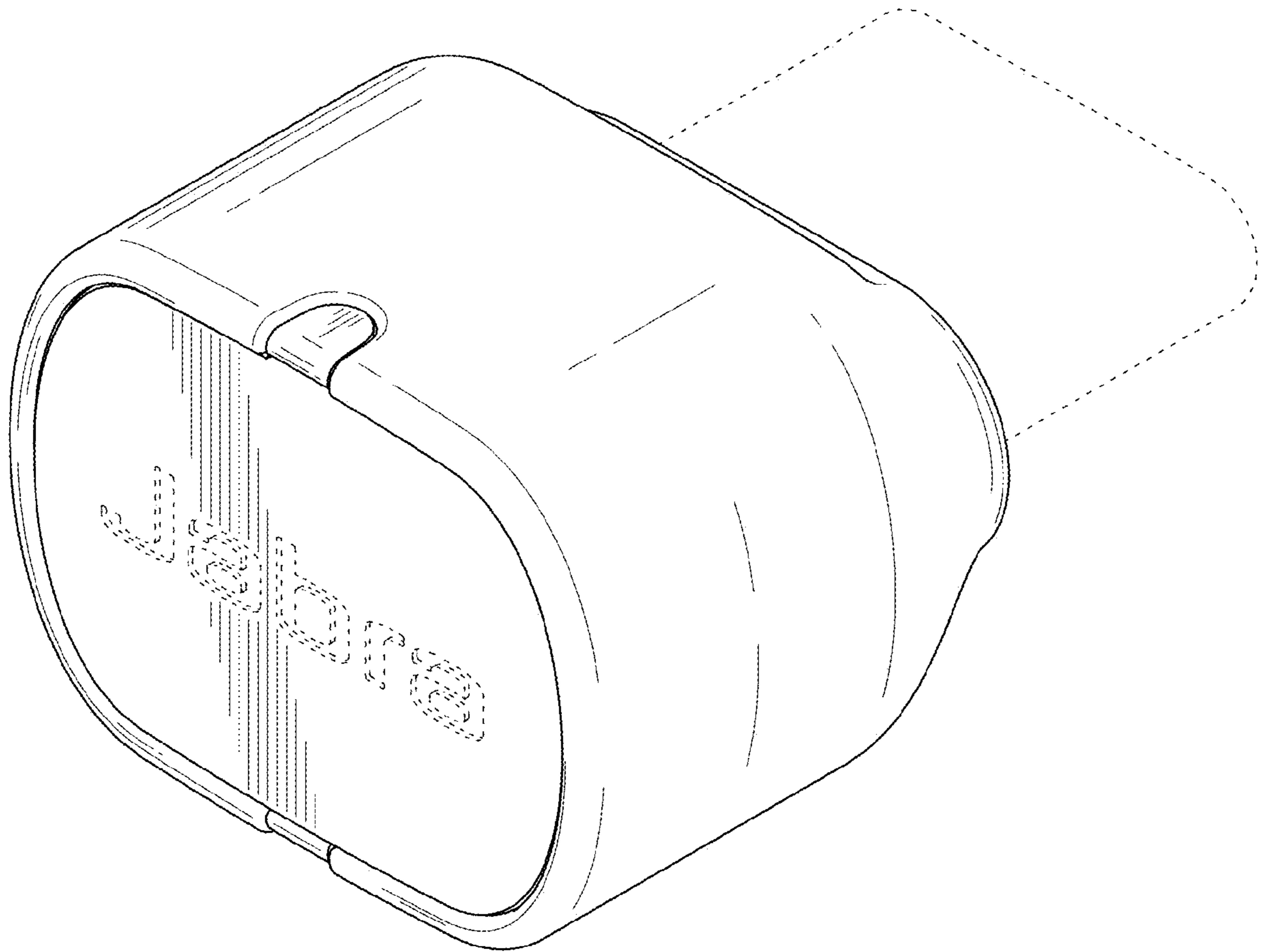


FIG. 1

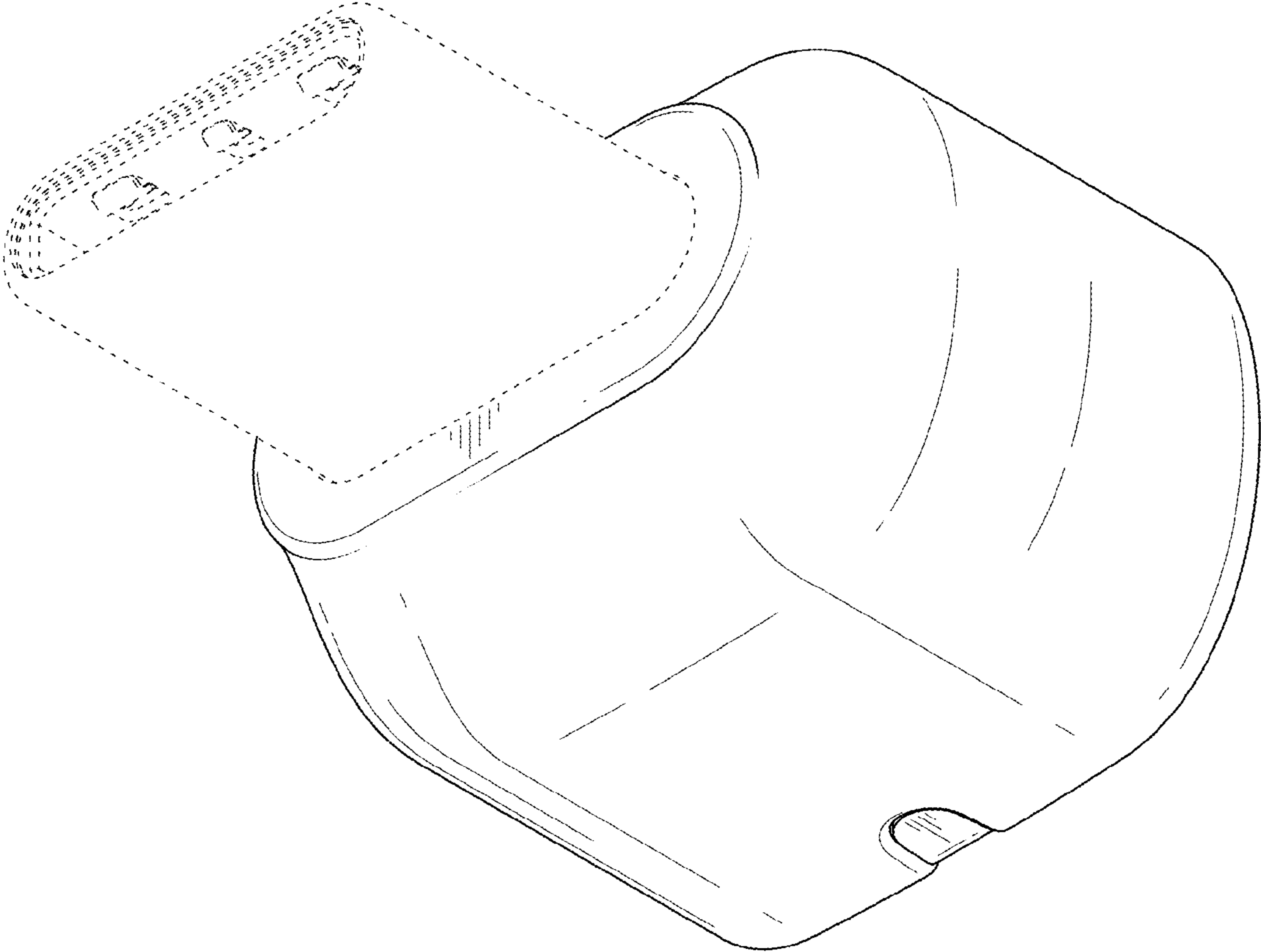


FIG. 2

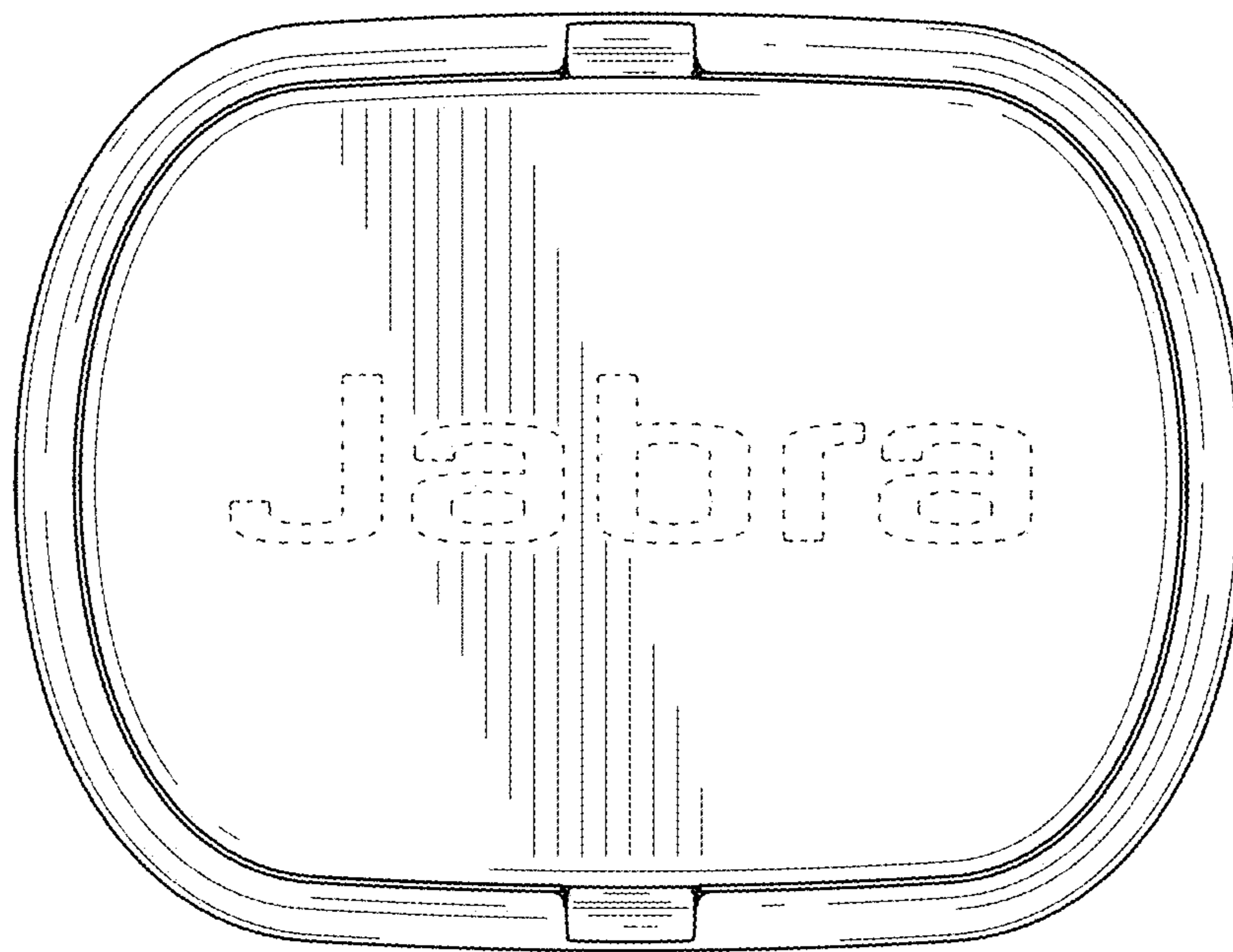


FIG. 3

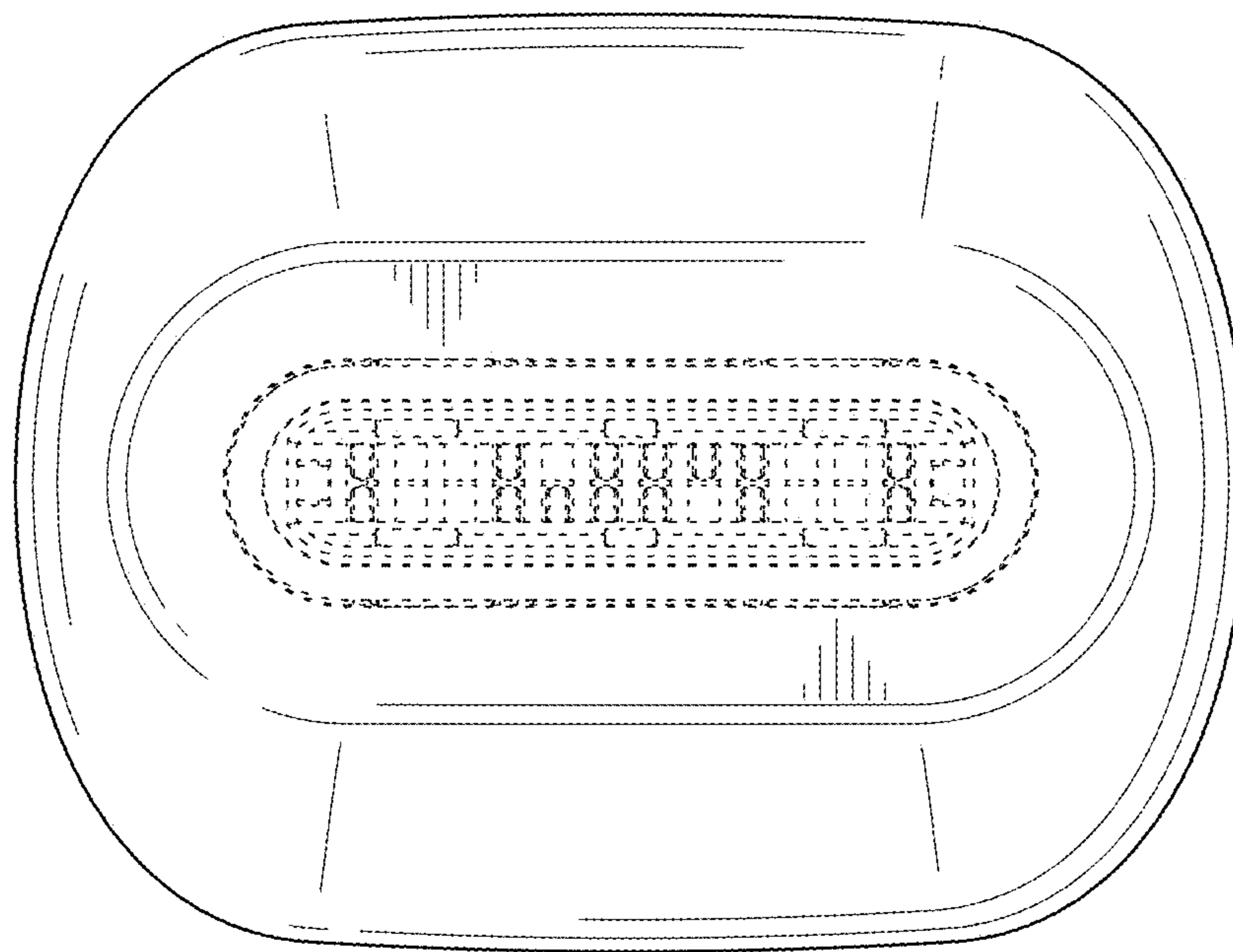


FIG. 4

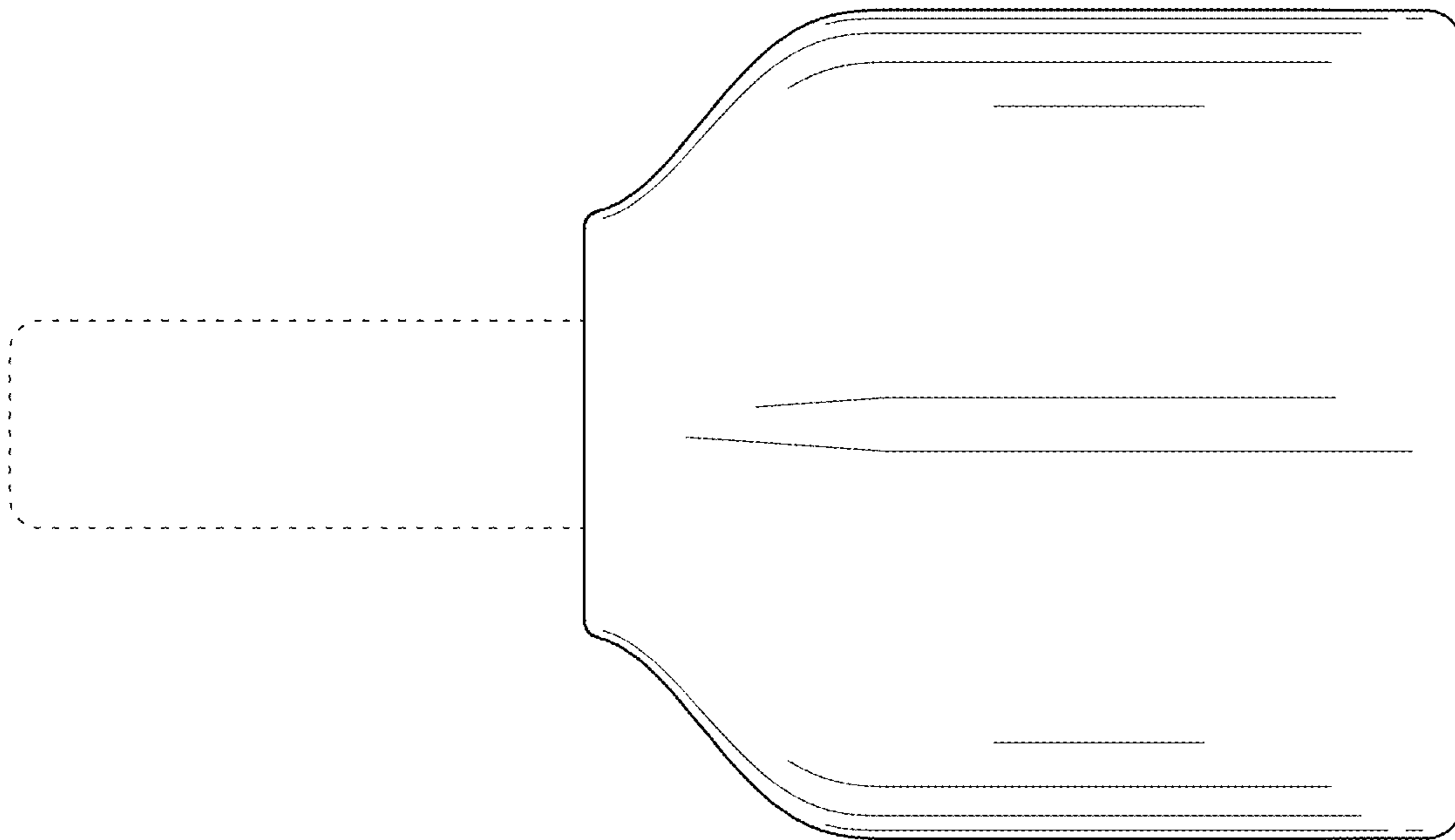


FIG. 5

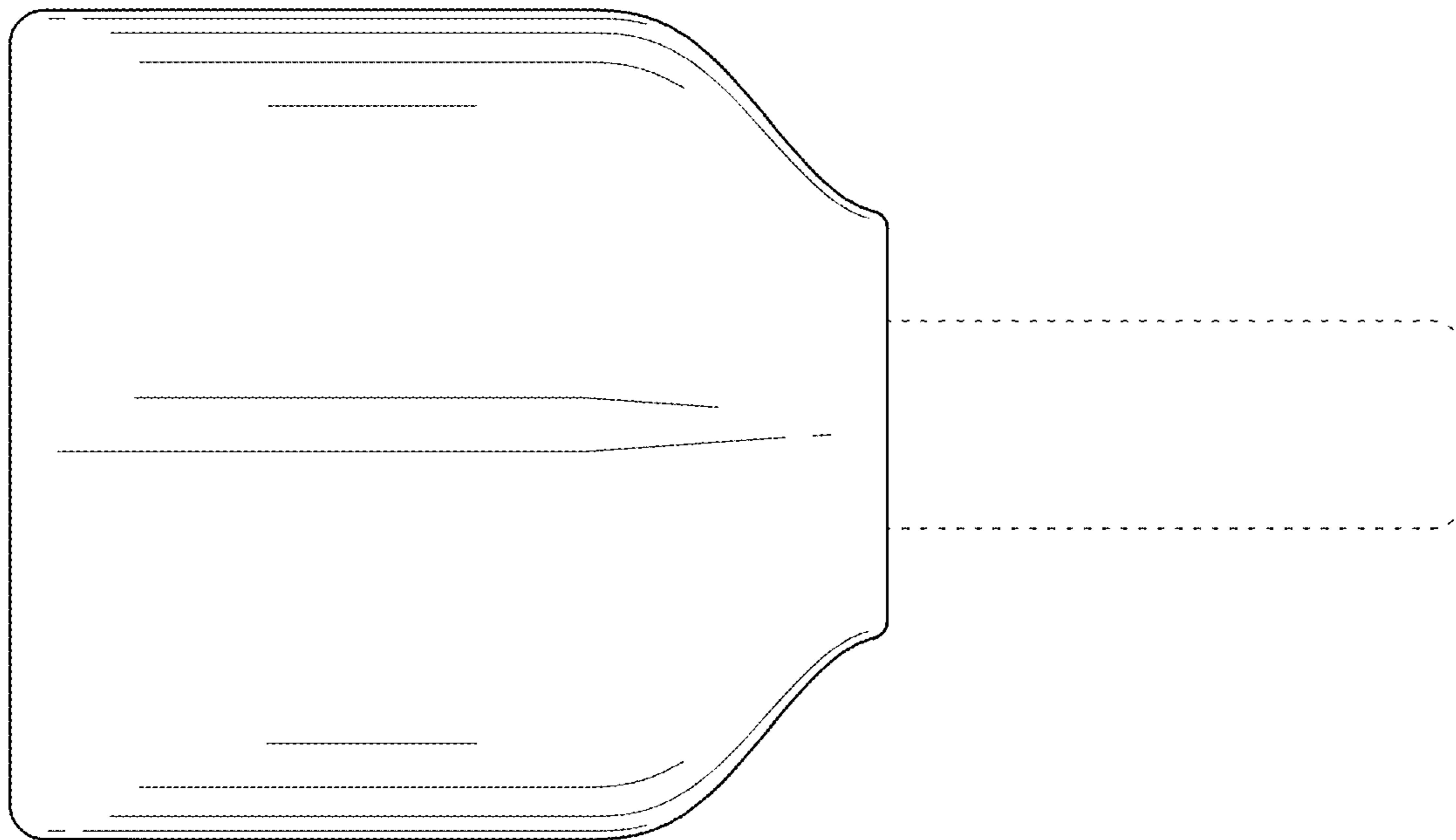


FIG. 6

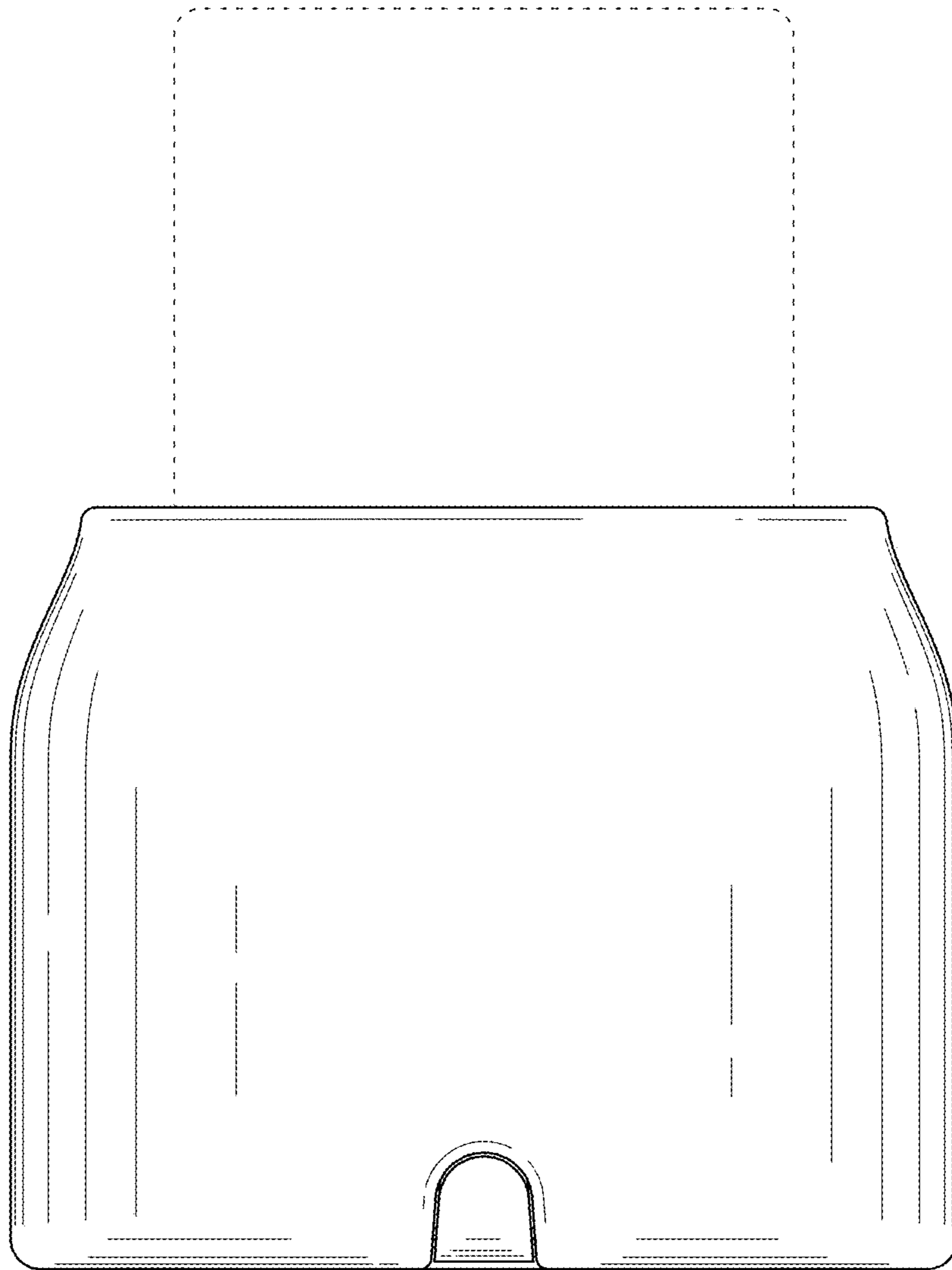


FIG. 7

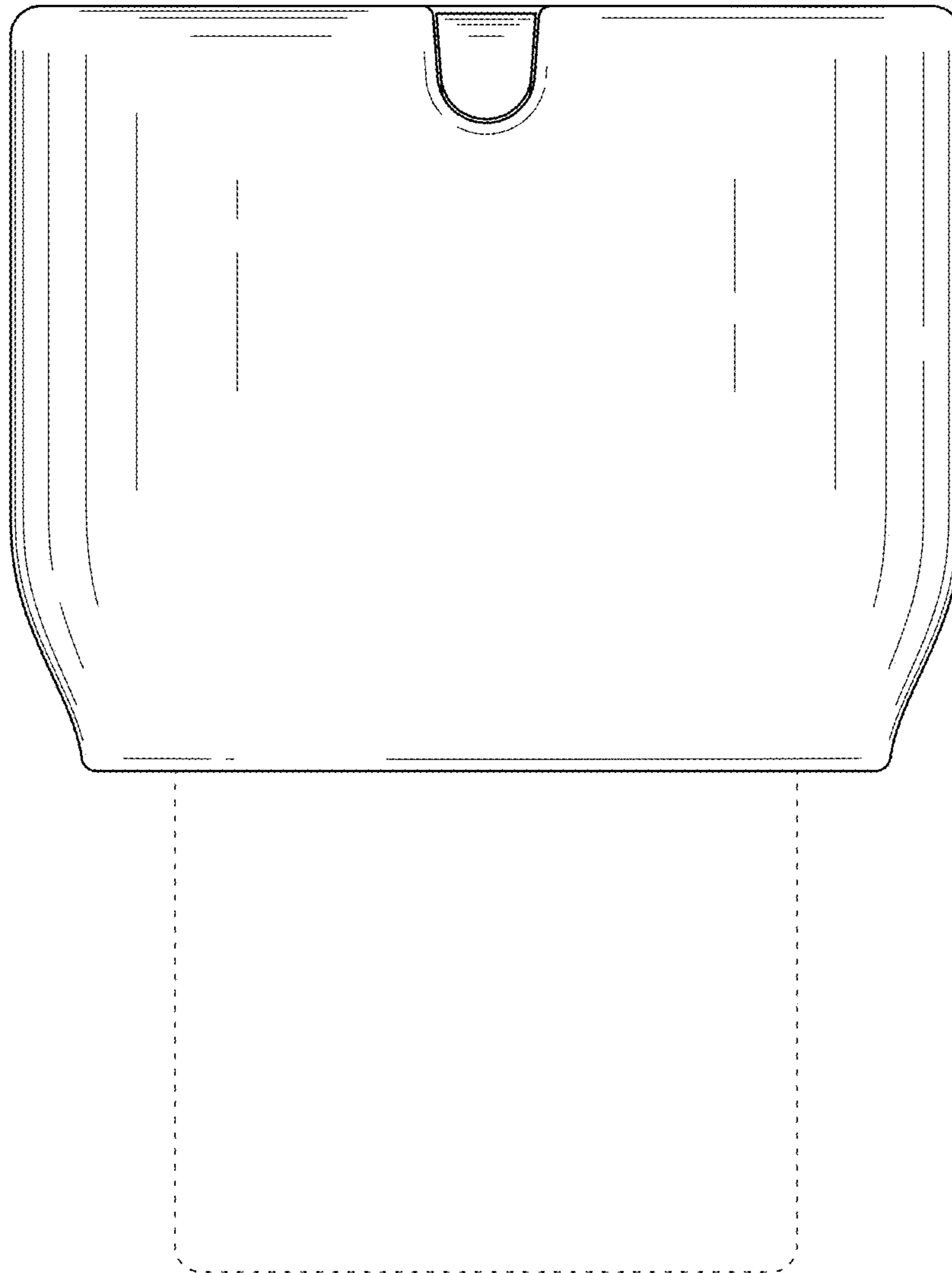


FIG. 8