



US00D940095S

(12) **United States Design Patent**
Pedersen

(10) **Patent No.:** **US D940,095 S**

(45) **Date of Patent:** **** Jan. 4, 2022**

(54) **COMMUNICATIONS EQUIPMENT**

(71) Applicant: **GN AUDIO A/S**, Ballerup (DK)

(72) Inventor: **Rasmus Trudslev Pedersen**, Ballerup (DK)

(73) Assignee: **GN AUDIO A/S**, Ballerup (DK)

(**) Term: **15 Years**

(21) Appl. No.: **29/734,563**

(22) Filed: **May 13, 2020**

(30) **Foreign Application Priority Data**

Nov. 18, 2019 (EM) 007257712-1-2

(51) **LOC (13) Cl.** **14-03**

(52) **U.S. Cl.**
USPC **D14/155**

(58) **Field of Classification Search**
USPC D14/167, 154, 168, 188, 496, 156, 160,
D14/161, 162, 163, 164, 165, 158, 341,
D14/346, 342, 345, 137, 155, 218, 225;
D16/208; D26/38; 455/351, 350;
D10/104.1, 106, 65
CPC H04B 1/385; H04M 1/6091; H04M 1/6066
See application file for complete search history.

(56) **References Cited**

U.S. PATENT DOCUMENTS

D461,176 S * 8/2002 Siokola D14/155
D491,191 S * 6/2004 Wen D14/496
D545,809 S * 7/2007 Griffin D14/155
D546,811 S * 7/2007 Neu D14/155

D549,210 S * 8/2007 Neu D14/155
D549,684 S * 8/2007 Lee D14/155
D560,649 S * 1/2008 Hsu D14/155
D570,327 S * 6/2008 Ikeda D14/155
D618,240 S * 6/2010 Larmour D14/358
D759,003 S * 6/2016 Daniel D14/240
D816,057 S * 4/2018 Jue D14/155
D823,274 S * 7/2018 Hu D14/155
D856,291 S * 8/2019 Sun D14/125
D868,742 S * 12/2019 Cao D14/217
D881,153 S * 4/2020 Fang D14/155

* cited by examiner

Primary Examiner — Austin Murphy

(74) *Attorney, Agent, or Firm* — Hamre, Schumann,
Mueller & Larson, P.C.

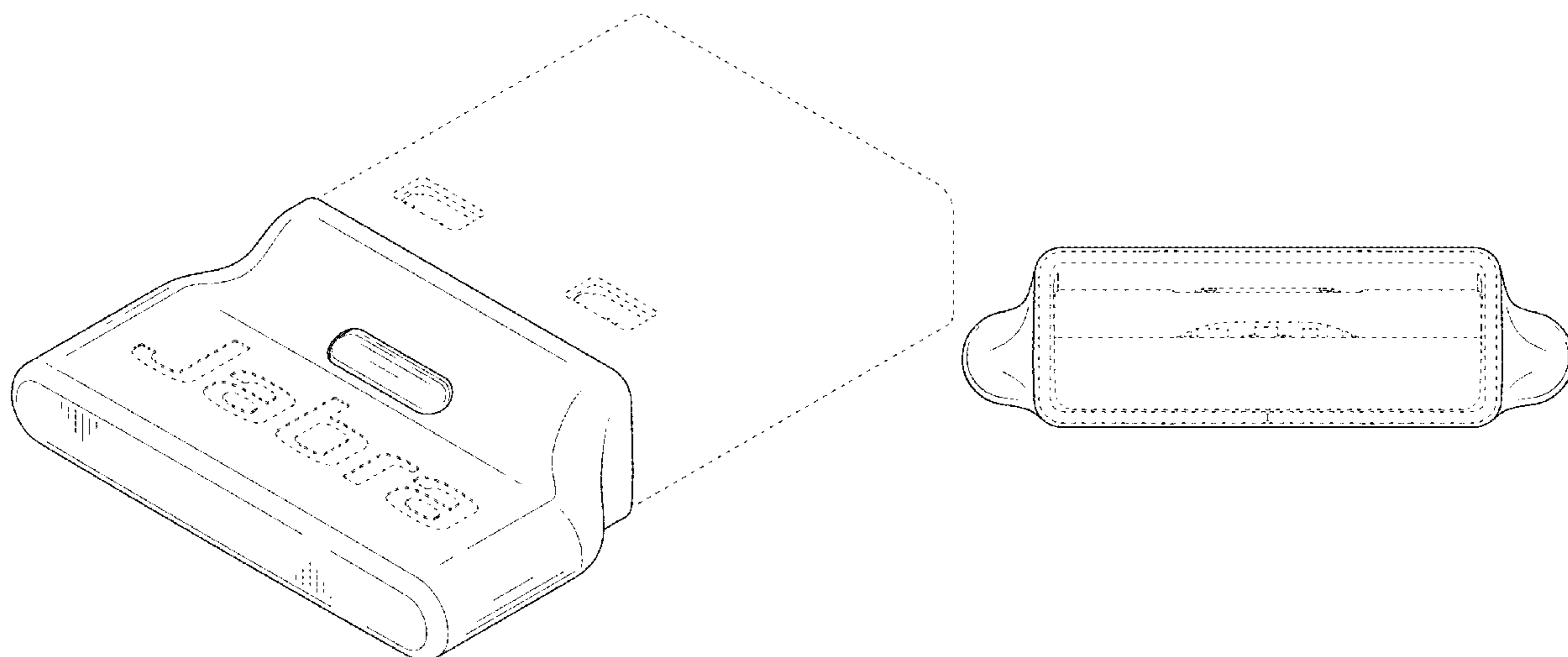
(57) **CLAIM**

The ornamental design for a communications equipment, as shown and described.

DESCRIPTION

FIG. 1 is a top front right perspective view of the communications equipment.
FIG. 2 is a bottom rear left perspective view thereof.
FIG. 3 is a front plan view thereof.
FIG. 4 is a rear plan view thereof.
FIG. 5 is a left plan view thereof.
FIG. 6 is a right plan view thereof.
FIG. 7 is top plan view thereof; and,
FIG. 8 is a bottom plan view thereof.
The features shown in broken lines depict environmental subject matter only and form no part of the claimed design. Likewise, any portion which is bounded by broken boundary lines is not to be considered part of the claim.

1 Claim, 6 Drawing Sheets



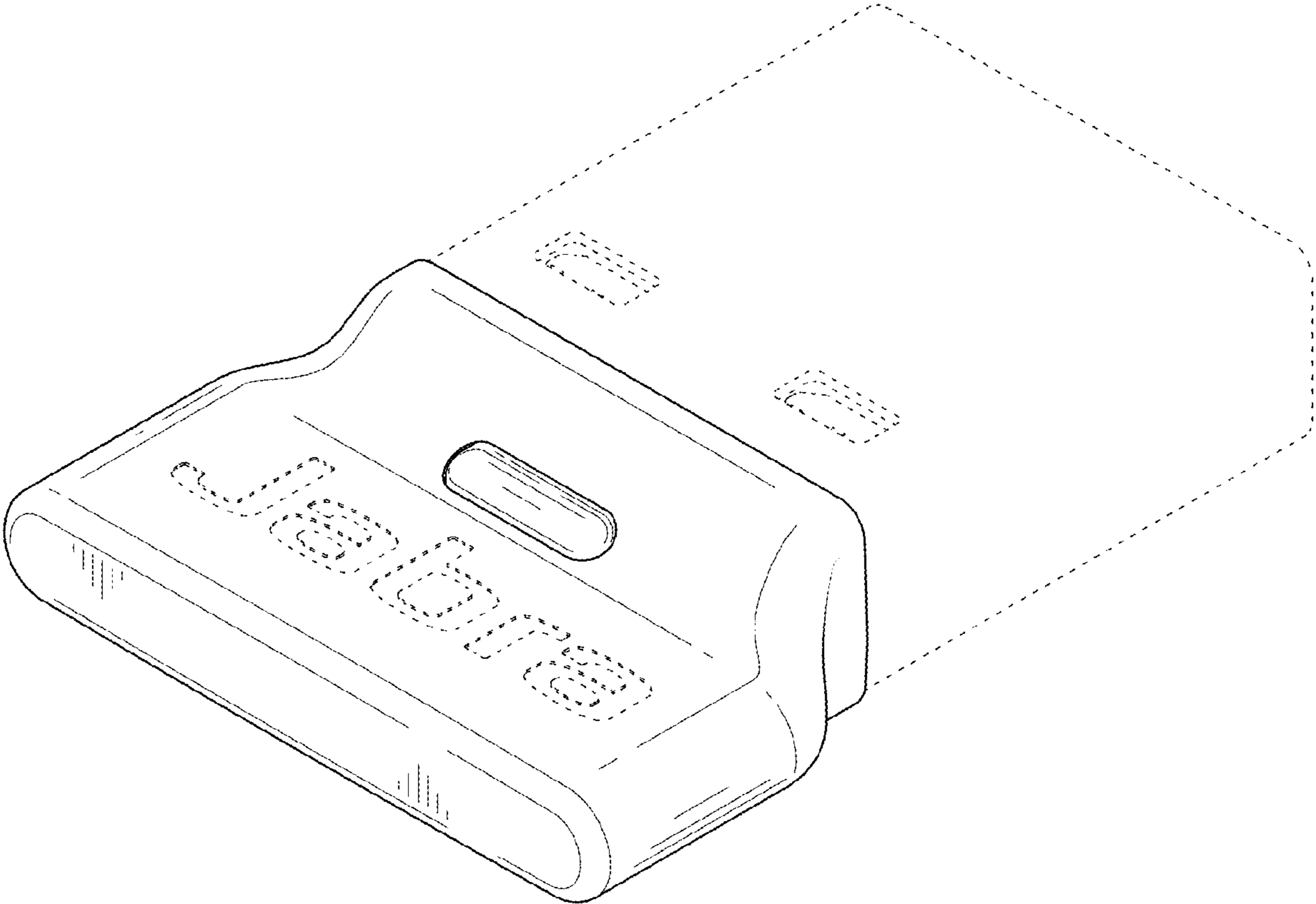


FIG. 1

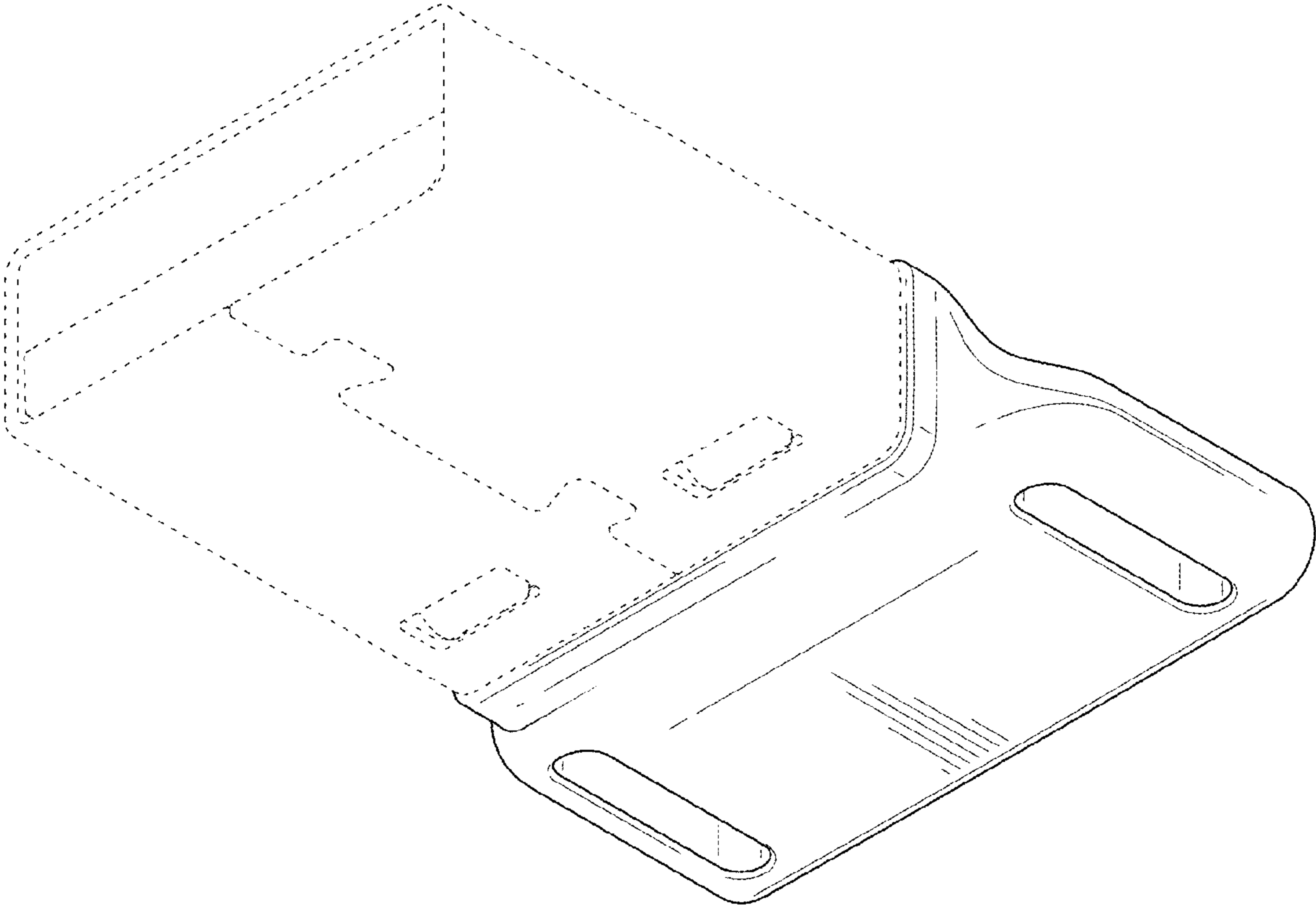


FIG. 2

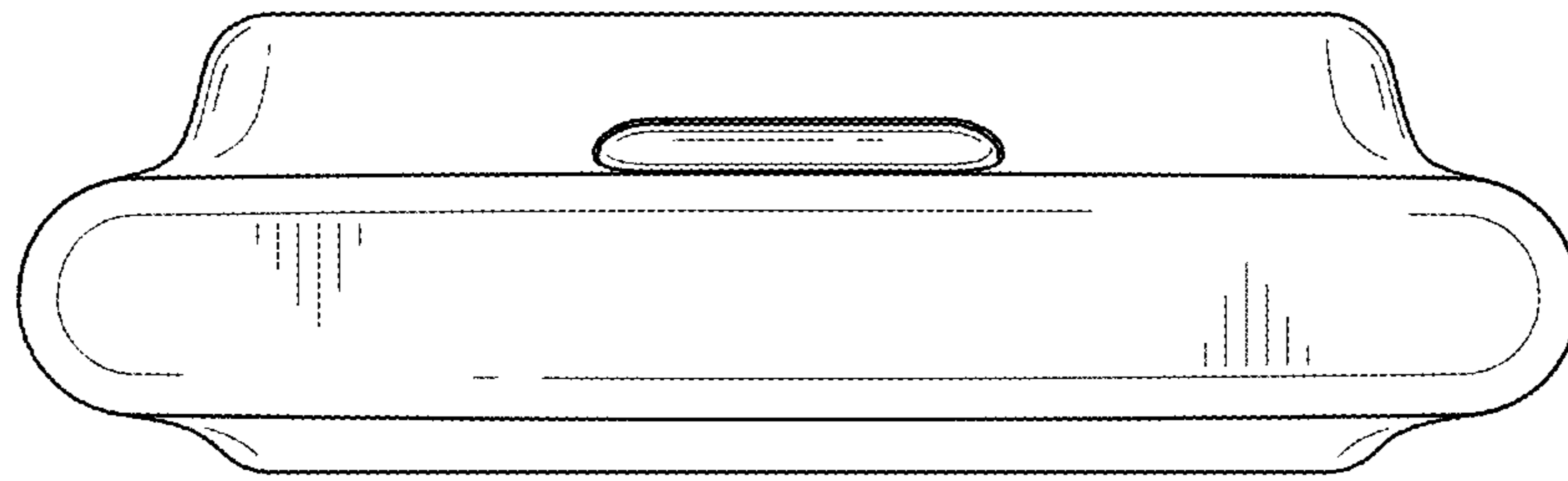


FIG. 3

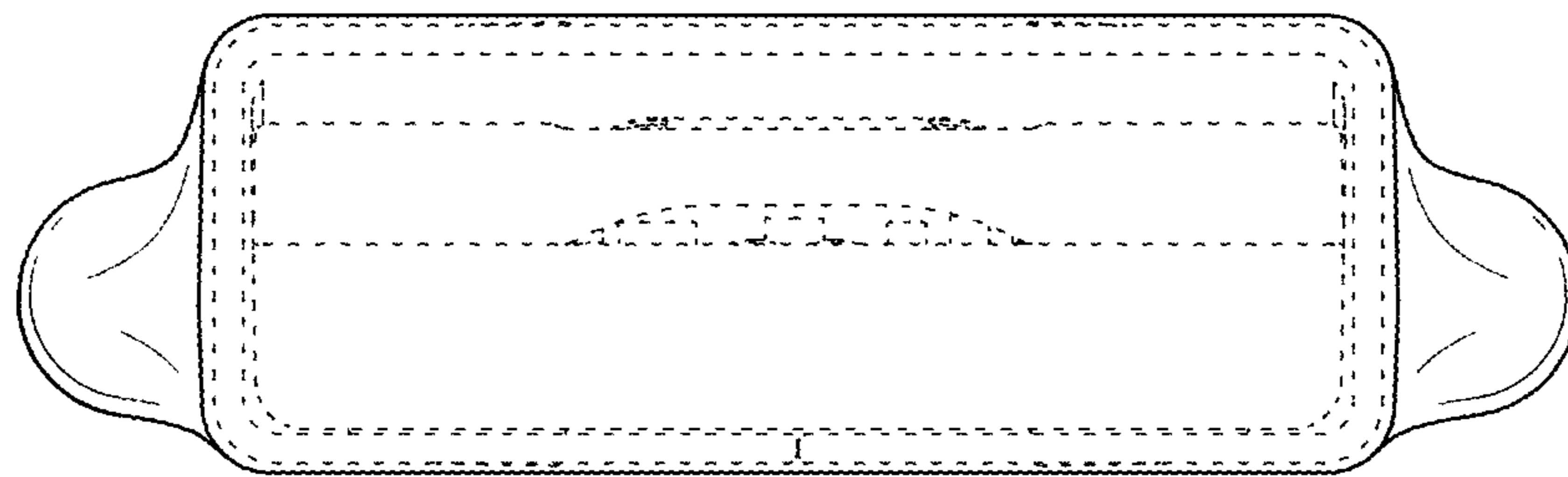


FIG. 4

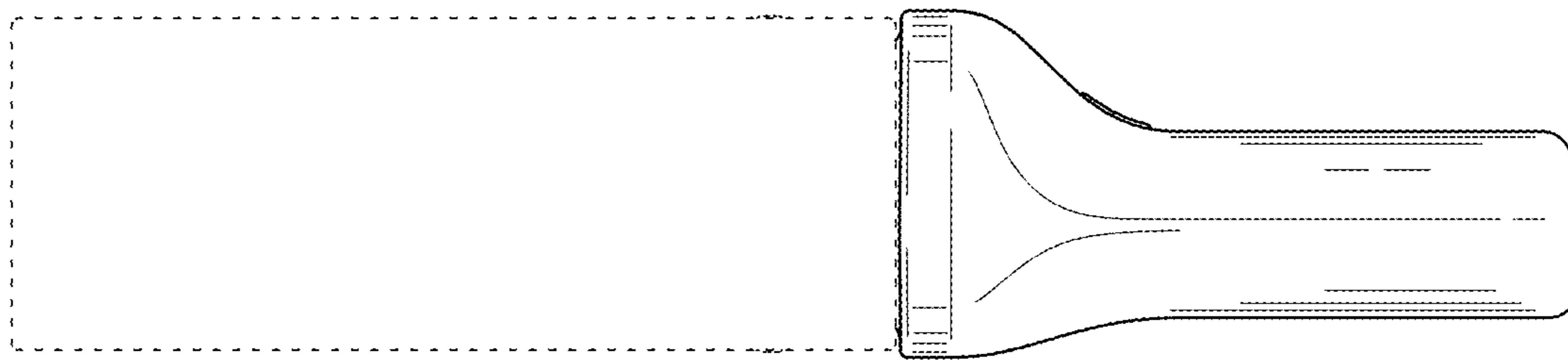


FIG. 5

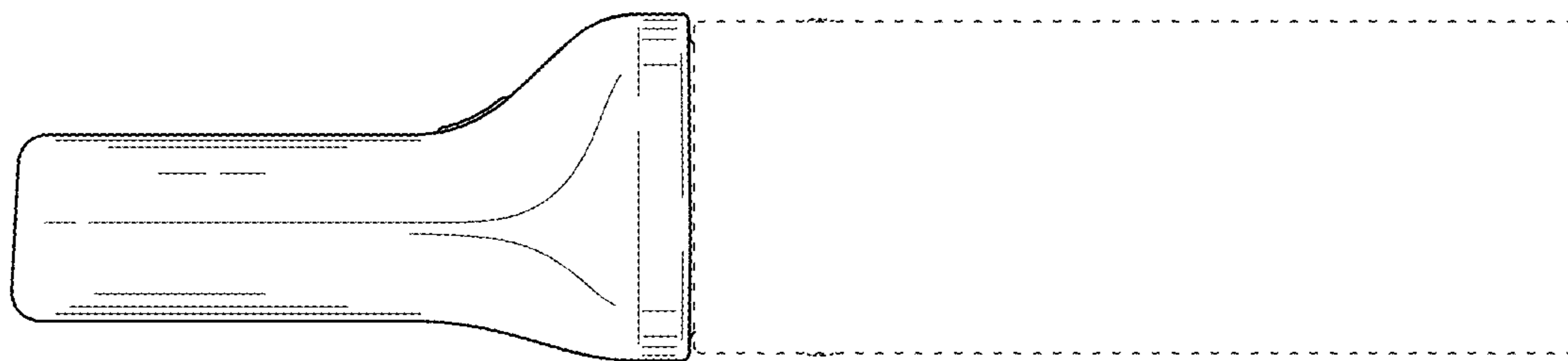


FIG. 6

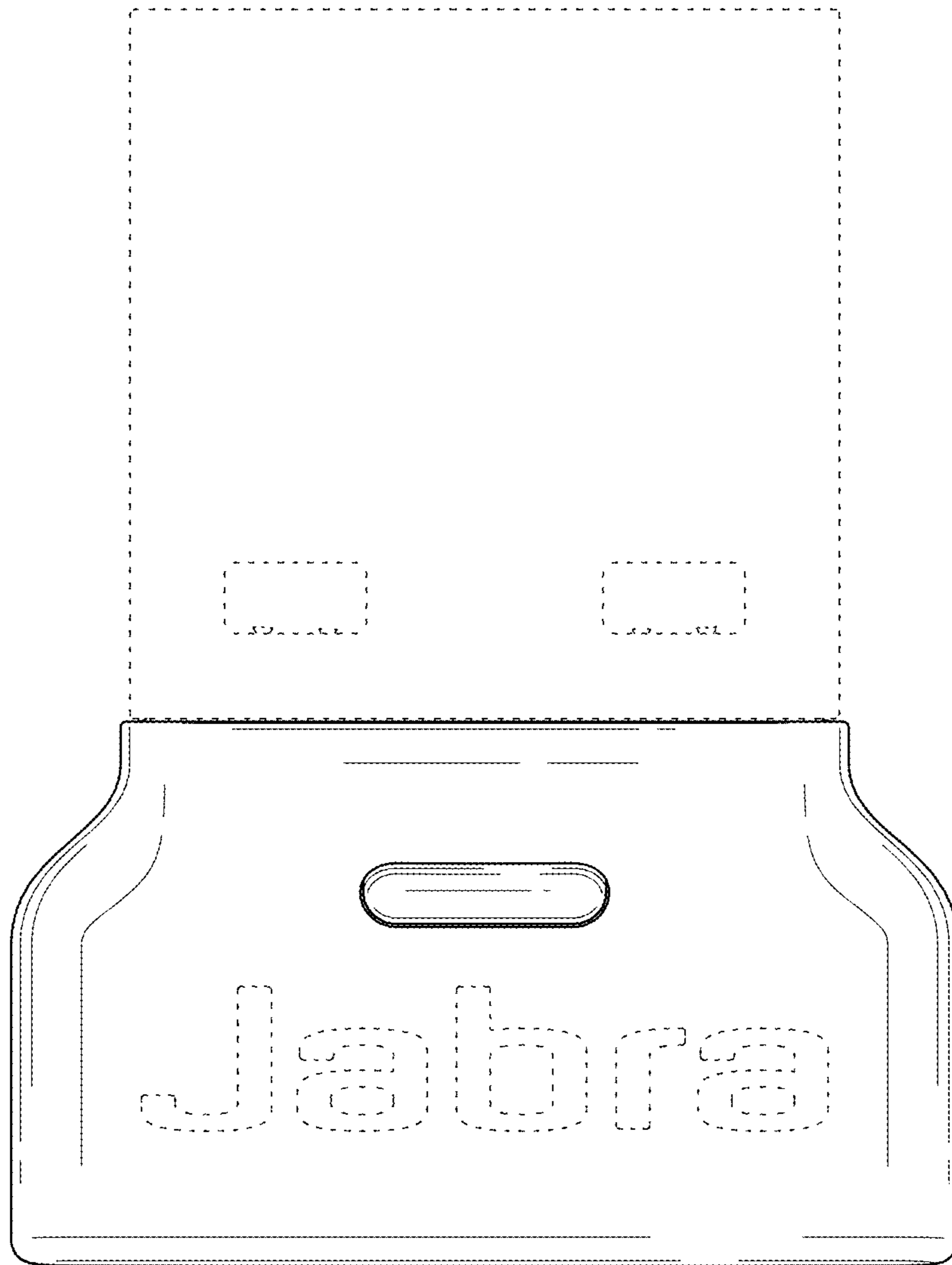


FIG. 7

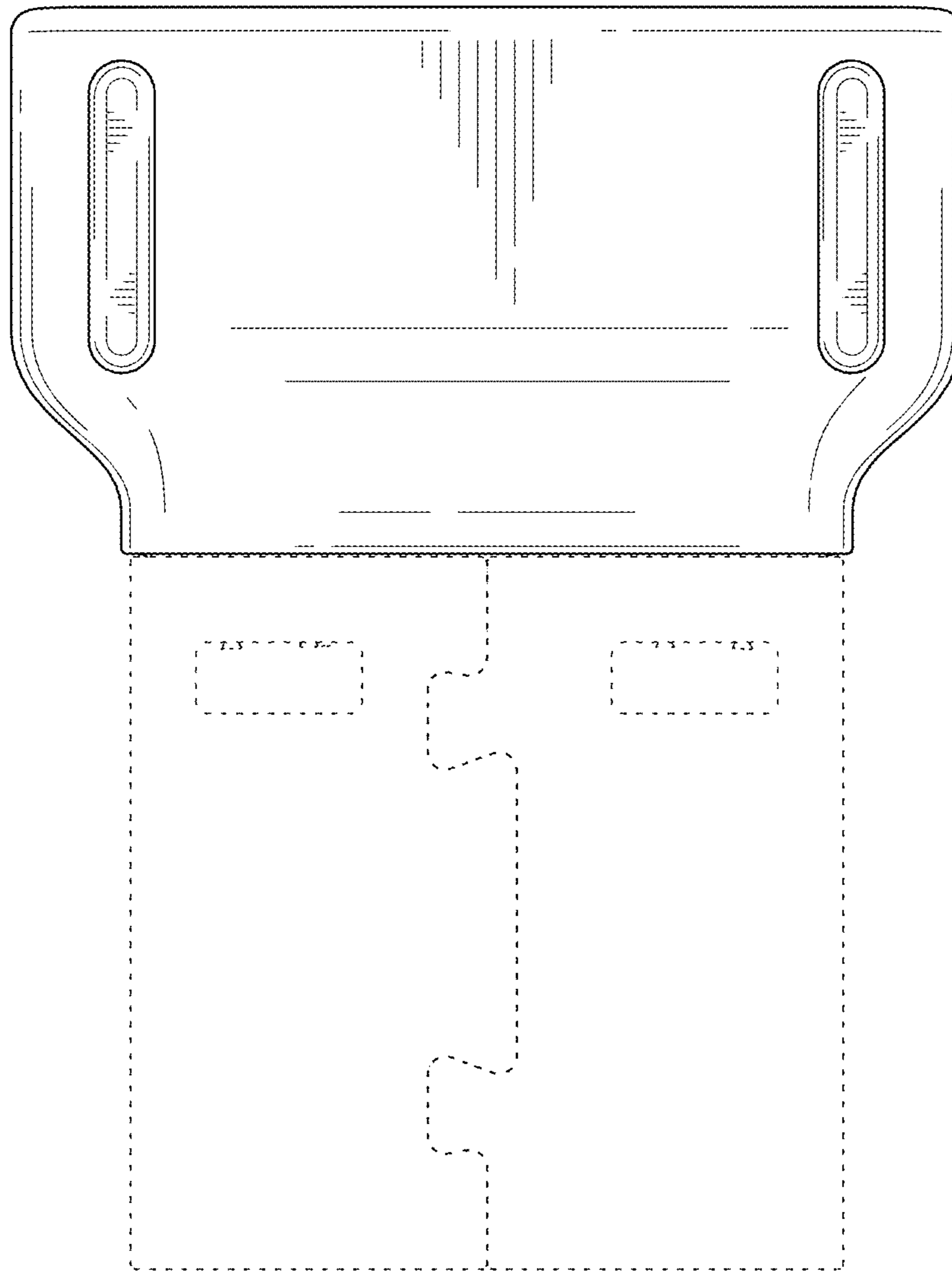


FIG. 8