



US00D940094S

(12) **United States Design Patent**
Chen et al.

(10) **Patent No.:** **US D940,094 S**
(45) **Date of Patent:** **** Jan. 4, 2022**

(54) **SMART PHONE**

D775,099 S * 12/2016 Higashide D14/138 G
D780,148 S * 2/2017 Nagao D14/138 G
D797,695 S * 9/2017 Yoshihara D14/138 G

(71) Applicant: **Power Idea Technology (Shenzhen) Co., Ltd.**, Shenzhen (CN)

FOREIGN PATENT DOCUMENTS

(72) Inventors: **Dong-Ming Chen**, Shenzhen (CN);
Zhen-Yu Guo, Shenzhen (CN)

CN 302350862 * 3/2013
CN 304194834 * 7/2017
CN 304349369 * 11/2017

(73) Assignee: **Power Idea Technology (Shenzhen) Co., Ltd.**, Shenzhen (CN)

* cited by examiner

(**) Term: **15 Years**

Primary Examiner — Bridget L Eland

(21) Appl. No.: **29/714,327**

(74) *Attorney, Agent, or Firm* — ScienBiziP, P.C.

(22) Filed: **Nov. 22, 2019**

(57) **CLAIM**

(51) **LOC (13) Cl.** **14-03**

The ornamental design for a smart phone, as shown and described.

(52) **U.S. Cl.**

USPC **D14/138 G**

(58) **Field of Classification Search**

DESCRIPTION

USPC .. D14/138 G, 248, 341, 345, 432, 439, 371,
D14/374, 138 R, 138 AA, 138 AB,
D14/138 AC, 138 AD, 138 C

CPC H04M 1/0202; H04M 1/0235; H04M
1/0237; H04M 1/0239; H04M 1/0266;
H04M 1/0268; H04M 1/027; H04M
1/0295; H04M 1/02; H04M 1/0279;
H04M 1/0283

See application file for complete search history.

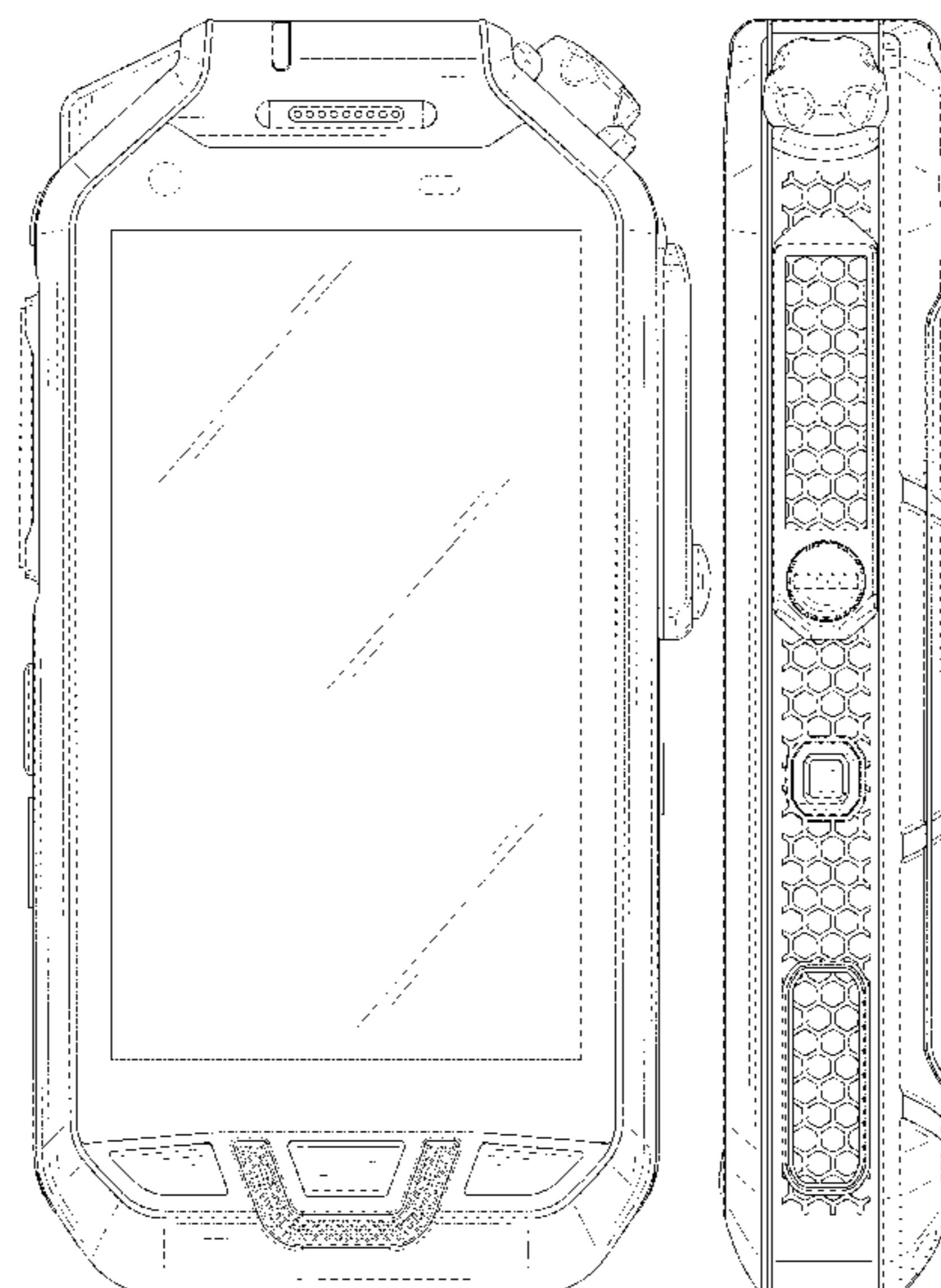
FIG. 1 is a front perspective view of a smart phone showing our design.
FIG. 2 is a rear perspective view thereof.
FIG. 3 is a front elevation view thereof.
FIG. 4 is a rear elevation view thereof.
FIG. 5 is a left side elevation view thereof.
FIG. 6 is a right side elevation view thereof.
FIG. 7 is a top plan view thereof.
FIG. 8 is a bottom plan view thereof.
FIG. 9 is an enlarged view of the smart phone in FIG. 1 of the region identified as “9” in FIG. 1;
FIG. 10 is an enlarged view of the smart phone in FIG. 1 of the region identified as “10” in FIG. 1;
FIG. 11 is an enlarged view of the smart phone in FIG. 1 of the region identified as “11” in FIG. 1;
FIG. 12 is an enlarged view of the smart phone in FIG. 2 of the region identified as “12” in FIG. 2; and,
FIG. 13 is an enlarged view of the smart phone in FIG. 2 of the region identified as “13” in FIG. 2.

(56) **References Cited**

U.S. PATENT DOCUMENTS

D554,098 S * 10/2007 Lee D14/138 AD
D580,396 S * 11/2008 Kang D14/138 G
D616,855 S * 6/2010 Song D14/138 AD
D677,231 S * 3/2013 Behling D14/138 G
D678,232 S * 3/2013 Harmon D14/138 G
D683,338 S * 5/2013 Wilson D14/250
D685,754 S * 7/2013 Palmer D14/138 G
D687,004 S * 7/2013 Behling D14/138 G
D703,661 S * 4/2014 Krause D14/341
D723,499 S * 3/2015 Nishikawa D14/138 G

1 Claim, 13 Drawing Sheets



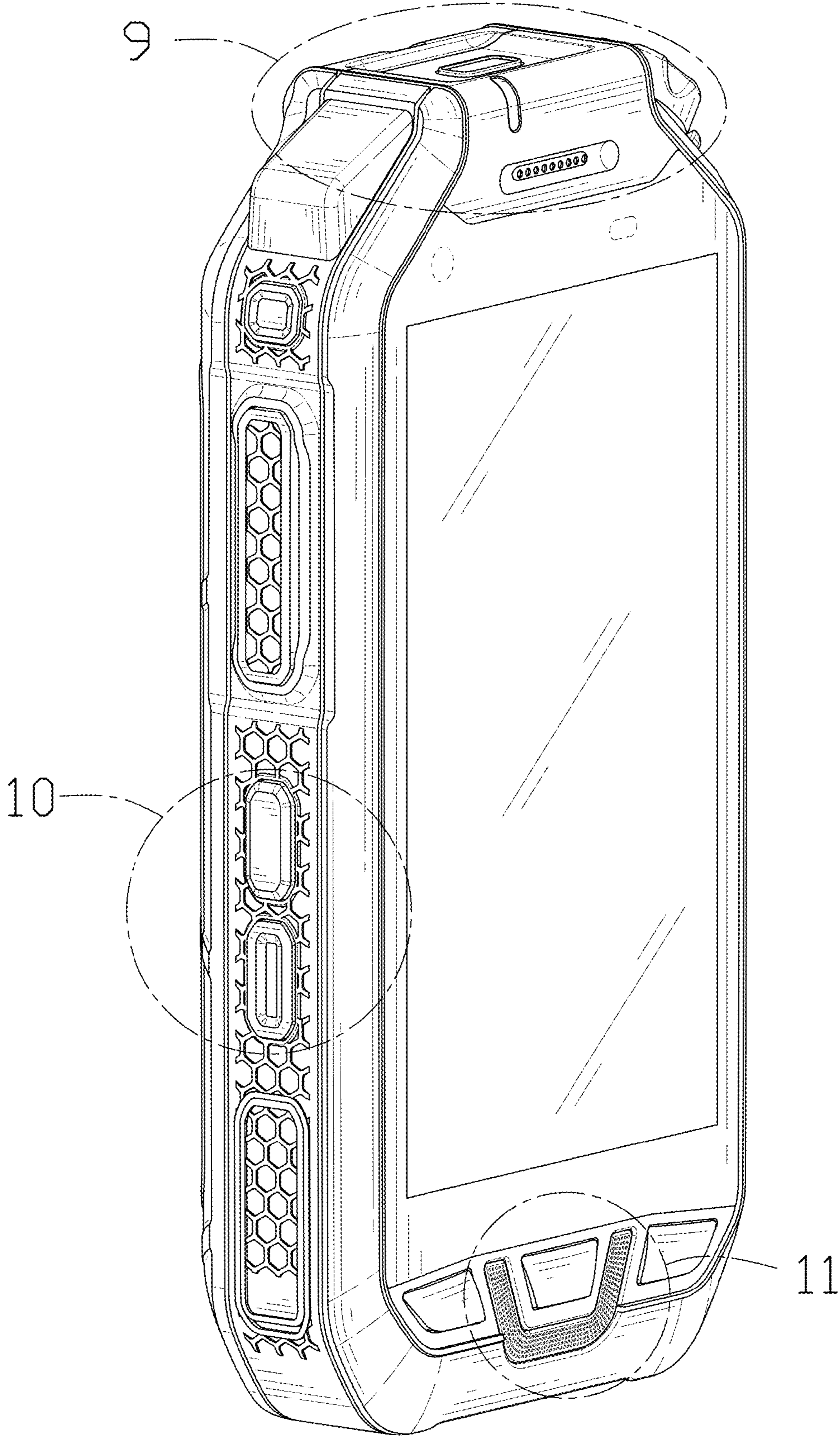


FIG. 1

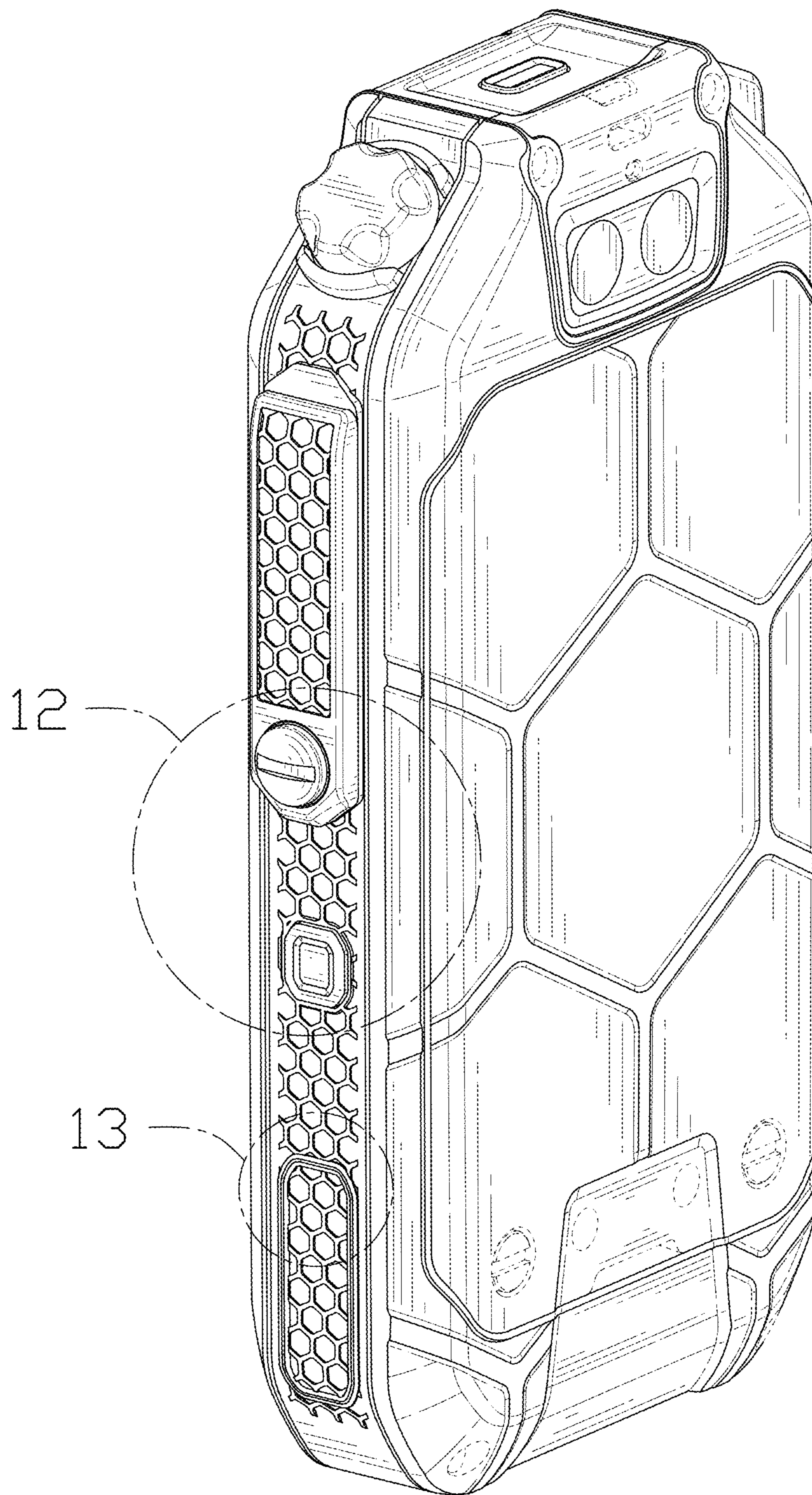


FIG. 2

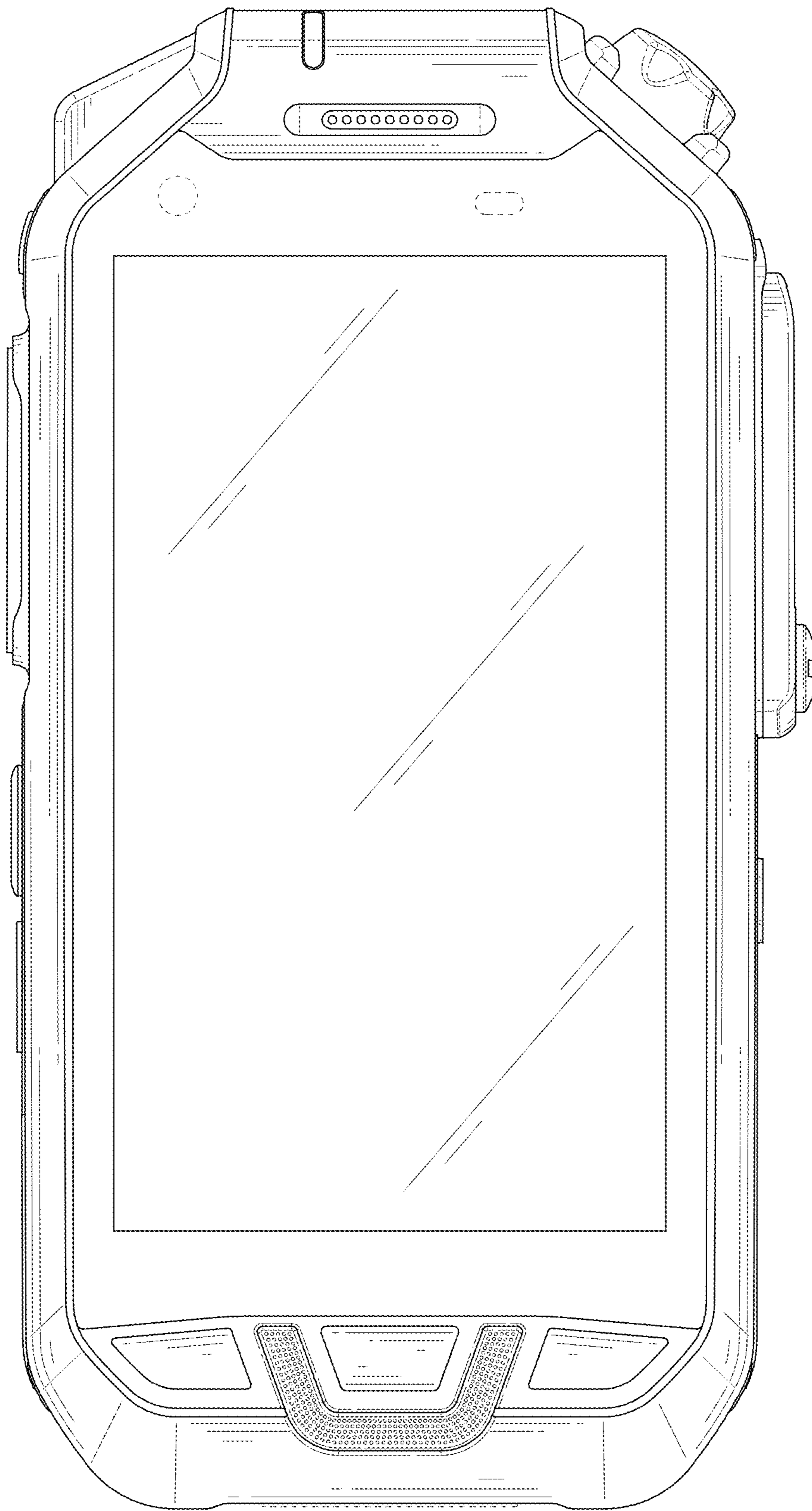


FIG. 3

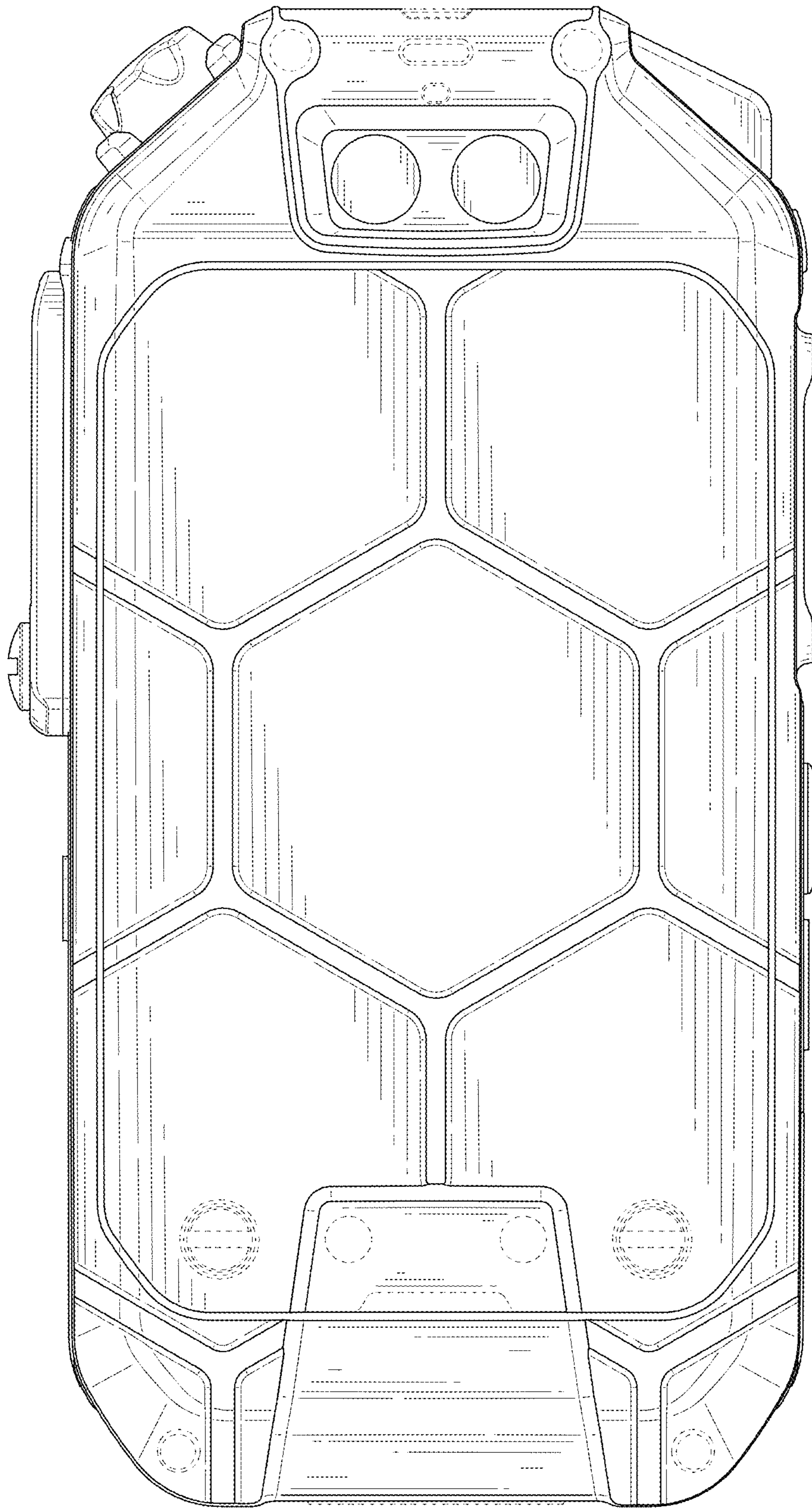


FIG. 4

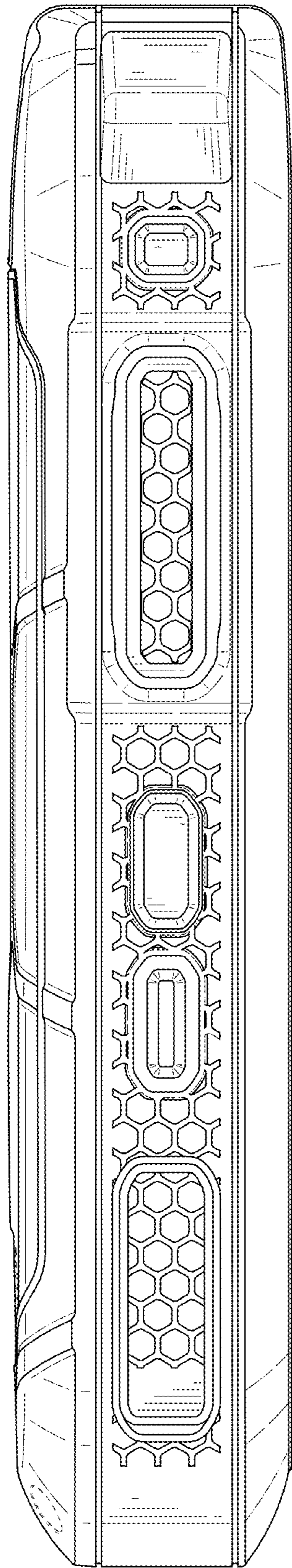


FIG. 5

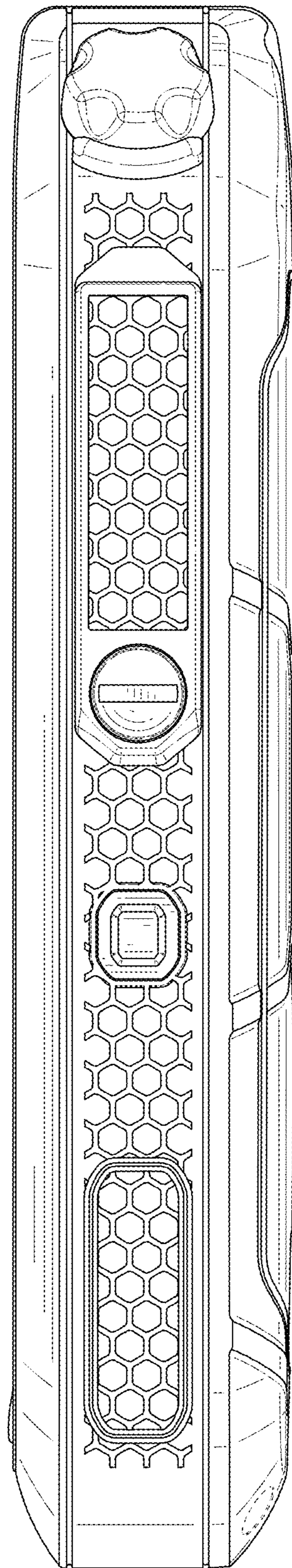


FIG. 6

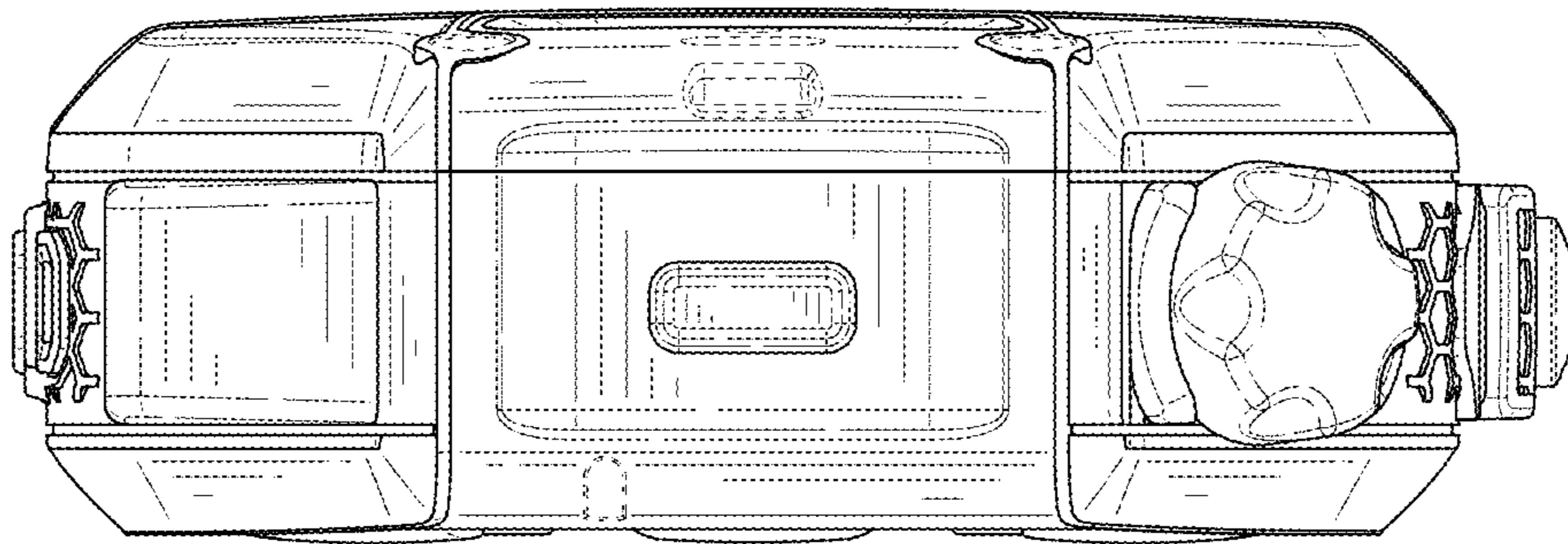


FIG. 7

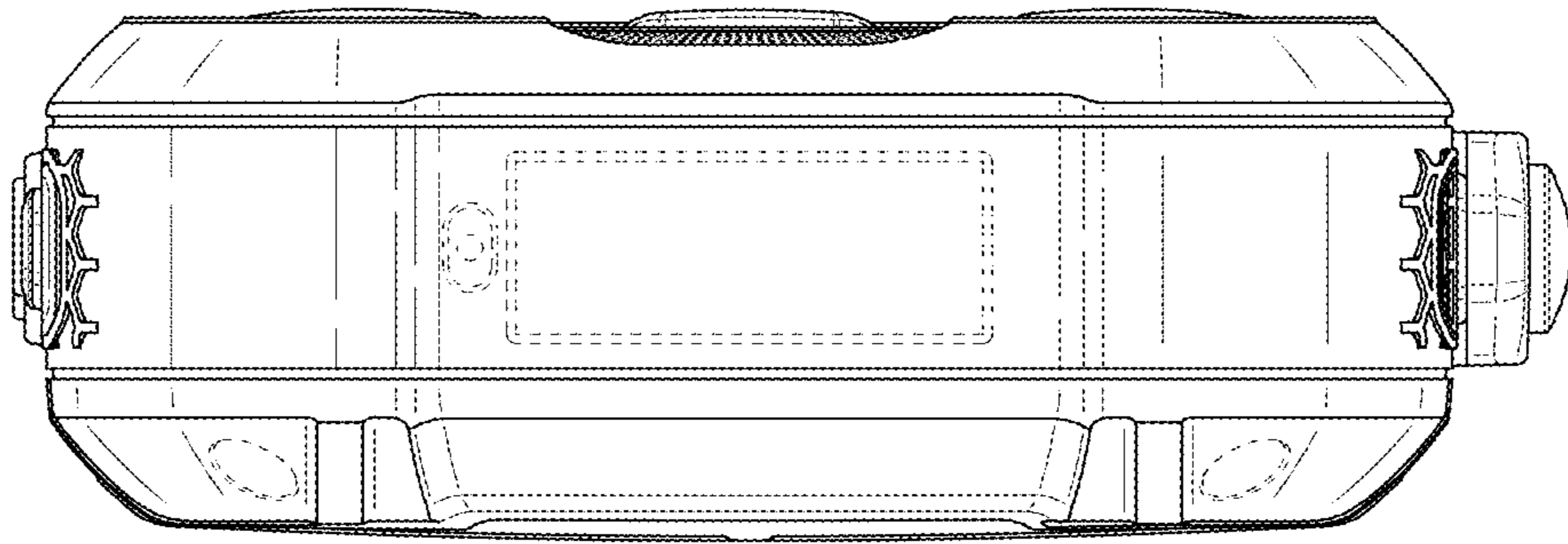


FIG. 8

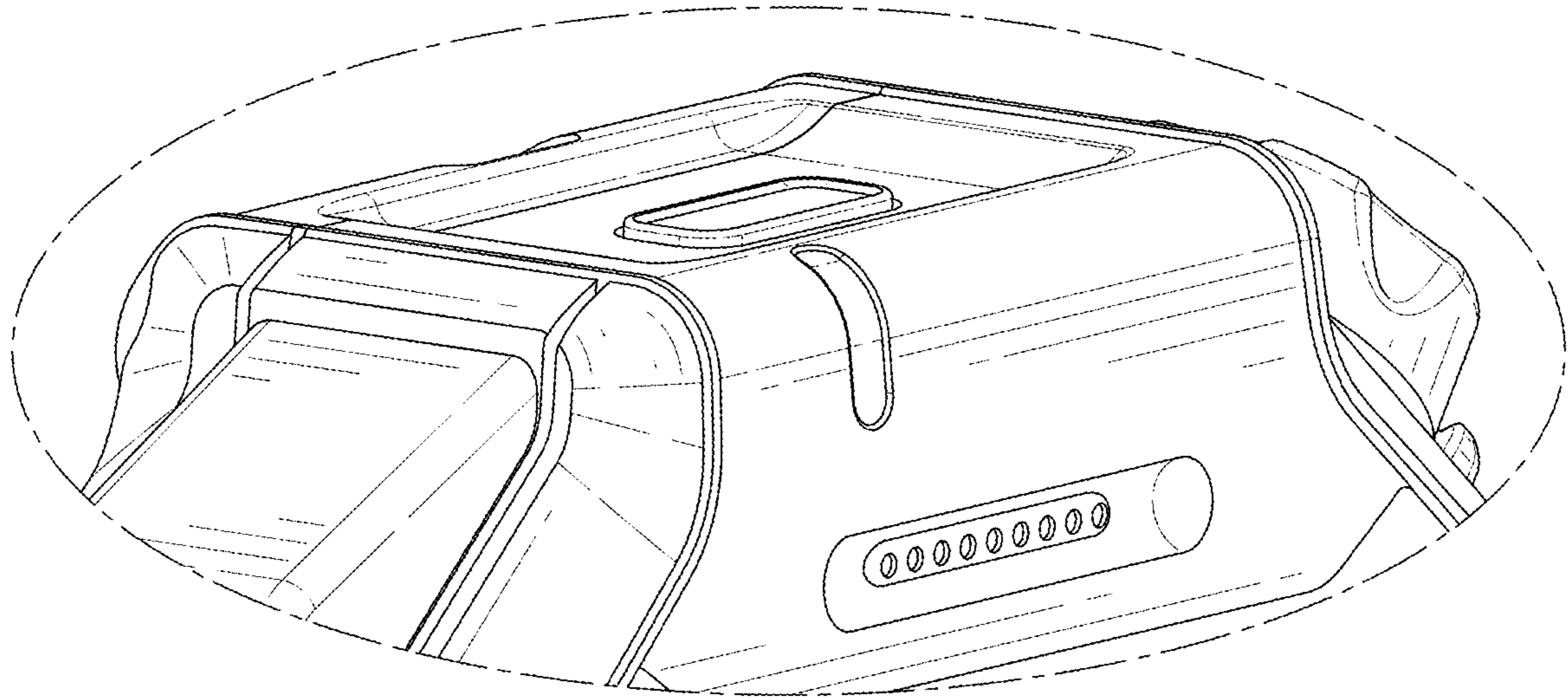


FIG. 9

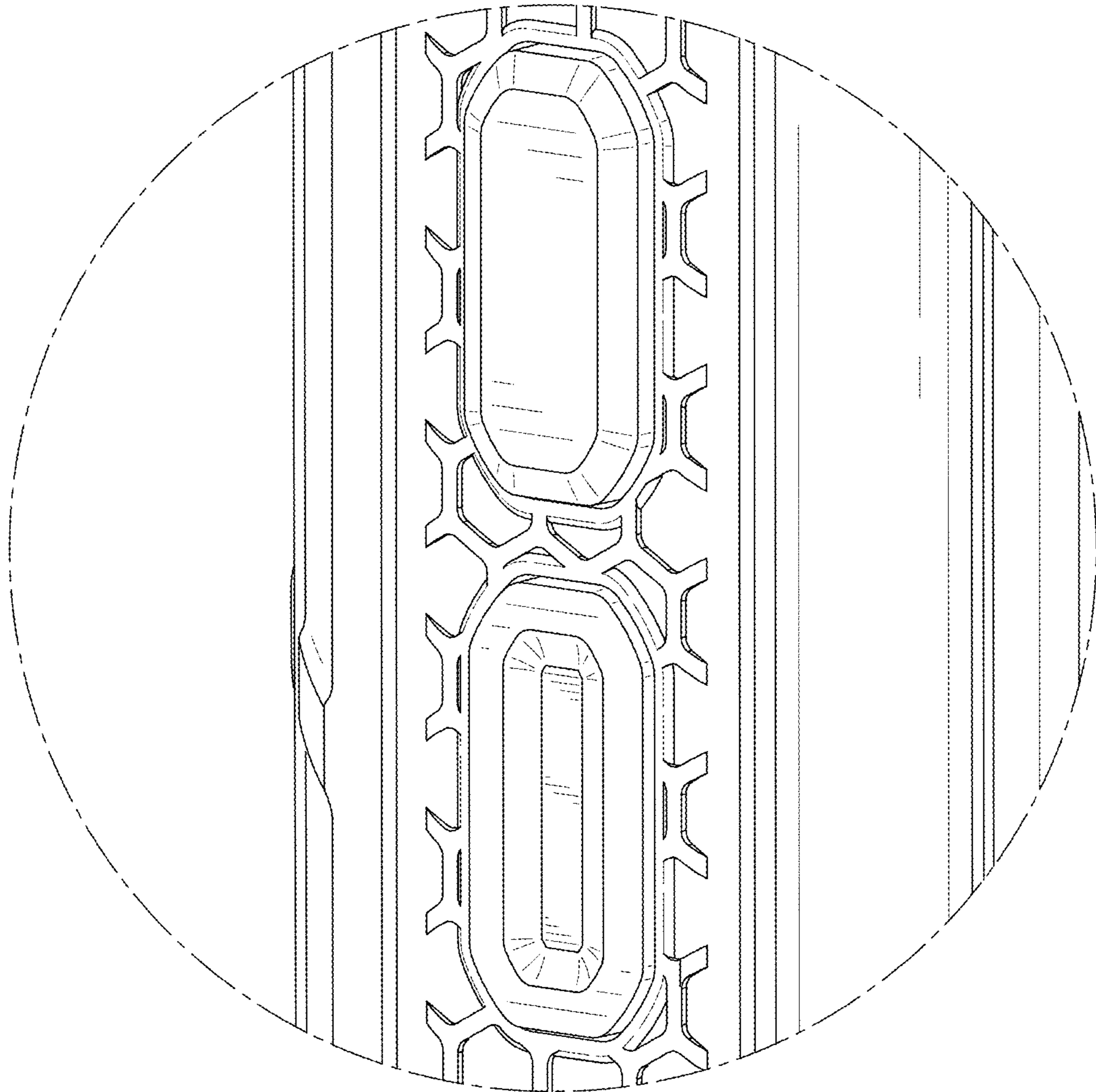


FIG. 10

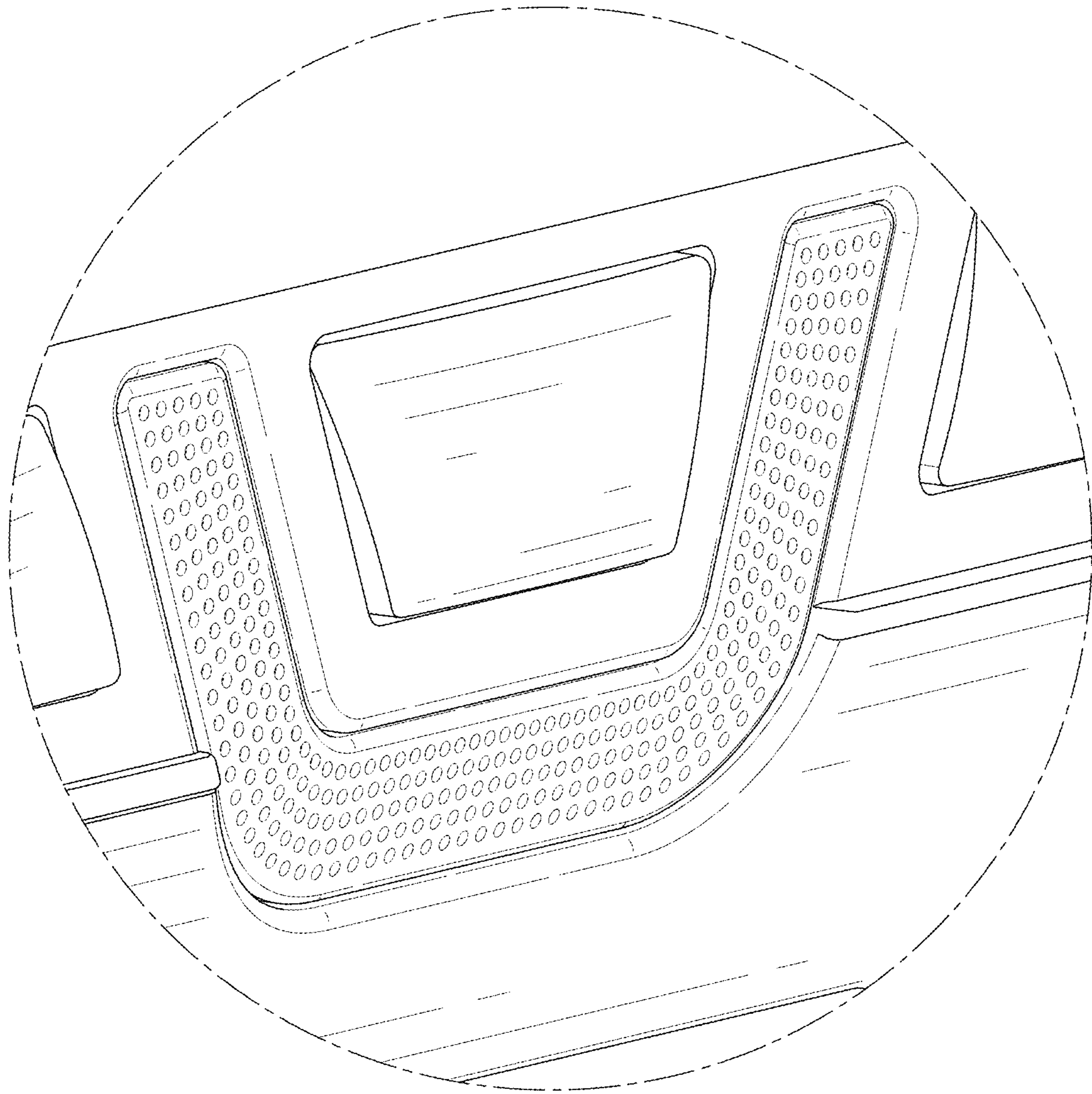


FIG. 11

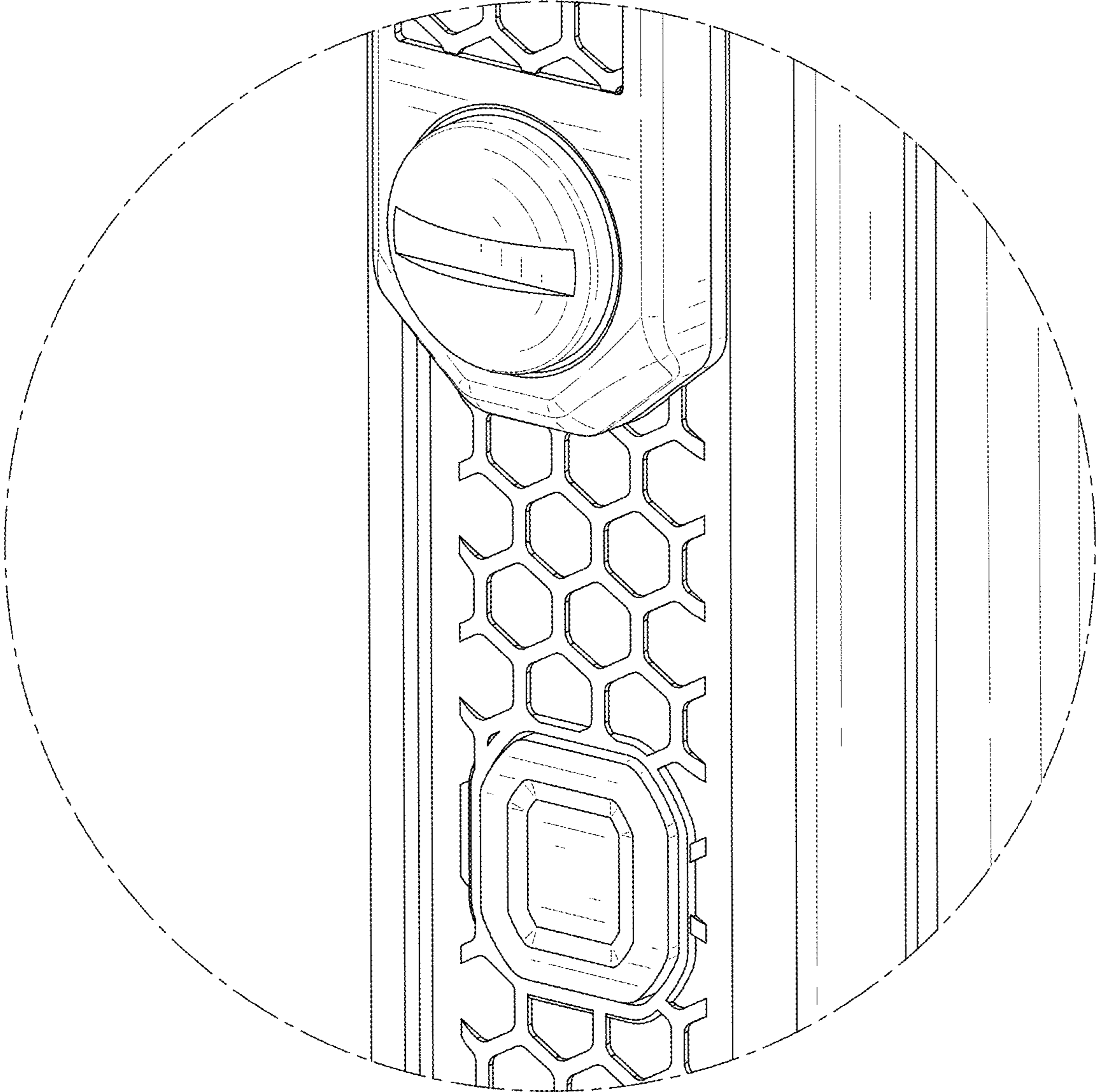


FIG. 12

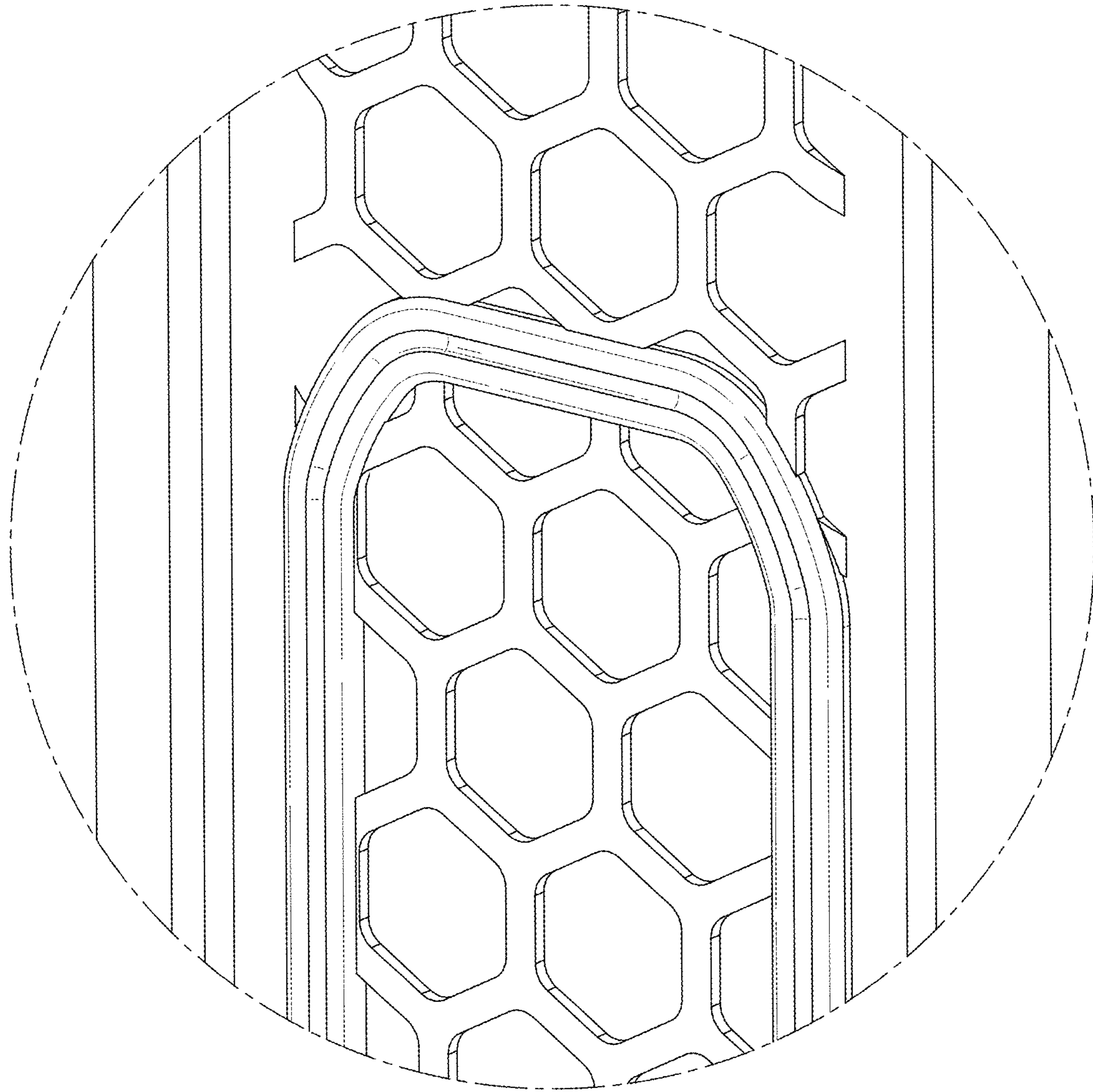


FIG. 13