



US00D940092S

(12) **United States Design Patent**  
**Onoue**

(10) **Patent No.:** **US D940,092 S**  
(45) **Date of Patent:** **\*\* Jan. 4, 2022**

(54) **PORTABLE COMMUNICATION DEVICE**

FOREIGN PATENT DOCUMENTS

(71) Applicant: **ICOM INCORPORATED**, Osaka (JP)

JP D1425625 S 10/2011

(72) Inventor: **Tsuyoshi Onoue**, Osaka (JP)

\* cited by examiner

(73) Assignee: **ICOM INCORPORATED**, Osaka (JP)

*Primary Examiner* — Bridget L Eland

(\*\*) Term: **15 Years**

(74) *Attorney, Agent, or Firm* — Birch, Stewart, Kolasch & Birch, LLP

(21) Appl. No.: **29/718,323**

(22) Filed: **Dec. 23, 2019**

(30) **Foreign Application Priority Data**

Jul. 2, 2019 (JP) ..... 2019-014821

(51) **LOC (13) Cl.** ..... **14-03**

(52) **U.S. Cl.**  
USPC ..... **D14/137**

(58) **Field of Classification Search**  
USPC ..... D14/137, 138 R, 138 AA, 138 AD;  
D10/104.1

CPC .... H04B 1/3833; H04B 1/385; H04B 1/3827;  
H04B 1/3855; H04B 2001/3861; H04B  
1/3888; H04M 1/0202; H04M 1/03;  
H04M 1/035; H01Q 1/42

See application file for complete search history.

(56) **References Cited**

U.S. PATENT DOCUMENTS

D842,830 S \* 3/2019 Nishida ..... D14/137  
D853,345 S \* 7/2019 Nishida ..... D14/137  
D898,689 S \* 10/2020 Nishizawa ..... D14/137  
D914,629 S \* 3/2021 Wang ..... D14/137

(57) **CLAIM**

The ornamental design for a portable communication device, as shown and described.

**DESCRIPTION**

FIG. 1 is a perspective view of the portable communication device;

FIG. 2 is a front view of the portable communication device; FIG. 3 is a rear view of the portable communication device; FIG. 4 is a left side view of the portable communication device;

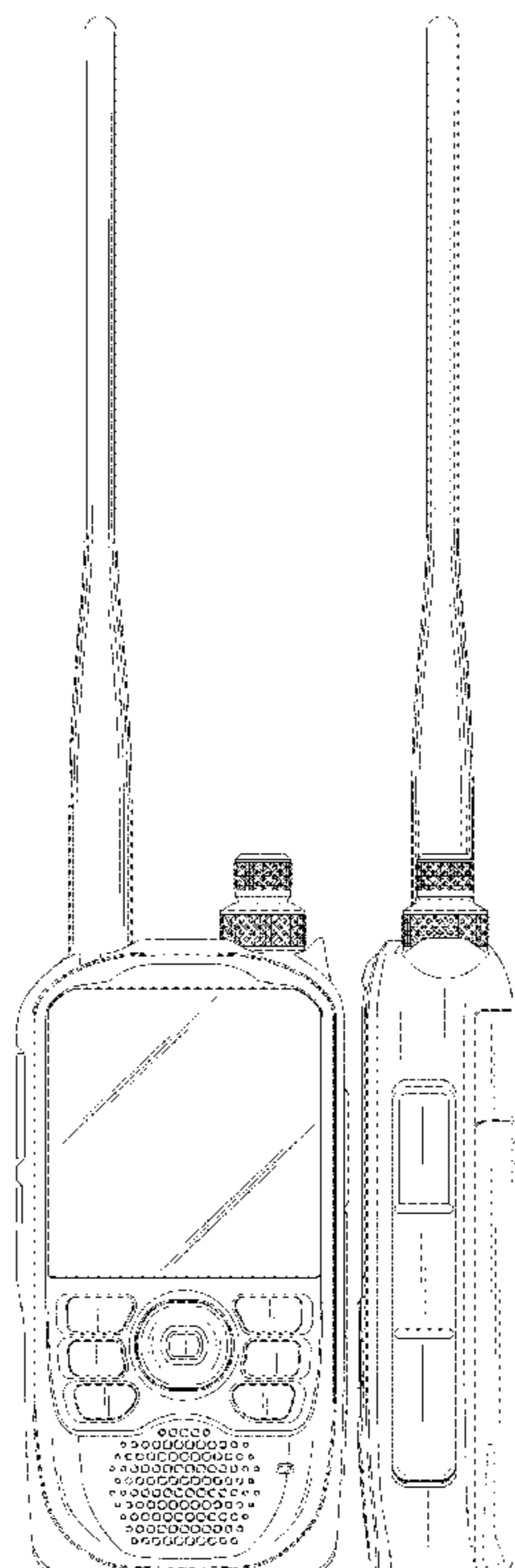
FIG. 5 is a right side view of the portable communication device;

FIG. 6 is a top view of the portable communication device; FIG. 7 is a bottom view of the portable communication device; and,

FIG. 8 is an enlarged bottom view of the portable communication device.

The broken lines in the drawings are for the purpose of illustrating portions of the portable communication device that form no part of the claimed design.

**1 Claim, 6 Drawing Sheets**



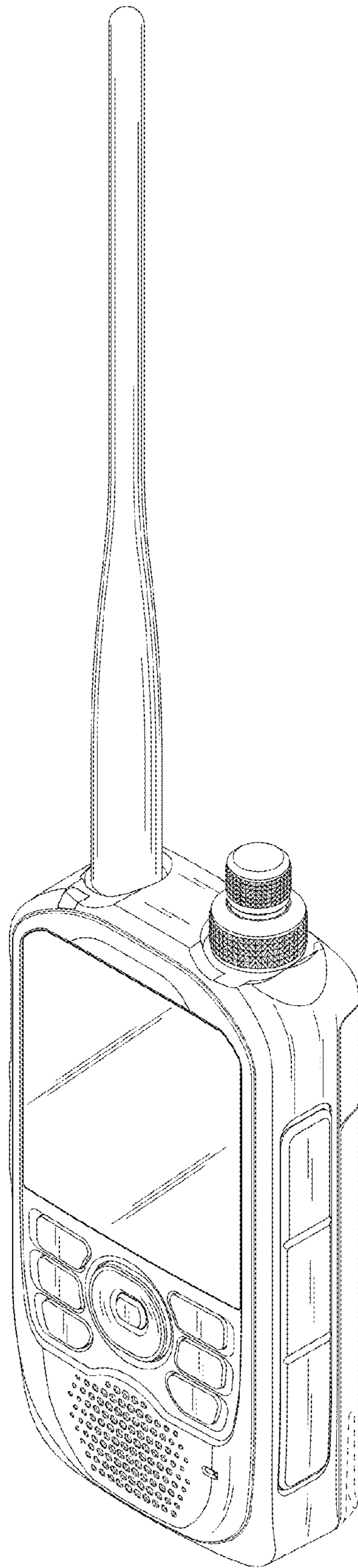


FIG.1

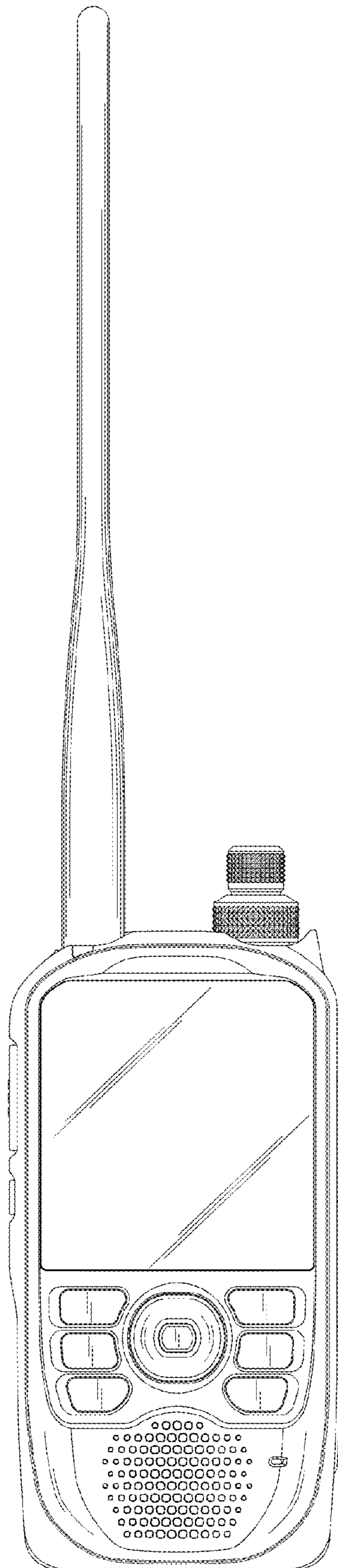


FIG.2

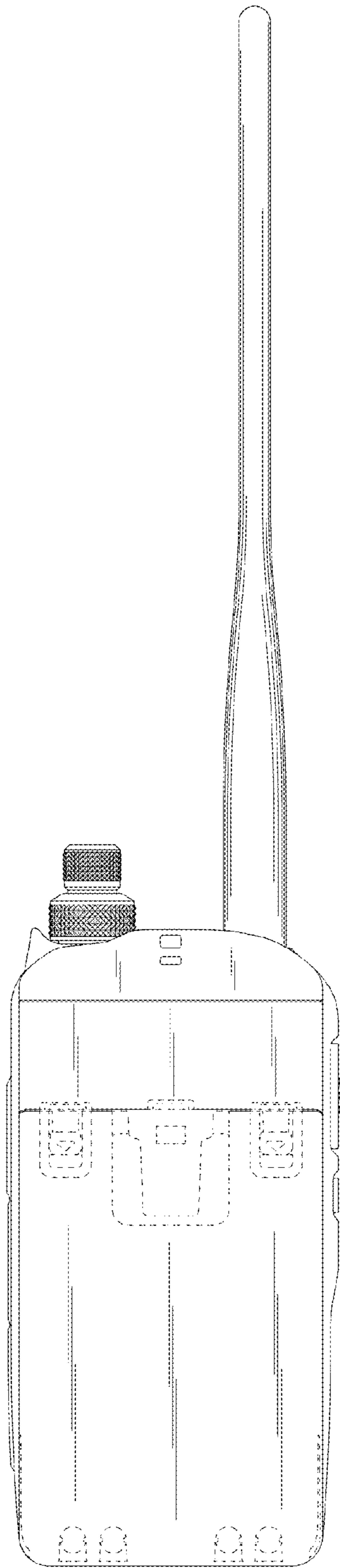


FIG.3

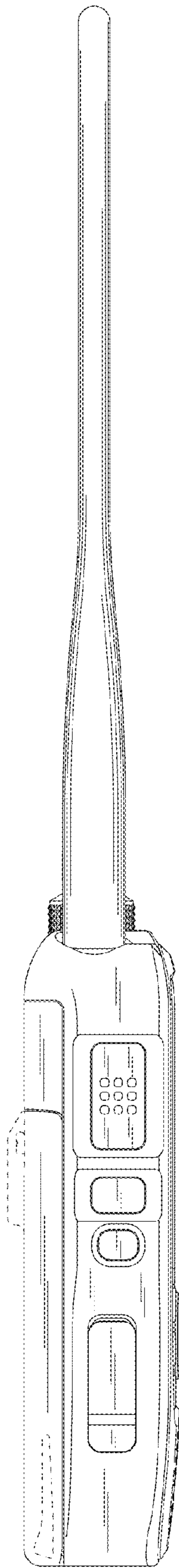


FIG. 4

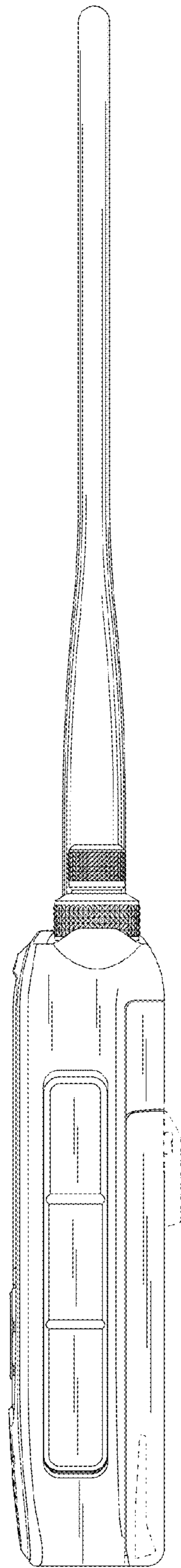


FIG. 5



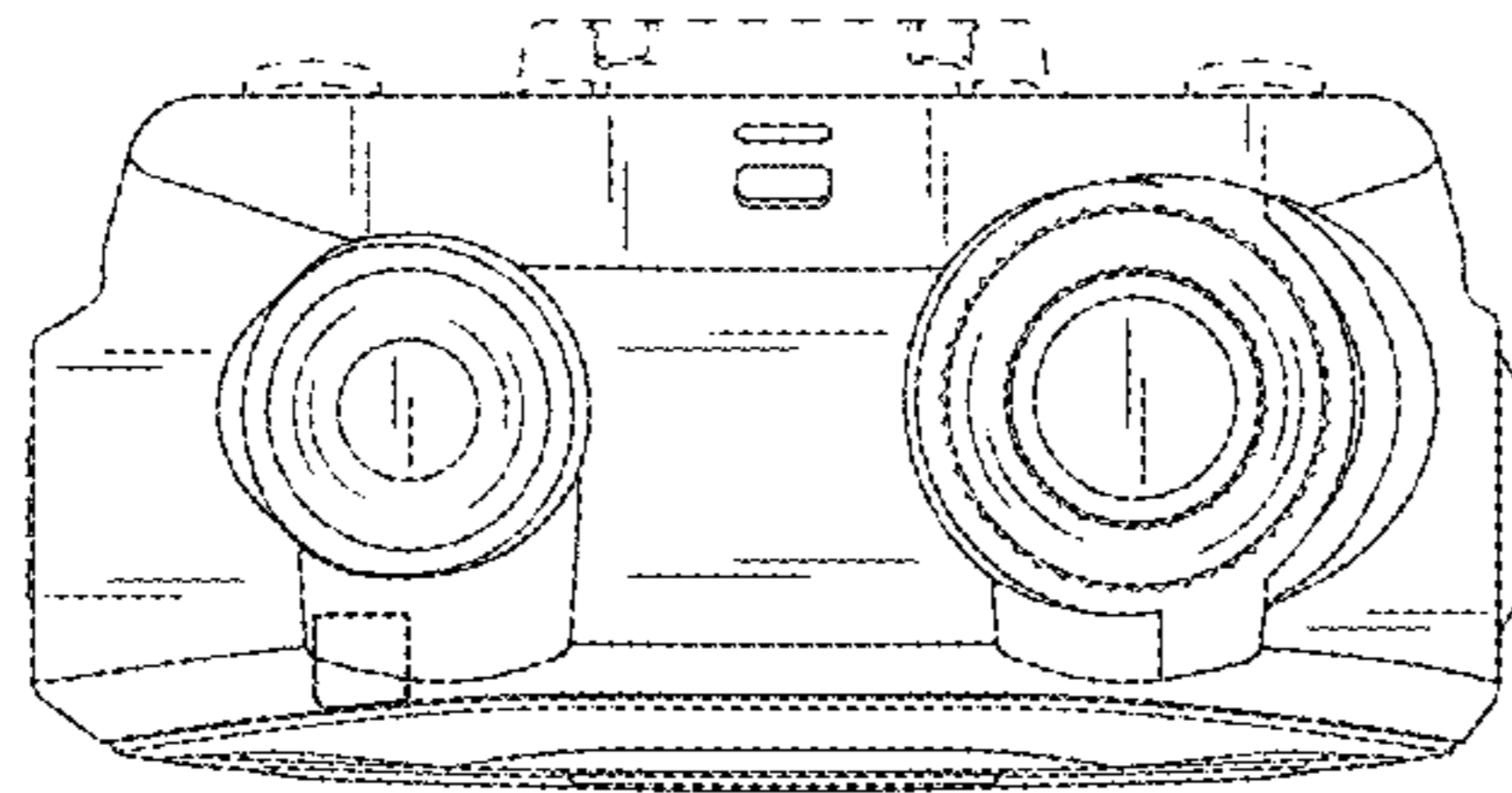


FIG. 6

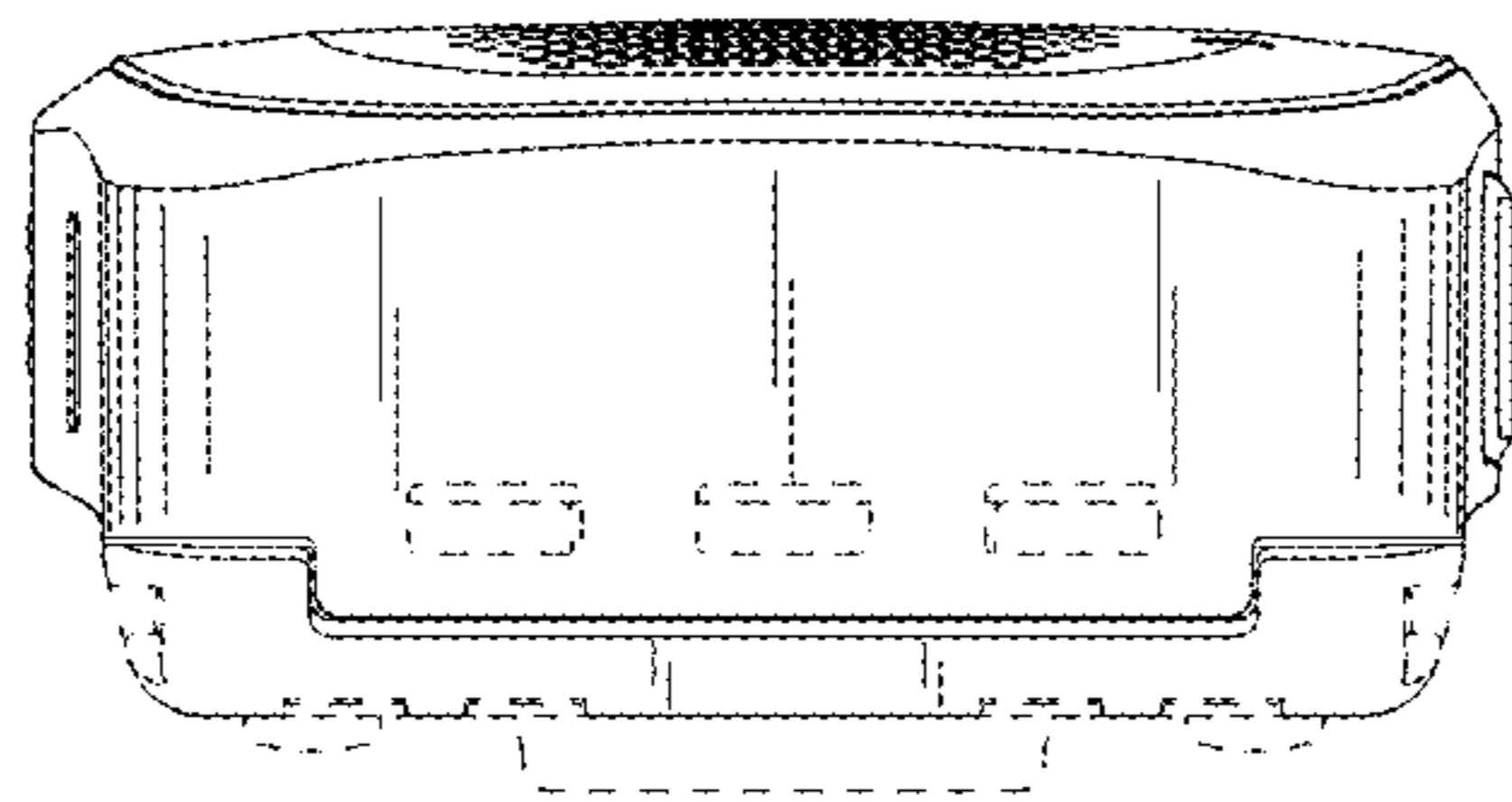


FIG. 7

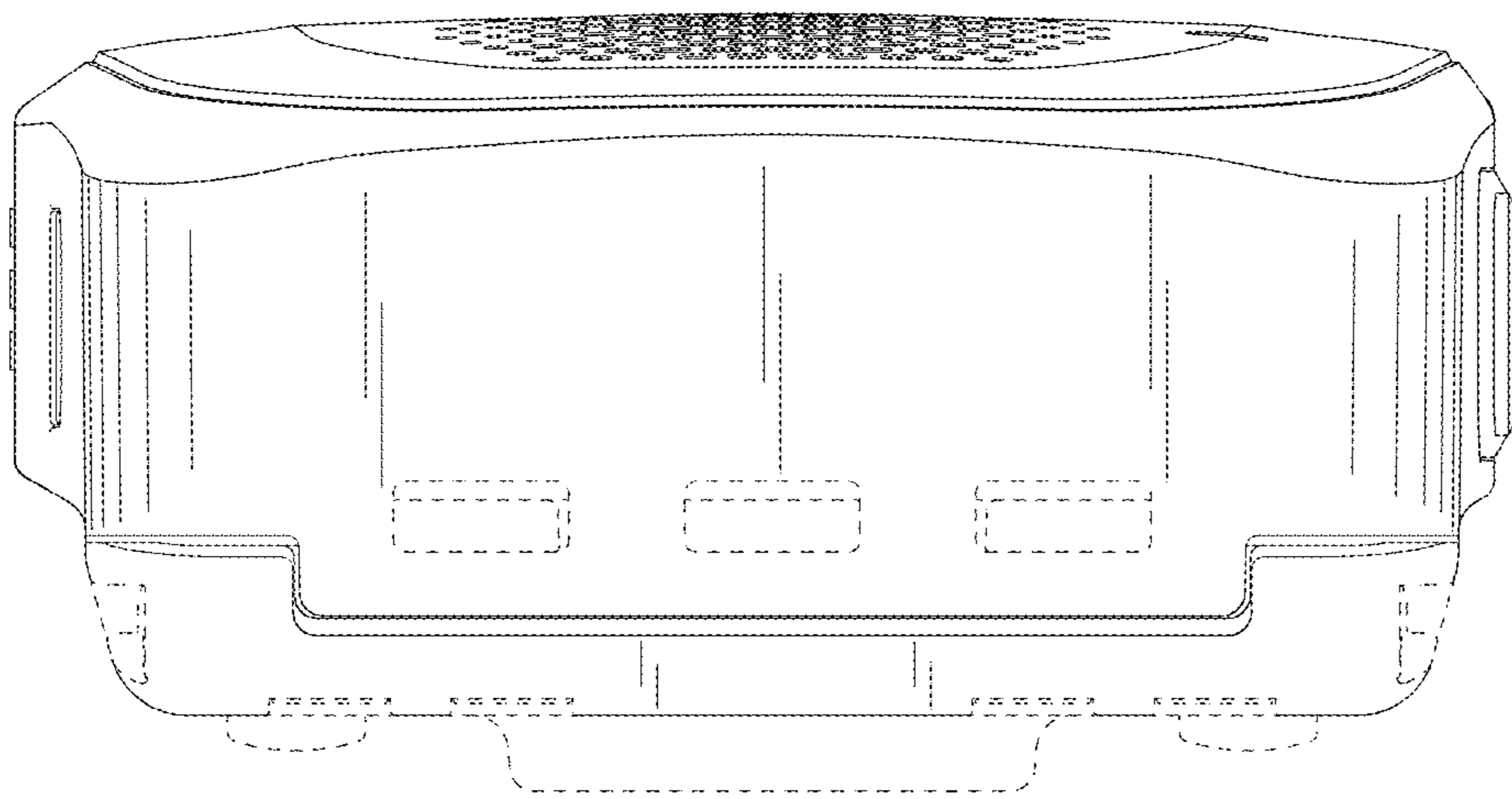


FIG.8