



US00D940089S

(12) **United States Design Patent** (10) **Patent No.:** **US D940,089 S**
Bruchschmidt et al. (45) **Date of Patent:** **** Jan. 4, 2022**

(54) **PUSH BUTTON**

(71) Applicant: **Eaton Intelligent Power Limited**,
Dublin (IE)

(72) Inventors: **Frank Bruchschmidt**, Dausenau (DE);
Oliver Knörrchen, Cologne (DE); **Nico
Clausnitzer**, Geisig (DE); **Torben
Uphoff**, Niederkassel (DE); **Petra Ries**,
Alfter (DE)

(73) Assignee: **EATON INTELLIGENT POWER
LIMITED**, Dublin (IE)

(**) Term: **15 Years**

(21) Appl. No.: **29/779,598**

(22) Filed: **Apr. 20, 2021**

Related U.S. Application Data

(62) Division of application No. 35/507,915, filed on Jul.
16, 2019 (U.S. filing date under 35 U.S.C. 384), and
having an international filing date of Jul. 16, 2019,
now Pat. No. Des. 924,822.

(30) **Foreign Application Priority Data**

Jan. 18, 2019 (EM) 006064283

(51) **LOC (13) Cl.** **13-03**

(52) **U.S. Cl.**
USPC **D13/174**

(58) **Field of Classification Search**

USPC D13/171, 174, 133, 151, 158, 173, 177,
D13/199; D14/188, 218, 358, 385, 456,
D14/496

CPC H01H 13/503; H01H 13/52; H01H 3/022;
H01H 3/02; H01H 3/50; H01H 3/564;
H01H 3/62; H01H 11/0012; H01H 1/20;
H01H 1/2008

See application file for complete search history.

(56) **References Cited**

U.S. PATENT DOCUMENTS

4,549,050 A * 10/1985 Lang H01H 9/182
200/310
D344,930 S * 3/1994 Schaeffer D13/171
D432,387 S * 10/2000 Hyp D8/300
D432,997 S * 10/2000 Bonn D13/174
D432,998 S 10/2000 Decosse
D437,835 S 2/2001 Decosse
D507,543 S 7/2005 Ishii et al.

(Continued)

Primary Examiner — Nathaniel D. Buckner

(74) *Attorney, Agent, or Firm* — Fitch, Even, Tabin &
Flannery, LLP

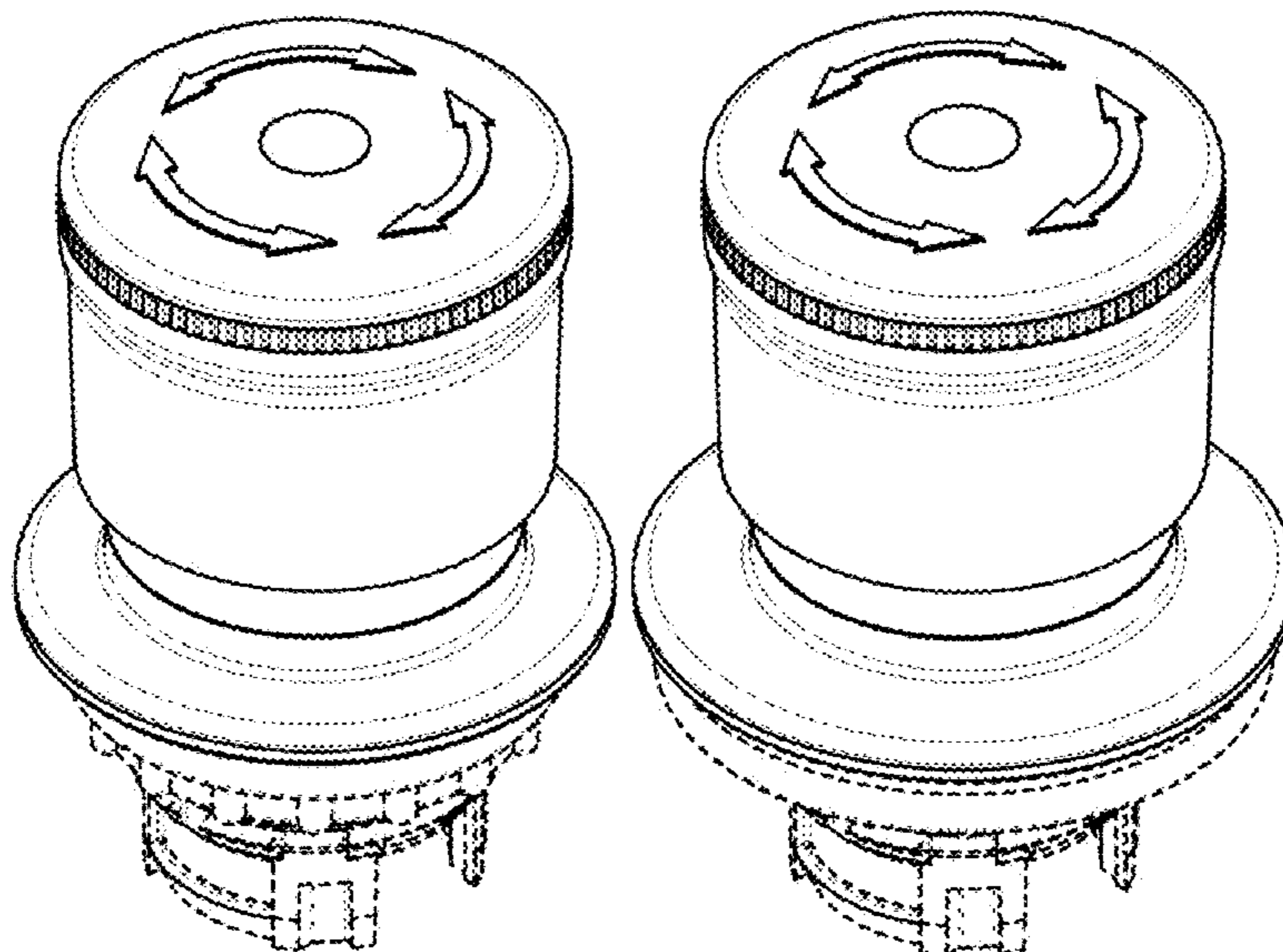
(57) **CLAIM**

The ornamental design for a push button, as shown and
described.

DESCRIPTION

FIG. 1 is a top plan view of a push button showing the first
embodiment of our new design;
FIG. 2 is a bottom plan view thereof;
FIG. 3 is a left side elevation view thereof;
FIG. 4 is a right side elevation view thereof;
FIG. 5 is a front elevation view thereof;
FIG. 6 is a rear elevation view thereof;
FIG. 7 is a top right perspective view thereof;
FIG. 8 is a top plan view of a push button showing the
second embodiment of our new design;
FIG. 9 is a bottom plan view thereof;
FIG. 10 is a left side elevation view thereof;
FIG. 11 is a right side elevation view thereof;
FIG. 12 is a front elevation view thereof;
FIG. 13 is a rear elevation view thereof; and,
FIG. 14 is a top right perspective view thereof.
All broken lines shown in the drawings depict portions of the
push button that form no part of the claimed design.

1 Claim, 14 Drawing Sheets



(56)

References Cited

U.S. PATENT DOCUMENTS

7,232,965	B2 *	6/2007	Gibbons	H01H 3/46 200/17 R
D559,797	S	1/2008	Neveu	
D596,584	S	7/2009	Bedggood	
D601,100	S *	9/2009	Wahrenberg	D13/171
D700,149	S	2/2014	Carlson et al.	
D725,612	S	3/2015	Schlegel et al.	
D749,050	S	2/2016	Zheng et al.	
D775,137	S	12/2016	Zhou	
9,589,741	B2	3/2017	Wiese et al.	
9,613,761	B2	4/2017	Bruchschmidt et al.	
D799,434	S	10/2017	Ott et al.	
D840,956	S	2/2019	Wiese et al.	
D851,610	S *	6/2019	Schlegel	D13/174
D886,750	S	6/2020	Andersson et al.	
10,692,666	B2 *	6/2020	Mora	H01H 9/02
10,714,278	B2 *	7/2020	Wu	H01H 13/14
10,998,150	B2 *	5/2021	Ogawa	H01H 13/52
2009/0200145	A1	8/2009	Scherl et al.	
2010/0243418	A1 *	9/2010	Machida	H01H 3/022 200/341
2012/0103774	A1 *	5/2012	Jun	H01H 3/022 200/345
2015/0340178	A1 *	11/2015	Shimoyama	H01H 13/14 200/4

* cited by examiner

Fig. 1

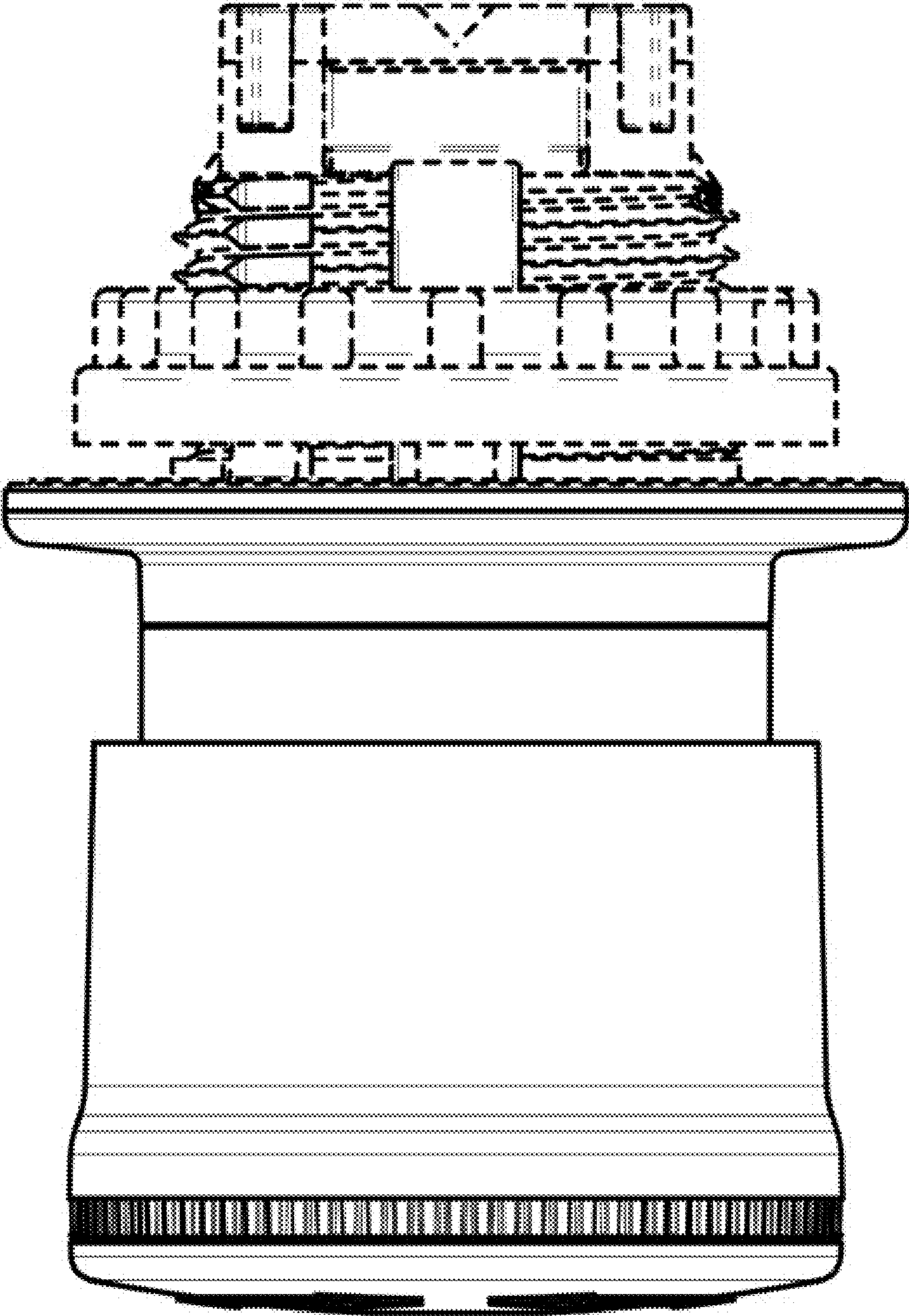


Fig. 2

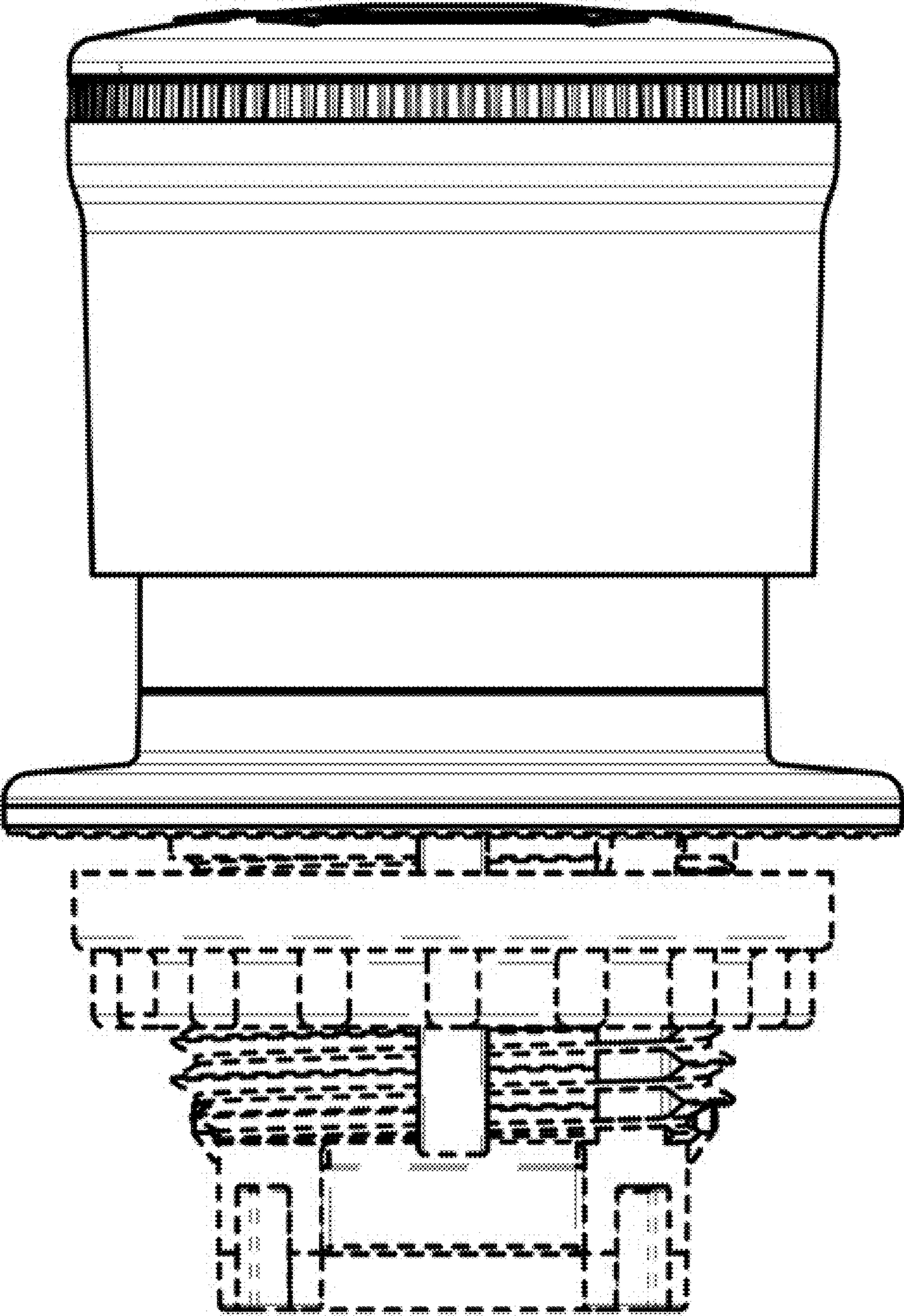


Fig. 3

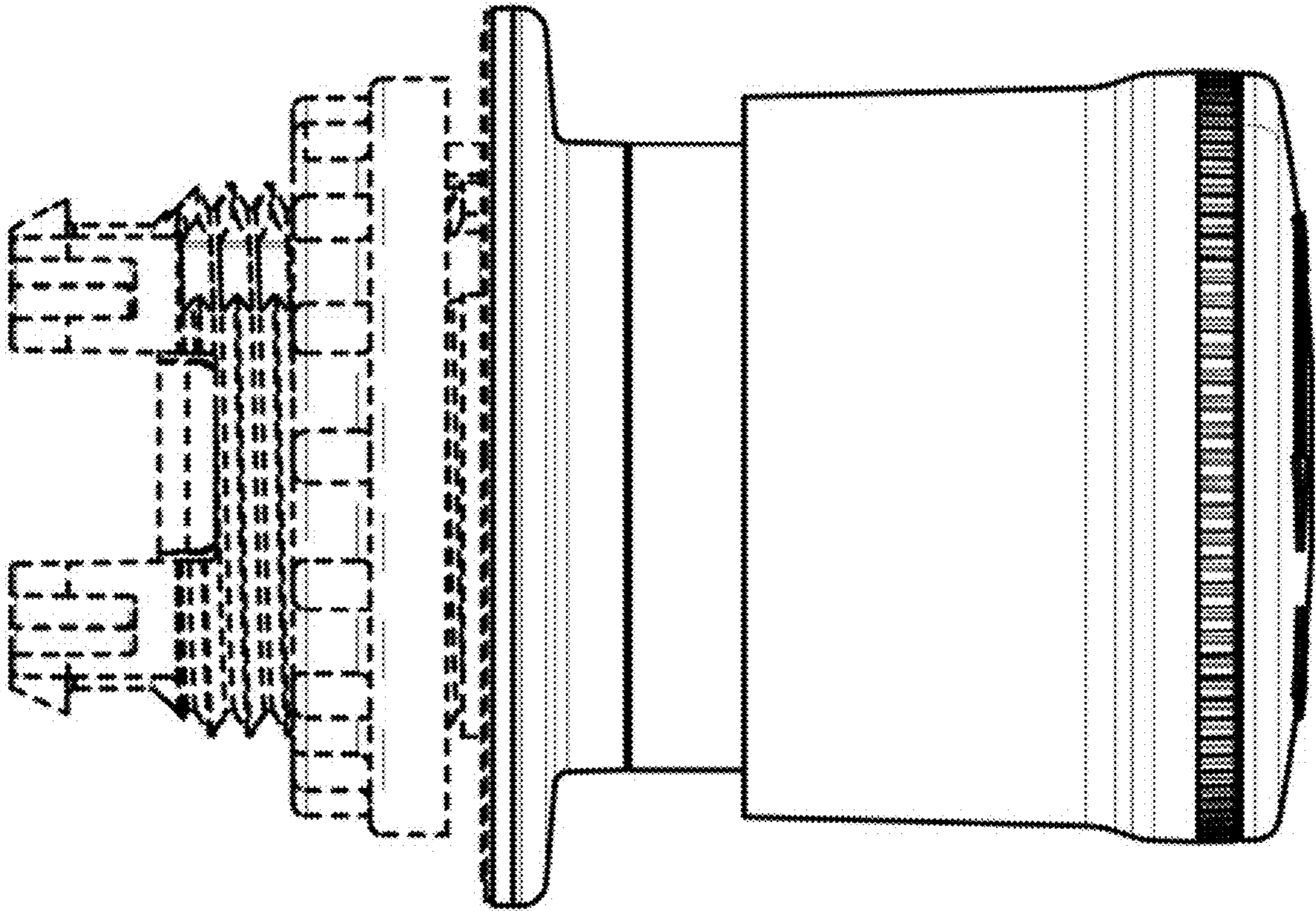


Fig. 4

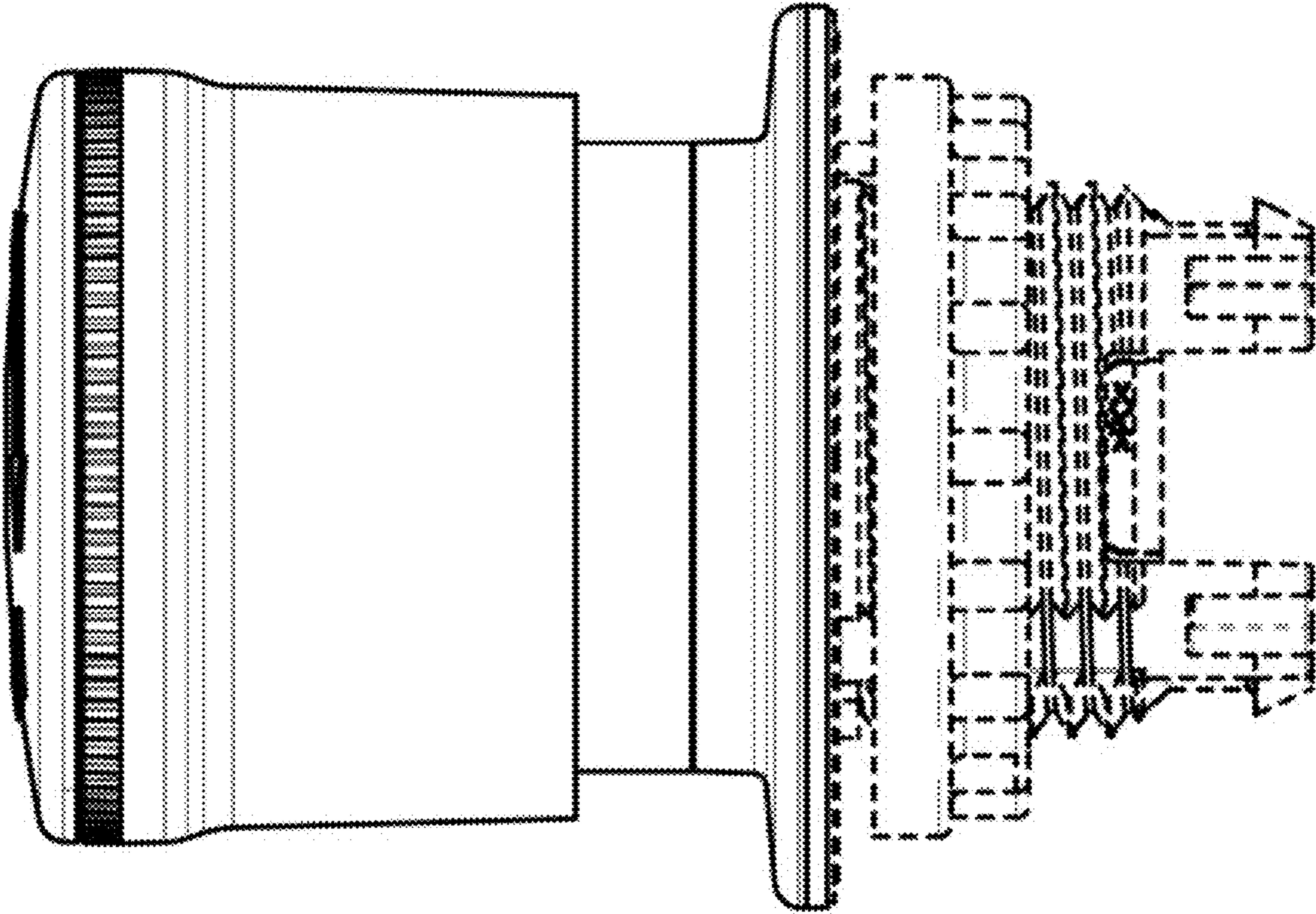


Fig. 5

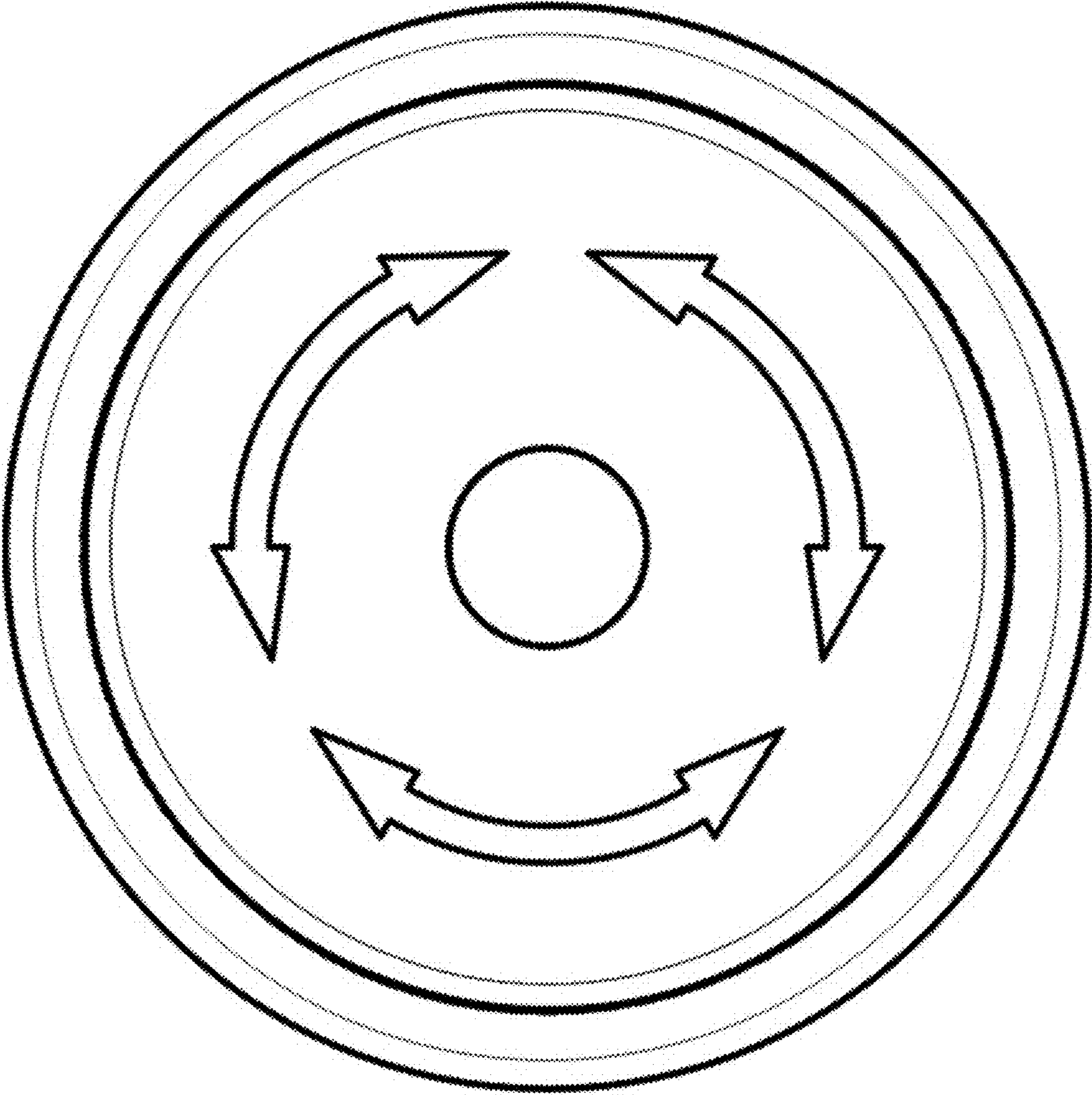


Fig. 6

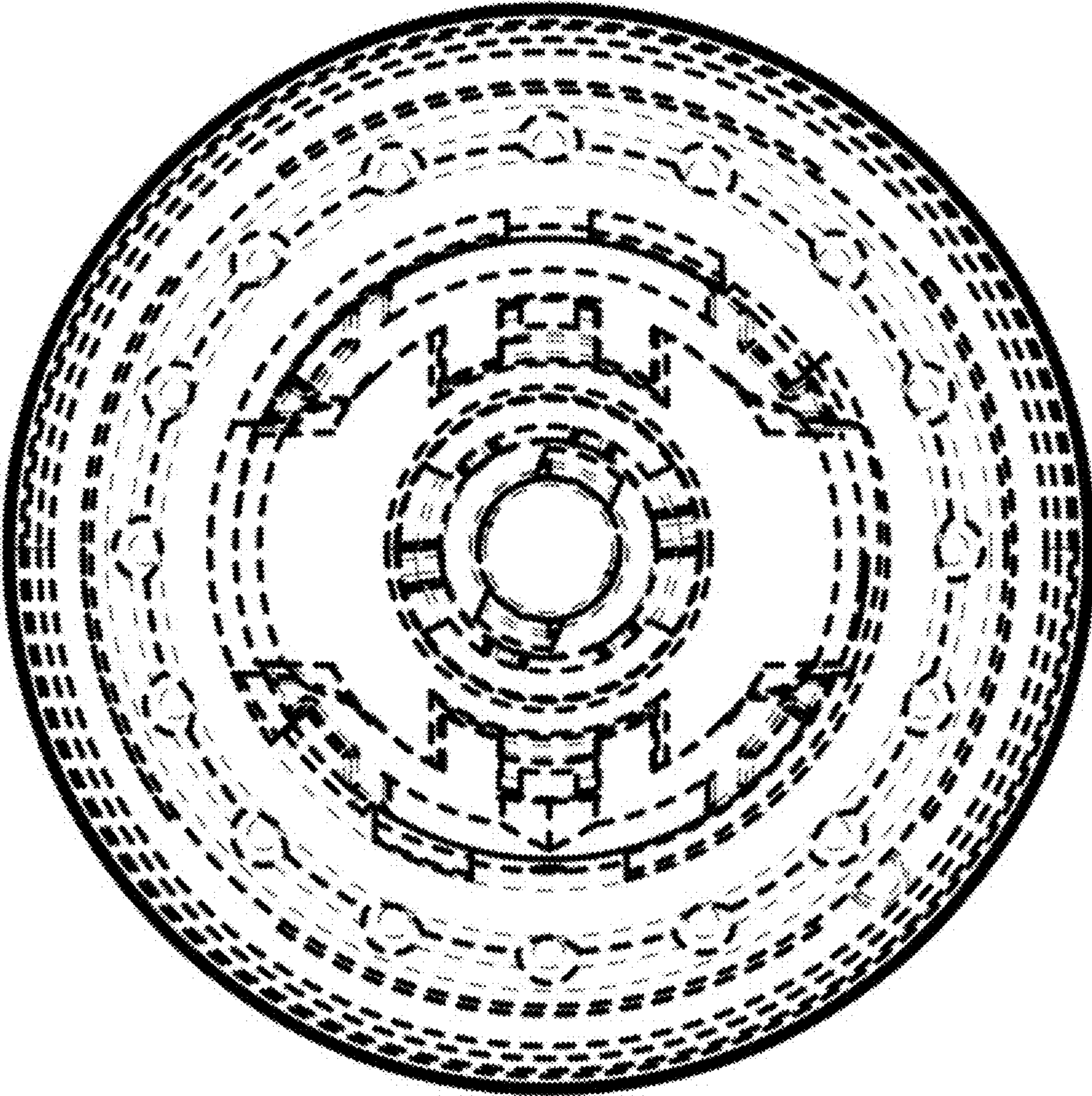


Fig. 7

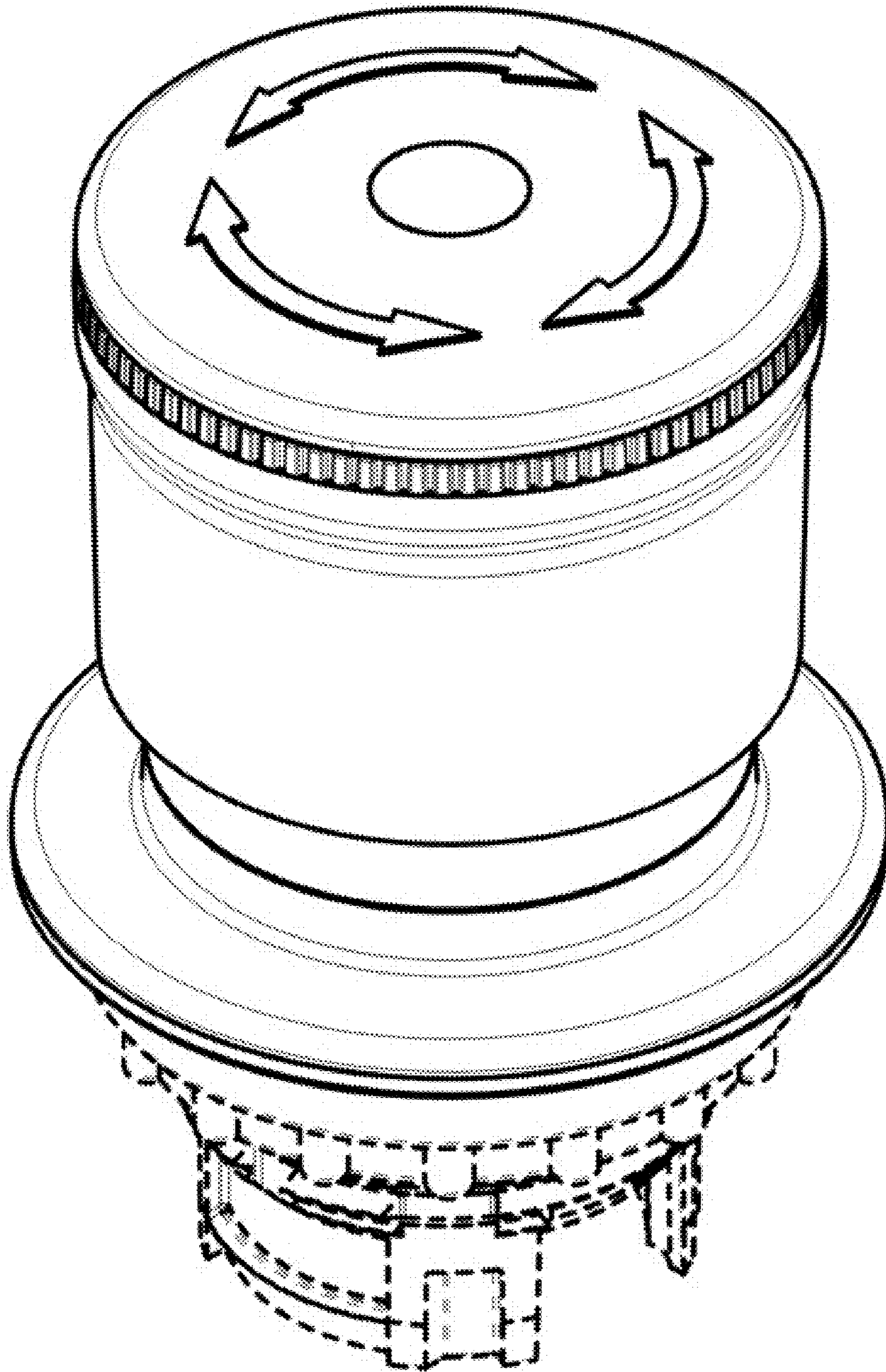


Fig. 8

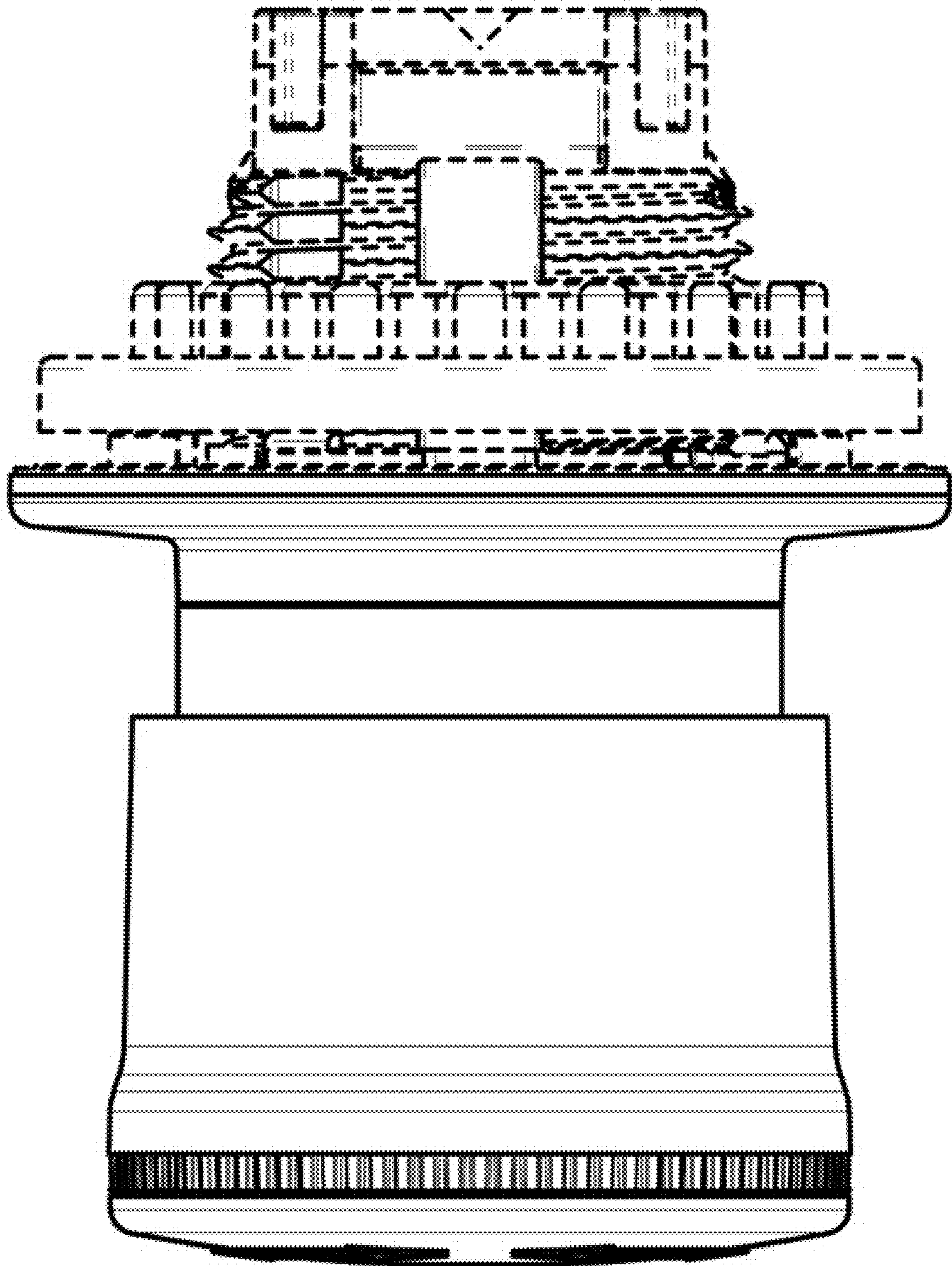


Fig. 9

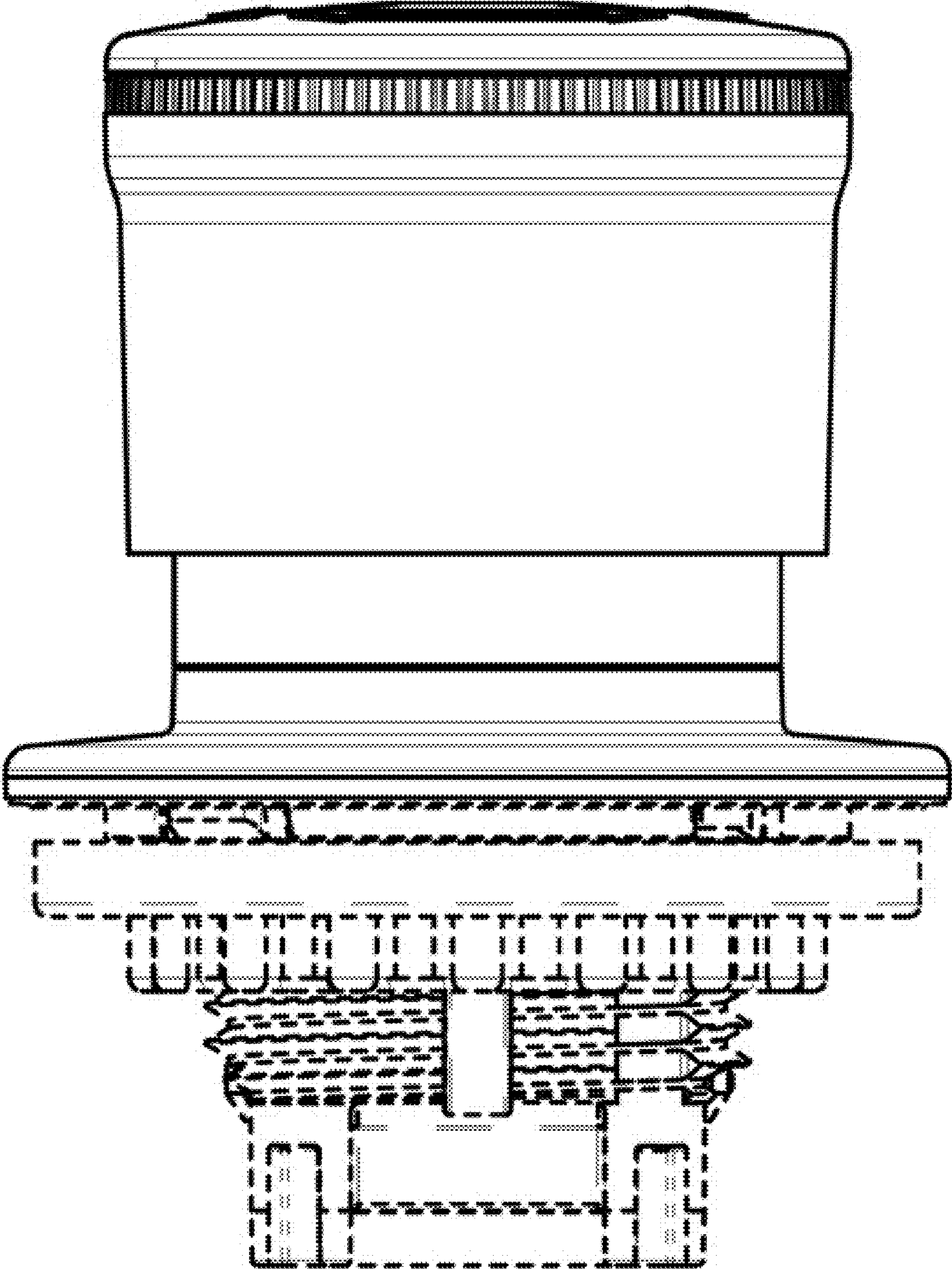


Fig. 10

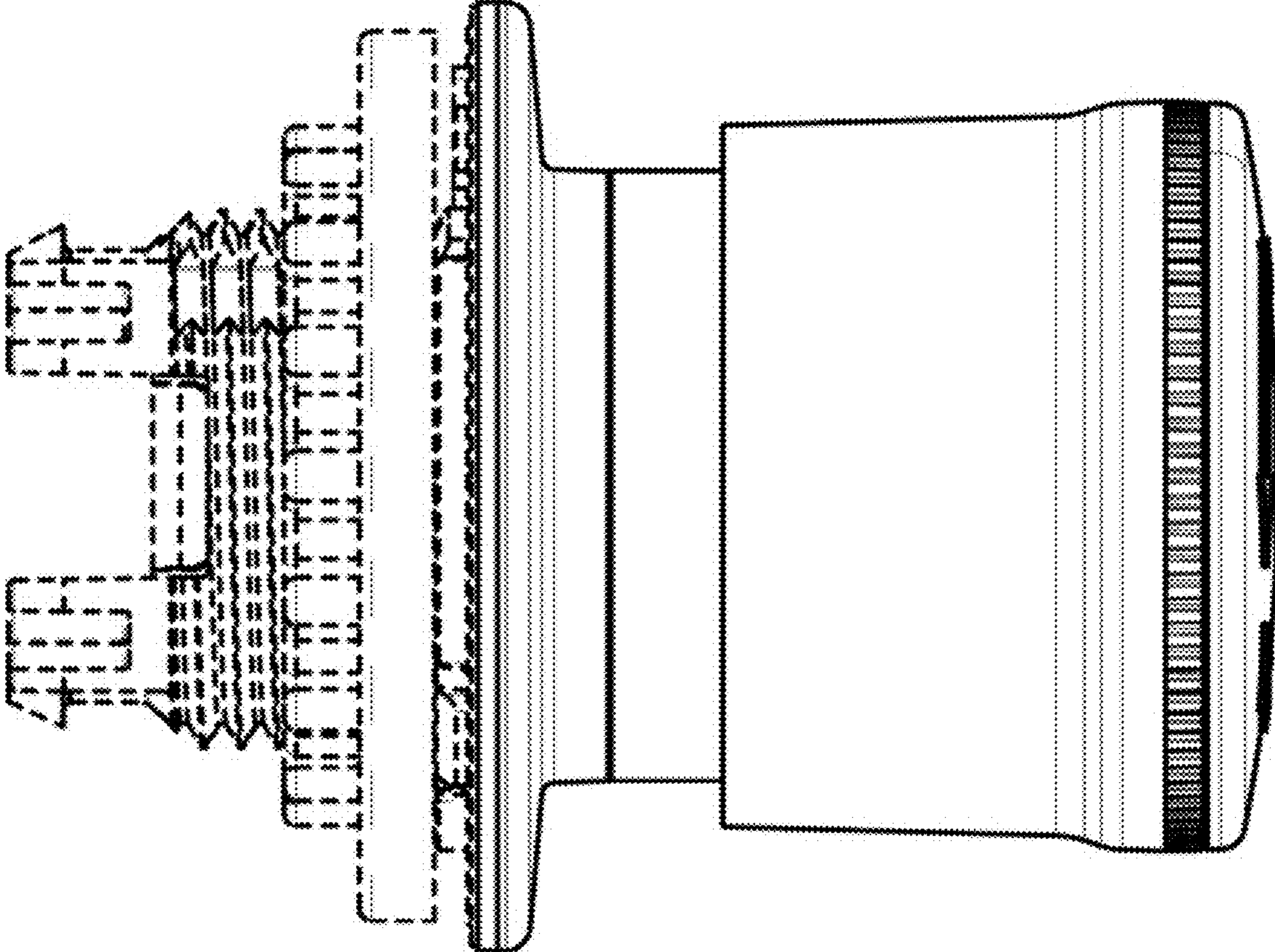


Fig. 11

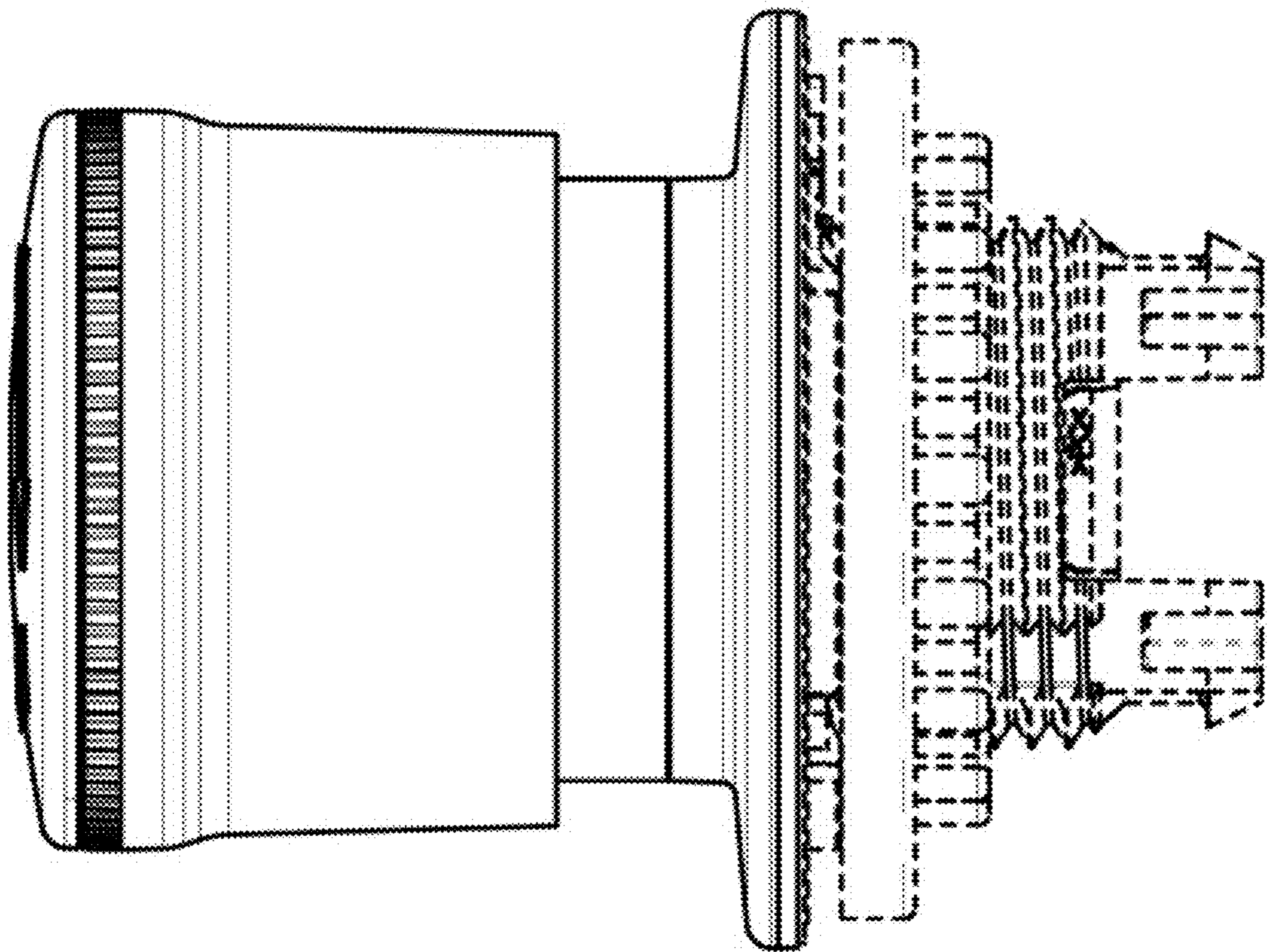


Fig. 12

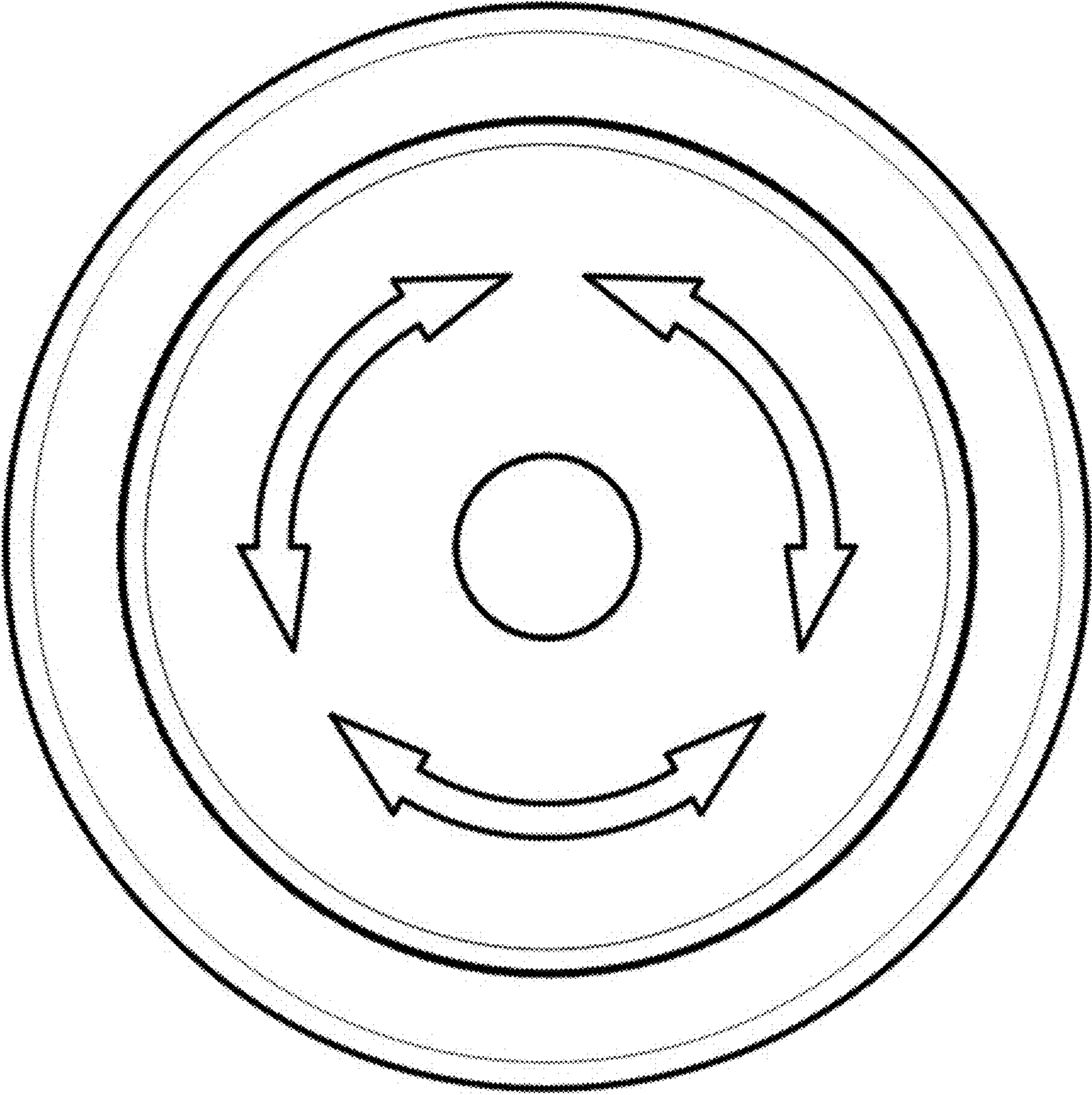


Fig. 13

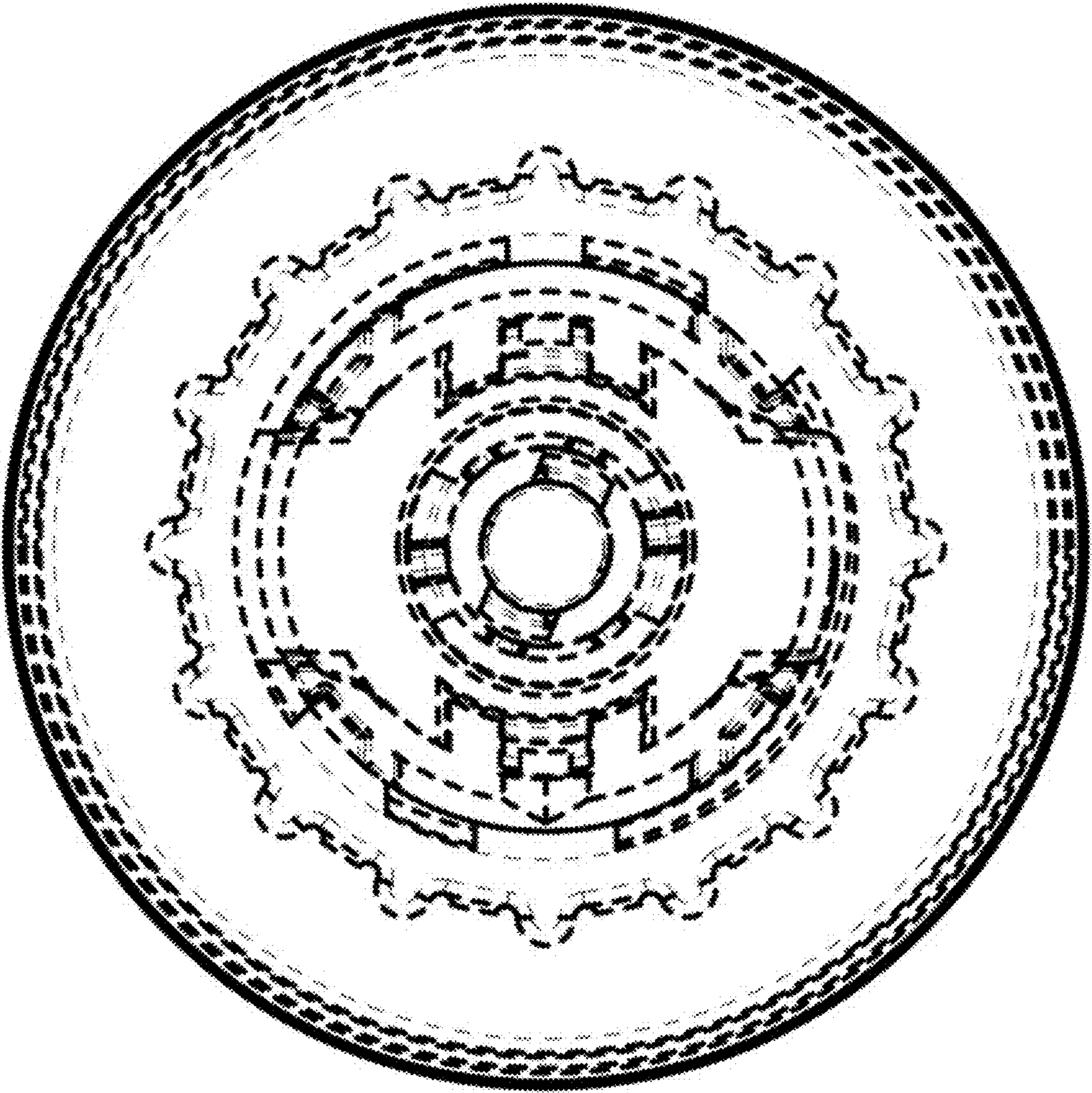


Fig. 14

