



US00D940085S

(12) **United States Design Patent**
Pan et al.

(10) **Patent No.:** **US D940,085 S**
(45) **Date of Patent:** **** Jan. 4, 2022**

(54) **WATERPROOF CONTROLLER FOR LIGHTING SYSTEM**

(71) Applicant: **Shenzhen Intellirocks Tech. Co., Ltd.**,
Shenzhen (CN)

(72) Inventors: **Jinyu Pan**, Shenzhen (CN); **Wenlong Wu**,
Shenzhen (CN)

(73) Assignee: **Shenzhen Intellirocks Tech. Co., Ltd.**,
Shenzhen (CN)

(**) Term: **15 Years**

(21) Appl. No.: **29/750,105**

(22) Filed: **Sep. 11, 2020**

(51) **LOC (13) Cl.** **14-03**

(52) **U.S. Cl.**
USPC **D13/168**

(58) **Field of Classification Search**
USPC D13/162, 168; D14/155, 217, 218, 358,
D14/433, 434, 480.4, 480.5, 480.7
CPC G08C 17/02; G09F 23/00; H01H 9/02;
H01H 9/0214; H01H 9/0235; H04B
1/202; F21S 4/00; F21S 4/10; F21S 4/20
See application file for complete search history.

(56) **References Cited**

U.S. PATENT DOCUMENTS

D367,261 S *	2/1996	Hansen	D13/138.1
D391,922 S *	3/1998	Aromin	D13/160
D626,921 S *	11/2010	Pang	D13/158
D736,704 S *	8/2015	Liu	D13/108
9,332,615 B1 *	5/2016	Peng	H01H 9/0228
D796,484 S *	9/2017	Chen	D14/218
D818,971 S *	5/2018	Peng	D13/171
D840,954 S *	2/2019	Wu	D13/168
D867,367 S *	11/2019	Wang	D14/433
D875,692 S *	2/2020	Shi	D13/168
D887,374 S *	6/2020	Gong	D13/168

D891,377 S *	7/2020	Ahrari	D13/168
D892,064 S *	8/2020	Tang	D13/168
D900,789 S *	11/2020	Chen	D14/218
D910,580 S *	2/2021	Zhu	D13/168
D911,295 S *	2/2021	Chen	D13/168
D916,034 S *	4/2021	Shi	D13/168
D917,404 S *	4/2021	Xu	D13/168
2007/0279920 A1 *	12/2007	Lin	F21S 4/10 362/362
2011/0050106 A1 *	3/2011	Yang	H05B 39/04 315/133
2014/0268736 A1 *	9/2014	Ratkus	F21V 17/107 362/235
2016/0076717 A1 *	3/2016	Magner	F21S 4/10 362/190
2016/0309251 A1 *	10/2016	Poulsen	H04R 5/04

(Continued)

Primary Examiner — Selina Sikder

(74) Attorney, Agent, or Firm — Kilpatrick Townsend &
Stockton LLP

(57) **CLAIM**

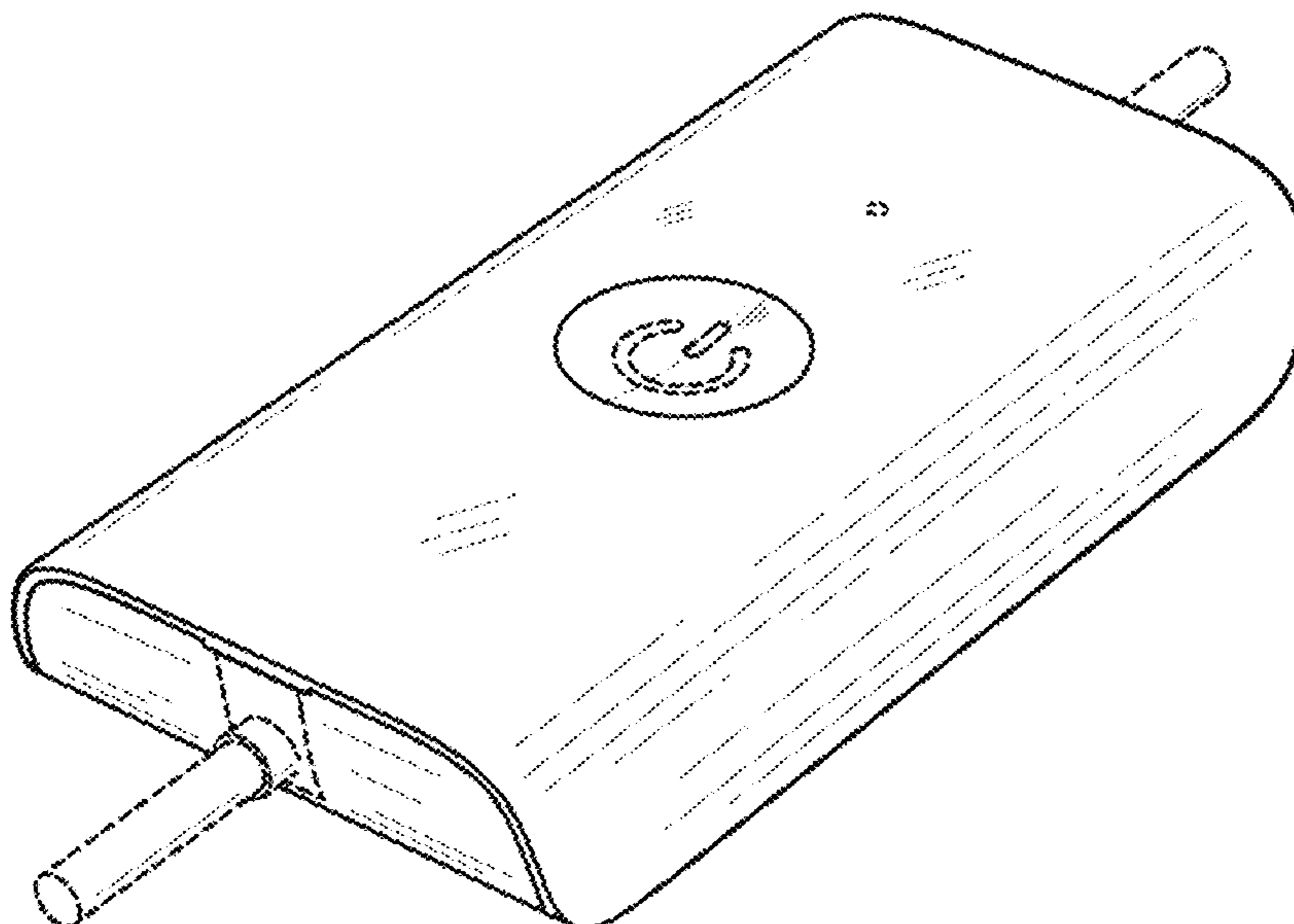
The ornamental design for a waterproof controller for light-
ing system, as shown and described.

DESCRIPTION

FIG. 1 is a front view of a waterproof controller for lighting
system, showing our new design;
FIG. 2 is a back view thereof;
FIG. 3 is a left view thereof;
FIG. 4 is a right view thereof;
FIG. 5 is a top view thereof;
FIG. 6 is a bottom view thereof;
FIG. 7 is a front perspective view thereof; and,
FIG. 8 is a back perspective view thereof.

The broken line showing of the waterproof controller for
lighting system is for the purpose of illustrating unclaimed
portions of the waterproof controller for lighting system and
forms no part of the claimed design.

1 Claim, 8 Drawing Sheets



(56)

References Cited

U.S. PATENT DOCUMENTS

2018/0149345 A1* 5/2018 Zhang F21V 23/003
2019/0069649 A1* 3/2019 Qin F21S 9/02

* cited by examiner

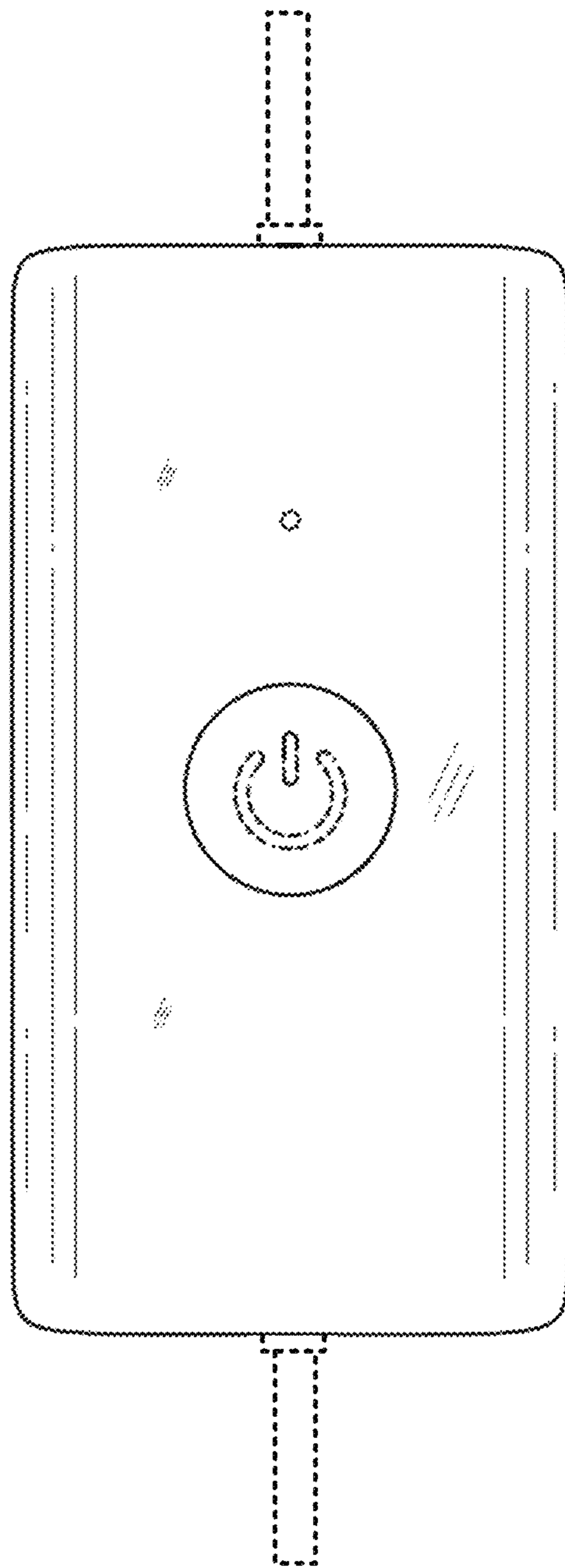


FIG. 1

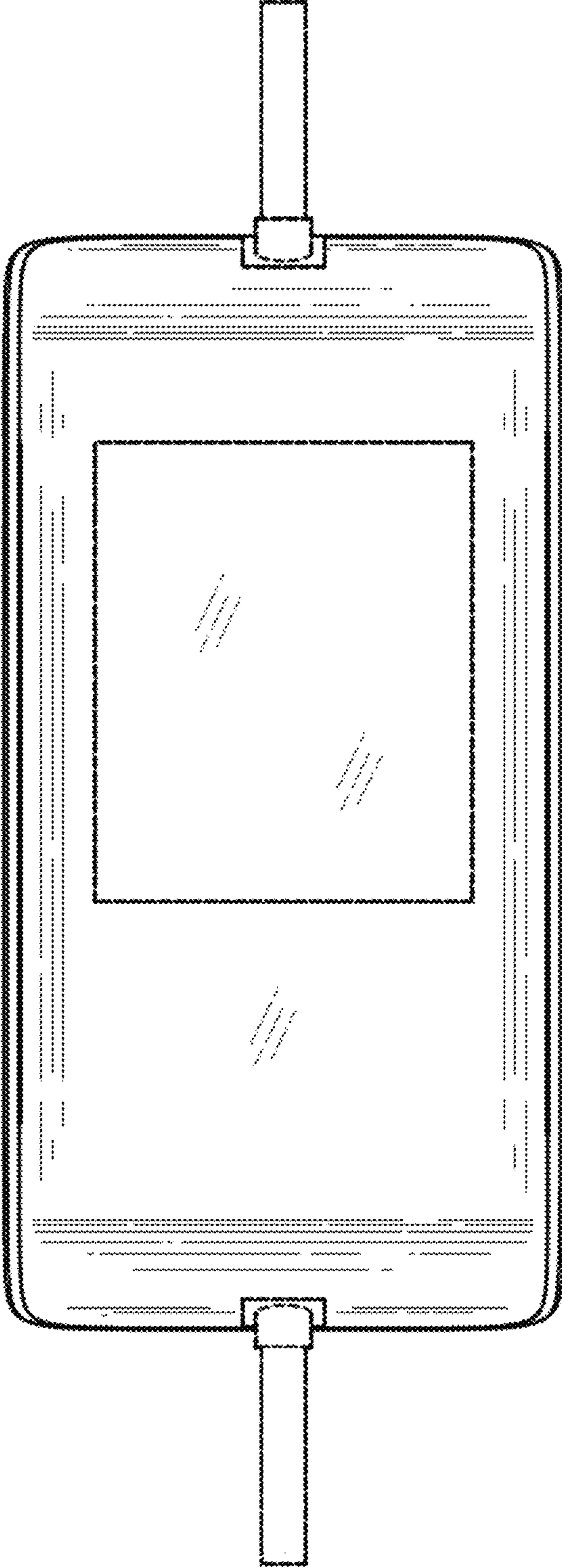


FIG. 2

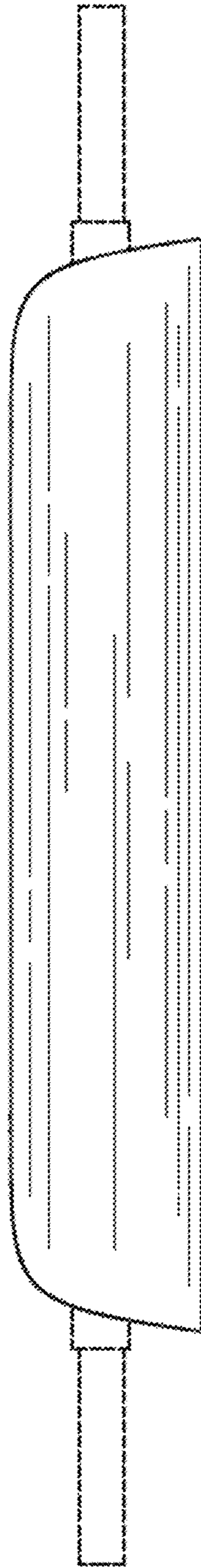


FIG. 3

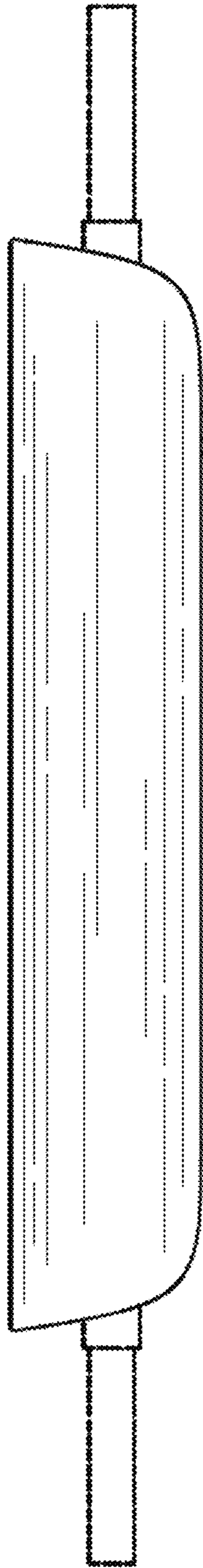


FIG. 4

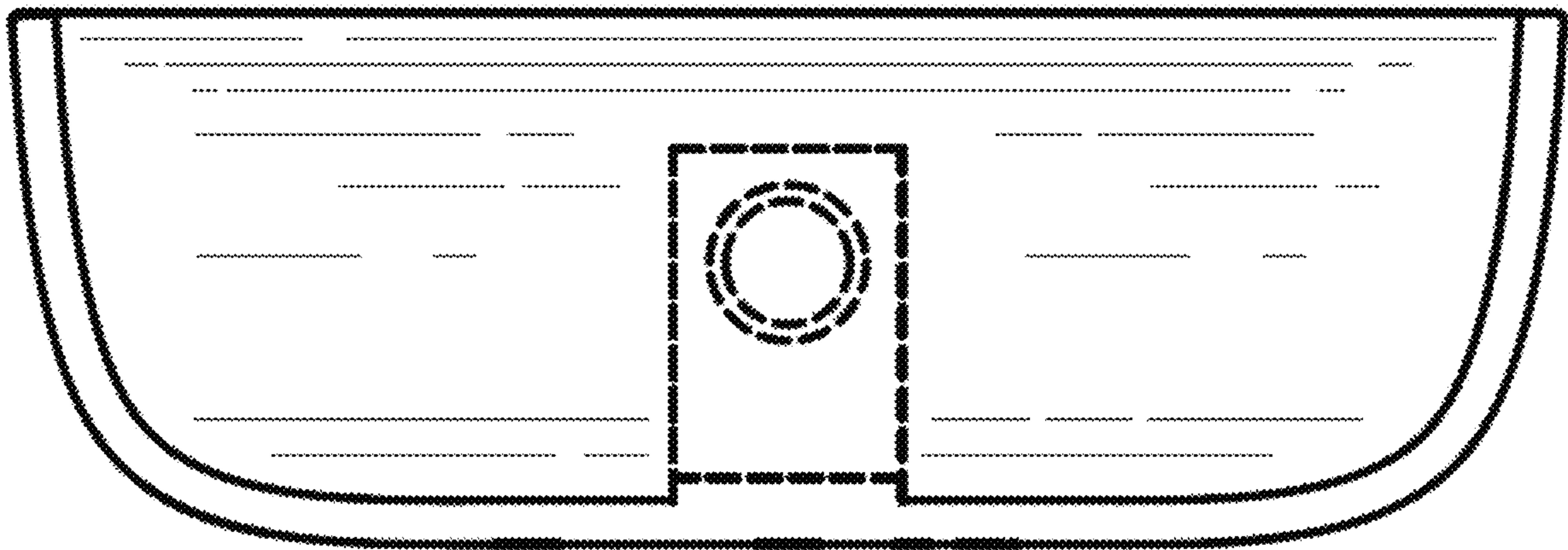


FIG. 5

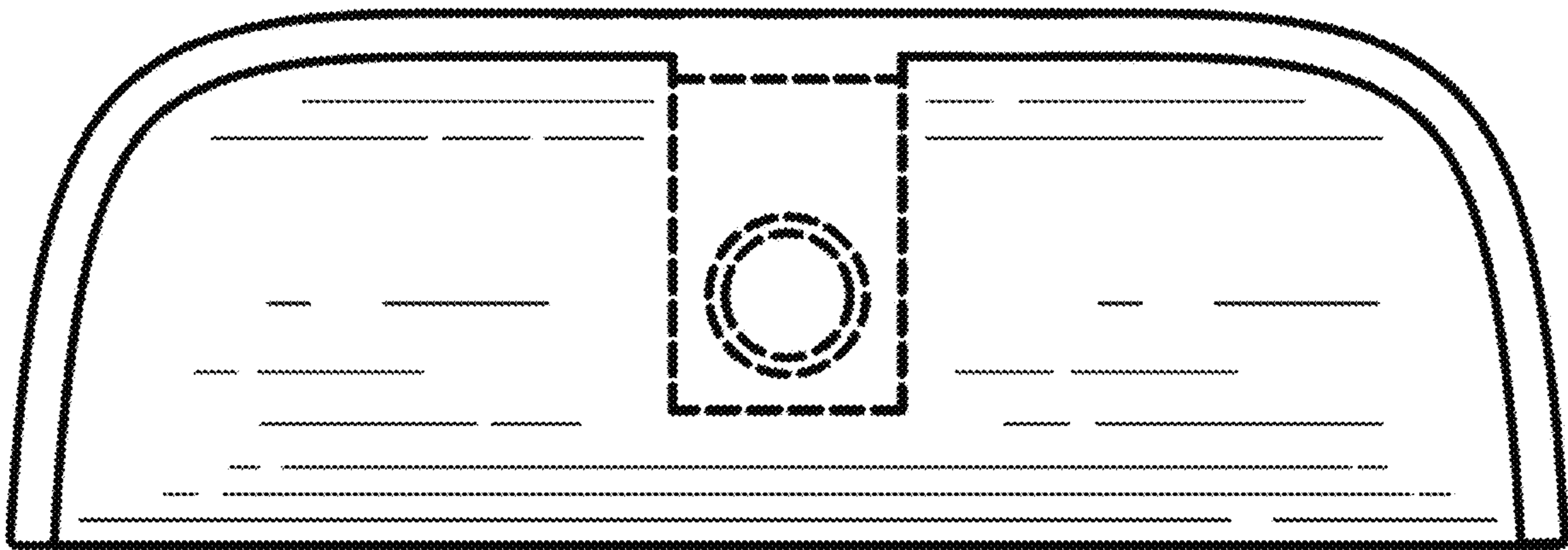


FIG. 6

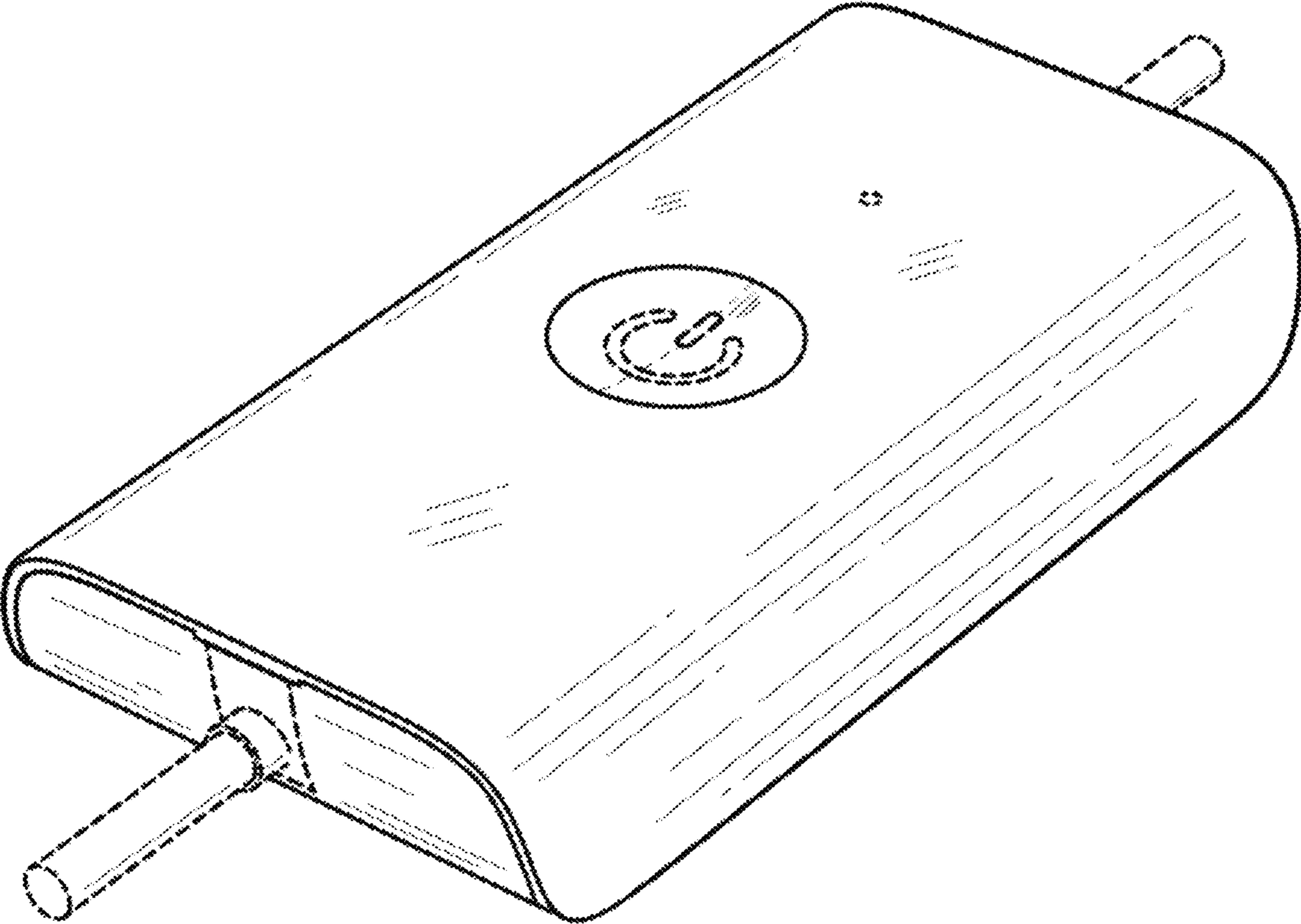


FIG. 7

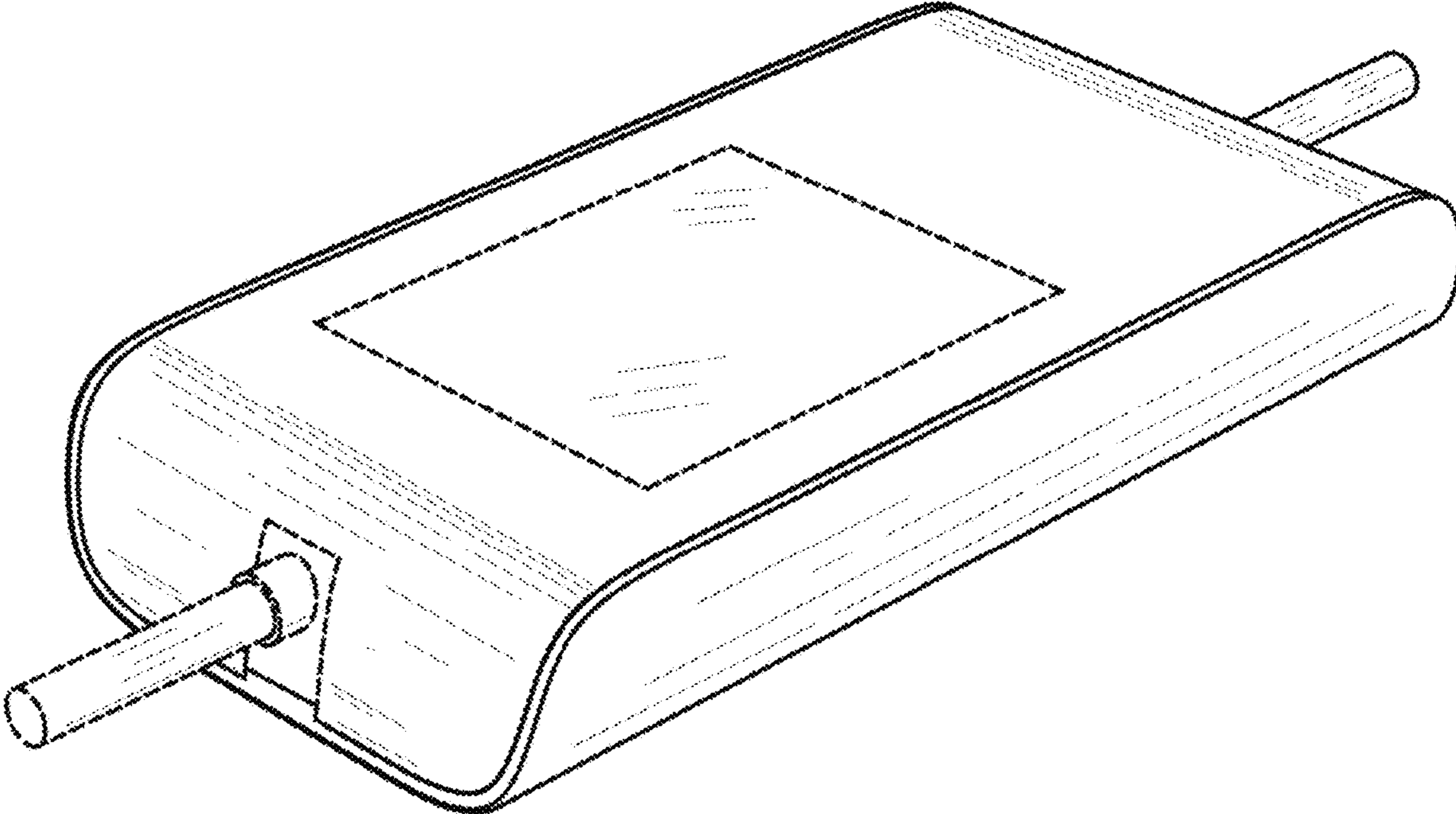


FIG. 8