



US00D940079S

(12) **United States Design Patent**
Baldwin

(10) **Patent No.:** **US D940,079 S**
(45) **Date of Patent:** **** Jan. 4, 2022**

(54) **PARTIAL DUPLEX ADAPTER INSERT**

(71) Applicant: **Jeffrey P. Baldwin**, Phoenix, AZ (US)

(72) Inventor: **Jeffrey P. Baldwin**, Phoenix, AZ (US)

(**) Term: **15 Years**

(21) Appl. No.: **29/649,136**

(22) Filed: **May 25, 2018**

(51) **LOC (13) Cl.** **13-02**

(52) **U.S. Cl.**
USPC **D13/118**

(58) **Field of Classification Search**

USPC ... D13/103, 125, 137.1, 137.2, 137.3, 138.1,
D13/138.2, 139.1, 139.3, 139.8, 146, 147,
D13/152, 154, 156, 158, 169, 170, 171,
D13/173, 177; D14/159; D25/60;
D26/24, 25, 26, 34, 37, 51, 72, 73, 80,
D26/81, 85, 87, 88, 89, 92
CPC H01H 23/04; H01R 13/443; H01R 13/447;
H01R 13/512; H01R 24/76; H01R
25/006; H02G 3/14

See application file for complete search history.

(56) **References Cited**

U.S. PATENT DOCUMENTS

4,134,516 A * 1/1979 Sullo H02B 1/066
174/67
4,711,634 A * 12/1987 Antone, II H01R 13/447
174/67

D429,829 S * 8/2000 Doran D13/137.1
6,855,887 B1 * 2/2005 Fox H02G 3/123
174/50
D576,866 S * 9/2008 Kidman D8/353
D821,179 S * 6/2018 Exley D8/353
10,305,216 B1 * 5/2019 Shotey H02G 3/14
10,522,936 B2 * 12/2019 Martin H01R 13/447

* cited by examiner

Primary Examiner — Manpreet S Matharu

Assistant Examiner — Suzanne E Tisdell

(74) *Attorney, Agent, or Firm* — Booth Udall Fuller, PLC

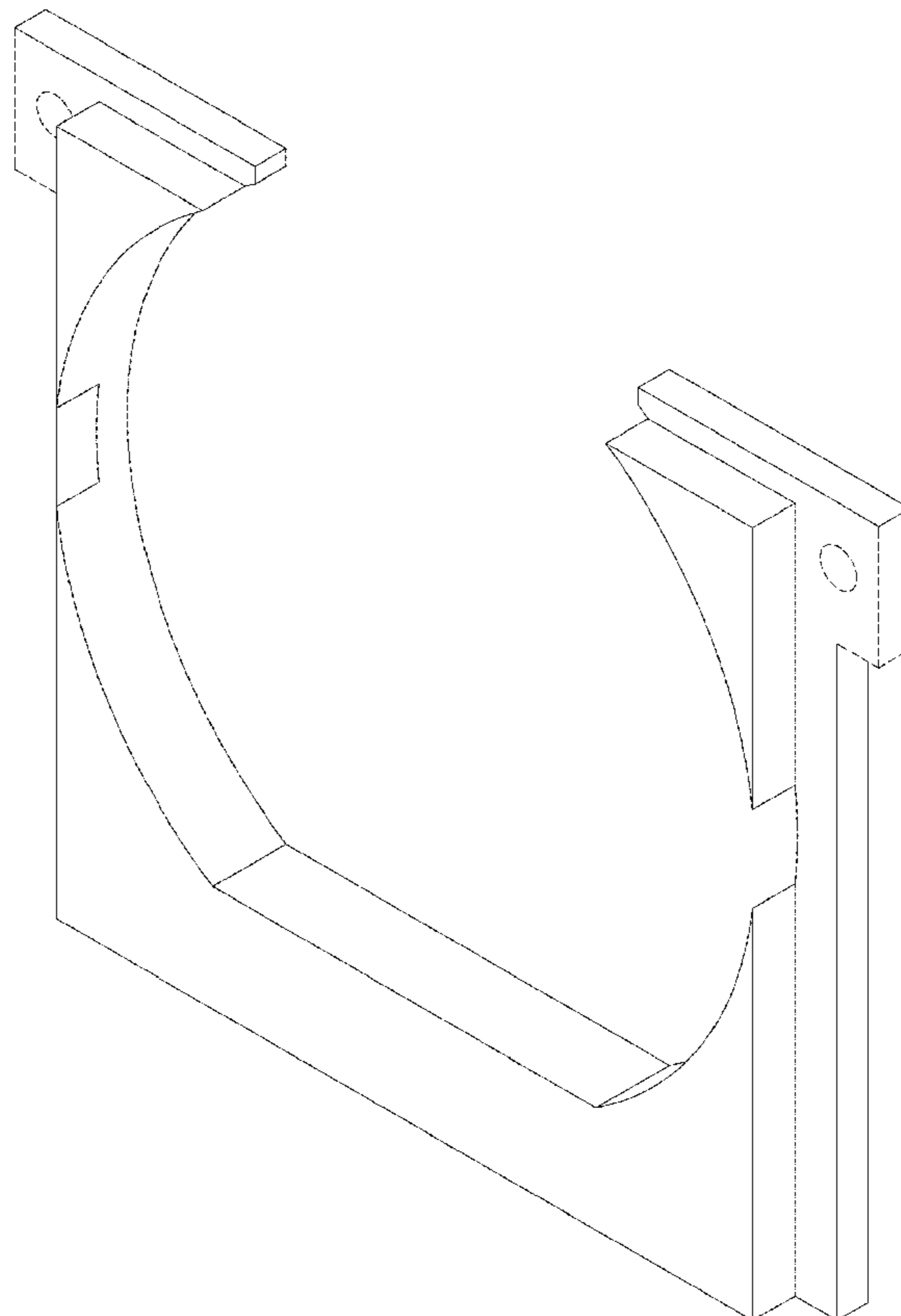
(57) **CLAIM**

The ornamental design for a partial duplex adapter insert, as shown and described.

DESCRIPTION

FIG. 1 is a top view of a partial duplex adapter insert;
FIG. 2 is a left side view thereof;
FIG. 3 is a front view thereof;
FIG. 4 is a right side view thereof;
FIG. 5 is a rear view thereof;
FIG. 6 is a bottom view thereof; and,
FIG. 7 is a rear perspective view thereof.
The broken lines depict an unclaimed boundary of the duplex adapter insert, and form no part of the claimed design.

1 Claim, 7 Drawing Sheets



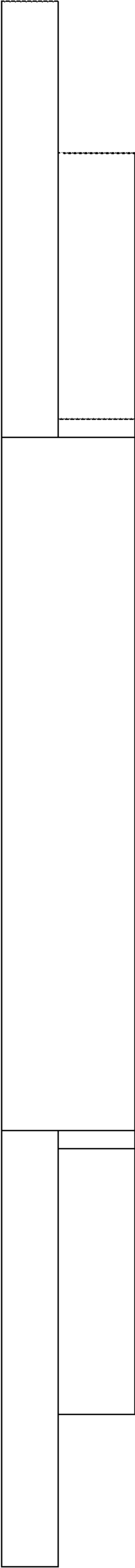


Fig.1

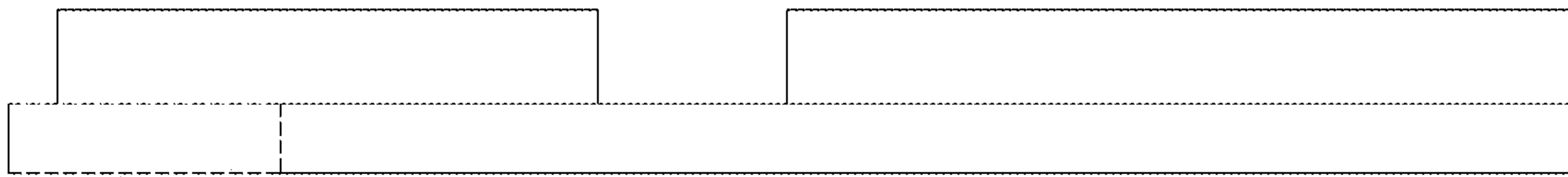


FIG. 2

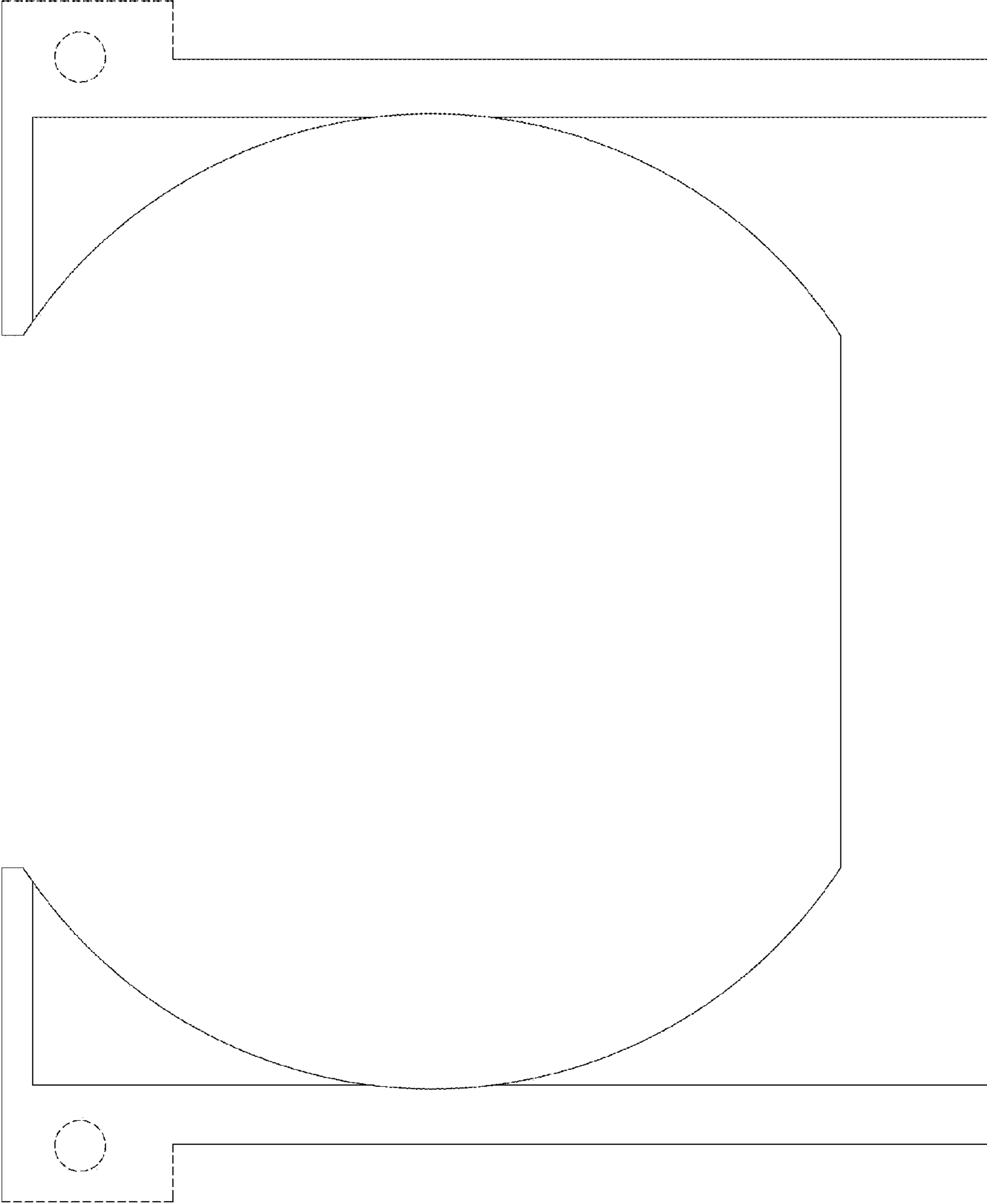


FIG. 3

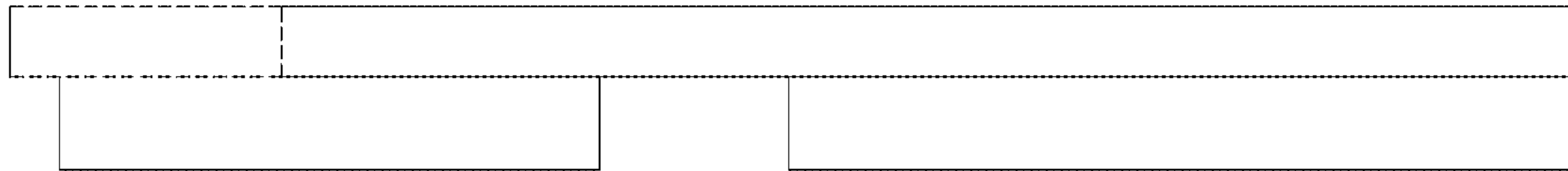


FIG. 4

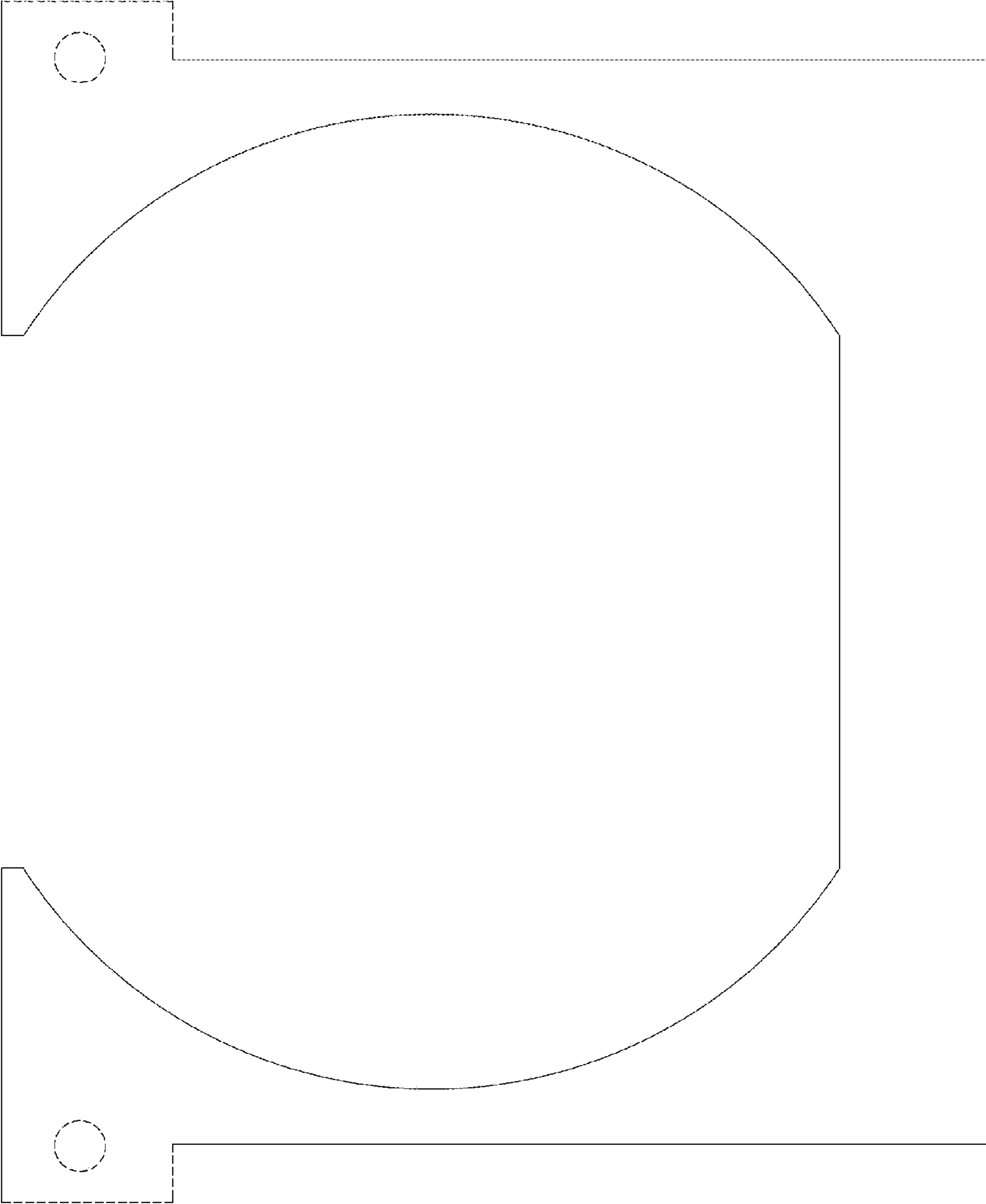


FIG. 5

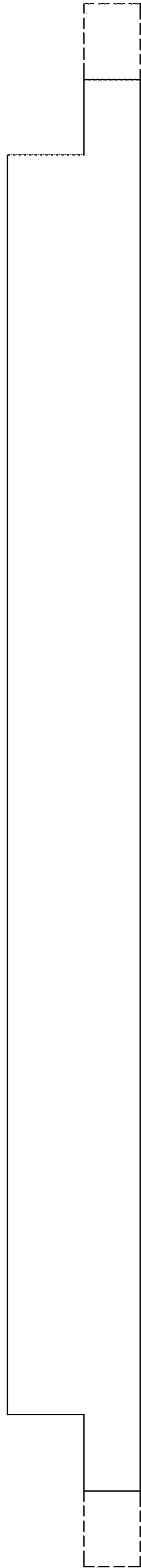


FIG. 6

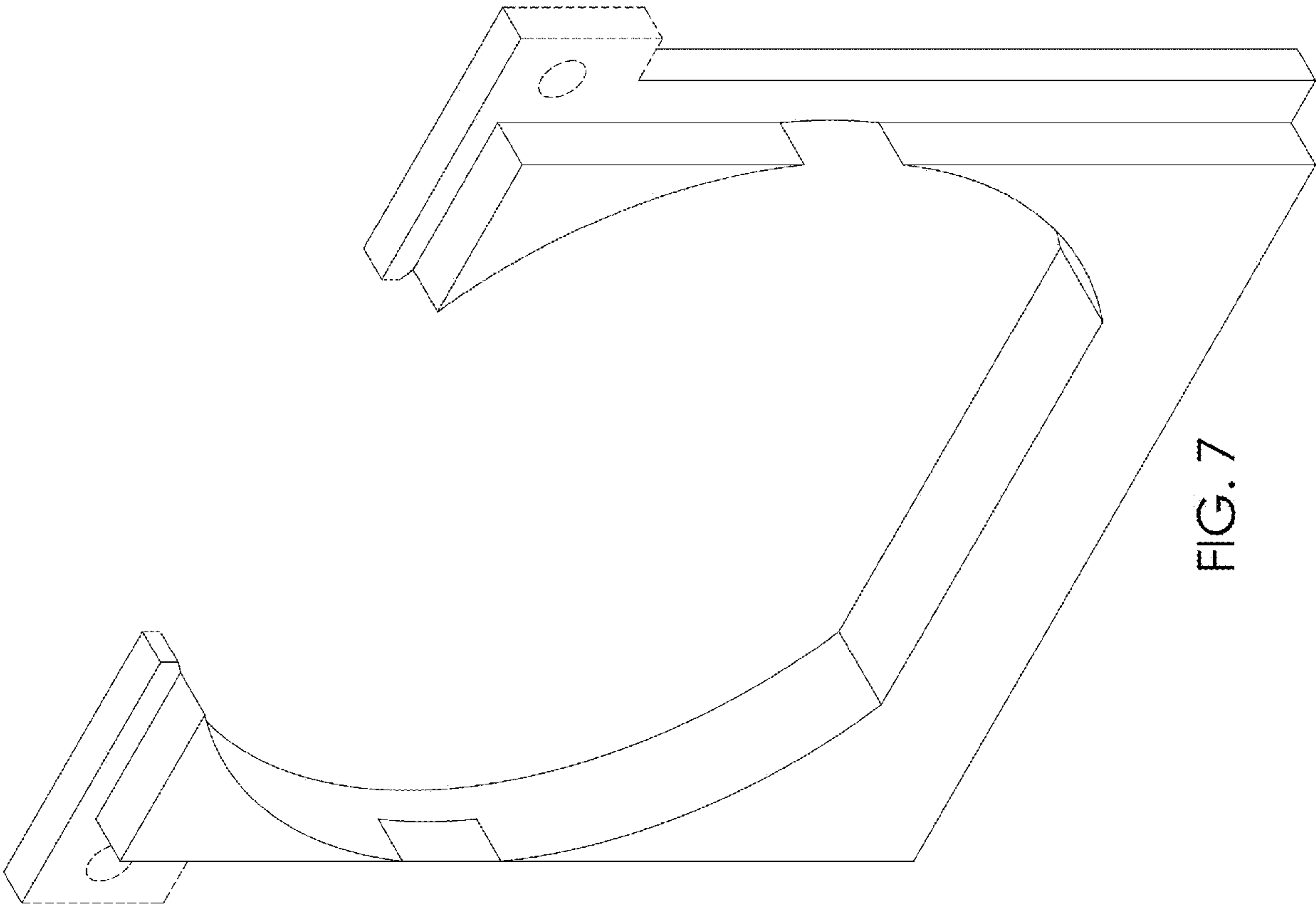


FIG. 7