



US00D940078S

(12) **United States Design Patent**
Baldwin

(10) **Patent No.:** **US D940,078 S**
(45) **Date of Patent:** **** Jan. 4, 2022**

- (54) **DUPLEX ADAPTER INSERT**
- (71) Applicant: **Jeffrey P. Baldwin**, Phoenix, AZ (US)
- (72) Inventor: **Jeffrey P. Baldwin**, Phoenix, AZ (US)
- (**) Term: **15 Years**
- (21) Appl. No.: **29/649,133**
- (22) Filed: **May 25, 2018**
- (51) **LOC (13) Cl.** **13-02**
- (52) **U.S. Cl.**
USPC **D13/118**
- (58) **Field of Classification Search**
USPC ... D13/103, 125, 137.1, 137.2, 137.3, 138.1,
D13/138.2, 139.1, 139.3, 139.8, 146, 147,
D13/152, 154, 156, 158, 169, 170, 171,
D13/173, 177; D14/159; D25/60;
D26/24, 25, 26, 34, 37, 51, 72, 73, 80,
D26/81, 85, 87, 88, 89, 92
CPC H01H 23/04; H01R 13/443; H01R 13/447;
H01R 13/512; H01R 24/76; H01R
25/006; H02G 3/14
See application file for complete search history.

(56) **References Cited**

U.S. PATENT DOCUMENTS

- 4,134,516 A * 1/1979 Sullo H02B 1/066
174/67
- 4,711,634 A * 12/1987 Antone, II H01R 13/447
174/67
- D429,829 S * 8/2000 Doran D13/137.1
- 6,855,887 B1 * 2/2005 Fox H02G 3/123
174/50

- D576,866 S * 9/2008 Kidman D8/353
- D821,179 S * 6/2018 Exley D8/353
- 10,305,216 B1 * 5/2019 Shotey H02G 3/14
- 10,522,936 B2 * 12/2019 Martin H01R 13/447

* cited by examiner

Primary Examiner — Manpreet S Matharu

Assistant Examiner — Suzanne E Tisdell

(74) *Attorney, Agent, or Firm* — Booth Udall Fuller, PLC

(57) **CLAIM**

The ornamental design for a duplex adapter insert, as shown and described.

DESCRIPTION

FIG. 1 is a top view of a duplex adapter insert;
 FIG. 2 is a left side view thereof;
 FIG. 3 is a front view thereof;
 FIG. 4 is a right side view thereof;
 FIG. 5 is a rear view thereof;
 FIG. 6 is a bottom view thereof;
 FIG. 7 is a rear perspective view thereof;
 FIG. 8 is a top view of the adapter insert of FIG. 1 mated with a contextual insert frame;
 FIG. 9 is a left side view thereof;
 FIG. 10 is a front view thereof;
 FIG. 11 is a right side view thereof;
 FIG. 12 is a rear view thereof; and,
 FIG. 13 is a bottom view thereof.
 Dot-dash pattern broken lines depict an internal boundary within the duplex adapter insert. Neither the area within the dot-dash broken lines nor the line itself forms any part of the claimed design.

1 Claim, 13 Drawing Sheets





FIG. 1

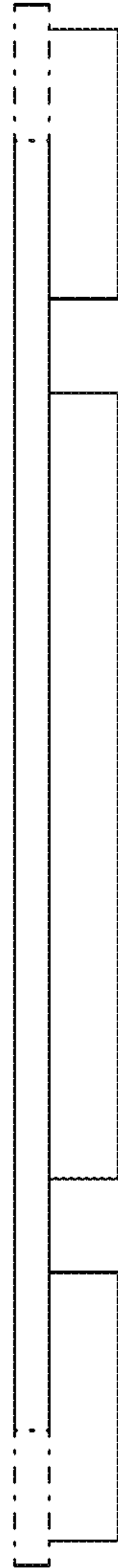


FIG. 2

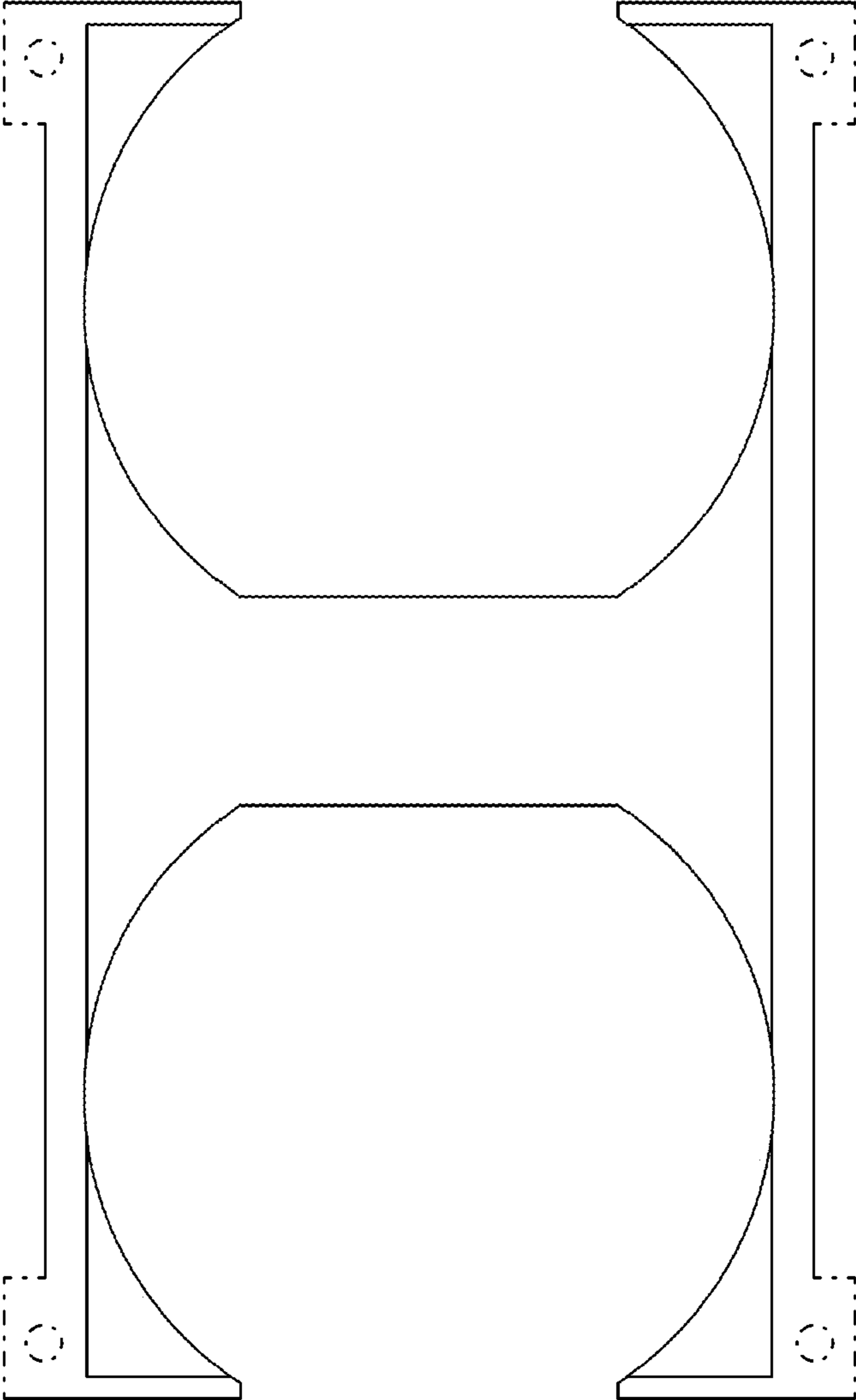


FIG. 3

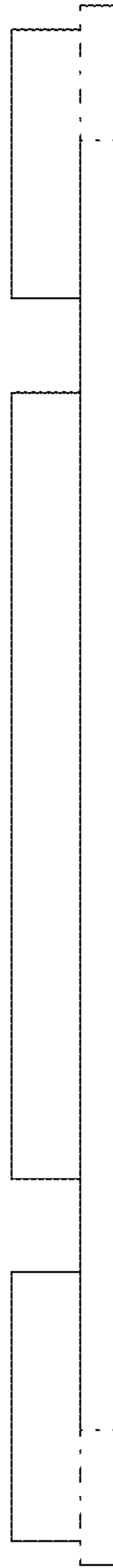


FIG. 4

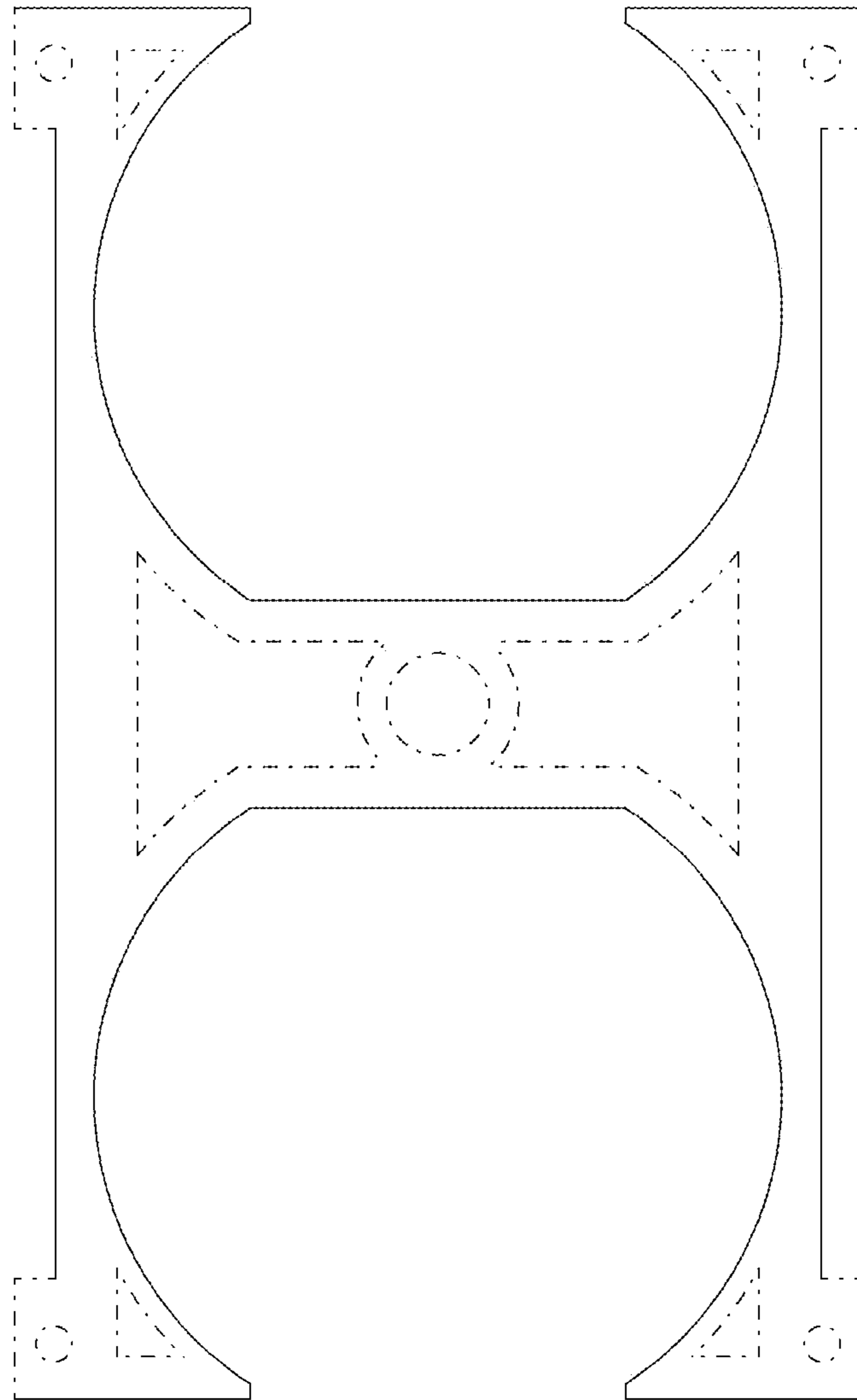


FIG. 5



FIG. 6

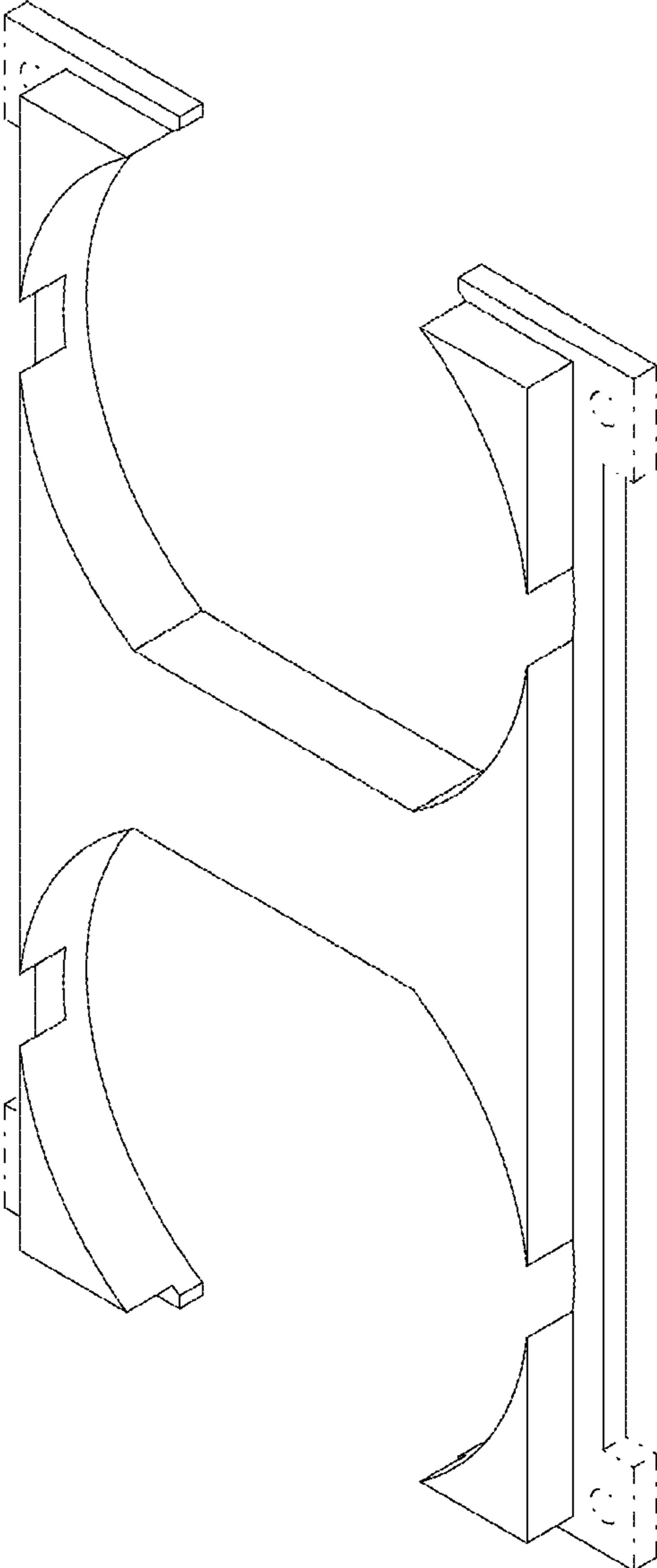


FIG. 7

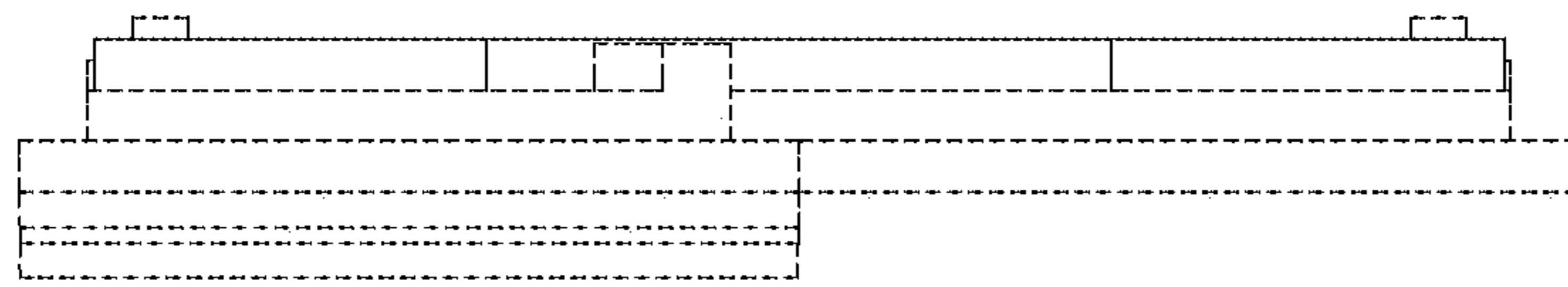


FIG. 8

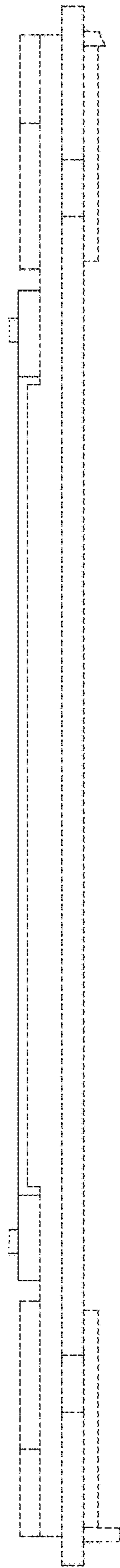


FIG. 9

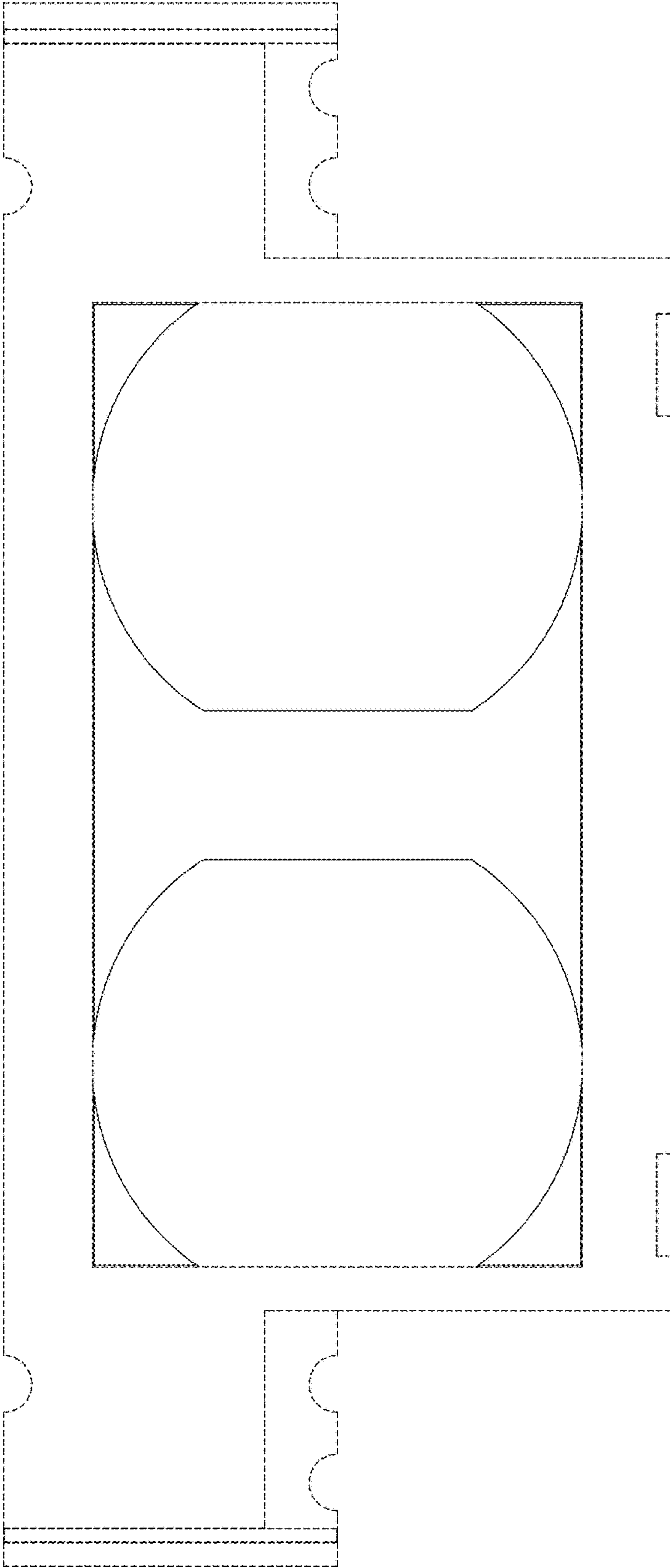


FIG. 10

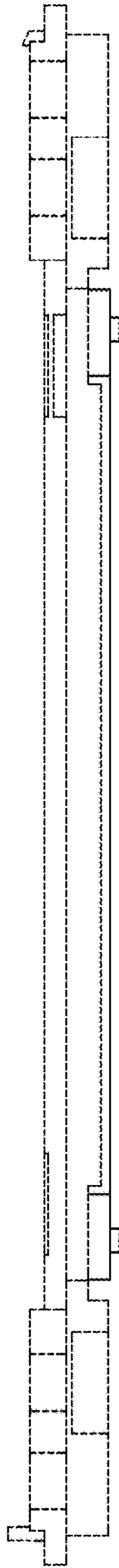


FIG. 11

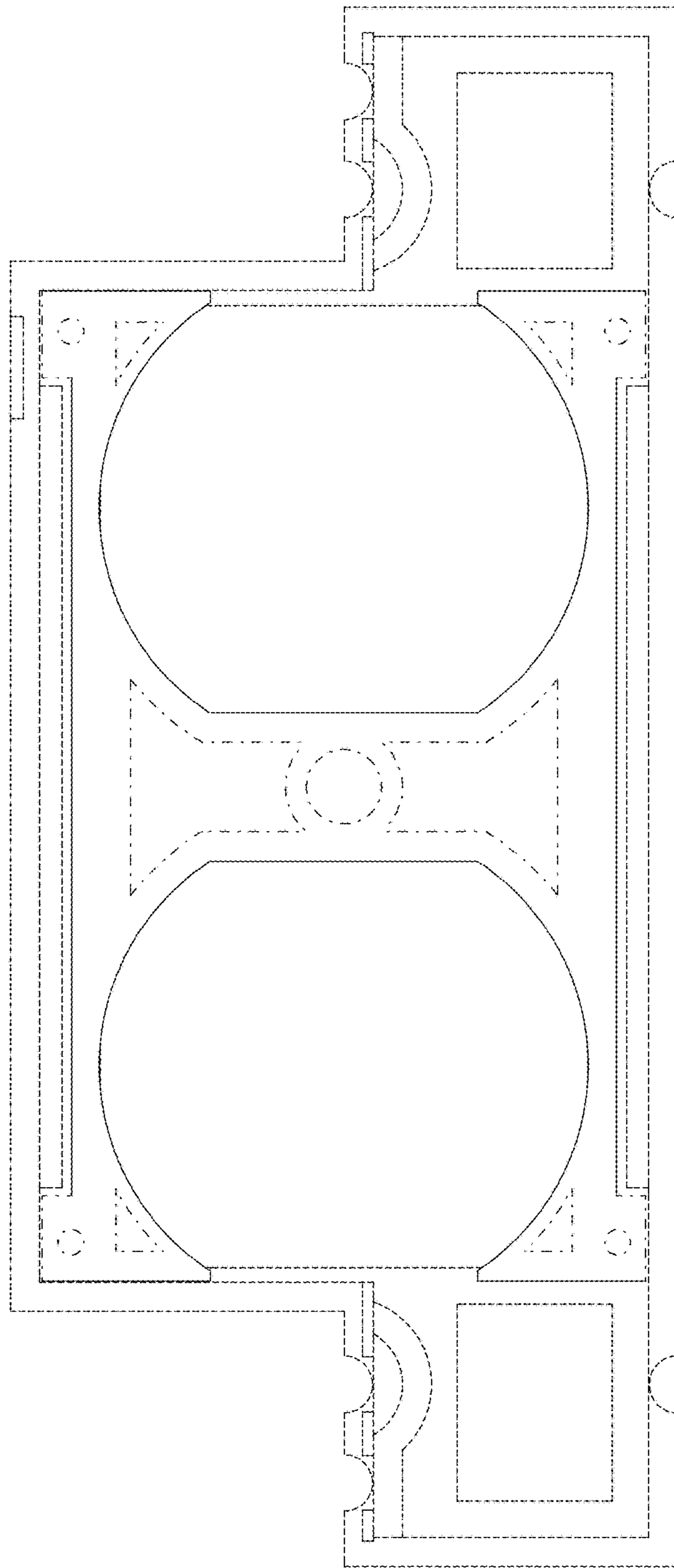


FIG. 12

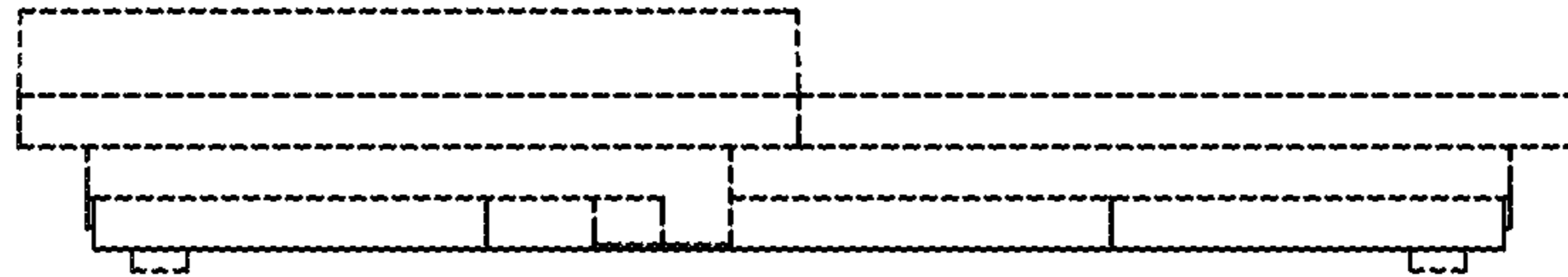


FIG. 13