

US00D940072S

(12) **United States Design Patent**
Choi

(10) **Patent No.:** **US D940,072 S**
(45) **Date of Patent:** **** Jan. 4, 2022**

(54) **WEARABLE CHARGER FOR SMART WATCH**

(71) Applicant: **MARK & DRAW Co., Ltd**, Seoul (KR)

(72) Inventor: **Teakjin Choi**, Namyangju-si (KR)

(73) Assignee: **MARK & DRAW Co., Ltd**, Seoul (KR)

(**) Term: **15 Years**

(21) Appl. No.: **29/688,907**

(22) Filed: **Apr. 25, 2019**

(51) **LOC (13) Cl.** **13-02**

(52) **U.S. Cl.**
USPC **D13/108**

(58) **Field of Classification Search**
USPC D13/107–110, 118–119, 184; D14/251, D14/253, 432, 434
CPC Y02E 60/12; Y02T 90/14; Y02T 90/122; Y02T 90/128; Y02T 90/163; H02J 7/025; H02J 7/0042; H02J 7/0044; H02J 7/0045; H02J 7/0013; H02J 7/0003; H01F 38/14; H01R 13/6675; H01M 2/1022; H01M 2/1055; H01M 10/44; H01M 10/46; H01M 10/425; B60L 11/182
See application file for complete search history.

(56) **References Cited**

U.S. PATENT DOCUMENTS

5,689,413 A * 11/1997 Jaramillo H02J 7/0042 363/146
D616,360 S * 5/2010 Huang D13/103

D751,558 S * 3/2016 Lee D14/432
D767,573 S * 9/2016 Kim D14/440
D786,879 S * 5/2017 Kim D14/440
D800,700 S * 10/2017 Bergman D14/217
D802,529 S * 11/2017 Andersson D13/108
D819,563 S * 6/2018 Wei D13/108
D836,834 S * 12/2018 Cividi D27/194
D851,652 S * 6/2019 Lee D14/447
D893,420 S * 8/2020 Xiao D13/108
D894,121 S * 8/2020 Lomeli D13/107
2020/0343745 A1 * 10/2020 Choi H02J 7/0044

* cited by examiner

Primary Examiner — Nathaniel D. Buckner
(74) *Attorney, Agent, or Firm* — Paratus Law Group, PLLC

(57) **CLAIM**

The ornamental design for a wearable charger for smart watch, as shown and described.

DESCRIPTION

FIG. 1 is a front, top and left perspective view of wearable charger for smart watch showing claimed design;
FIG. 2 is a front view thereof;
FIG. 3 is a back view thereof;
FIG. 4 is a left side view thereof;
FIG. 5 and a right view thereof;
FIG. 6 is a top view thereof;
FIG. 7 is a bottom view thereof;
FIG. 8 is a back, top and right perspective view thereof;
FIG. 9 is a bottom, front and right perspective view thereof;
FIG. 10 is a bottom, back, and right perspective view thereof; and,
FIG. 11 is an exploded perspective view thereof.

1 Claim, 9 Drawing Sheets

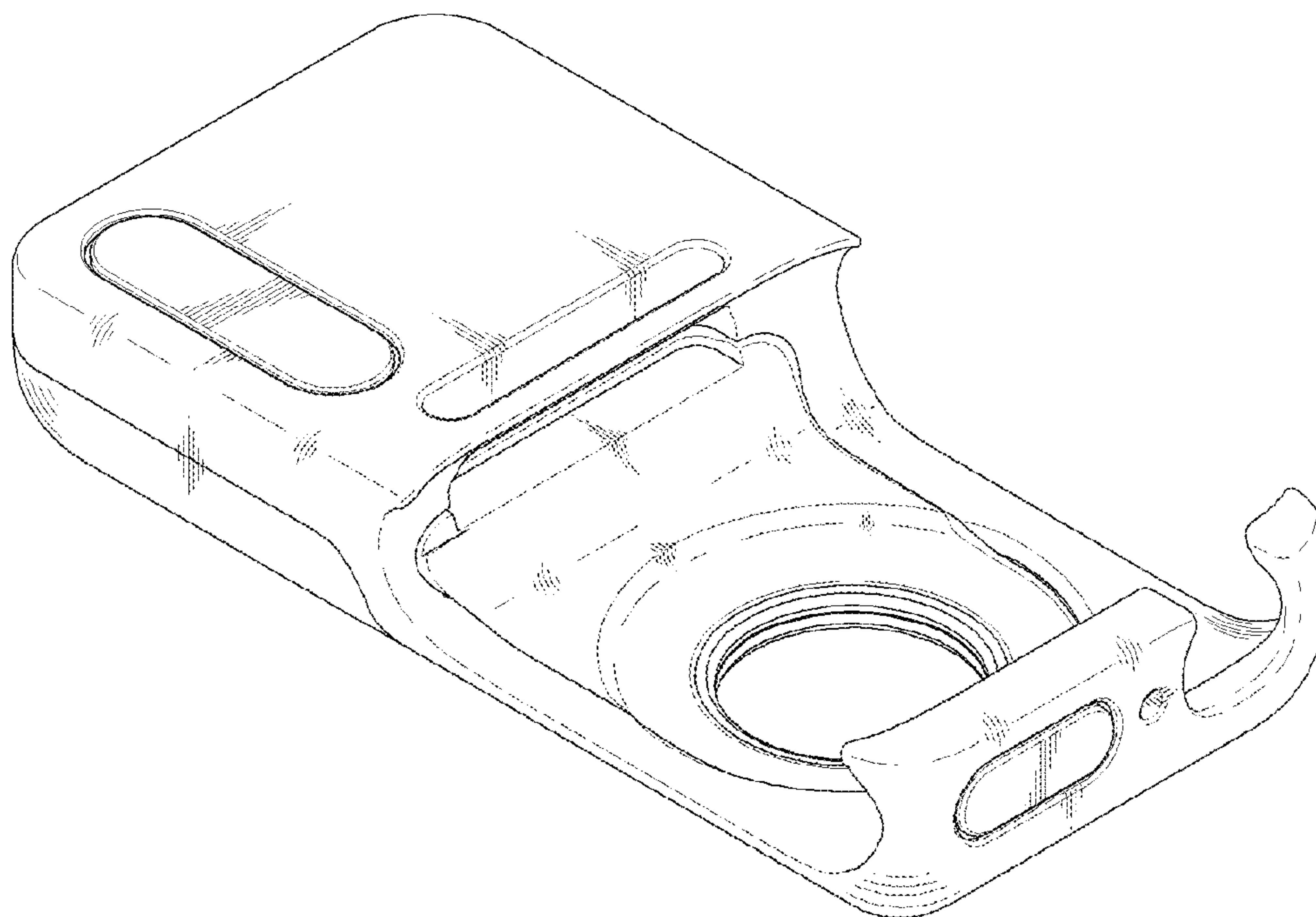


FIG. 1

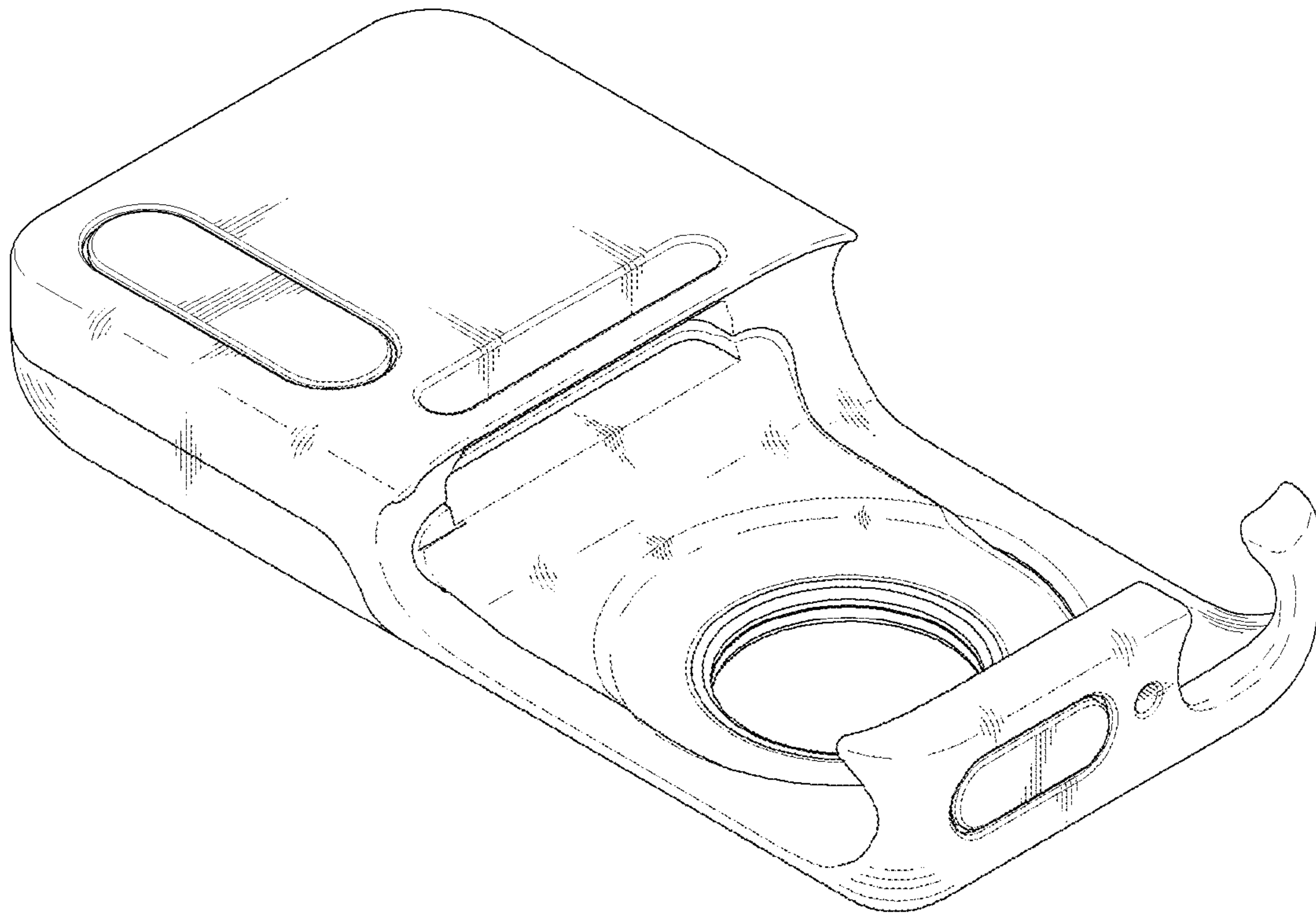


FIG. 2

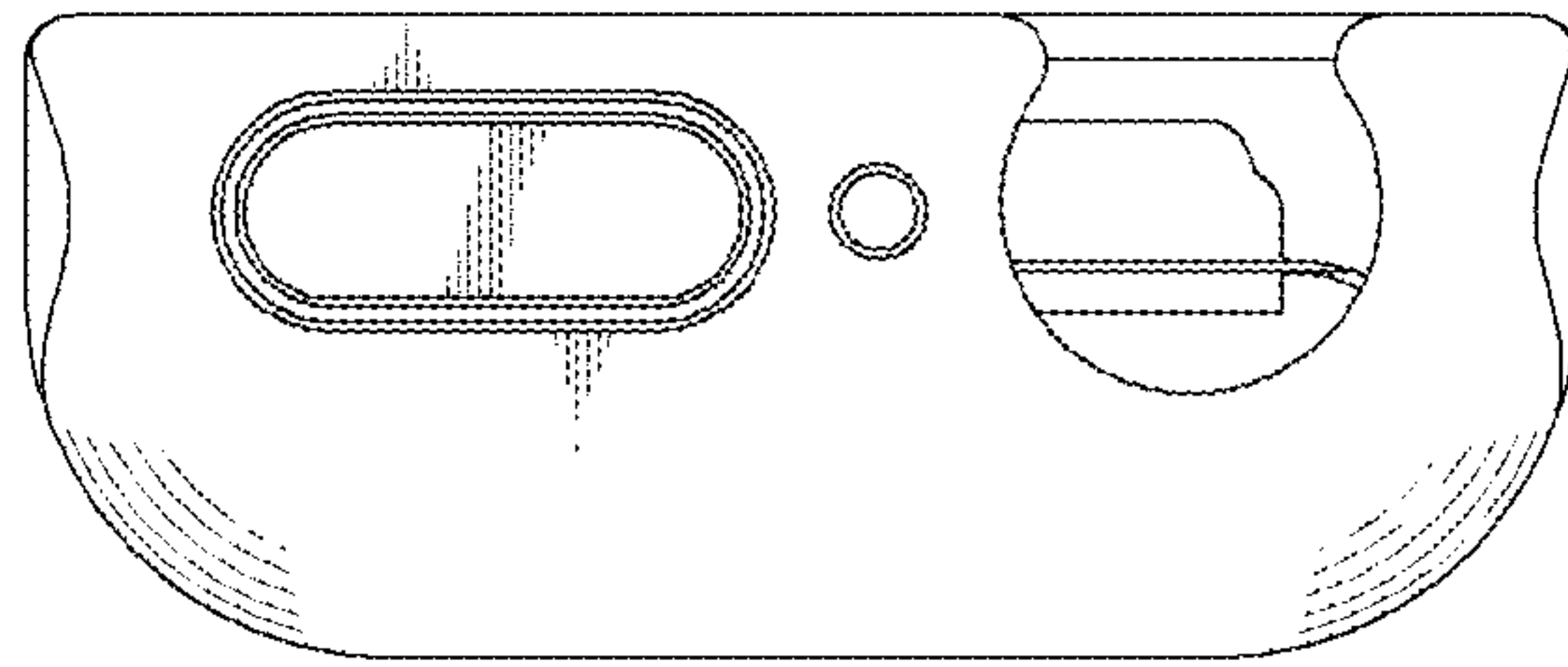


FIG. 3

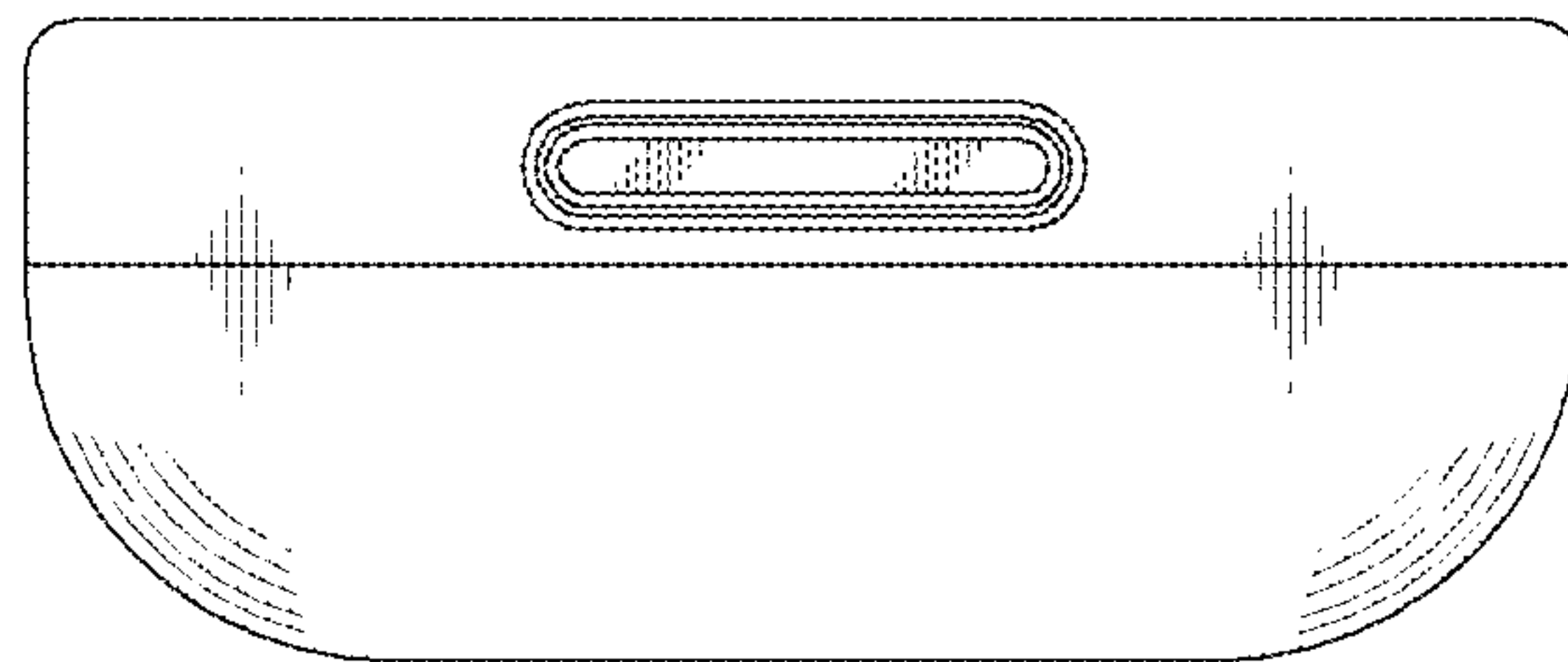


FIG. 4

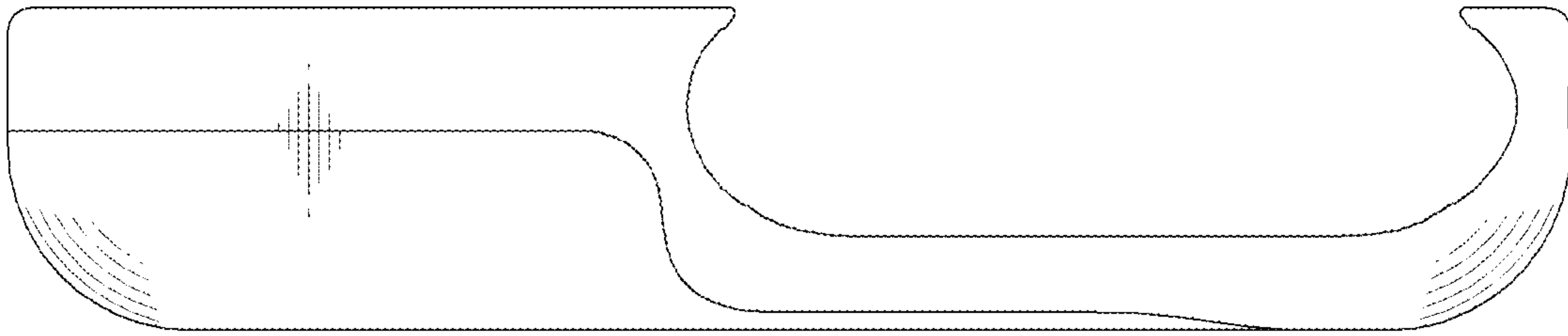


FIG. 5

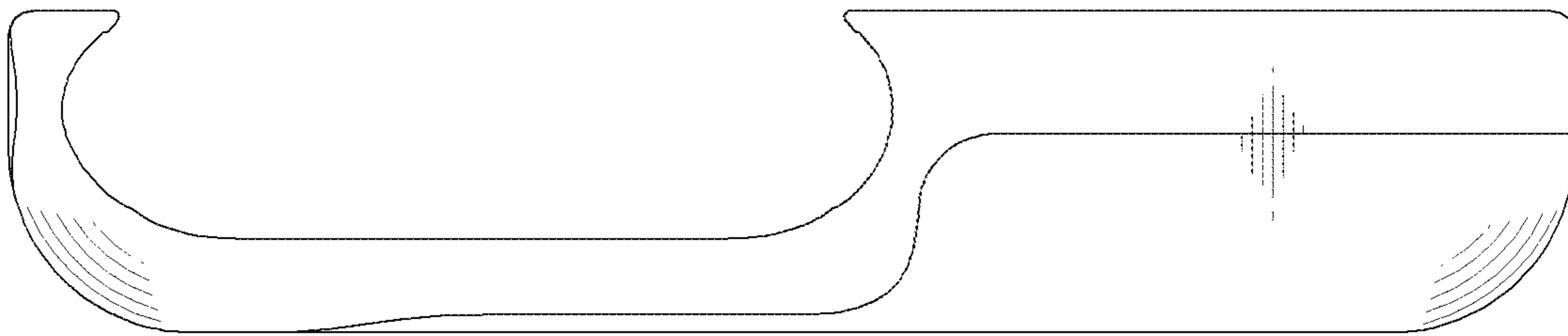


FIG. 6

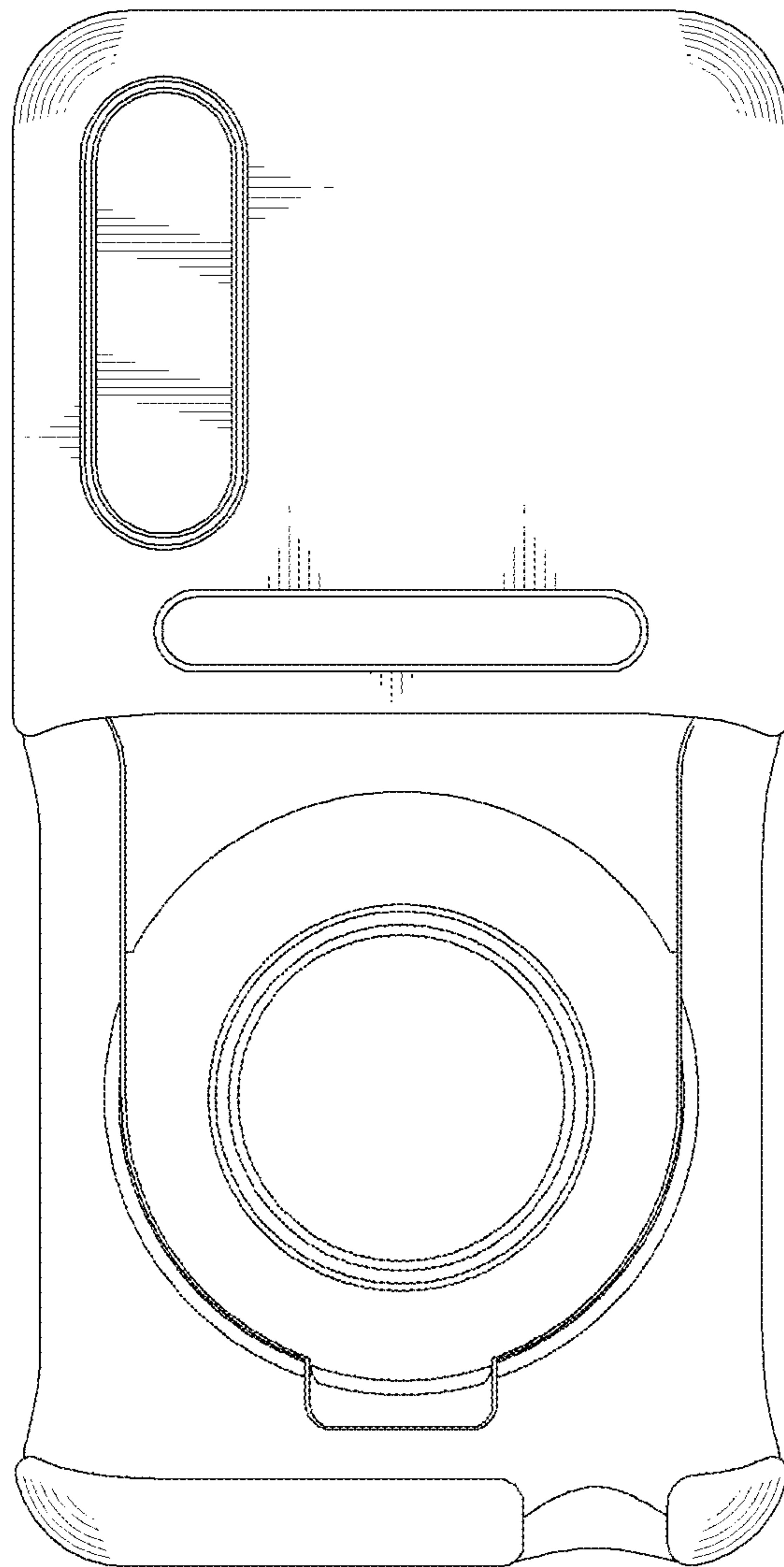


FIG. 7

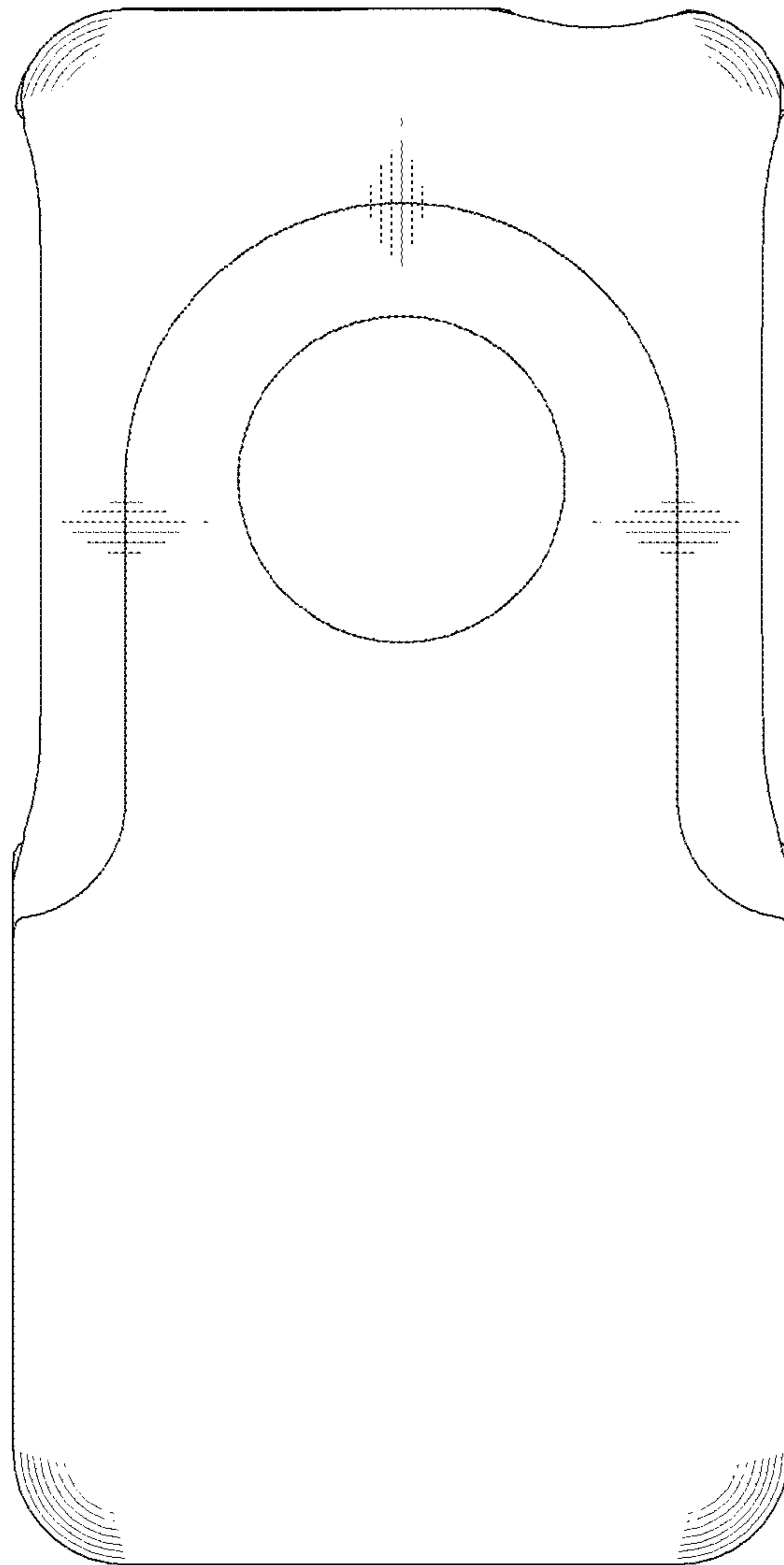


FIG. 8

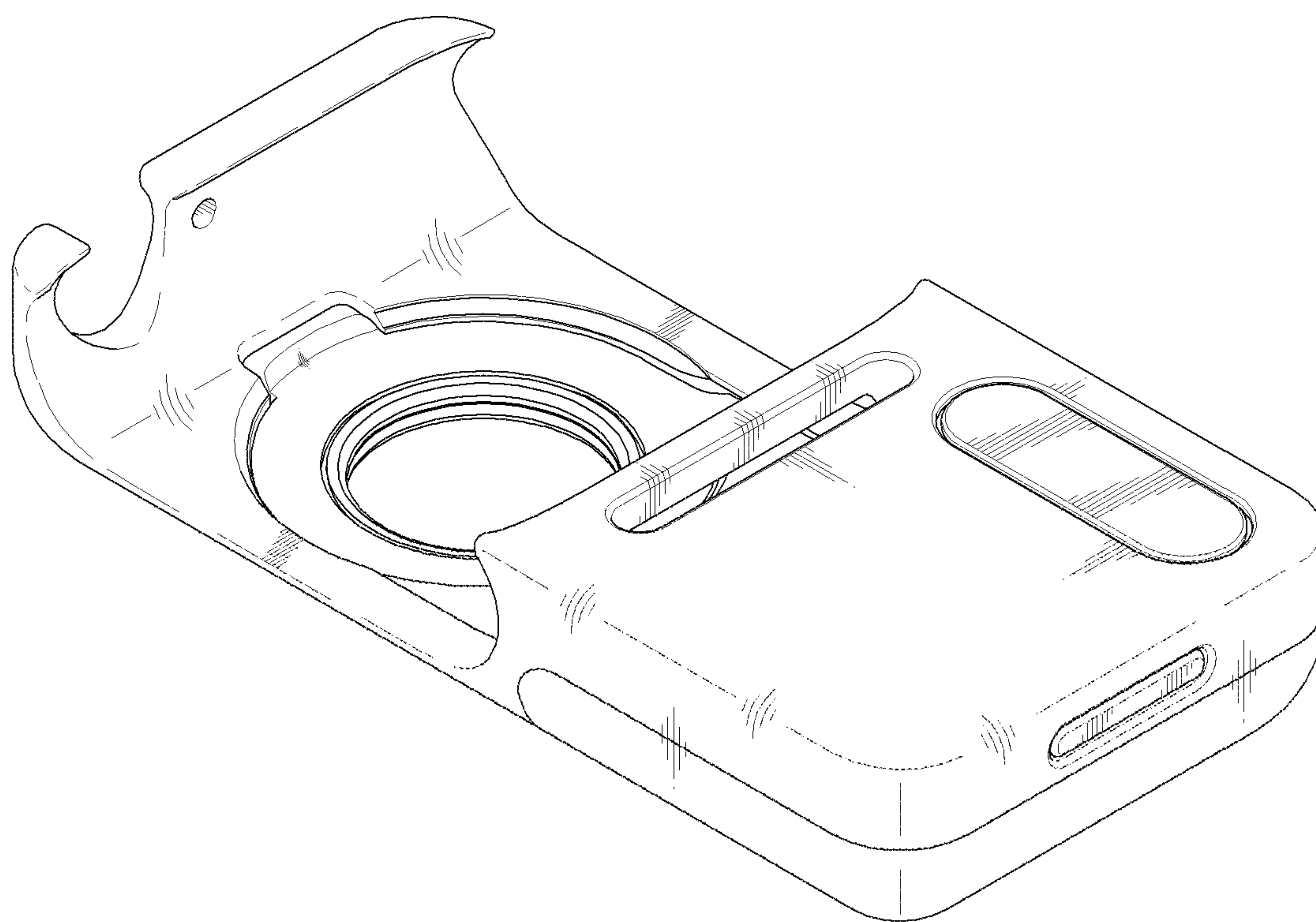


FIG. 9

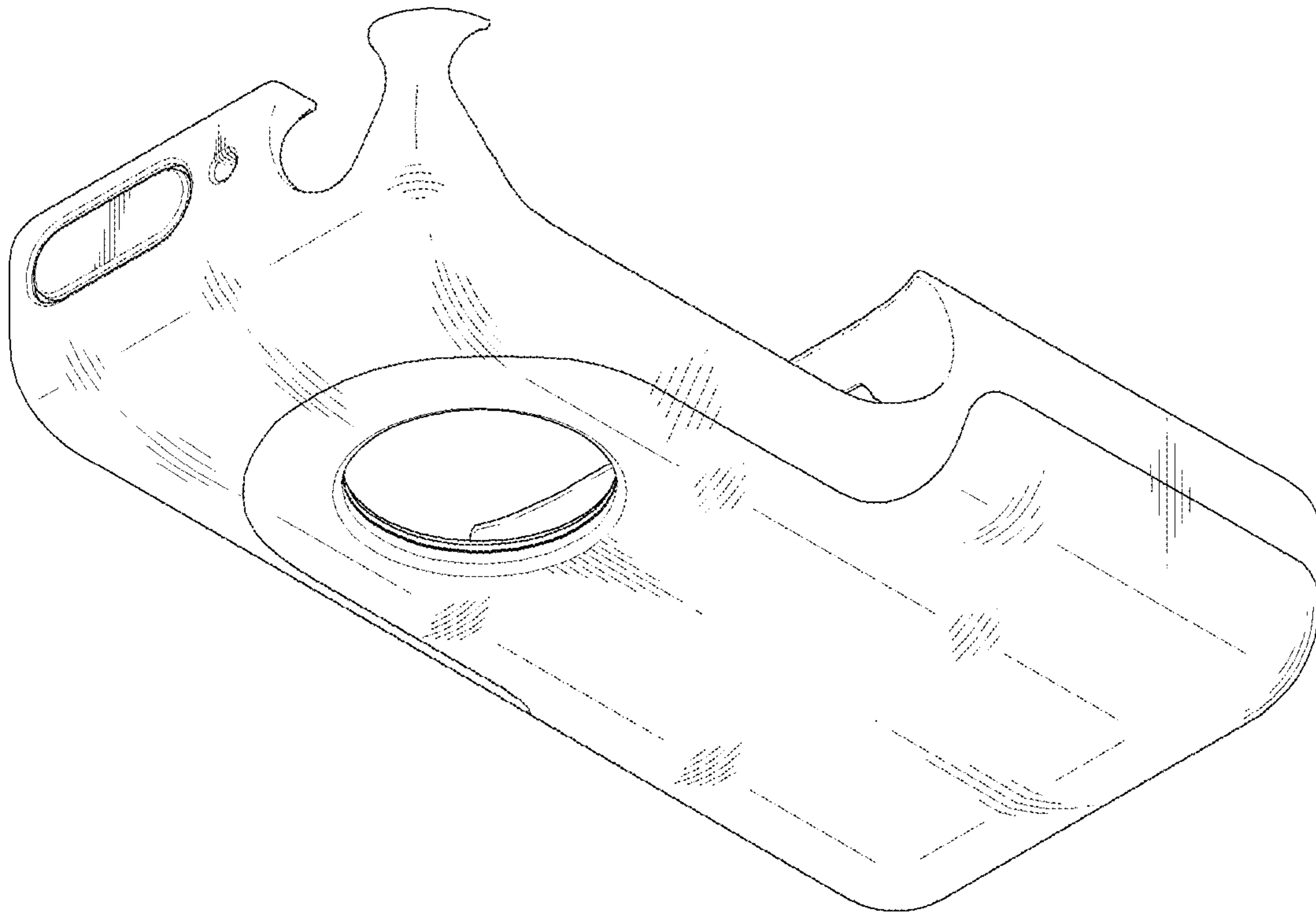


FIG. 10

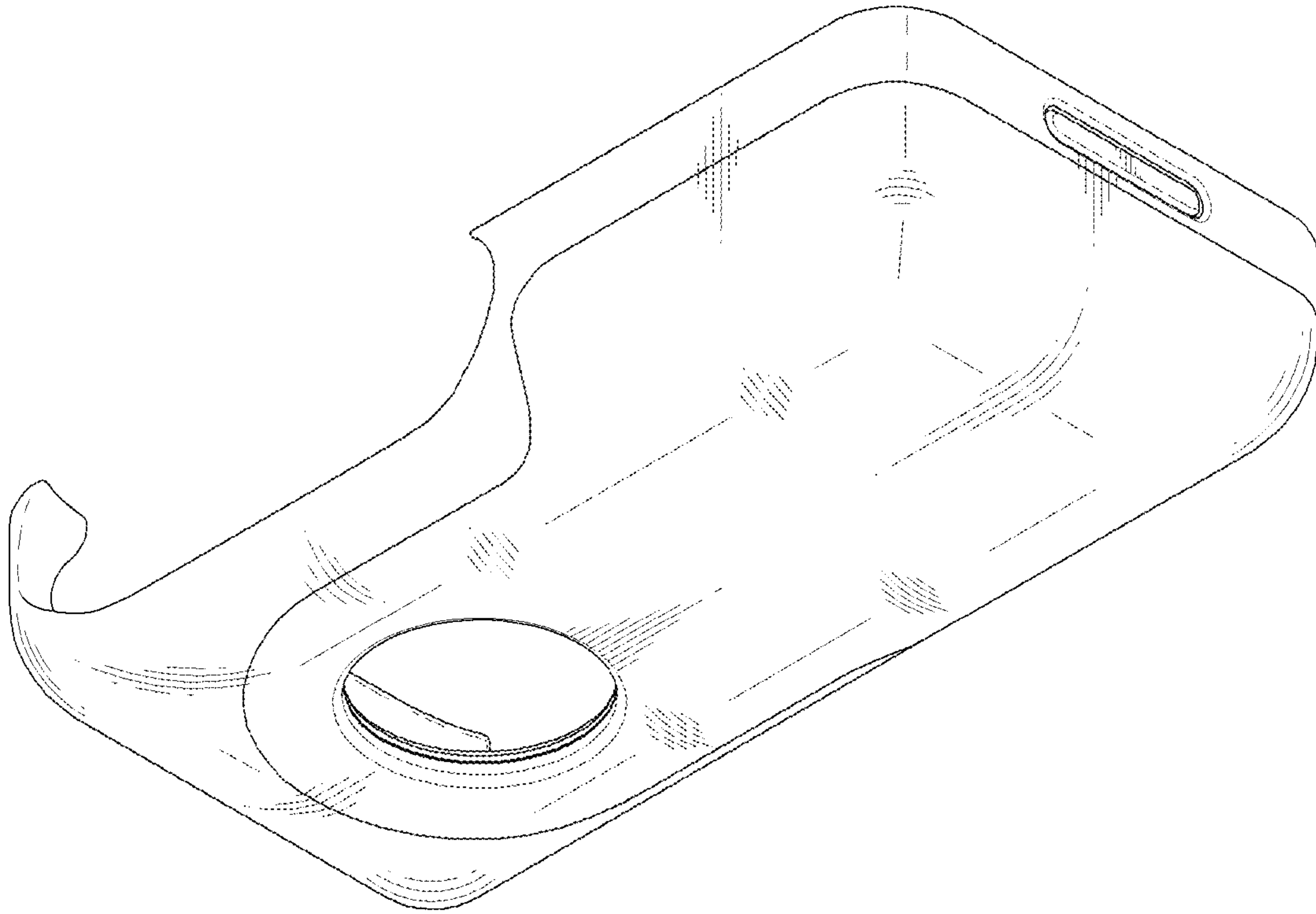


FIG. 11

