



US00D940068S

(12) **United States Design Patent**  
**Mao**

(10) **Patent No.:** **US D940,068 S**

(45) **Date of Patent:** **\*\* Jan. 4, 2022**

- (54) **PORTABLE POWER STATION**
- (71) Applicant: **Shenzhen Yanhai E-Commerce Limited**, Shenzhen (CN)
- (72) Inventor: **Aihua Mao**, Beijing (CN)
- (73) Assignee: **Shenzhen Yanhai E-Commerce Limited**, Shenzhen (CN)

D712,834 S *	9/2014	Munro	.....	D13/116
D775,734 S *	1/2017	Hrenchir	.....	D24/170
D834,517 S *	11/2018	Fritz	.....	D13/116
D840,337 S *	2/2019	Gillett	.....	D13/112
D856,930 S *	8/2019	Huang	.....	D13/116
D867,983 S *	11/2019	Li	.....	D13/102
D871,337 S *	12/2019	Nagasawa	.....	D13/116
D887,005 S *	6/2020	Lin	.....	D24/164
D894,834 S *	9/2020	Ritchie	.....	D13/116

- (\*\*) Term: **15 Years**
- (21) Appl. No.: **29/741,276**
- (22) Filed: **Jul. 10, 2020**
- (51) **LOC (13) Cl.** ..... **13-02**
- (52) **U.S. Cl.**  
USPC ..... **D13/103**
- (58) **Field of Classification Search**  
USPC ..... D13/104, 107, 108, 110, 119, 123, 133,  
D13/144, 149, 153, 155, 156, 184, 199  
CPC ..... H01M 2/02; H01M 2/022; H01M 2/0202;  
H01M 2/0207; H01M 2/0212; H01M  
2/1061; H01M 2/1022; H01M 2/1055;  
H01M 2/1066; H01M 2/105; H01M 2/20;  
H01M 2/202; H01M 2/204; H01M 2/206;  
H01M 10/46; H01M 10/465; H01M  
10/482; H01M 2200/30; H01M 2250/30;  
H01M 2250/40; H02J 7/00; H02J 7/0003;  
H02J 7/0011; H02J 7/0013; H02J 7/0054;  
H02J 7/0055; H02J 7/0057; H02J 7/0062  
See application file for complete search history.

(56) **References Cited**

**U.S. PATENT DOCUMENTS**

D643,813 S *	8/2011	Portman	.....	D13/116
D662,881 S *	7/2012	He	.....	D13/116
D710,301 S *	8/2014	Ferro	.....	D13/116
D711,319 S *	8/2014	Wilcox	.....	D13/116

**OTHER PUBLICATIONS**

Generators. Design—© Questel) orbit.com. [Online PDF compilation of references] 54 pgs. Print Dates Range Nov. 12, 2020-Dec. 24, 2020 [Retrieved Jul. 22, 2021].\*  
 “3500 Watt Super Quiet Inverter Generator.” Before Jul. 27, 2017. Harbor Freight. [https://www.harborfreight.com/3500-watt-super-quiet-inverter-generator-63584.html?utm\\_source=go&utm\\_medium=social&utm\\_campaign=shortener&cid=go\\_social](https://www.harborfreight.com/3500-watt-super-quiet-inverter-generator-63584.html?utm_source=go&utm_medium=social&utm_campaign=shortener&cid=go_social).\*

(Continued)

*Primary Examiner* — Manpreet S Matharu  
*Assistant Examiner* — Suzanne E Tisdell

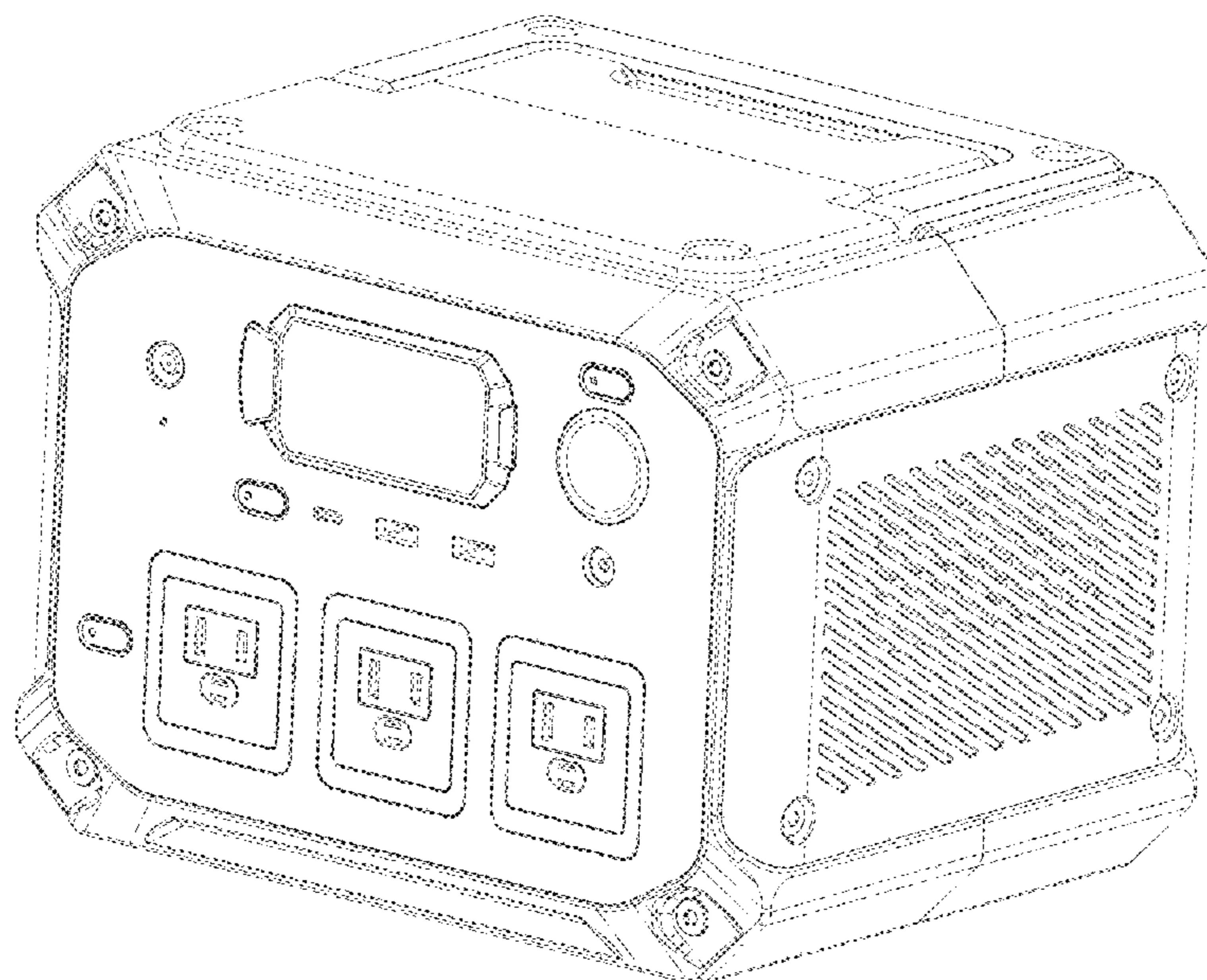
(57) **CLAIM**

The ornamental design for a portable power station, as shown and described.

**DESCRIPTION**

FIG. 1 is a perspective view of a portable power station showing my new design;  
 FIG. 2 is a top view thereof;  
 FIG. 3 is a bottom view thereof;  
 FIG. 4 is a left side view thereof;  
 FIG. 5 is a right side view thereof;  
 FIG. 6 is a front view thereof; and,  
 FIG. 7 is a back view thereof.  
 Broken lines in the drawings show portions of the portable power station that forms no part of the claimed design.

**1 Claim, 7 Drawing Sheets**



(56)

**References Cited**

OTHER PUBLICATIONS

“Duracell PowerSource 1440W Portable Power Station.” Jul. 2020. Duracell Power. [https://www.duracellpower.com/products/1440-watt-power-station?currency=USD&utm\\_medium=cpc&utm\\_source=google&utm\\_campaign=Google%20Shopping](https://www.duracellpower.com/products/1440-watt-power-station?currency=USD&utm_medium=cpc&utm_source=google&utm_campaign=Google%20Shopping).\*

“Generac IQ3500 3000/3500w Ultra Quiet Inverter Generator.” Before Feb. 22, 2020. Factory Pure. [https://factorypure.com/products/generac-iq3500-3000-3500w-ultra-quiet-inverter-generator-new?variant=22510291746898#judgeme\\_product\\_reviews](https://factorypure.com/products/generac-iq3500-3000-3500w-ultra-quiet-inverter-generator-new?variant=22510291746898#judgeme_product_reviews).\*

\* cited by examiner

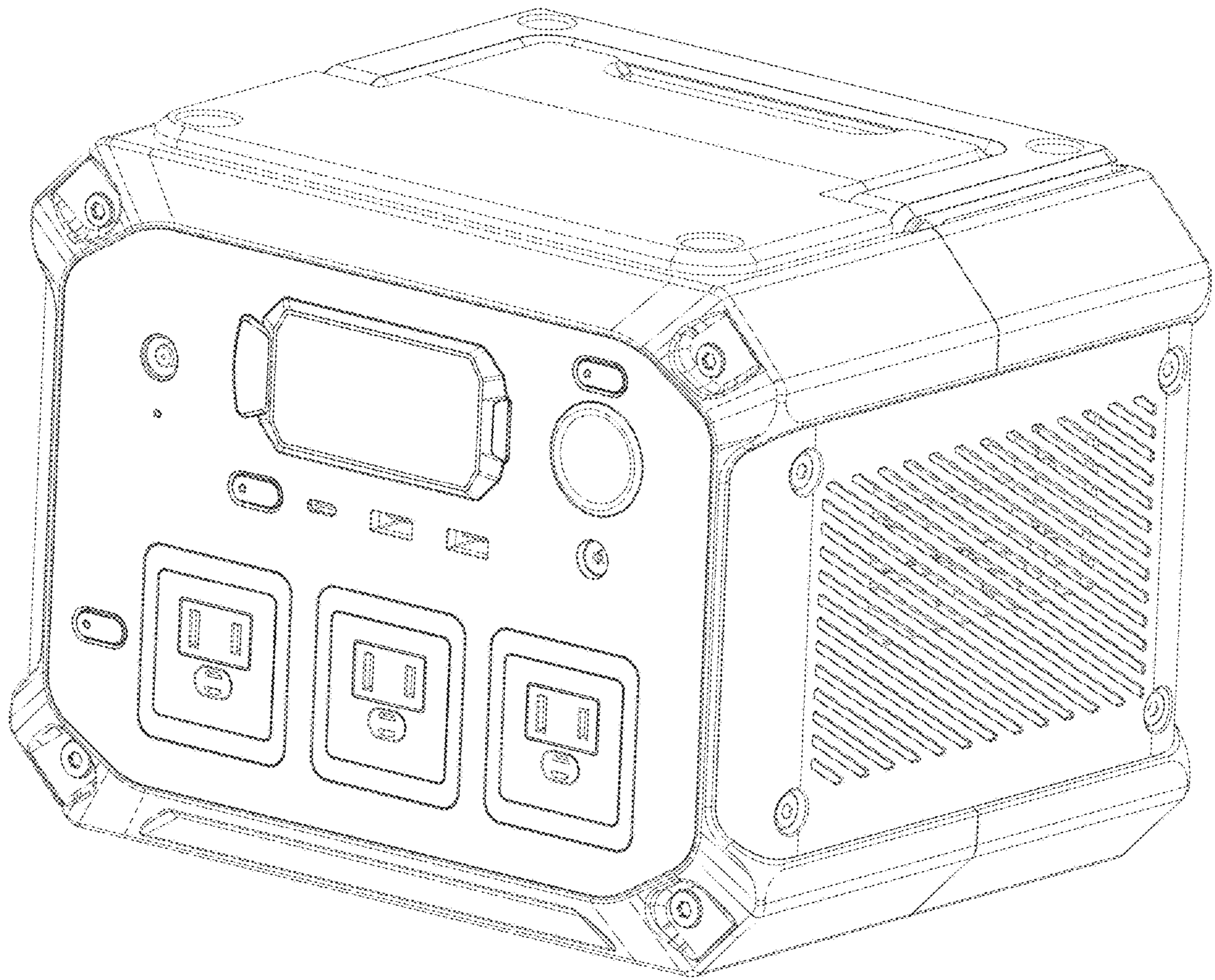


FIG.1

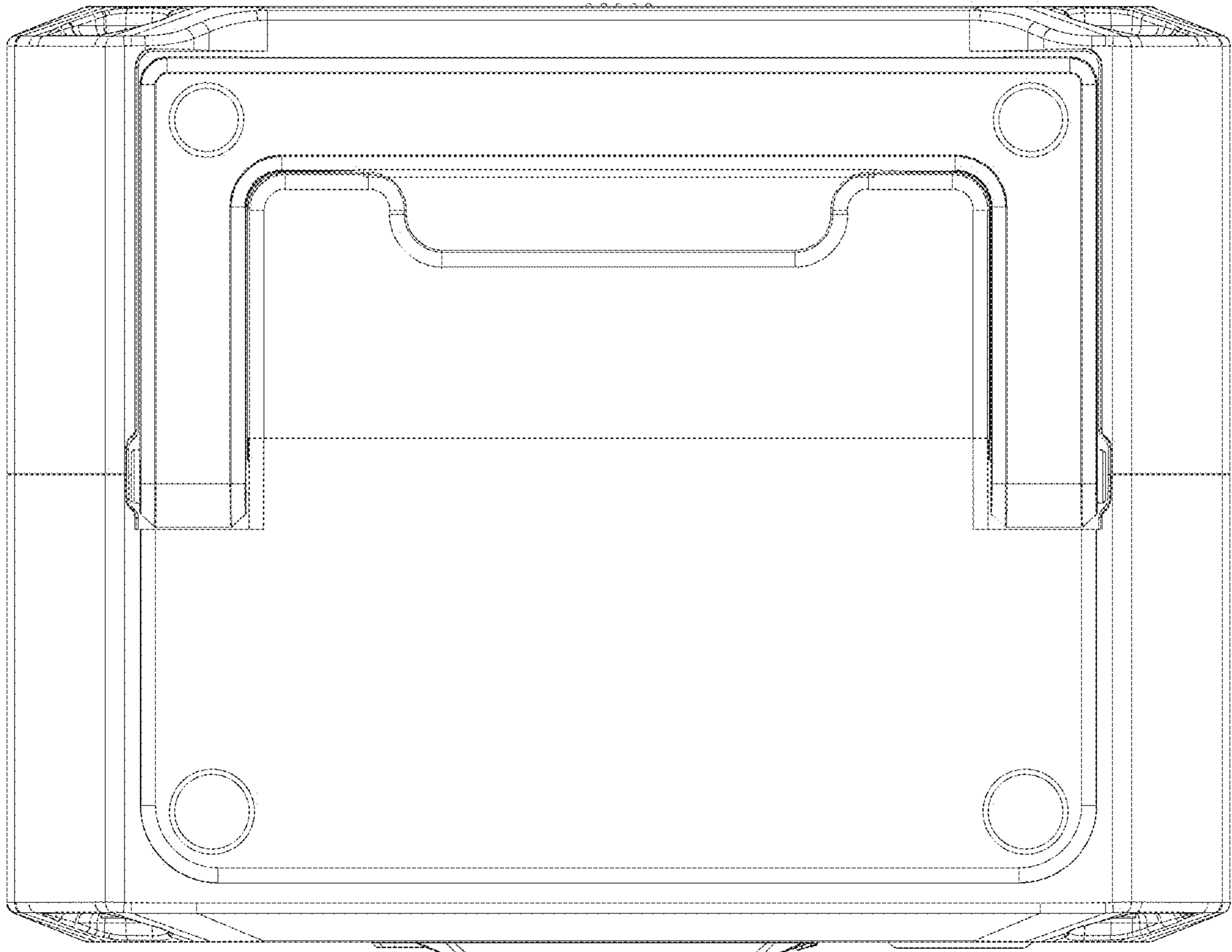


FIG. 2

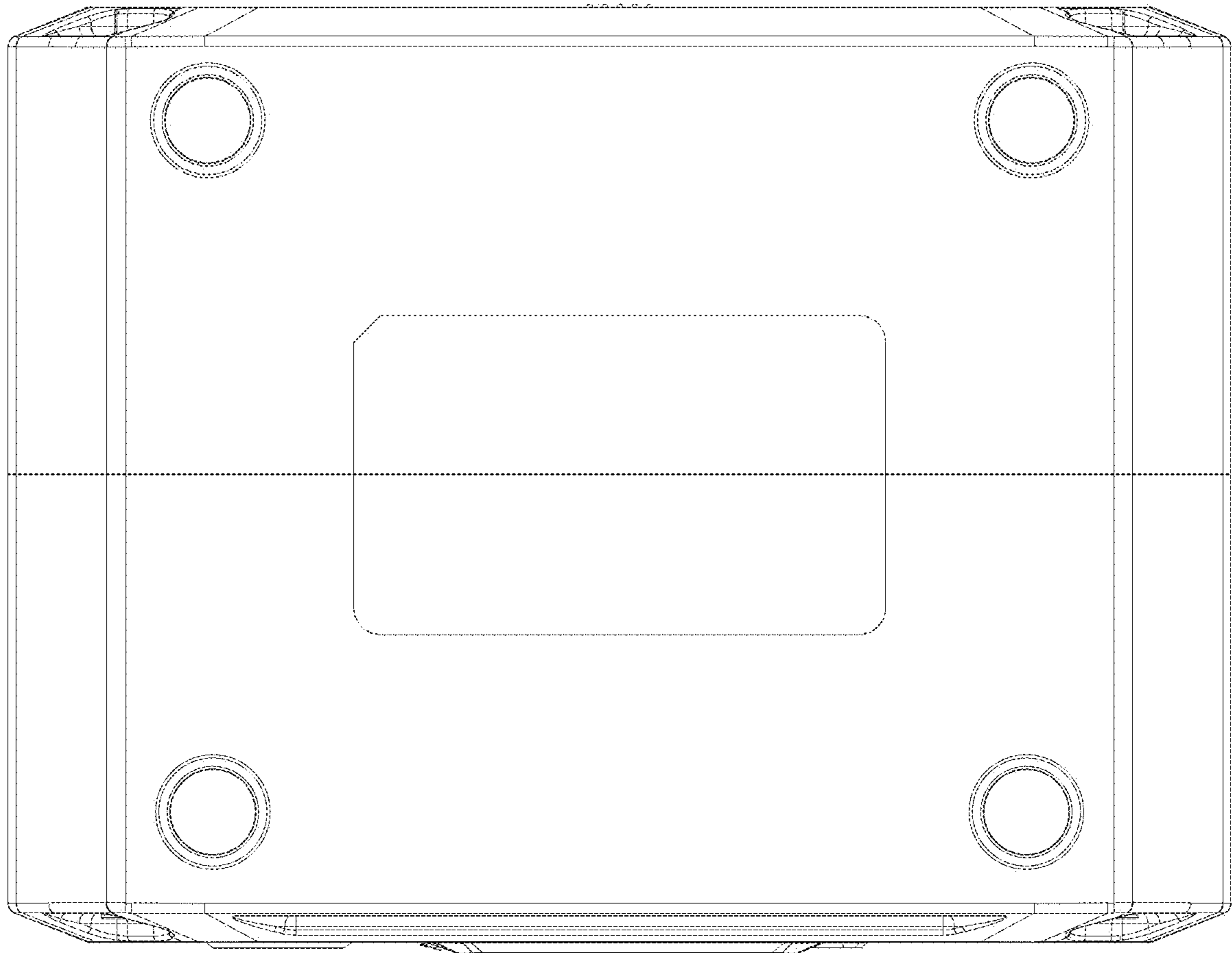


FIG. 3

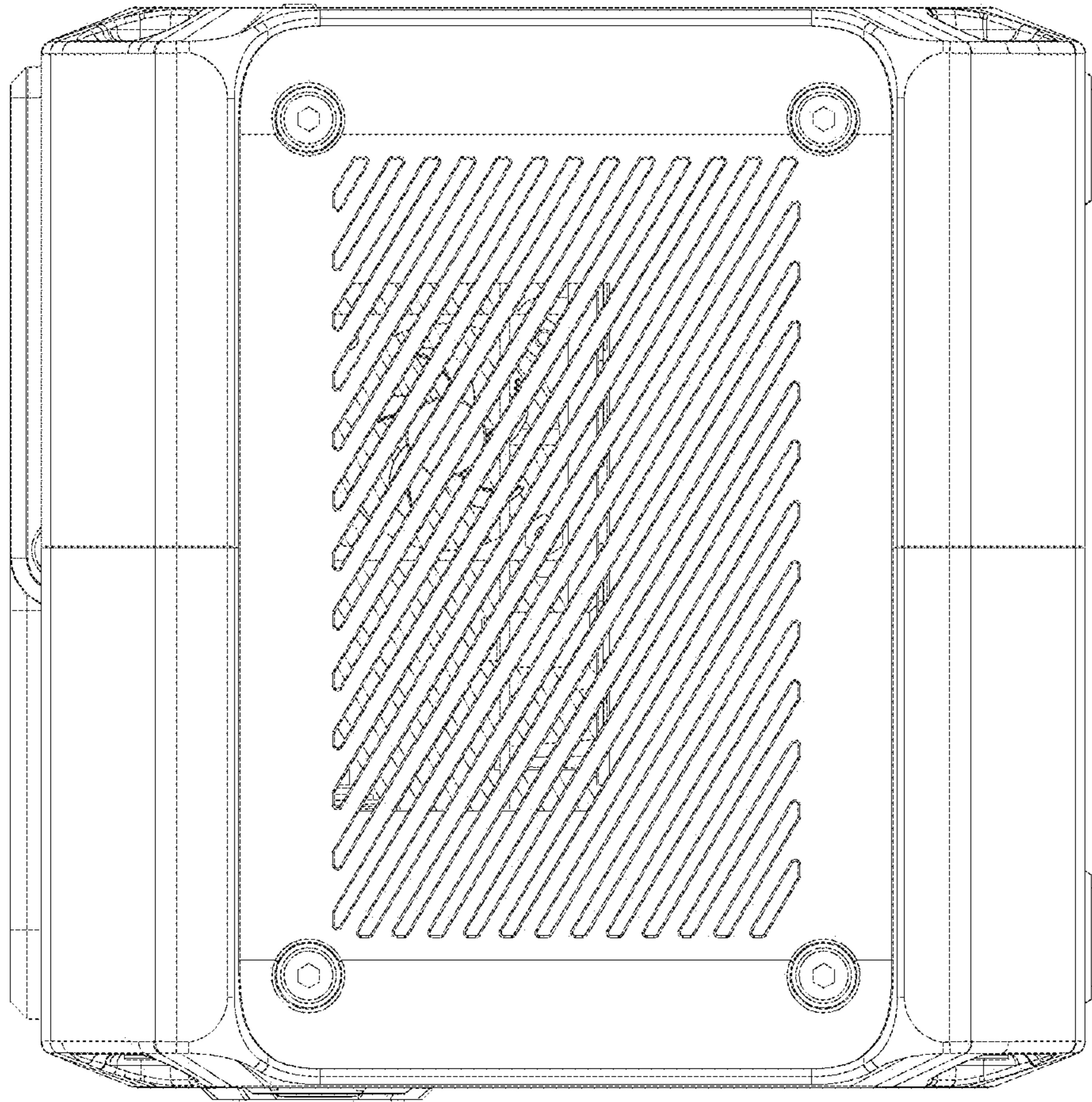


FIG. 4

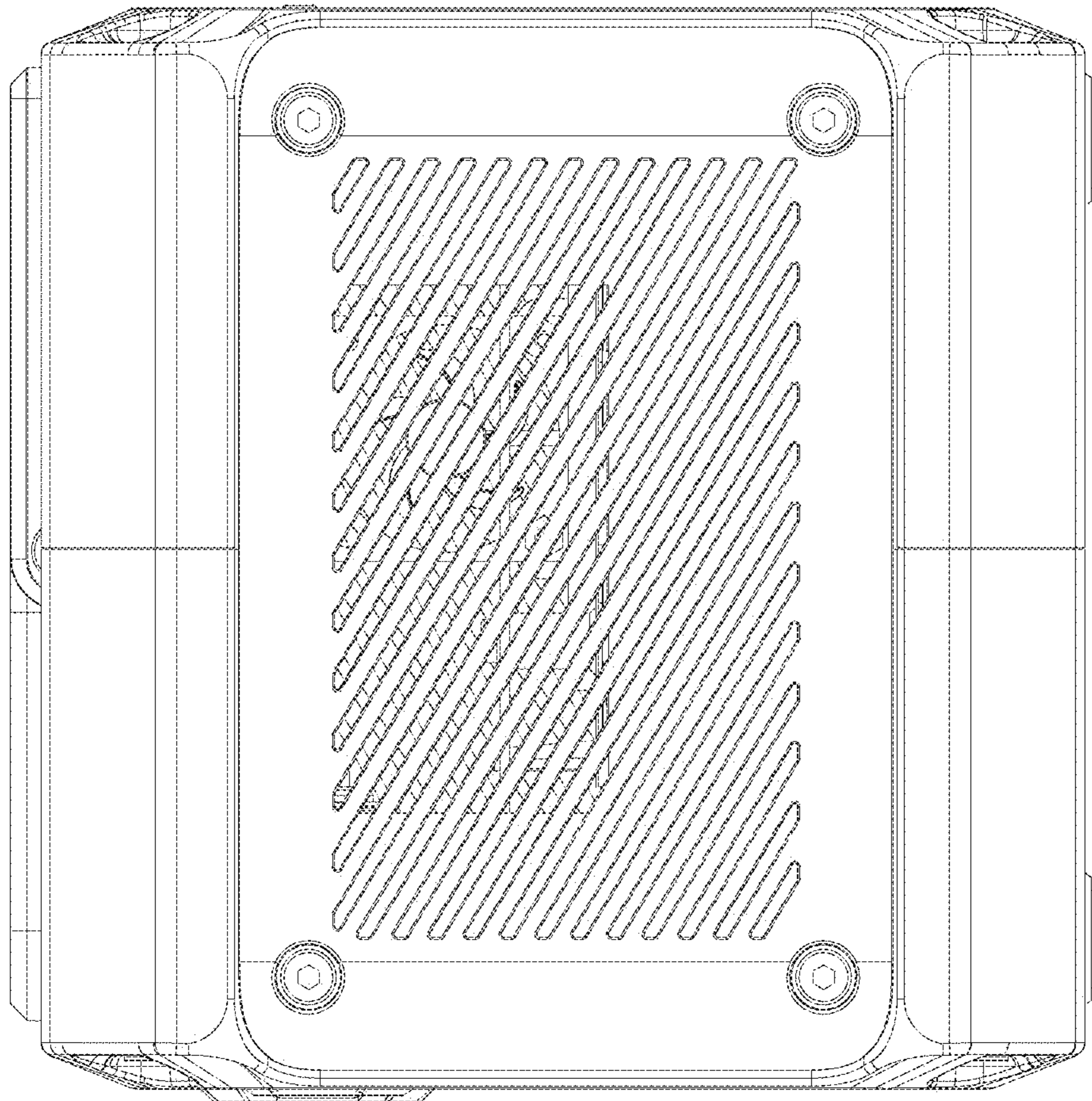


FIG. 5

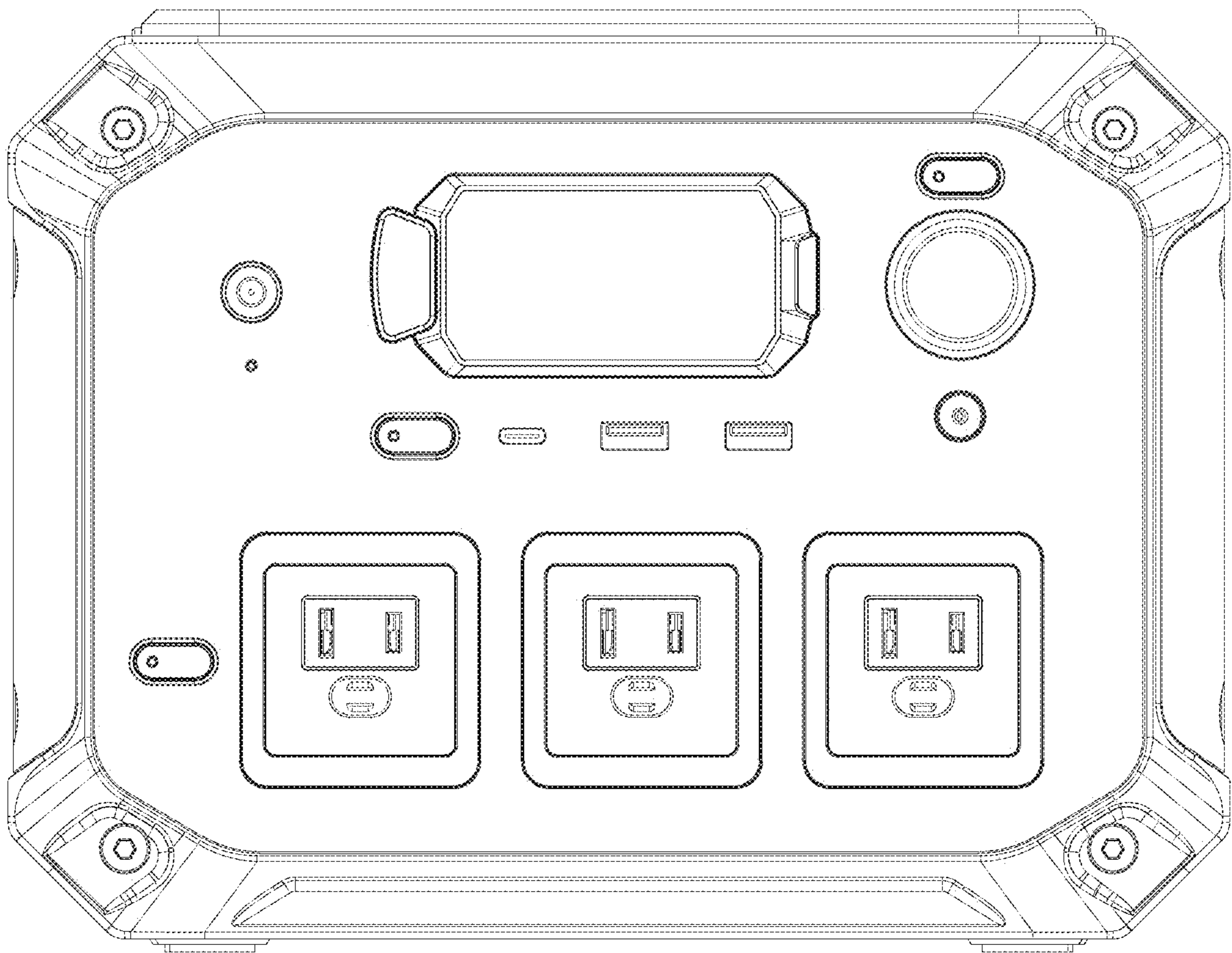


FIG. 6



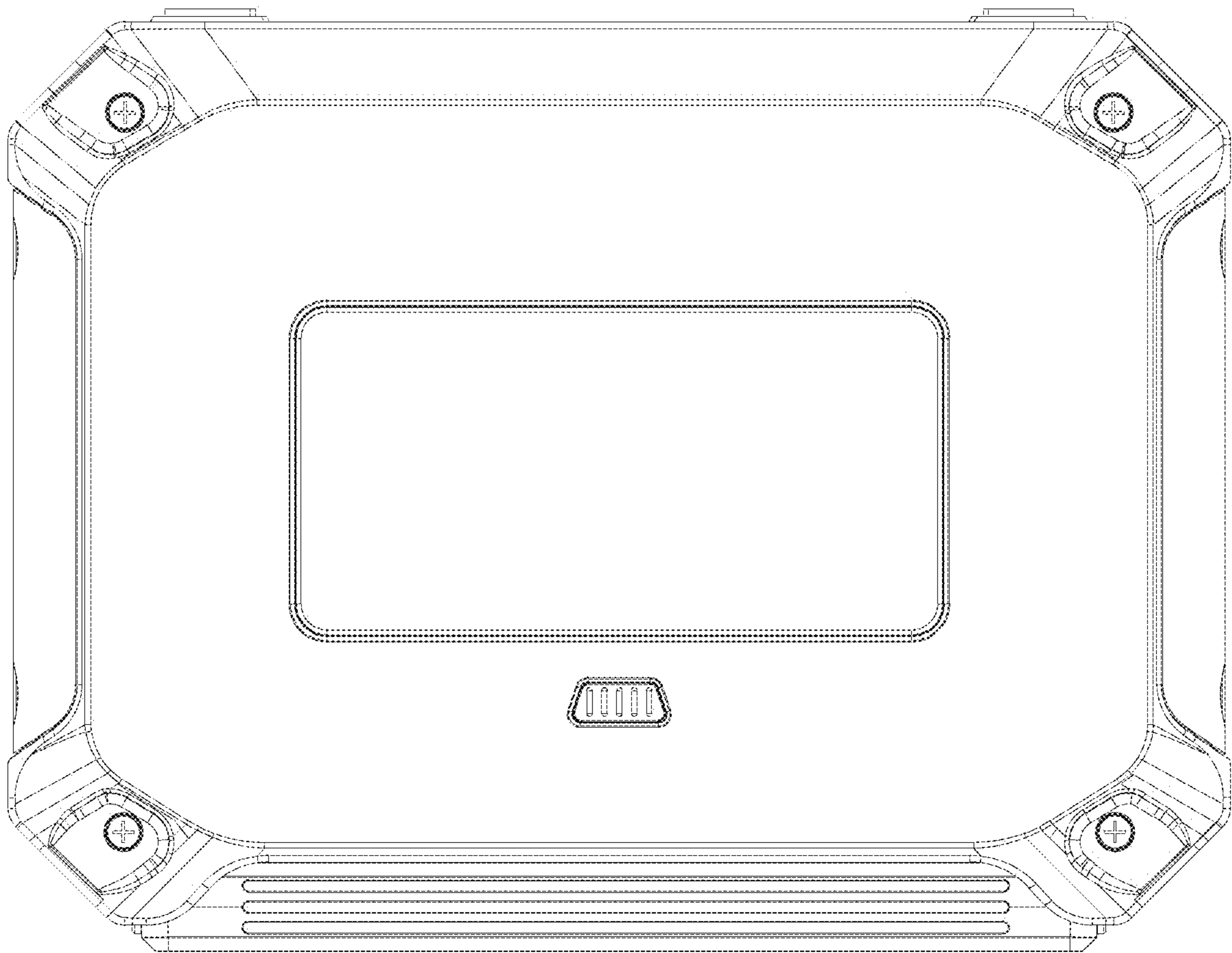


FIG. 7