



(12) **United States Design Patent**  
**Venugopal et al.**

(10) **Patent No.:** **US D940,066 S**  
(45) **Date of Patent:** **\*\* Jan. 4, 2022**

(54) **BATTERY**

(71) Applicant: **GoPro, Inc.**, San Mateo, CA (US)

(72) Inventors: **Sameer Mysore Venugopal**, Milpitas, CA (US); **Deepak Kumar Kandasamy Karthikeyan**, Union City, CA (US); **Juntao Sun**, Shenzhen (CN); **Wei Wang**, Shenzhen (CN)

(73) Assignee: **GoPro, Inc.**, San Mateo, CA (US)

(\*\*) Term: **15 Years**

(21) Appl. No.: **29/699,944**

(22) Filed: **Jul. 30, 2019**

**Related U.S. Application Data**

(63) Continuation of application No. 29/519,365, filed on Sep. 28, 2017, now Pat. No. Des. 861,592.

(51) **LOC (13) Cl.** ..... **13-02**

(52) **U.S. Cl.**  
USPC ..... **D13/103**

(58) **Field of Classification Search**  
USPC ..... D13/102–110, 118, 119, 184, 199  
(Continued)

(56) **References Cited**

**U.S. PATENT DOCUMENTS**

3,721,746 A † 3/1973 Knappenberger ... H05K 9/0032  
174/37

D260,513 S † 9/1981 Comstock ..... D13/12  
(Continued)

**OTHER PUBLICATIONS**

Amazon.com: GoPro Battery (Fusion) . . . Date First Available of Feb. 1, 2018. Retrieved from the internet at <<https://www.amazon.com/GoPro-Camera-ASBBA-001-Fusion-Battery/dp/B078XY2L42/>>, Sep. 14, 2020. 1 page. (Year: 2018).\*

com/GoPro-Camera-ASBBA-001-Fusion-Battery/dp/B078XY2L42/>, Sep. 14, 2020. 1 page. (Year: 2018).\*

(Continued)

*Primary Examiner* — Christy Nemeth

(74) *Attorney, Agent, or Firm* — Young Basile Hanlon & MacFarlane, P.C.

(57) **CLAIM**

The ornamental design for a battery, as shown and described.

**DESCRIPTION**

FIG. 1 is a top, front, left perspective view of an embodiment of a battery.

FIG. 2 is a left elevation view of the battery shown in FIG. 1.

FIG. 3 is a right elevation of the battery shown in FIG. 1.

FIG. 4 is a rear elevation view of the battery shown in FIG. 1.

FIG. 5 is a front elevation view of the battery shown in FIG. 1.

FIG. 6 is a top plan view of the battery shown in FIG. 1.

FIG. 7 is a bottom plan view of the battery shown in FIG. 1.

FIG. 8 is a top, front, left perspective view of another embodiment of a battery.

FIG. 9 is a left elevation view of the battery shown in FIG. 8.

FIG. 10 is a right elevation of the battery shown in FIG. 8.

FIG. 11 is a rear elevation view of the battery shown in FIG. 8.

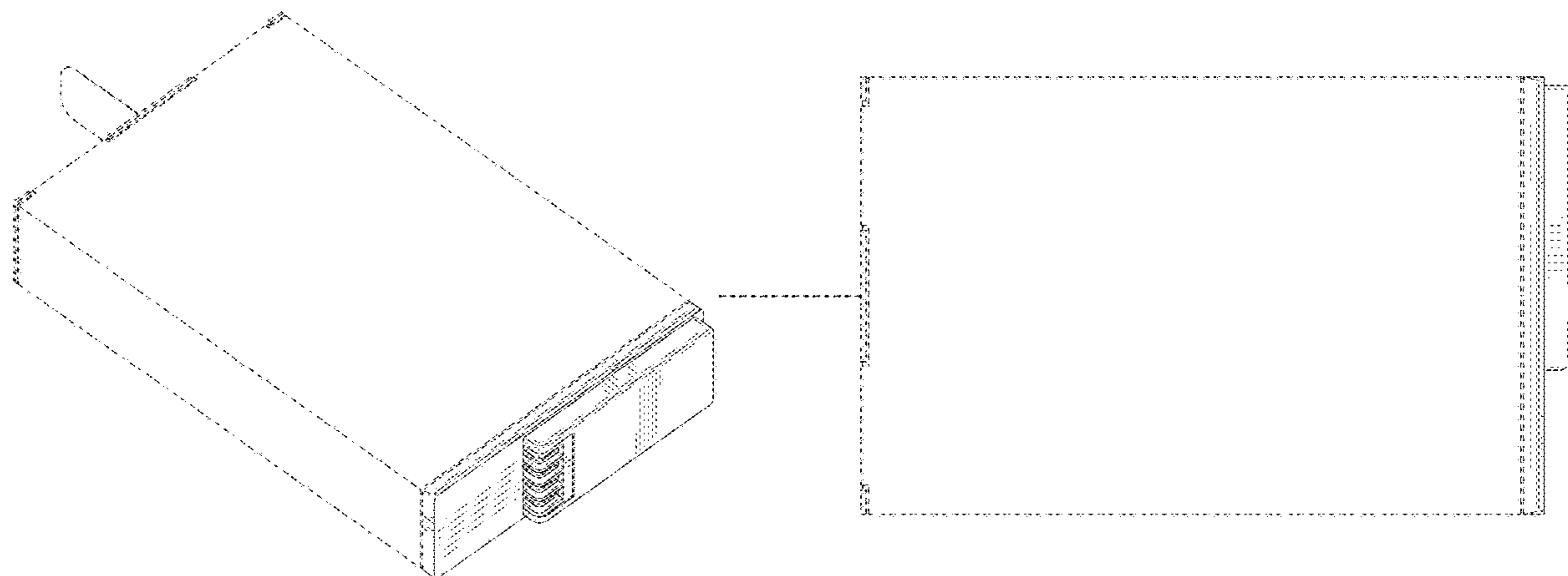
FIG. 12 is a front elevation view of the battery shown in FIG. 8.

FIG. 13 is a top plan view of the battery shown in FIG. 8; and,

FIG. 14 is a bottom plan view of the battery shown in FIG. 8.

The broken lines in the drawings are for the purpose of illustrating portions of the battery and form no part of the claimed design.

**1 Claim, 10 Drawing Sheets**



(58) **Field of Classification Search**

CPC ..... Y02E 60/12; Y02E 60/122; Y02E 60/124;  
 Y02E 60/50; H01M 2/02; H01M 2/022;  
 H01M 2/0202; H01M 2/0207; H01M  
 2/0212; H01M 2/1061; H01M 2/1022;  
 H01M 2/1055; H01M 2/1066; H01M  
 2/105; H01M 2/204; H01M 2/10; H01M  
 10/4257; H01M 10/0436; H01M 10/48;  
 H01M 10/44; H01M 10/46; H01M  
 10/425; H01M 2200/30; H01M 2250/30;  
 H01M 2250/40; H02J 7/00; H02J 7/0003;  
 H02J 7/0011; H02J 7/0013; H02J 7/0054;  
 H02J 7/0055; H02J 7/0057; H02J 7/0034;  
 H02J 7/1423; H02J 7/025; H02J 7/0042;  
 H02J 7/0044; H02J 7/0045; H02G 15/18;  
 H02G 15/1826; H01R 13/516; H01R  
 13/518; H01R 13/52; H01R 13/46; H01R  
 13/50; H01R 13/506; H01R 13/5213;  
 H01R 13/6675; Y02T 10/7005; Y02T  
 10/705; Y02T 10/7088

See application file for complete search history.

(56) **References Cited**

U.S. PATENT DOCUMENTS

|           |   |   |         |              |       |                      |
|-----------|---|---|---------|--------------|-------|----------------------|
| D299,651  | S | † | 1/1989  | Preussner    | ..... | D13/18               |
| 5,216,371 | A | † | 6/1993  | Nagai        | ..... | H01M 10/48<br>324/42 |
| D348,043  | S | † | 6/1994  | Hamilton     | ..... | D13/10               |
| D354,739  | S | † | 1/1995  | Durham       | ..... | D13/18               |
| D404,356  | S | † | 1/1999  | Higgins      | ..... | D13/10               |
| D408,796  | S | † | 4/1999  | Georgopoulos | ..... | D13/18               |
| D409,160  | S | † | 5/1999  | Sonntag      | ..... | D13/18               |
| D412,153  | S | † | 7/1999  | Chen         | ..... | D13/10               |
| D423,449  | S | † | 4/2000  | Naskali      | ..... | D13/10               |
| D449,577  | S | † | 10/2001 | Nishio       | ..... | D13/10               |
| D456,006  | S | † | 4/2002  | Maher        | ..... | D13/11               |
| D457,132  | S | † | 5/2002  | Petheibridge | ..... | D13/10               |
| D463,774  | S | † | 10/2002 | Buck         | ..... | D13/12               |
| D480,682  | S | † | 10/2003 | Kawase       | ..... | D13/10               |
| D481,995  | S | † | 11/2003 | Yokota       | ..... | D13/10               |
| D483,329  | S | † | 12/2003 | Kuo          | ..... | D13/11               |
| D494,940  | S | † | 8/2004  | Fiocchi      | ..... | D13/18               |
| D509,189  | S | † | 9/2005  | Buck         | ..... | D13/12               |
| D510,721  | S | † | 10/2005 | Axelrod      | ..... | D13/10               |
| D512,371  | S | † | 12/2005 | Axelrod      | ..... | D13/10               |
| D516,502  | S | † | 3/2006  | Small        | ..... | D13/10               |
| D516,503  | S | † | 3/2006  | Takeshita    | ..... | D13/10               |
| D524,241  | S | † | 7/2006  | Takeshita    | ..... | D13/10               |
| D526,612  | S | † | 8/2006  | Sugeno       | ..... | D13/10               |
| D535,249  | S | † | 1/2007  | Ogasawara    | ..... | D13/10               |
| D535,253  | S | † | 1/2007  | Buck         | ..... | D13/10               |
| D555,587  | S | † | 11/2007 | Yamamoto     | ..... | D13/10               |
| D584,683  | S | † | 1/2009  | Preliasco    | ..... | D13/10               |
| D610,539  | S | † | 2/2010  | Dahan        | ..... | D13/11               |
| D631,835  | S | † | 2/2011  | Neidhart     | ..... | D13/10               |
| D637,552  | S | * | 5/2011  | Inman        | ..... | D13/103              |
| D640,196  | S | † | 6/2011  | Shuang       | ..... | D13/10               |
| D642,517  | S | * | 8/2011  | Inman        | ..... | D13/103              |
| D643,809  | S | † | 8/2011  | Okuda        | ..... | D13/10               |

|              |    |   |         |             |       |                       |
|--------------|----|---|---------|-------------|-------|-----------------------|
| D644,988     | S  | † | 9/2011  | Finney      | ..... | D13/10                |
| D647,944     | S  | † | 11/2011 | Jannard     | ..... | D13/10                |
| D654,850     | S  | † | 2/2012  | Obata       | ..... | D13/10                |
| D660,788     | S  | † | 5/2012  | Ziring      | ..... | D13/10                |
| D665,340     | S  | † | 8/2012  | Obata       | ..... | D13/10                |
| 8,247,106    | B2 | † | 8/2012  | Takeshita   | ..... | H01M 2/1066<br>429/10 |
| D674,749     | S  | † | 1/2013  | Moore       | ..... | D13/11                |
| D682,777     | S  | † | 5/2013  | Gupta       | ..... | D13/10                |
| D682,778     | S  | † | 5/2013  | Baumgartner | ..... | D13/10                |
| D700,136     | S  | † | 2/2014  | Morris      | ..... | D13/10                |
| 8,828,601    | B2 | † | 9/2014  | Hara        | ..... | H01M 2/1022<br>429/17 |
| D723,456     | S  | † | 3/2015  | Currah      | ..... | D13/10                |
| D724,538     | S  | † | 3/2015  | Baumgartner | ..... | D13/11                |
| D725,590     | S  | * | 3/2015  | Clyne       | ..... | D13/103               |
| D726,648     | S  | † | 4/2015  | Zealer      | ..... | D13/10                |
| D730,287     | S  | † | 5/2015  | Motoyama    | ..... | D13/11                |
| D769,814     | S  | † | 10/2016 | Lin         | ..... | D13/10                |
| D772,804     | S  | † | 11/2016 | Nakashima   | ..... | D13/10                |
| D780,111     | S  | * | 2/2017  | Clyne       | ..... | D13/103               |
| D780,112     | S  | † | 2/2017  | Lin         | ..... | D13/10                |
| D791,695     | S  | * | 7/2017  | Bergman     | ..... | D13/103               |
| D794,554     | S  | * | 8/2017  | Chang       | ..... | D13/103               |
| D808,898     | S  | * | 1/2018  | Walker      | ..... | D13/103               |
| D815,032     | S  | * | 4/2018  | Lin         | ..... | D13/103               |
| D835,574     | S  | * | 12/2018 | Trongone    | ..... | D13/103               |
| D861,592     | S  | * | 10/2019 | Venugopal   | ..... | D13/103               |
| D884,597     | S  | * | 5/2020  | Pilliod     | ..... | D13/103               |
| D887,970     | S  | * | 6/2020  | Himeno      | ..... | D13/103               |
| D890,709     | S  | * | 7/2020  | Lim         | ..... | D13/184               |
| 2001/0034163 | A1 | † | 10/2001 | Chiang      | ..... | H01R 13/26<br>439/66  |
| 2011/0223447 | A1 | † | 9/2011  | Ignor       | ..... | H01M 2/0207<br>429/7  |

OTHER PUBLICATIONS

Alex NLD AHDBT501 TinEye. Tineye.com [published Jan. 13, 2017][online][Accessed Feb. 28, 2017]<Url:https://tineye.com/search/a068519109ac11d29440a513c6a88863d1-dc6e51/?extension.sub.--ver=chrome-1.1.5>. 4 pages.

Amazon.com: Ailuki Rechargeable Battery 1490MAH 2 Pack and 3-Channel Charger for GoPro Hero. Published Jun. 22, 2017. Retrieved from the internet at <https://www.amazon.com/Rechargeable-Battery-3-Channel-Compatible-Original/dp/B0734J76NN/>, Jan. 19, 2019. 1 page. (Year: 2017).

Kingma Ebay. Ebay.com. [published Nov. 10, 2016][online][Accessed Feb. 28, 2017]<URL:http://www.ebay.com/itm/KingMa-AHDBT-501-Li-ion-Battery-1220- mAh-Dual-Charger-For-Gopro-Hero-5-Camera-/272413104511>. 4 pages.

ShoptheWall Tin Eye. Tineye.com[published Feb. 9, 2017][online][Accessed Feb. 27, 2017]. <URL:https://tineye.com/search/2432380143a2cf364f8dd9e5150bce62a316525- f/?extension.sub.--ver=chrome-1.1.5>. 4 pages.

youtube.com: Ailuki Battery Charger for GoPro Hero 5/6/7 at ~9 seconds; published by Jake Wipp on Mar. 15, 2019; retrieved from the internet at <<https://www.youtube.com/watch?v=M13sf6NBkVE>> on Apr. 24, 2019; 1 page.

\* cited by examiner

† imported from a related application

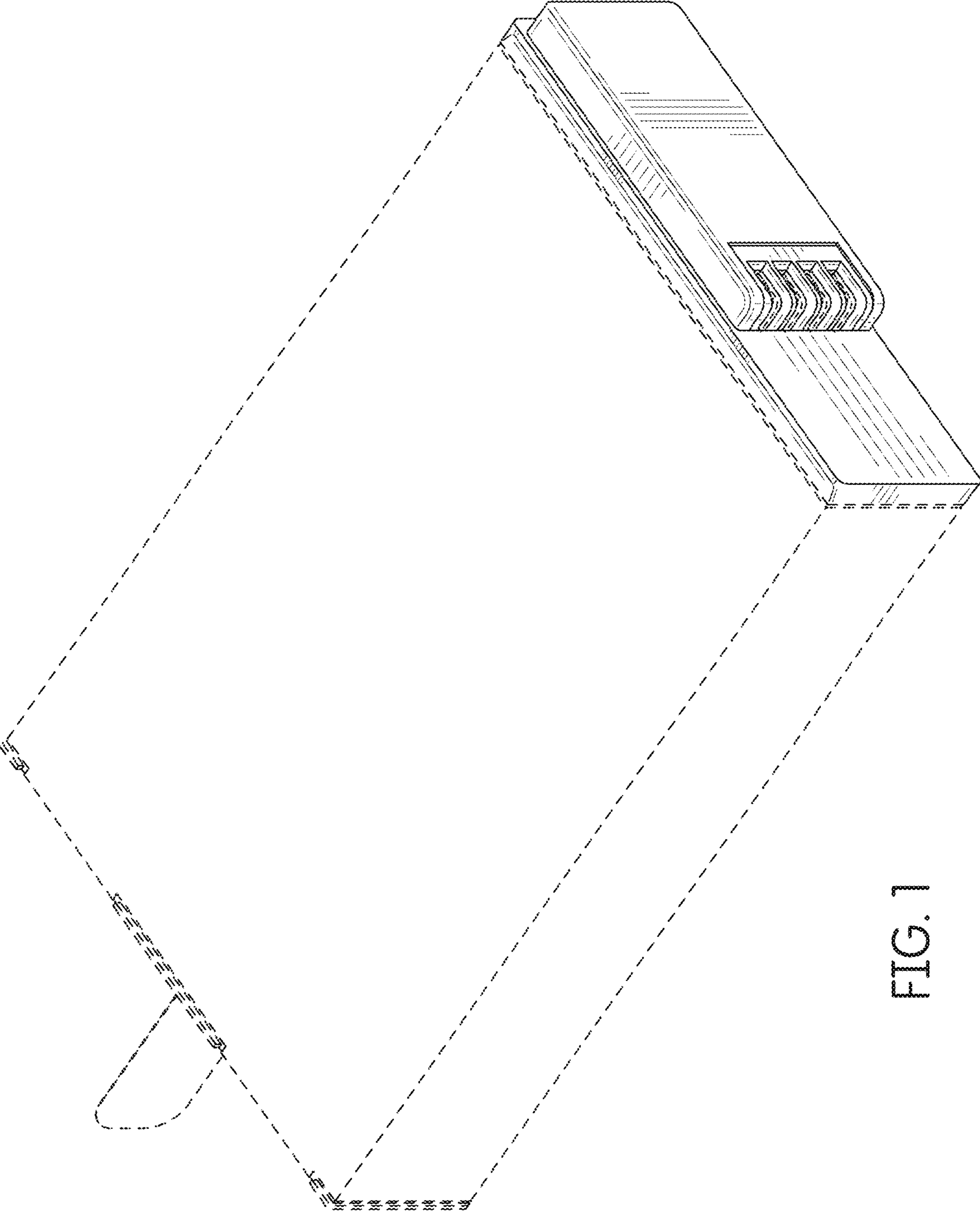


FIG. 1

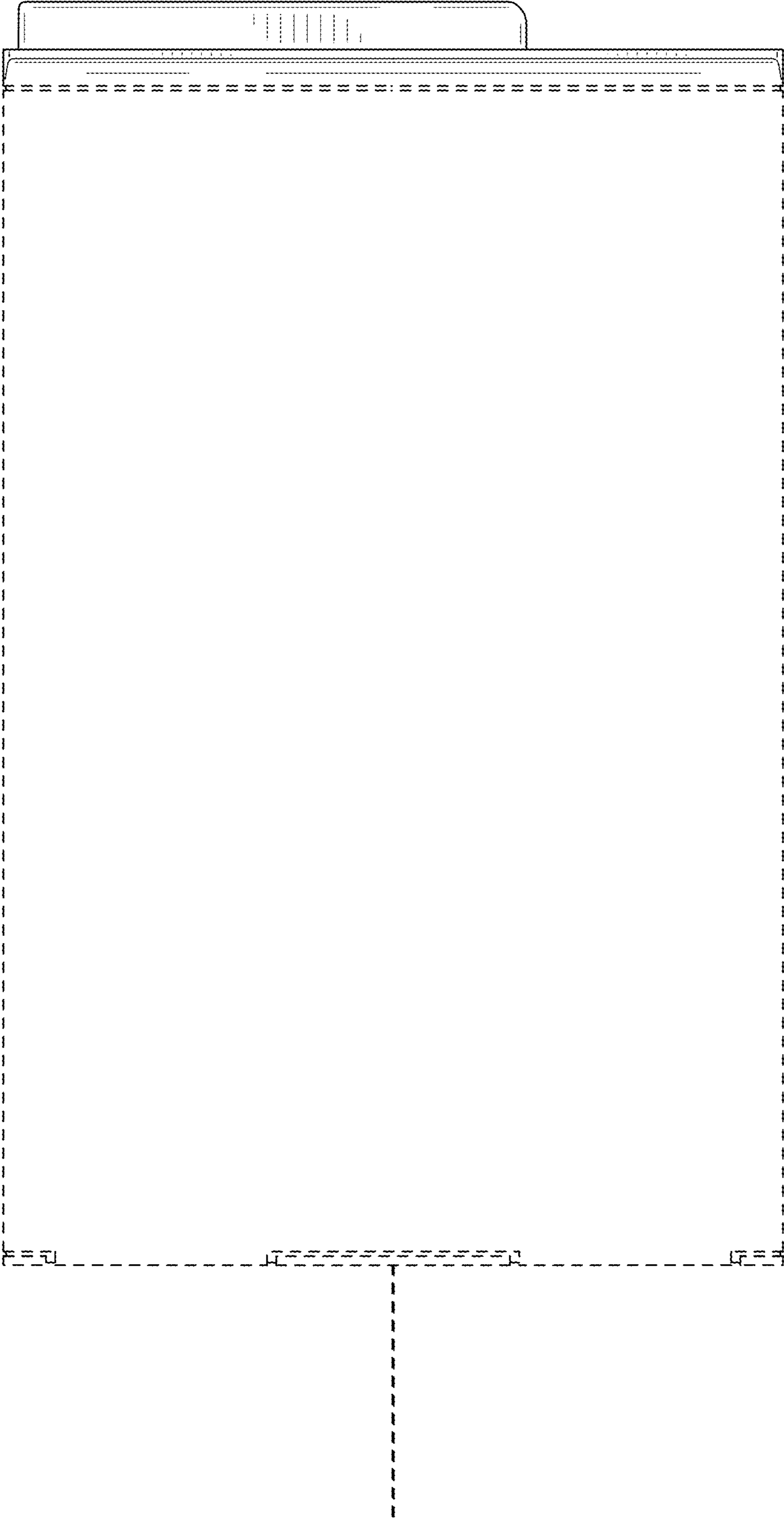


FIG. 2



FIG. 3

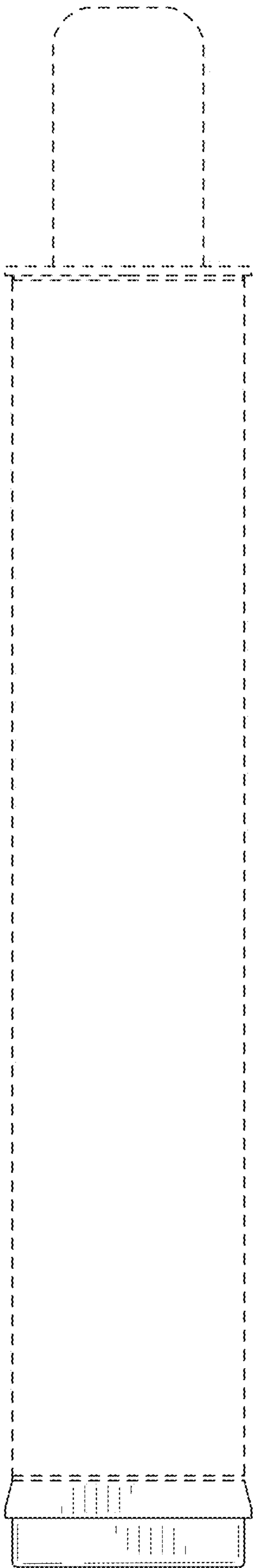


FIG. 4

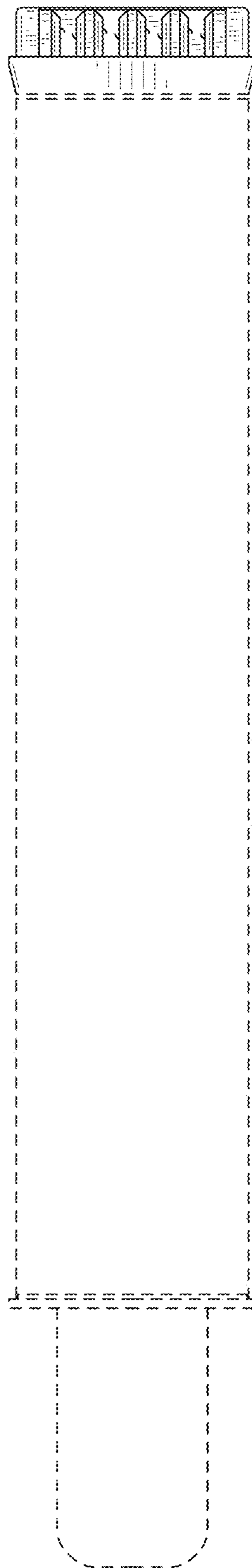


FIG. 5

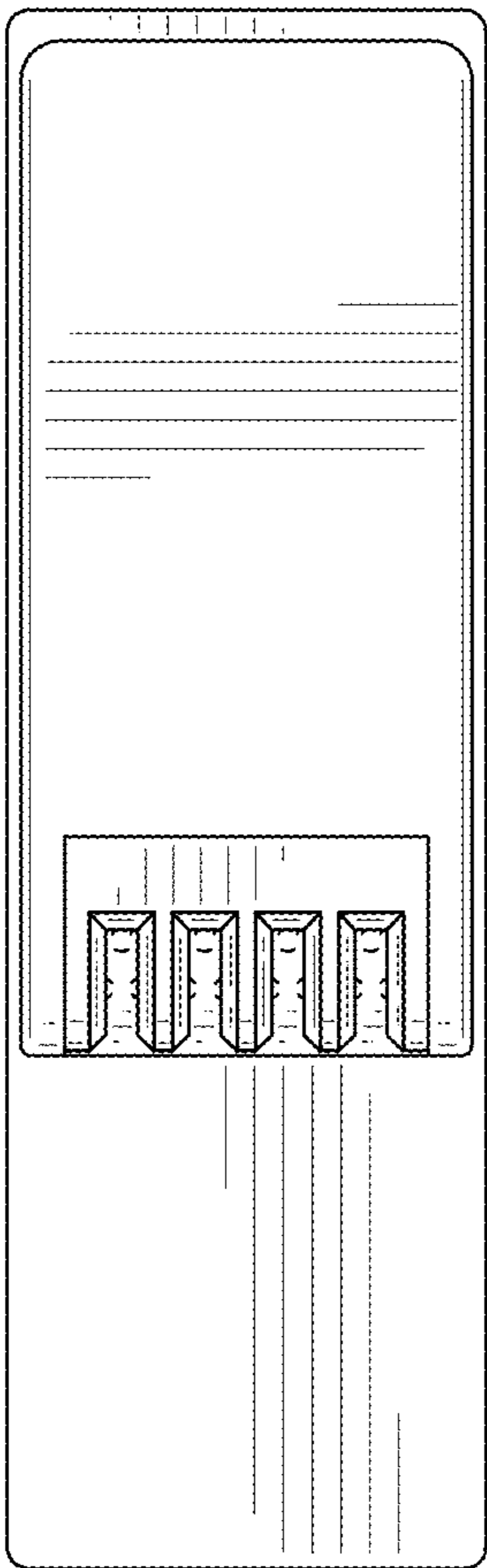


FIG. 6

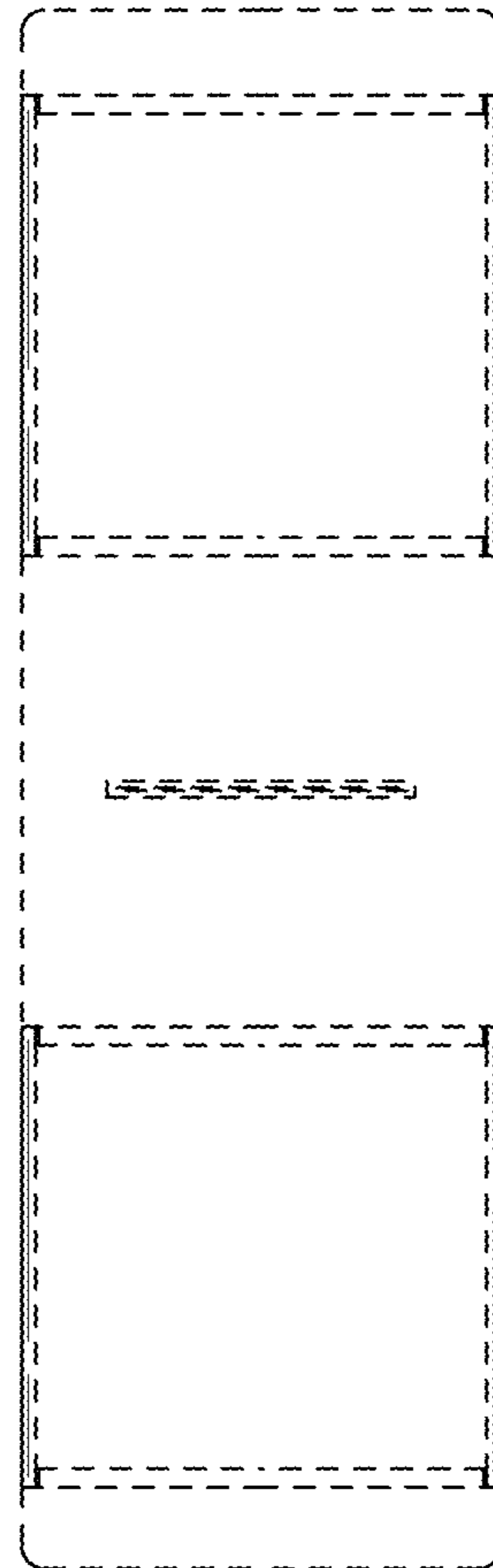


FIG. 7

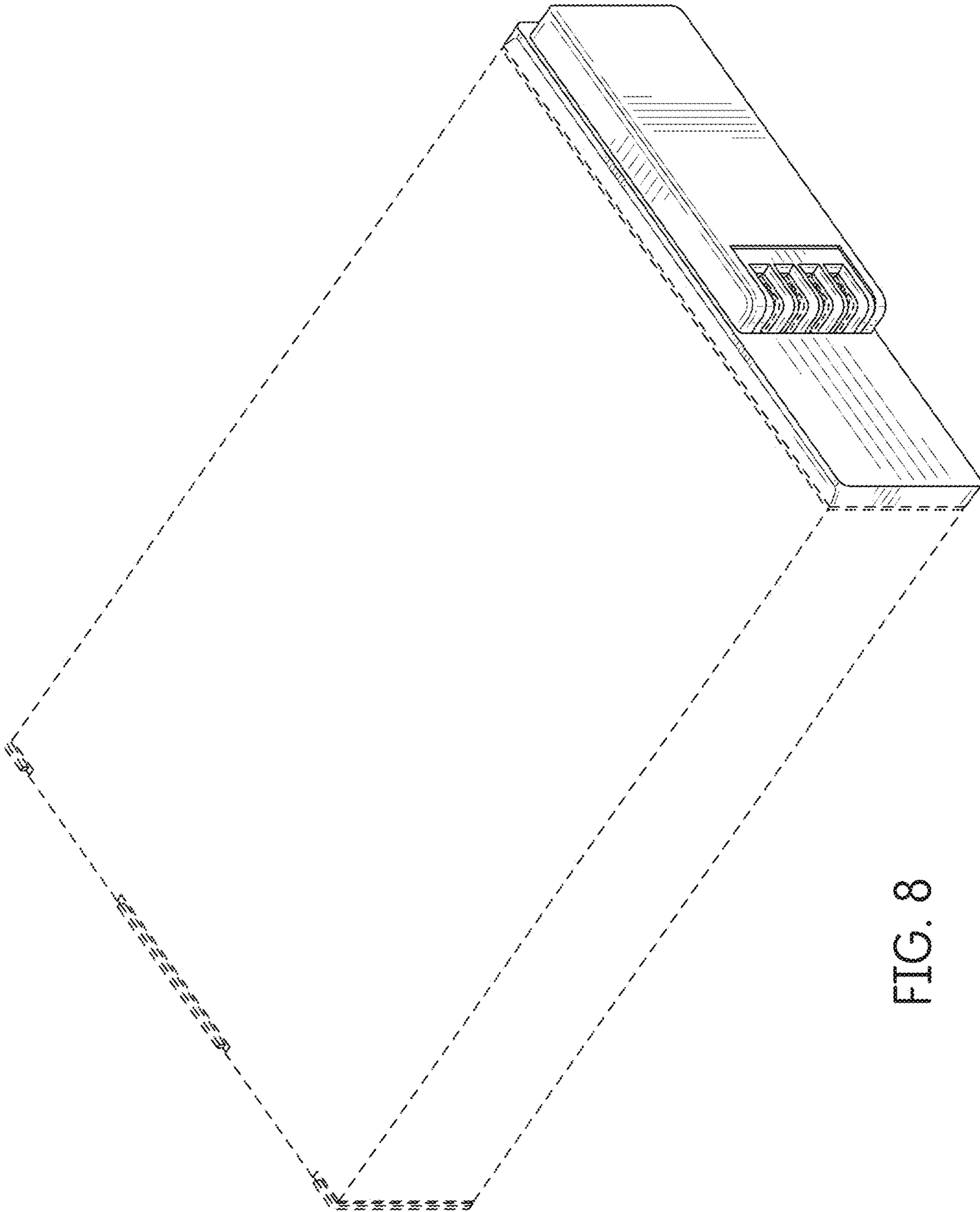


FIG. 8





FIG. 9

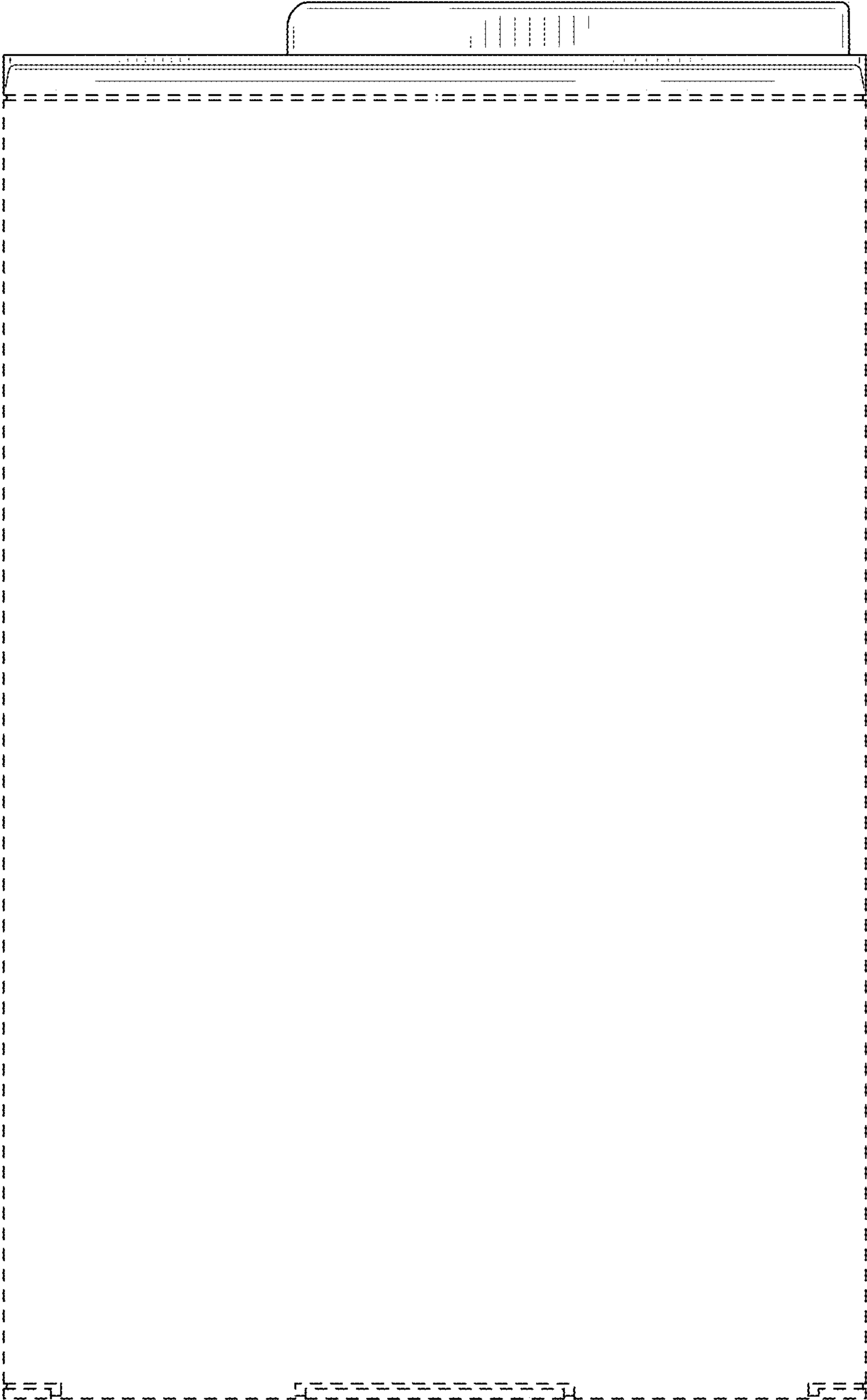


FIG. 10

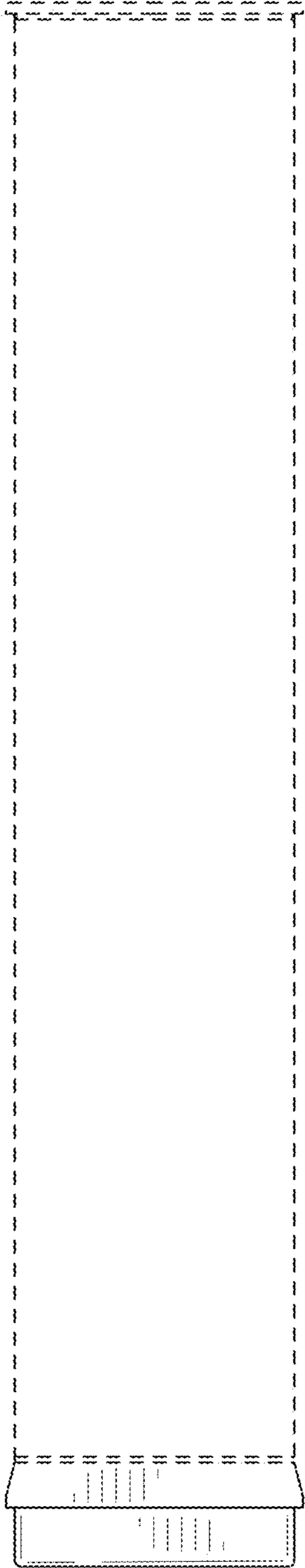


FIG. 11

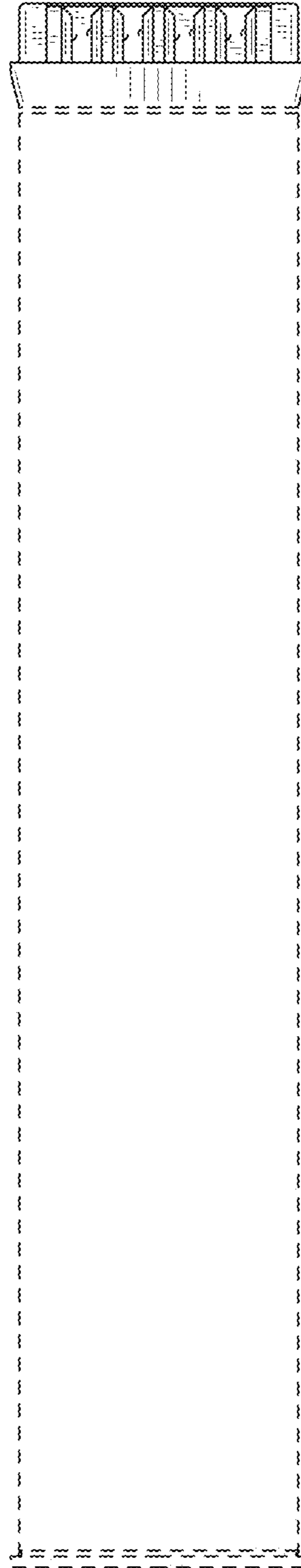


FIG. 12

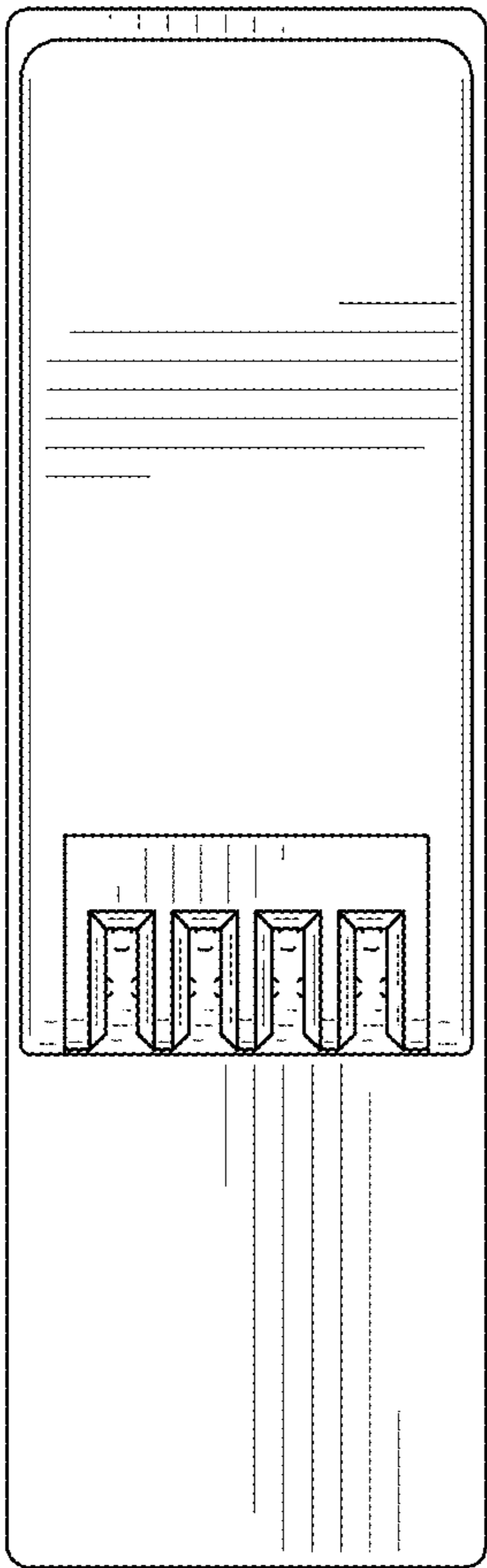


FIG. 13



FIG. 14

UNITED STATES PATENT AND TRADEMARK OFFICE  
**CERTIFICATE OF CORRECTION**


PATENT NO. : D940,066 S  
APPLICATION NO. : 29/699944  
DATED : January 4, 2022  
INVENTOR(S) : Sameer Mysore Venugopal et al.

Page 1 of 1

It is certified that error appears in the above-identified patent and that said Letters Patent is hereby corrected as shown below:

On the Title Page

Item (63), under Related U.S. Application Data:  
Replace "29/519,365" with --29/619,365--

Signed and Sealed this  
Seventh Day of June, 2022  
  
Katherine Kelly Vidal  
*Director of the United States Patent and Trademark Office*