



US00D940064S

(12) **United States Design Patent**
Wen

(10) **Patent No.:** **US D940,064 S**

(45) **Date of Patent:** **** Jan. 4, 2022**

(54) **SOLAR PANEL**

(71) Applicant: **Shenzhen Lianli Solar Energy Co., Ltd.**, Shenzhen (CN)

(72) Inventor: **Liyu Wen**, Wuhua (CN)

(**) Term: **15 Years**

(21) Appl. No.: **29/748,296**

(22) Filed: **Aug. 28, 2020**

(51) **LOC (13) Cl.** **13-02**

(52) **U.S. Cl.**
USPC **D13/102**

(58) **Field of Classification Search**
USPC D13/101, 102, 107, 110, 118, 133, 184, D13/199
CPC H01L 31/02; H01L 31/18; H01L 31/042; H01L 31/048; H01L 31/0525; H01L 31/0203; H01L 31/02008; H01L 31/0504; H01L 31/02013; H01L 27/142; H01L 27/1421; Y02E 10/40; Y02E 10/47; Y02E 10/50; Y02E 10/52; Y02E 10/54; Y02E 10/542; Y02E 10/544; H02S 30/10; H02S 40/34; H02S 40/44; H02J 7/0042
See application file for complete search history.

(56) **References Cited**

U.S. PATENT DOCUMENTS

4,172,739	A	*	10/1979	Tassen	H02S 20/32
						136/246
D311,722	S	*	10/1990	Cheng	D13/102
D380,191	S	*	6/1997	White	D13/102
D391,921	S	*	3/1998	Zimmer	D13/102
5,814,906	A	*	9/1998	Spencer	G06F 1/26
						307/150
D505,113	S	*	5/2005	Lam	D13/107
D620,880	S	*	8/2010	Xuan	D13/102

D662,040	S	*	6/2012	Yang	D13/102
D671,886	S	*	12/2012	Schacht	D13/102
D710,298	S	*	8/2014	Jie	D13/102
D862,763	S	*	10/2019	Zhao	D26/71

* cited by examiner

Primary Examiner — Derrick E Holland

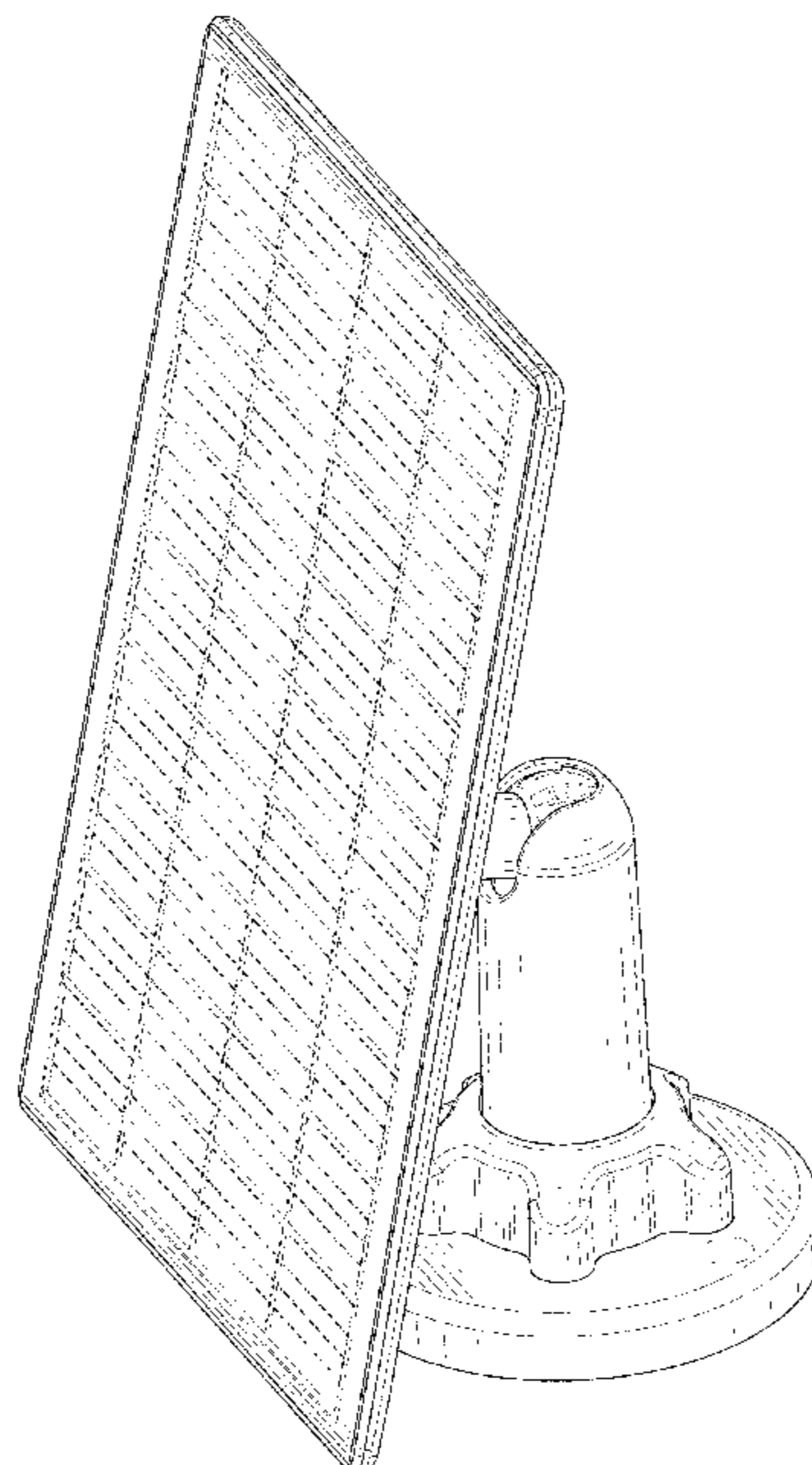
(57) **CLAIM**

The ornamental design for a solar panel, as shown and described.

DESCRIPTION

FIG. 1 is a first perspective view of a solar panel showing my new design;
 FIG. 2 is a second perspective view thereof;
 FIG. 3 is a front view thereof;
 FIG. 4 is a back view thereof;
 FIG. 5 is a left side view thereof;
 FIG. 6 is a right side view thereof;
 FIG. 7 is a top view thereof;
 FIG. 8 is a bottom view thereof;
 FIG. 9 is a perspective view of another state of the solar panel thereof;
 FIG. 10 is a perspective view of further another state of the solar panel thereof; and,
 FIG. 11 is an enlarged view of the selected portion in FIG. 2.
 The broken lines shown depict the portions of the solar panel that form no part of the claimed design.
 The short-dash long-dash broken lines in FIGS. 2 and 11 define the bounds of the claimed design and form no part thereof.

1 Claim, 11 Drawing Sheets



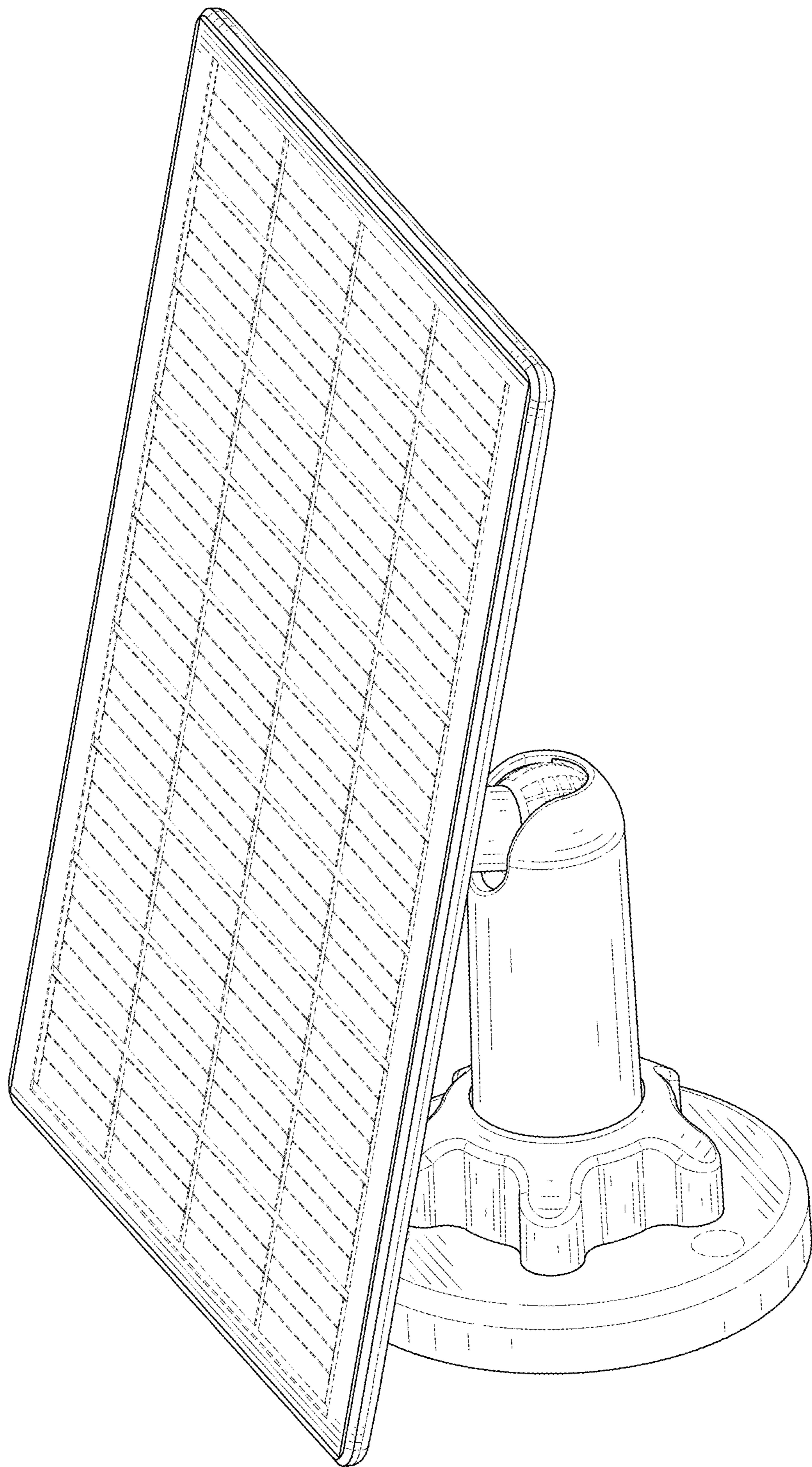


FIG. 1

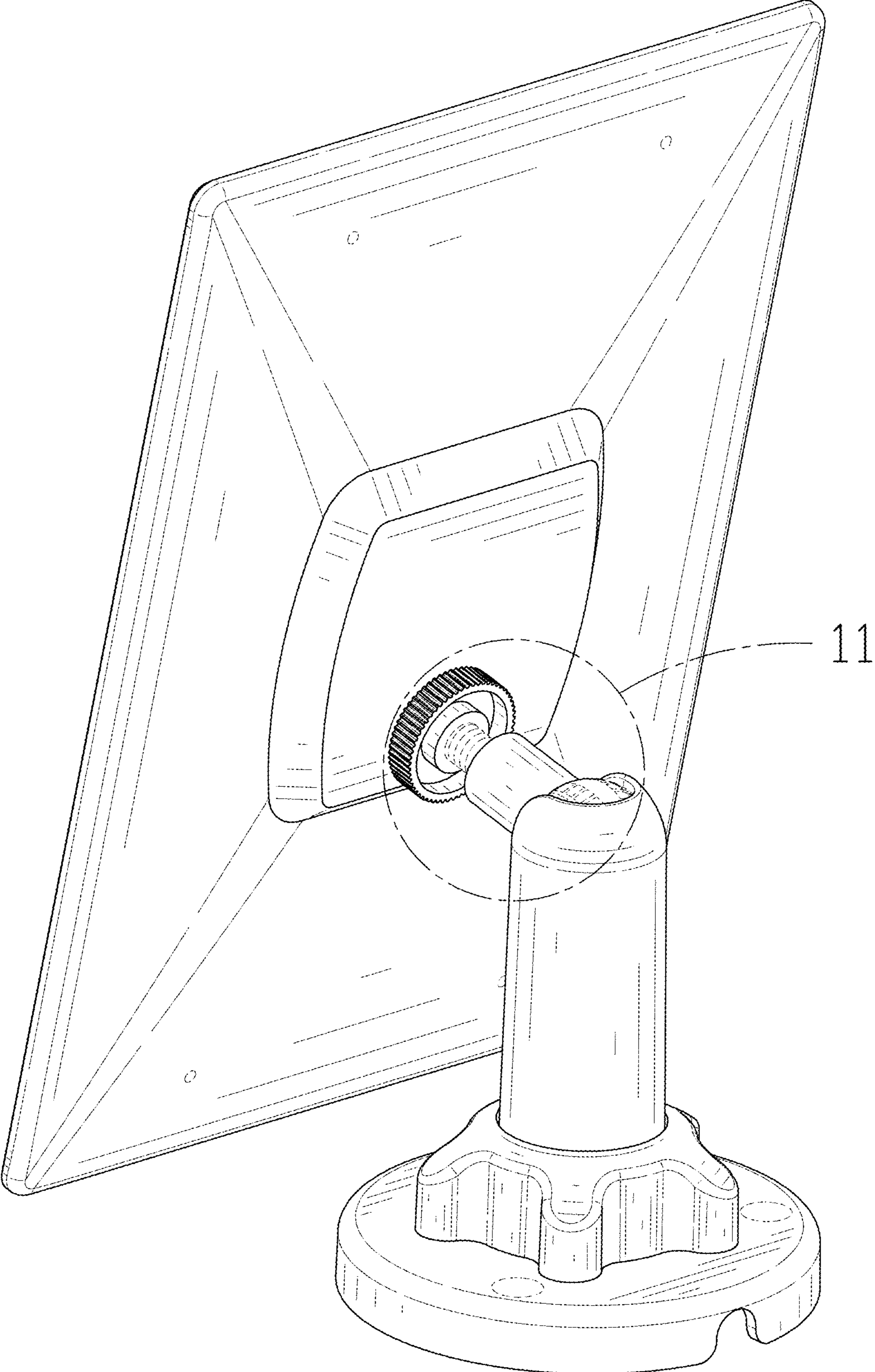


FIG. 2

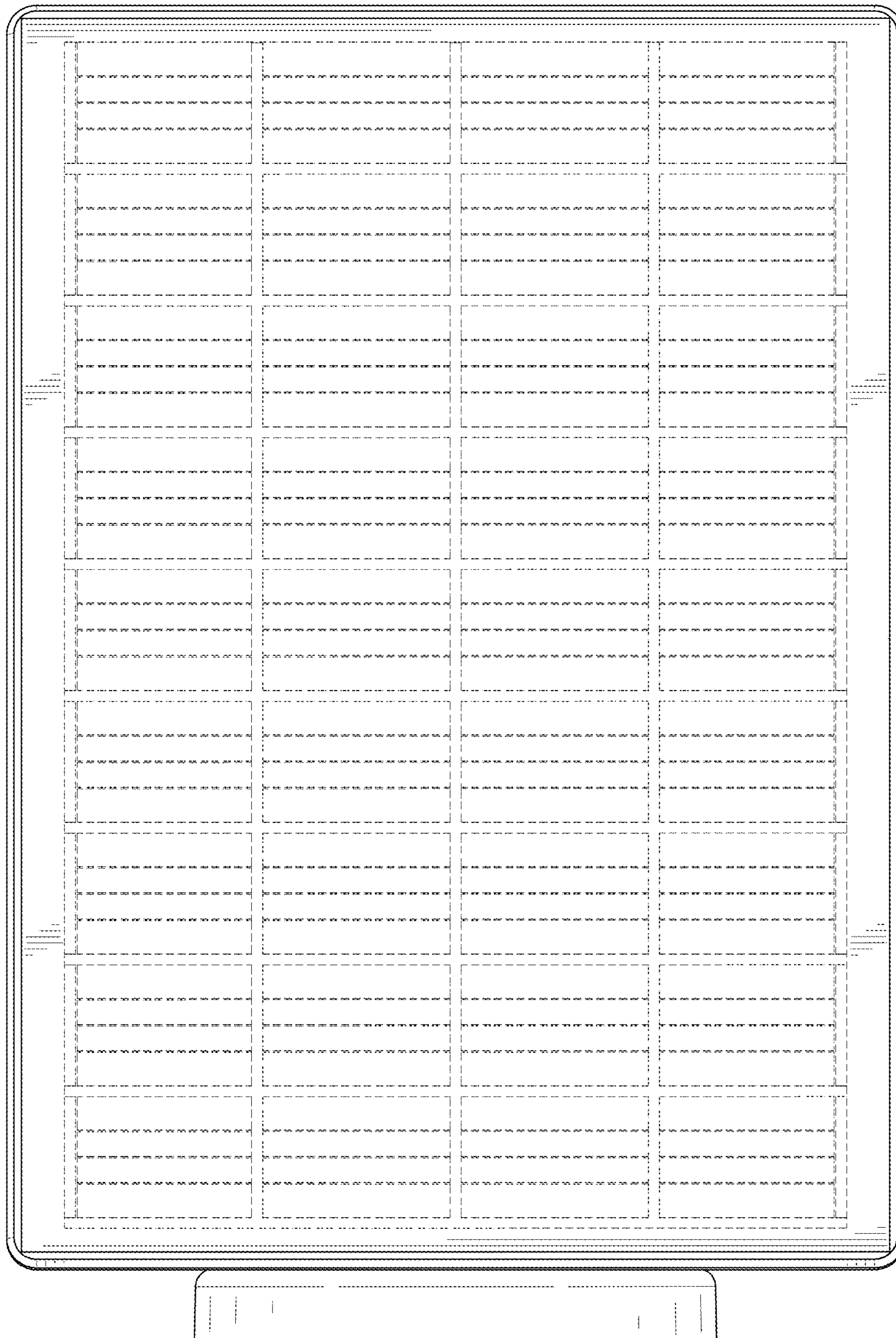


FIG. 3

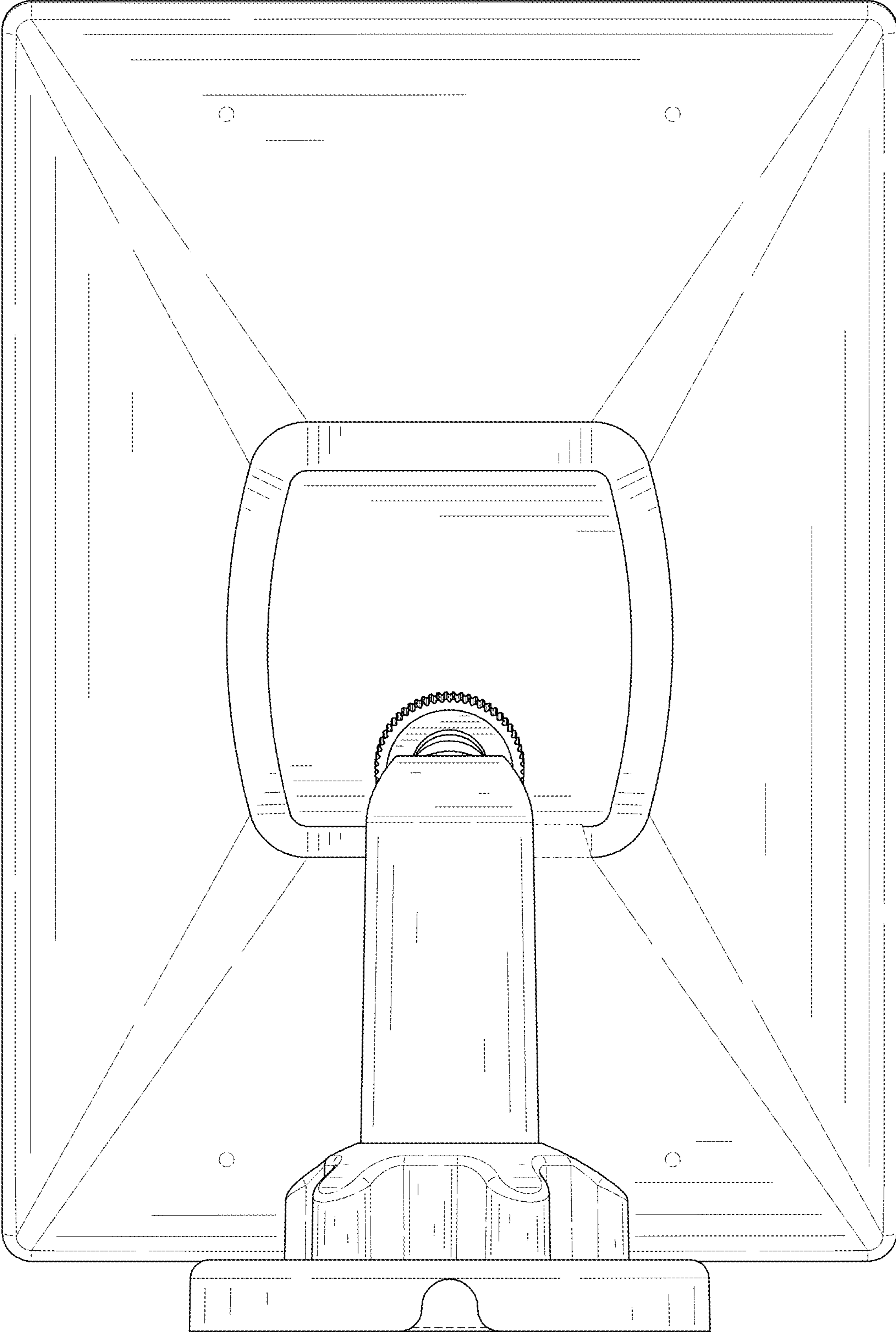


FIG. 4

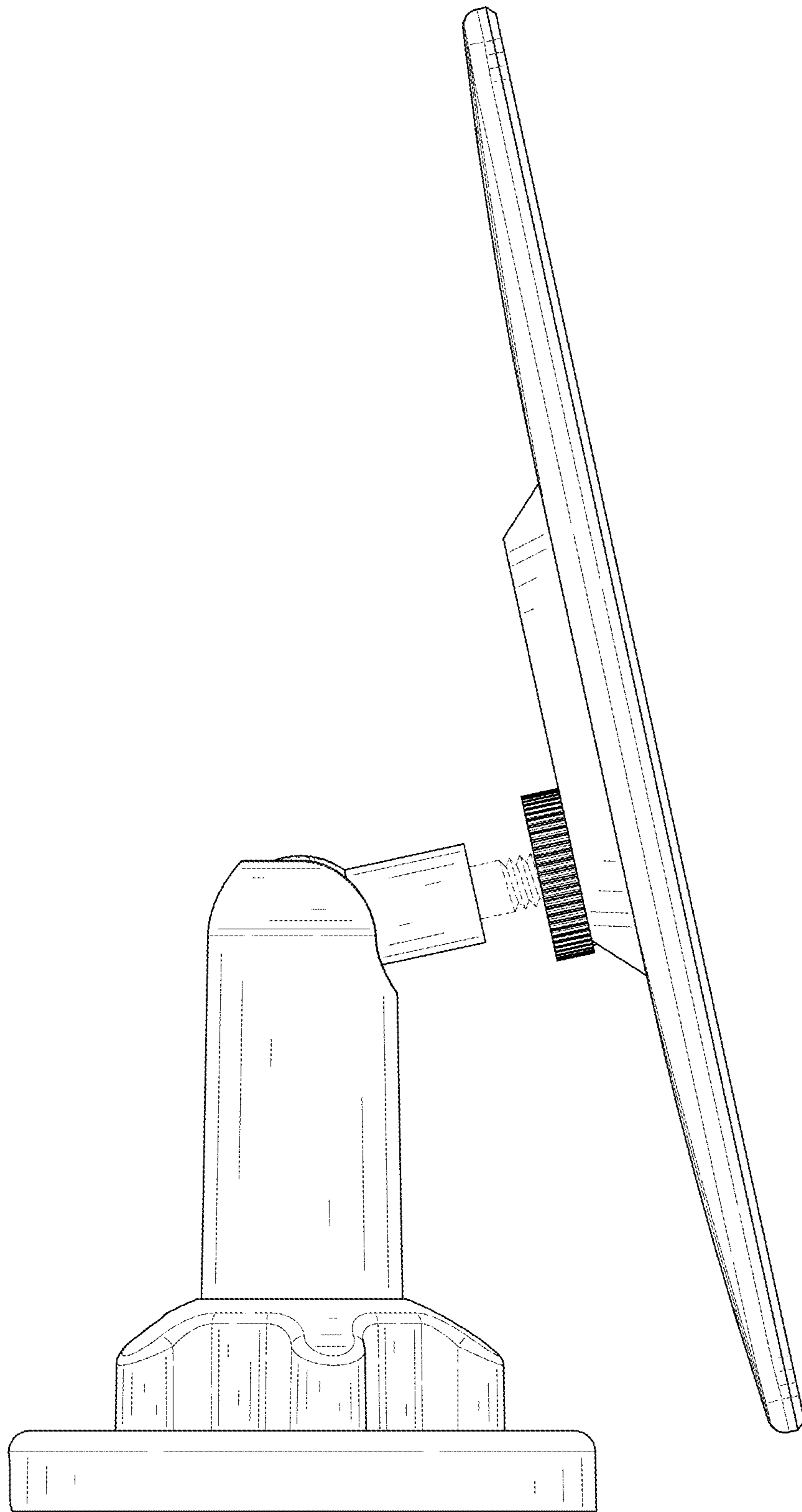


FIG. 5

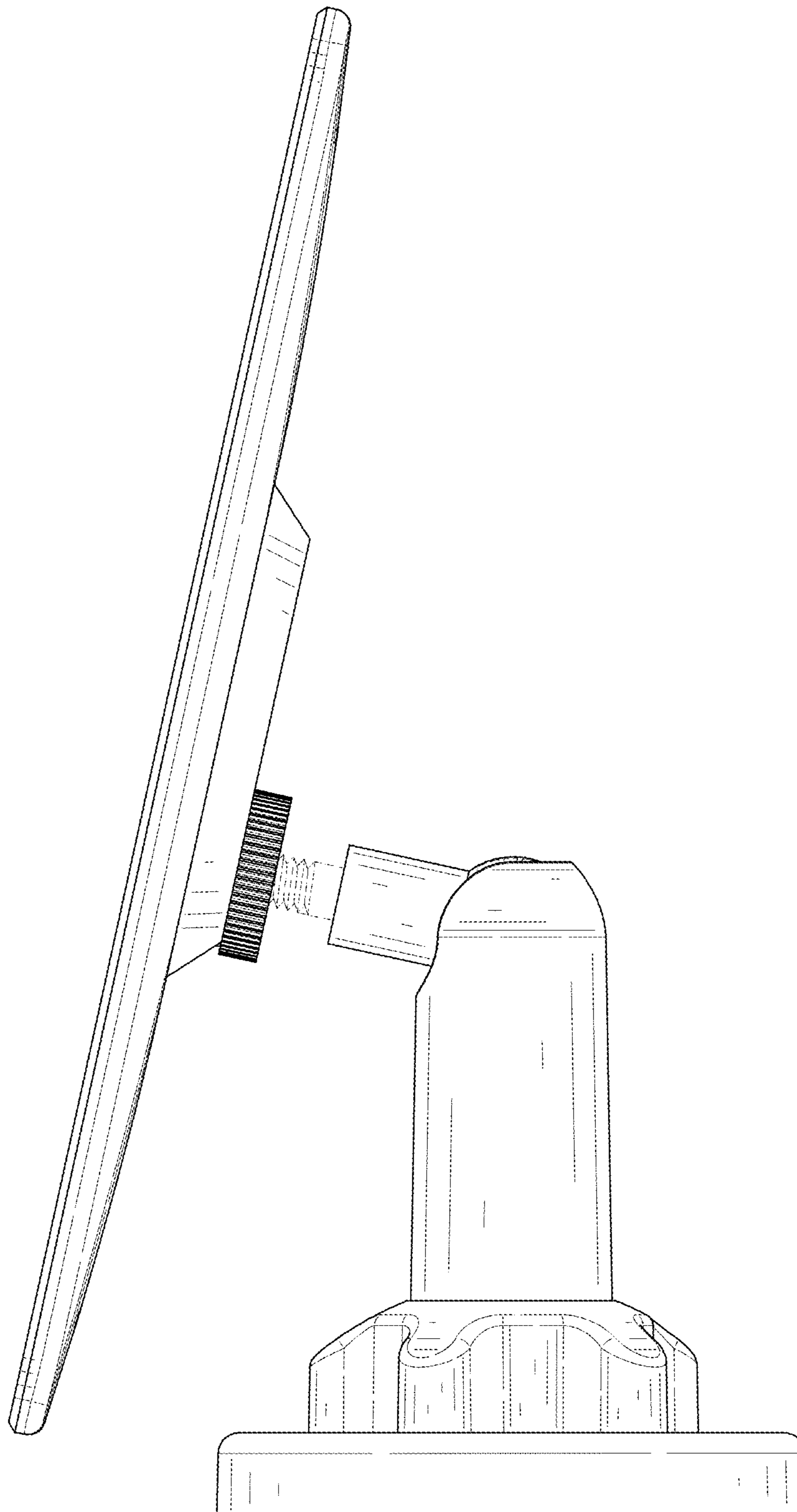


FIG. 6

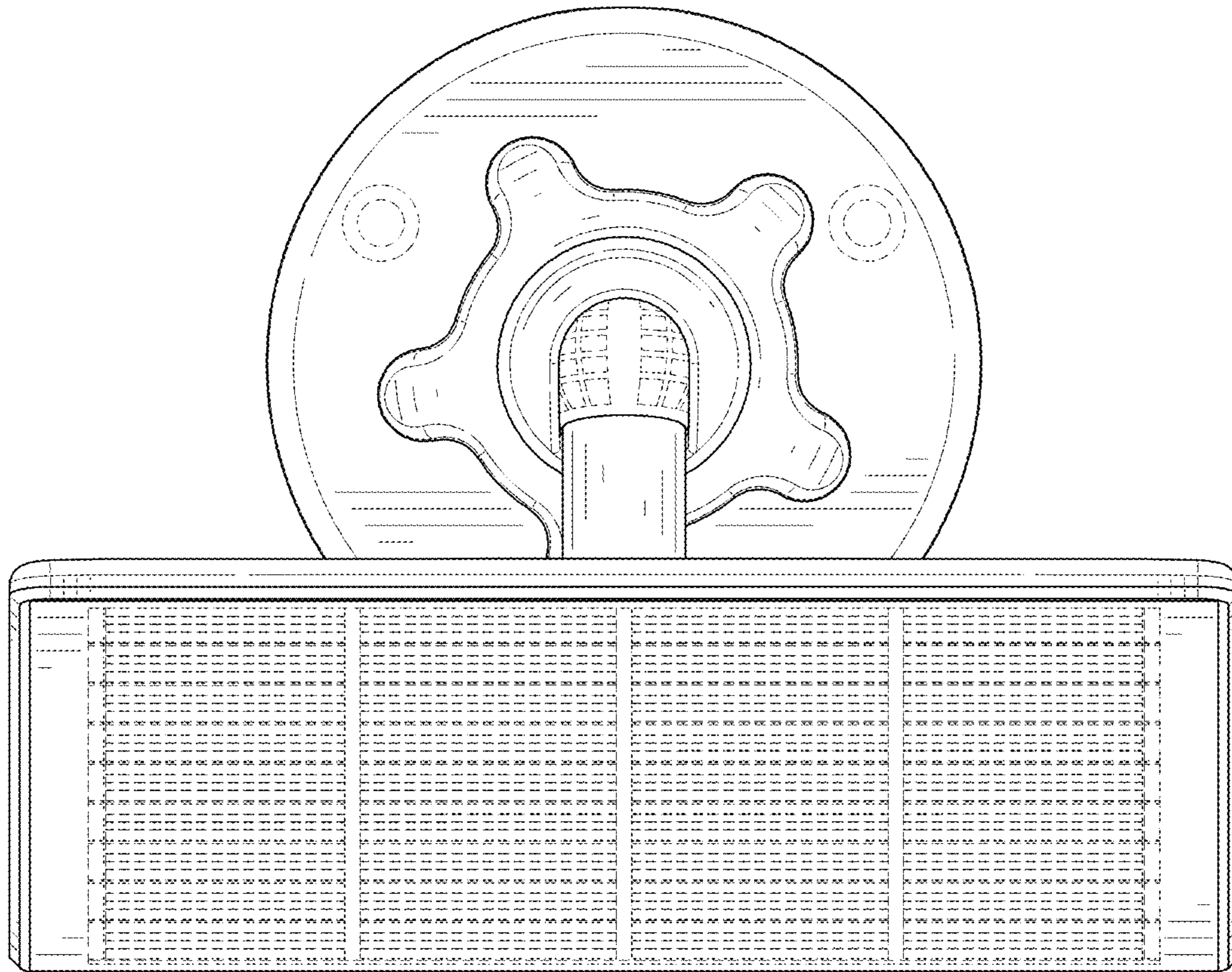


FIG. 7

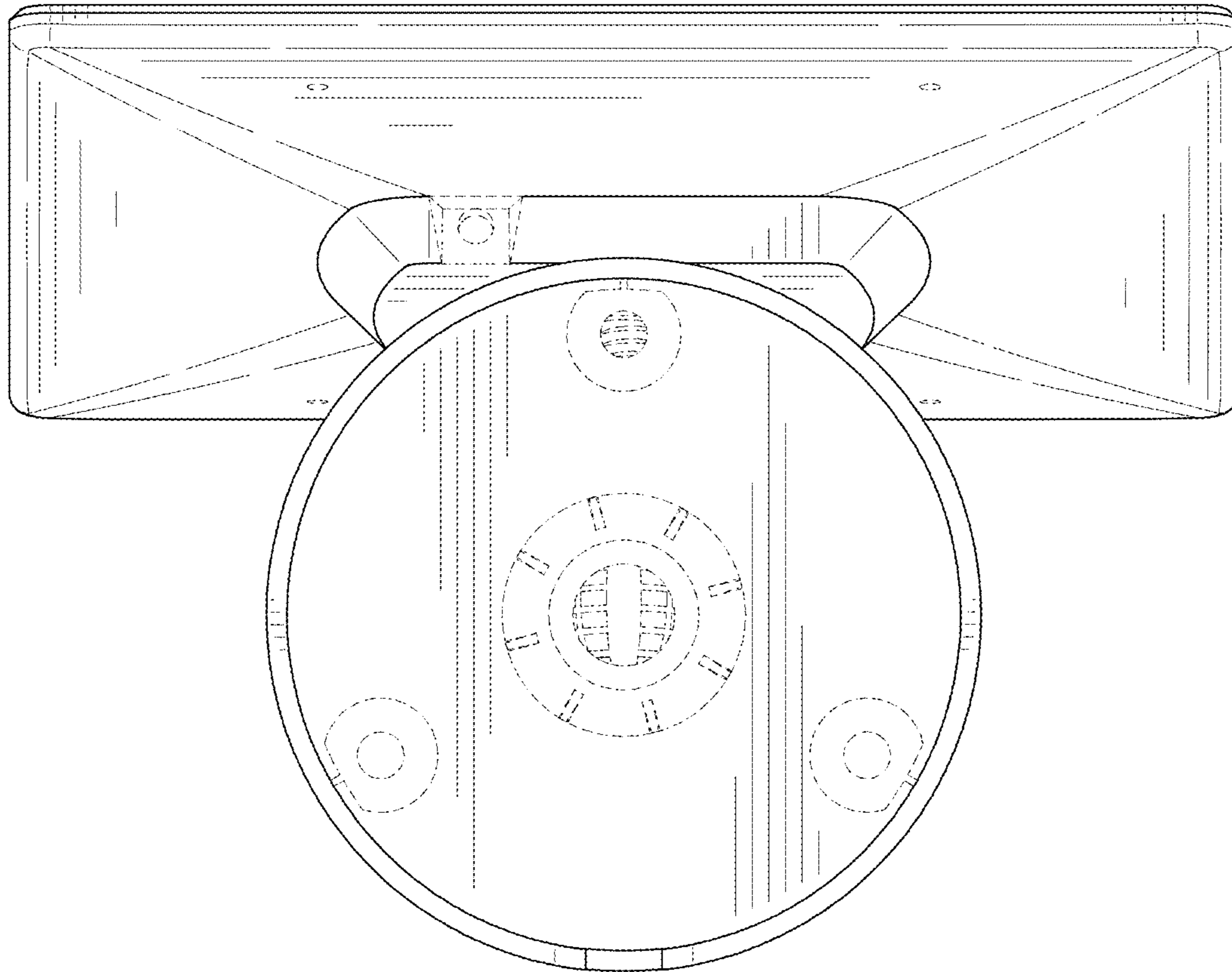


FIG. 8

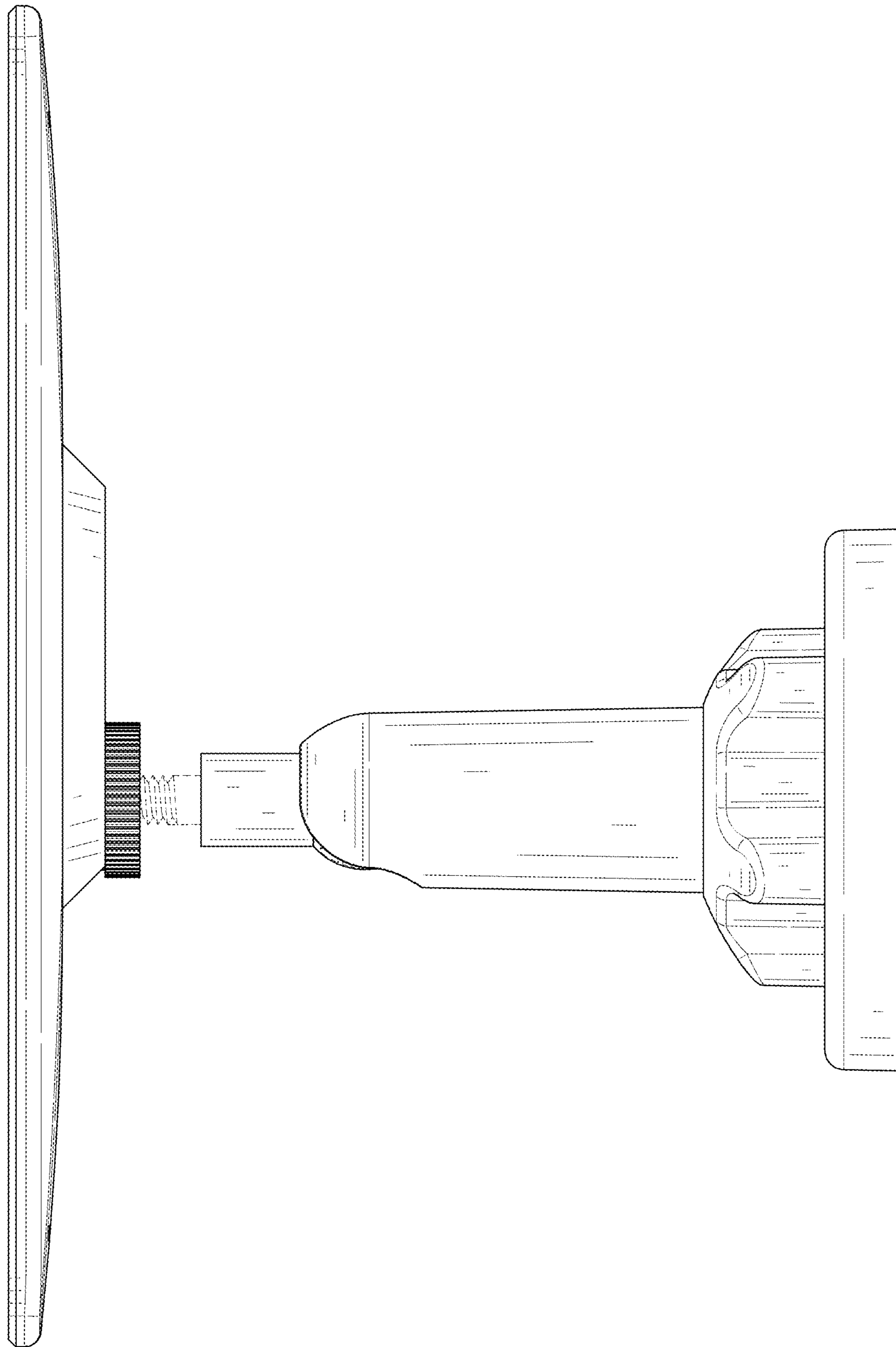


FIG. 9

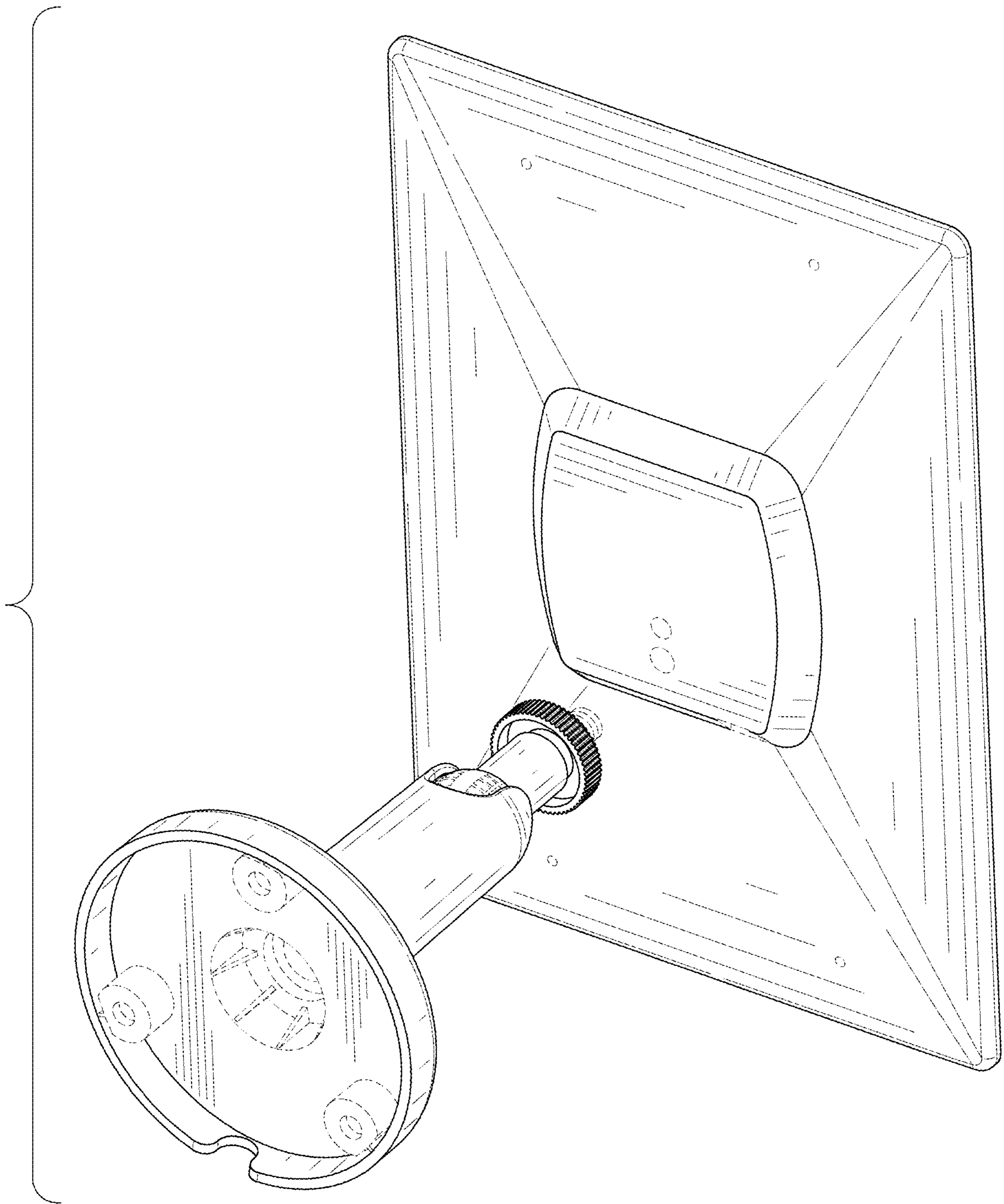


FIG. 10

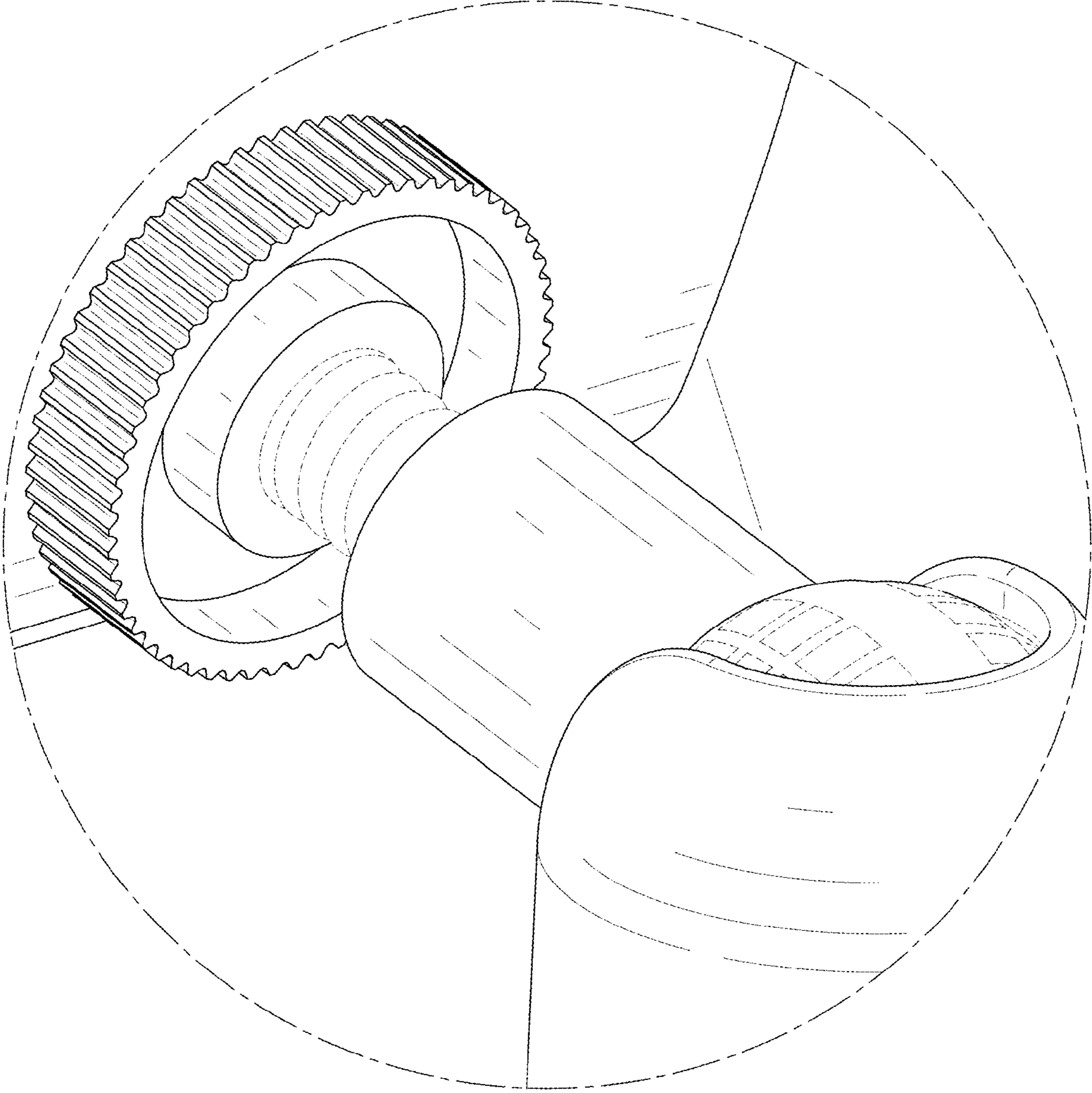


FIG. 11