



US00D940058S

(12) **United States Design Patent** (10) **Patent No.:** **US D940,058 S**
Prithviraj et al. (45) **Date of Patent:** **** Jan. 4, 2022**

(54) **TIRE**

(71) Applicant: **Apollo Tyres Global R&D B.V.**,
Enschede (NL)
(72) Inventors: **Peedikakkandy Prithviraj**, Kerala
(IN); **Elangovan Vijayaraj**, Tamil Nadu
(IN); **Lawrence Paranilam Vikas**,
Kerala (IN)
(73) Assignee: **Apollo Tyres Global R&D B.V.**,
Enschede (NL)

(**) Term: **15 Years**

(21) Appl. No.: **29/729,700**

(22) Filed: **Mar. 30, 2020**

(51) **LOC (13) Cl.** **12-15**

(52) **U.S. Cl.**
USPC **D12/535**

(58) **Field of Classification Search**
USPC D12/534-536
See application file for complete search history.

(56) **References Cited**

U.S. PATENT DOCUMENTS

D696,624 S * 12/2013 Nakagawa D12/534
D754,057 S * 4/2016 Pisarzewicz D12/536
D894,100 S * 8/2020 Kuhlmann D12/535

* cited by examiner

Primary Examiner — George D. Kirschbaum
(74) *Attorney, Agent, or Firm* — Renner, Otto, Boisselle
& Sklar, LLP

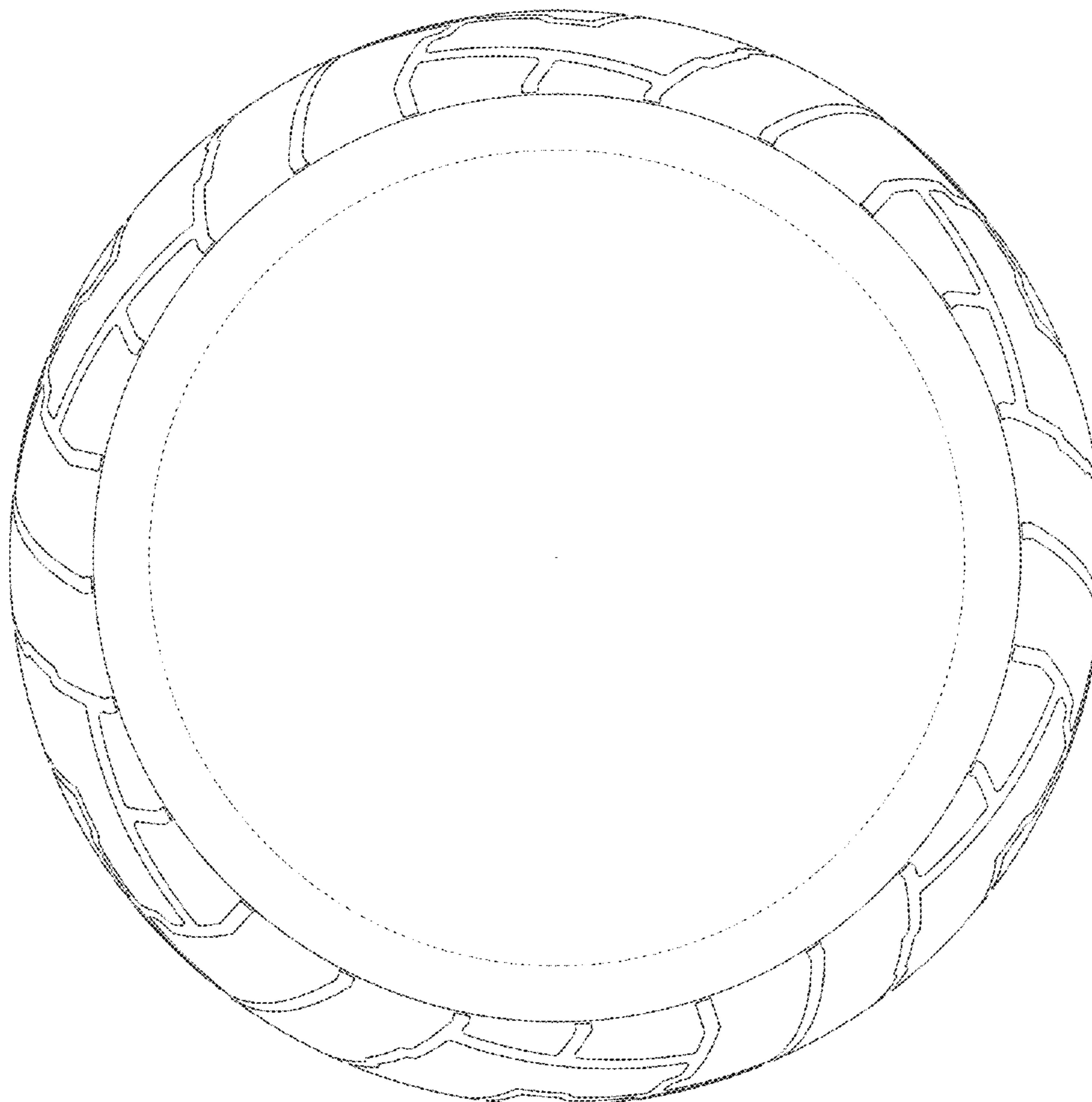
(57) **CLAIM**

The ornamental design for a tire, as shown and described.

DESCRIPTION

FIG. 1 is a front elevation view of a tire showing our new design, the rear elevation view being identical thereto; FIG. 2 is a left side elevation view thereof; FIG. 3 is a right side elevation view thereof; FIG. 4 is a front, right perspective view thereof; and, FIG. 5 is an enlarged partial front elevation view thereof. The broken line showing is for the purpose of illustrating unclaimed portions of the tire and forms no part of the claimed design.

1 Claim, 5 Drawing Sheets



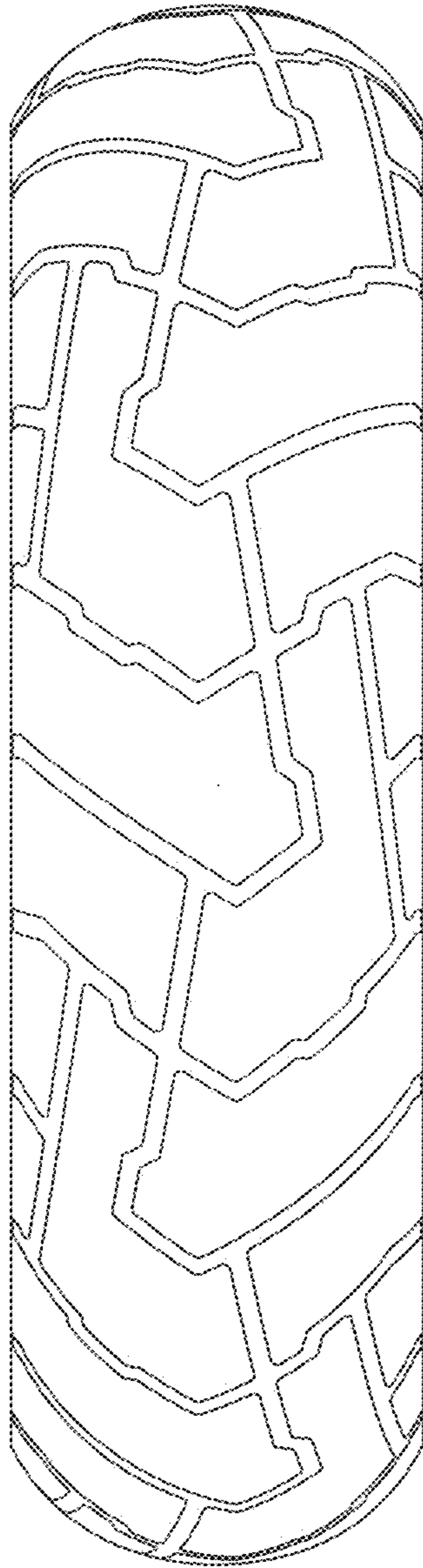


FIG. 1

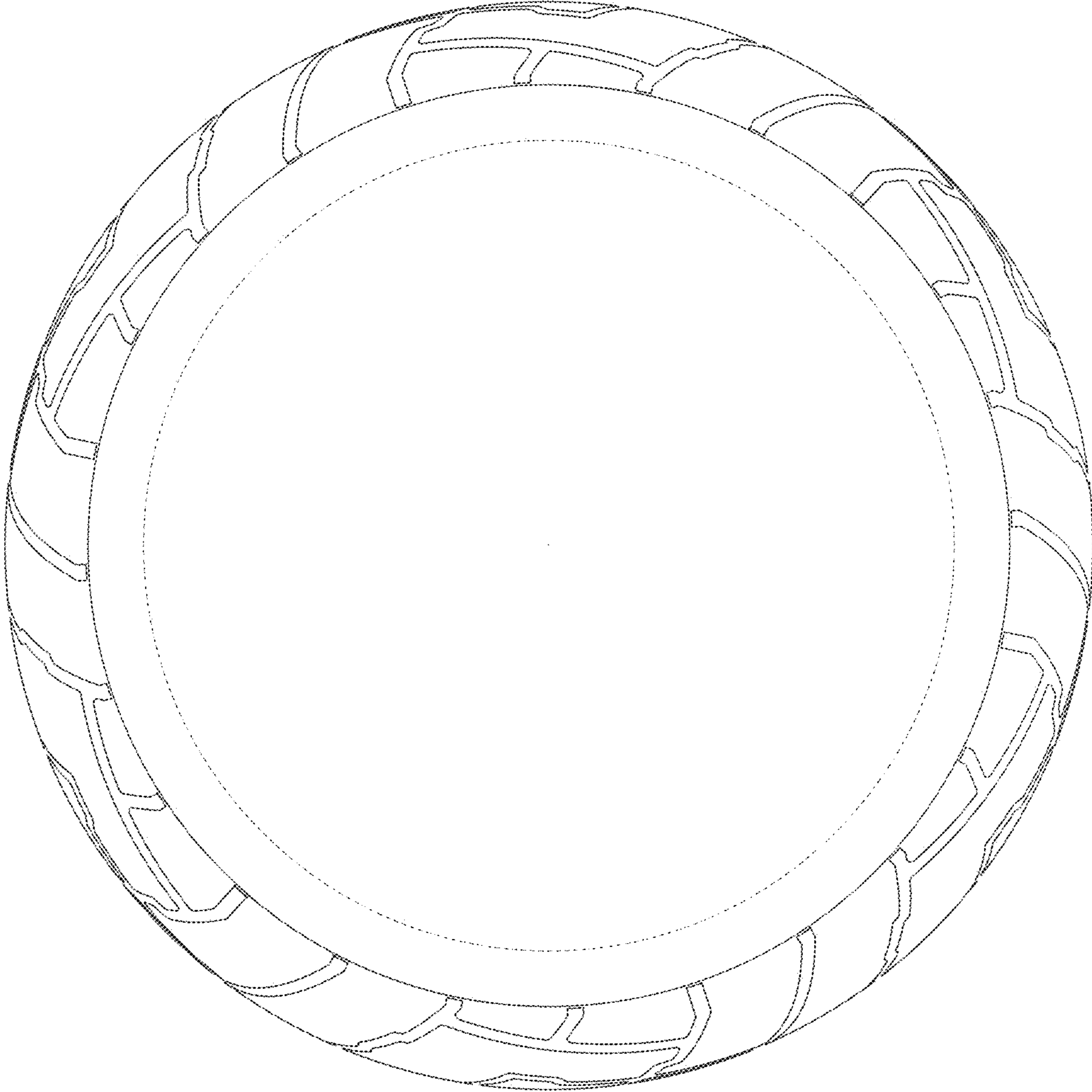


FIG. 2

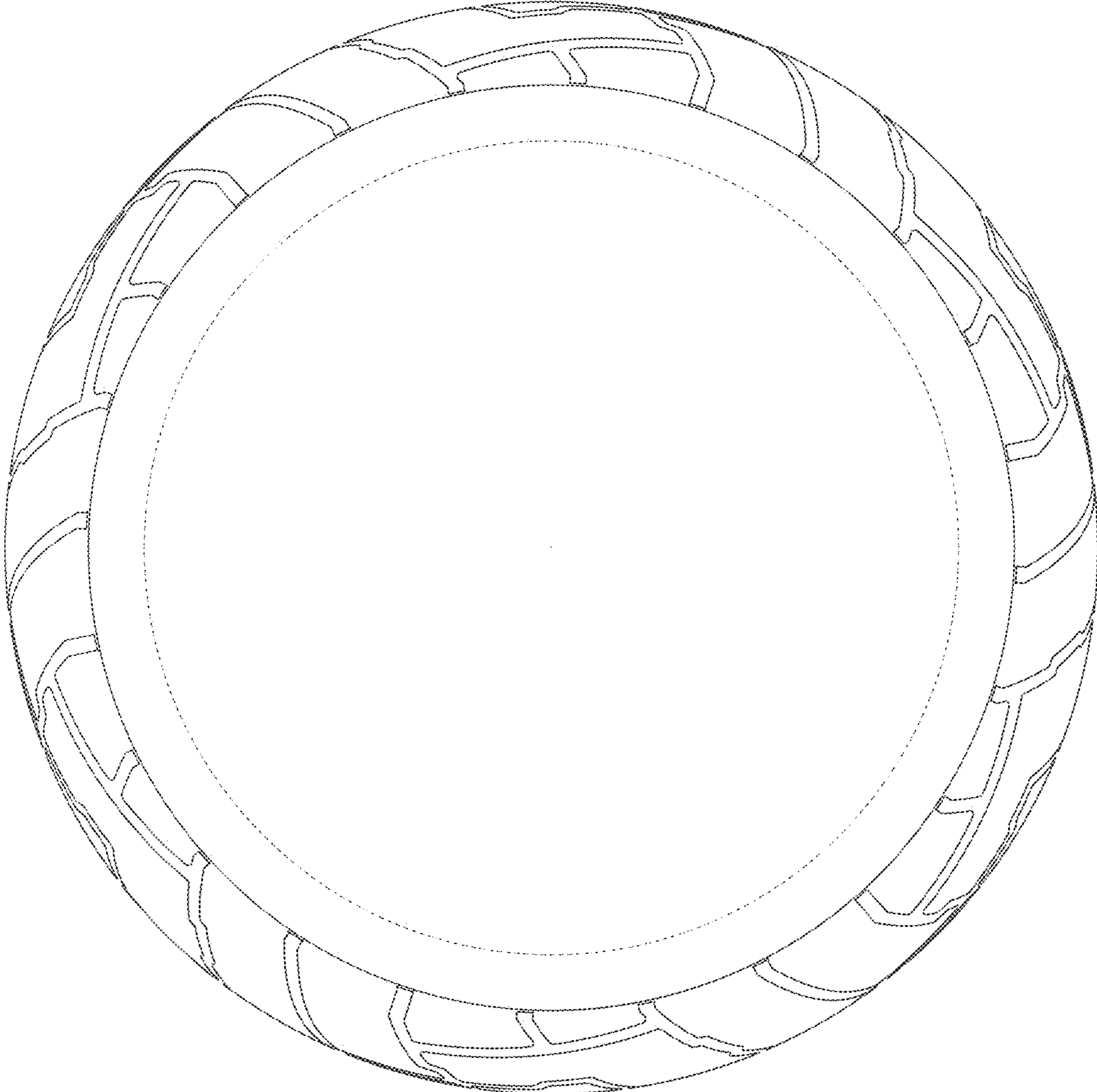


FIG. 3

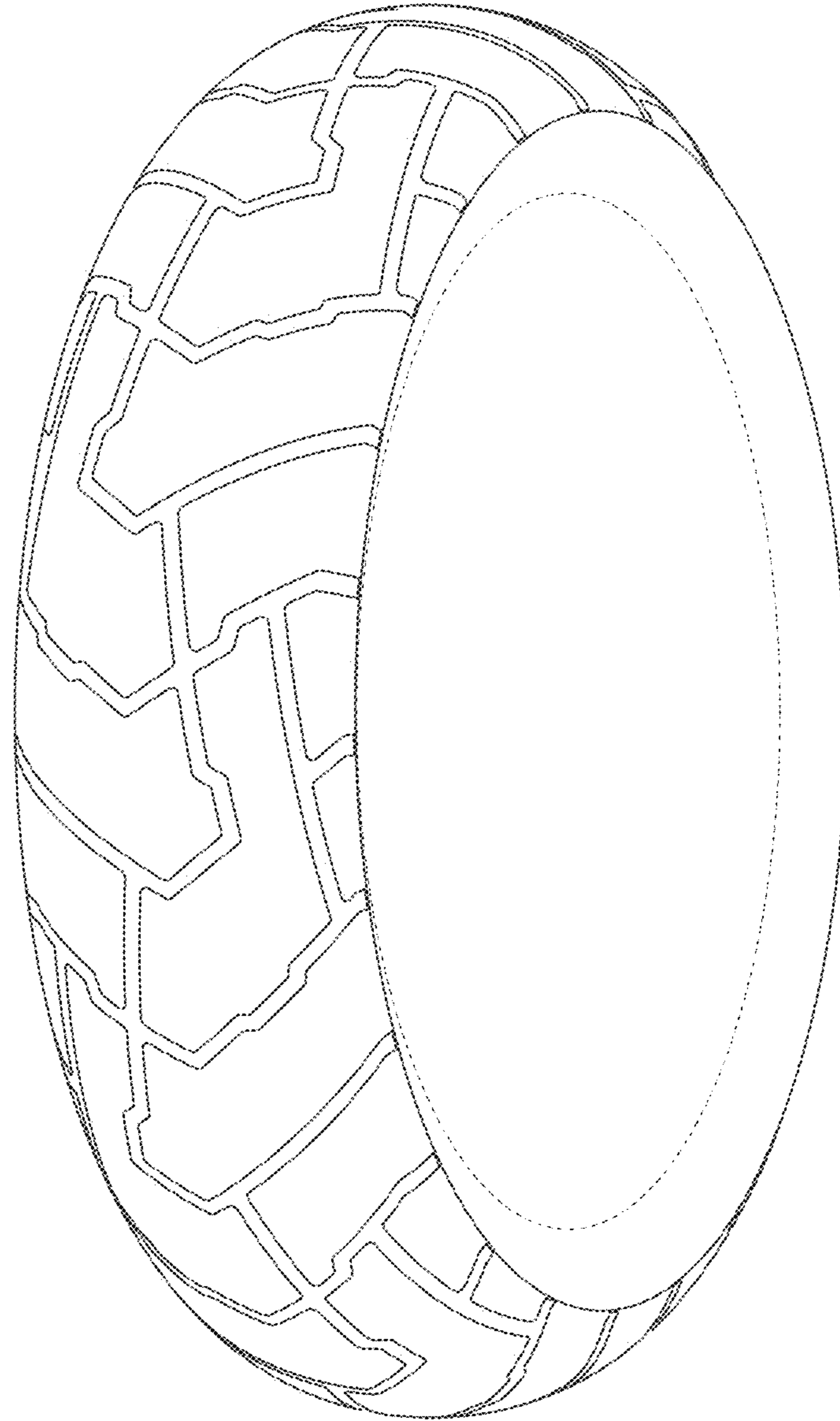


FIG. 4

FIG. 5

