



US00D940049S

(12) **United States Design Patent**
Lucca

(10) **Patent No.:** **US D940,049 S**
(45) **Date of Patent:** **** Jan. 4, 2022**

- (54) **VEHICLE SEAT POCKET ORGANIZER ASSEMBLY**
- (71) Applicant: **Jeremy F. Lucca**, Suffern, NY (US)
- (72) Inventor: **Jeremy F. Lucca**, Suffern, NY (US)
- (**) Term: **15 Years**
- (21) Appl. No.: **29/745,012**
- (22) Filed: **Aug. 3, 2020**
- (51) **LOC (13) Cl.** **12-16**
- (52) **U.S. Cl.**
USPC **D12/416**
- (58) **Field of Classification Search**
USPC D12/415–419, 423; D7/601–602,
D7/605–607; D6/513, 514, 611, 553,
D6/556, 559; D3/216, 217, 319
(Continued)

(56) **References Cited**

U.S. PATENT DOCUMENTS

- 7,891,733 B1 2/2011 Clarke
 - 8,627,514 B1 1/2014 Scoggins et al.
- (Continued)

OTHER PUBLICATIONS

Car Seat Organizer—Backseat Car Organizer with Touchable Tablet Holder+12 Stora. Product Listing [online]. Copyright © 1995-2020 eBay Inc. [retrieved on Dec. 31, 2019]. Retrieved from the Internet: <URL: <https://www.ebay.com/124037943308?chn=ps>>.

(Continued)

Primary Examiner — Katrina A Betton
(74) *Attorney, Agent, or Firm* — Cramer Patent & Design, PLLC; Aaron R. Cramer

(57) **CLAIM**

The ornamental design for a vehicle seat pocket organizer assembly, as shown and described.

DESCRIPTION

FIG. 1 is a perspective top front right view of a vehicle seat pocket organizer assembly, including a case element, a pair

of auxiliary case elements, a first insert element, and a second insert element, showing my new design;
FIG. 2 is a perspective top front right view of the case element;
FIG. 3 is a perspective top rear left view of the case element;
FIG. 4 is a front elevation view of the case element;
FIG. 5 is a rear elevation view of the case element;
FIG. 6 is a left elevation view of the case element;
FIG. 7 is a right elevation view of the case element;
FIG. 8 is a top plan view of the case element;
FIG. 9 is a bottom plan view of the case element;
FIG. 10 is a perspective top front right view of an individual auxiliary case element;
FIG. 11 is a perspective top rear left view of an individual auxiliary case element;
FIG. 12 is a front elevation view of an individual auxiliary case element;
FIG. 13 is a rear elevation view of an individual auxiliary case element;
FIG. 14 is a left elevation view of an individual auxiliary case element;
FIG. 15 is a right elevation view of an individual auxiliary case element;
FIG. 16 is a top plan view of an individual auxiliary case element;
FIG. 17 is a bottom plan view of an individual auxiliary case element;
FIG. 18 is a perspective top front right view of the first insert element;
FIG. 19 is a perspective top rear left view of the first insert element;
FIG. 20 is a front elevation view of the first insert element;
FIG. 21 is a rear elevation view of the first insert element;
FIG. 22 is a left elevation view of the first insert element;
FIG. 23 is a right elevation view of the first insert element;
FIG. 24 is a top plan view of the first insert element;
FIG. 25 is a bottom plan view of the first insert element;
FIG. 26 is a perspective top front right view of the second insert element;
FIG. 27 is a perspective top rear left view of the second insert element;
FIG. 28 is a front elevation view of the second insert element;
FIG. 29 is a rear elevation view of the second insert element;

(Continued)

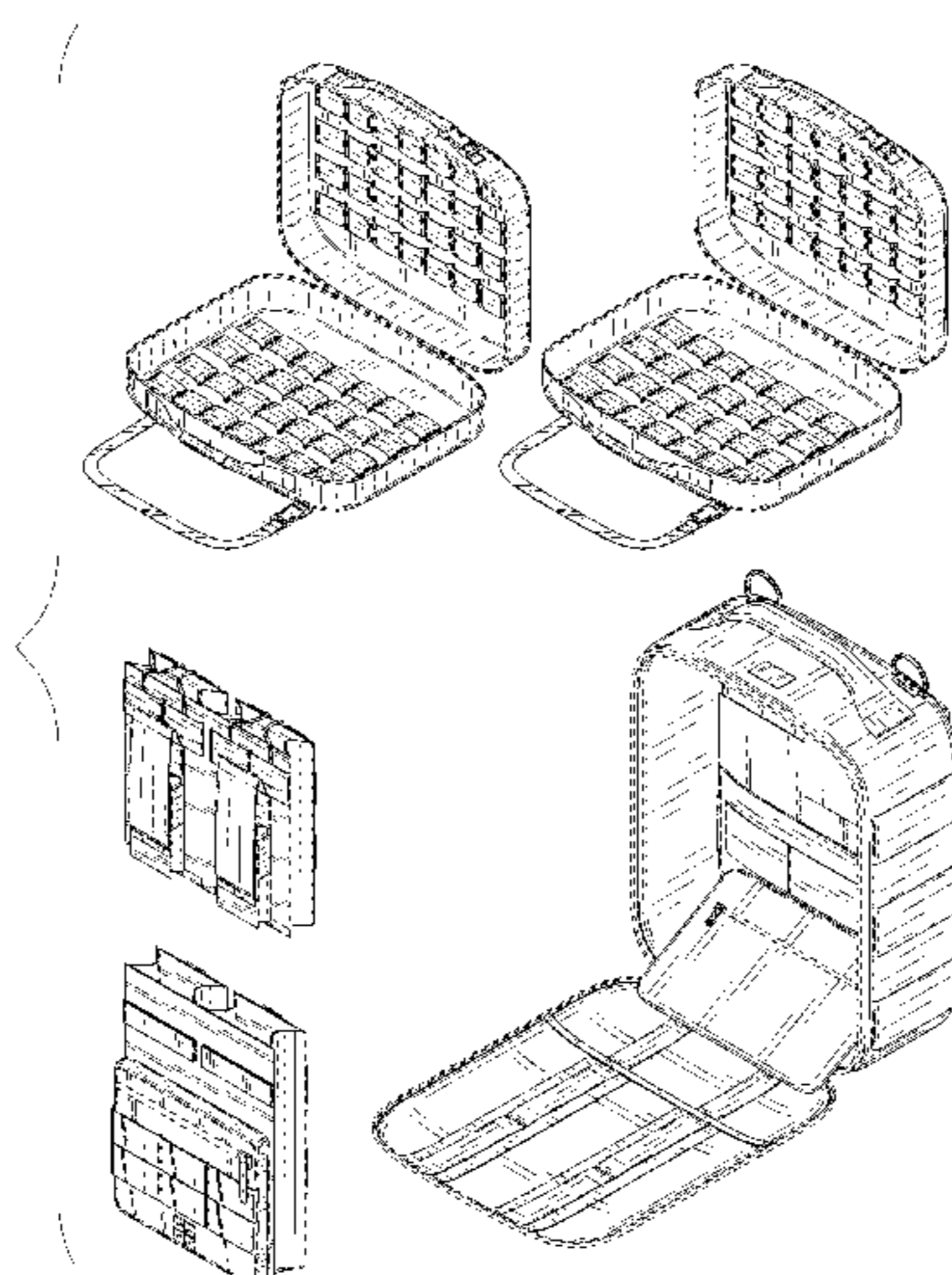


FIG. 30 is a left elevation view of the second insert element; FIG. 31 is a right elevation view of the second insert element; FIG. 32 is a top plan view of the second insert element; and, FIG. 33 is a bottom plan view of the second insert element. The broken lines define the bounds of the claimed design and form no part thereof.

1 Claim, 29 Drawing Sheets

(58) **Field of Classification Search**

CPC .. B60R 7/14; B60R 7/08; B65D 33/00; B64D 11/0636; B60N 3/004
See application file for complete search history.

(56) **References Cited**

U.S. PATENT DOCUMENTS

D795,789	S	*	8/2017	Ehtesham	D12/425
D819,545	S	*	6/2018	O'Connor	D12/416
10,377,315	B2		8/2019	Hellman et al.		
10,486,606	B1		11/2019	Stabile		
D870,456	S	*	12/2019	Xia	D3/301
D874,129	S	*	2/2020	Goldstein	D3/217
D874,145	S	*	2/2020	Itoi	D3/301
D877,044	S	*	3/2020	Currier	D12/416
D879,014	S	*	3/2020	Hartlund	D12/416

D881,793	S	*	4/2020	Huang	D12/416
D911,257	S	*	2/2021	Yarbrough	D12/416
D913,909	S	*	3/2021	Guo	D12/416
D921,356	S	*	6/2021	Cowan	D3/217
D931,186	S	*	9/2021	Ye	D12/415
D931,187	S	*	9/2021	Huang	D12/416

OTHER PUBLICATIONS

JALIELL Car Back Seat Organizer for Kids Car Organizer with 10' Touch Screen Tablet Holder + 9 Storage Pockets Car Back Seat Protector Car Travel Accessories for Toddlers Toys (2 Pack). Product Listing [online]. © 1996-2020, Amazon.com, Inc. [retrieved on Dec. 31, 2019]. Retrieved from the Internet: <URL: <https://www.amazon.com/JALIELL-Organizer-Protector-Accessories-Toddlers/dp/B07QCNP35R>>.

Tactical Car Seat 6000 Nylon Seat Back Organizer. Product Listing [online]. Molle World [retrieved on Dec. 31, 2019]. Retrieved from the Internet: <URL: https://www.molleworld.com/products/tactical-car-seat-600d-nylon-seat-back-organizer?_pos=3&_sid=0cdb76381&_ss=r>.

OneTigris Car Seat Back Organizer, Tactical MOLLE Vehicle Panel Car Seat Cover Protector Universal Fit (Black—14" 22"). Product Listing [online]. © 1996-2020, Amazon.com, Inc. [retrieved on Dec. 31, 2019]. Retrieved from the Internet: <URL: <https://www.amazon.com/OneTigris-Organizer-Tactical-Protector-Universal/dp/B06XT8PQ23?th=1>>.

* cited by examiner

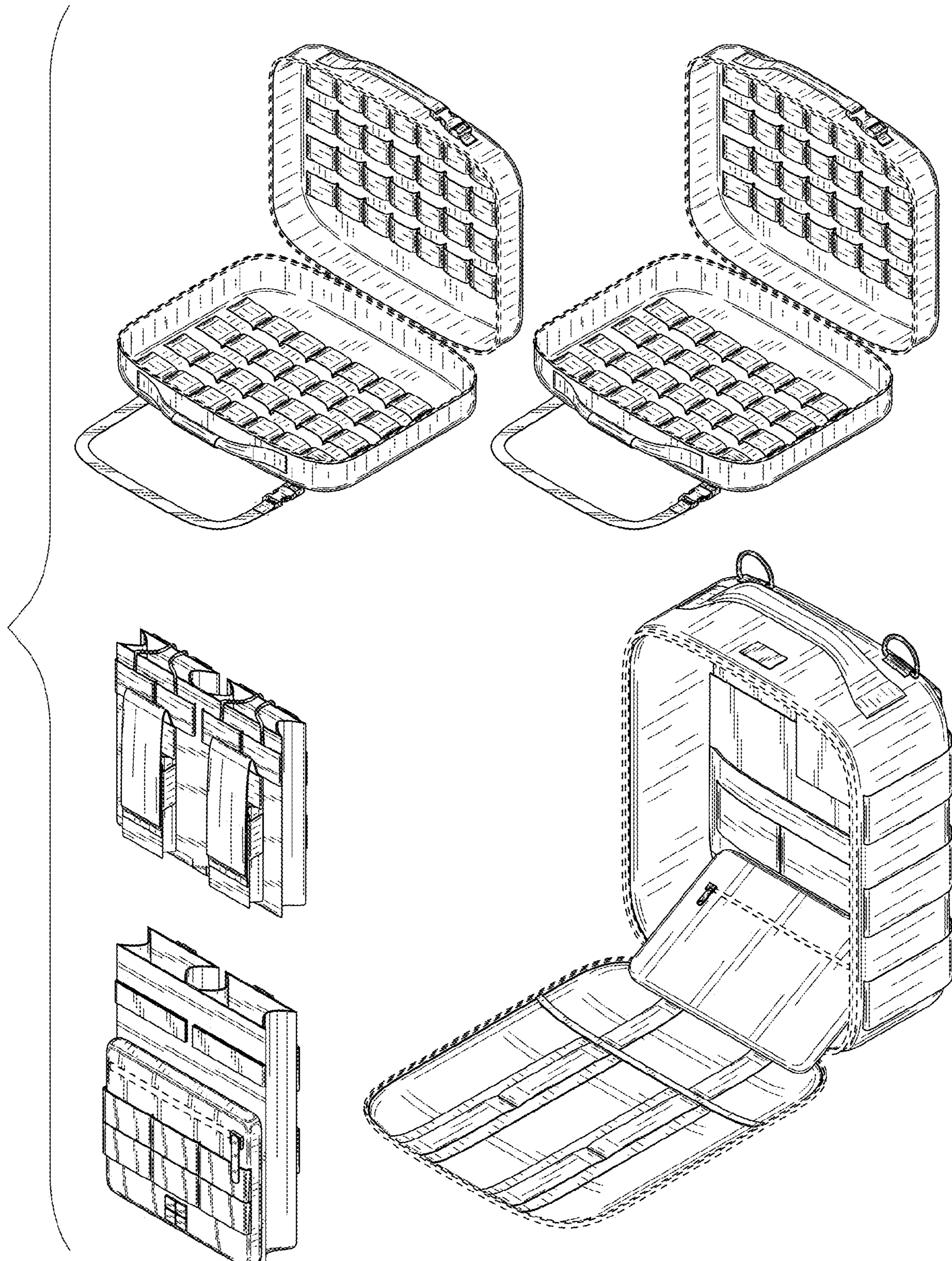


FIG. 1

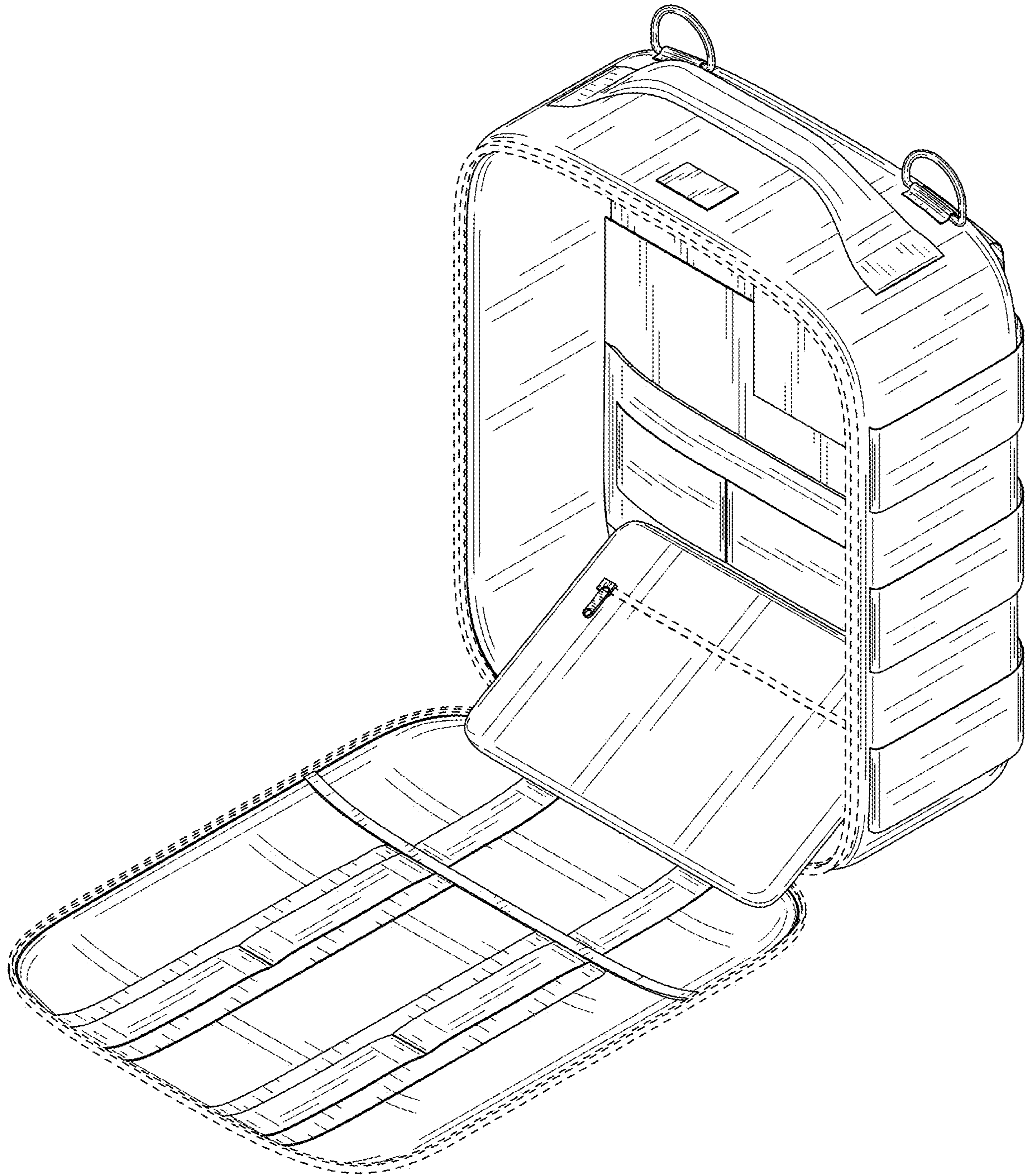


FIG. 2

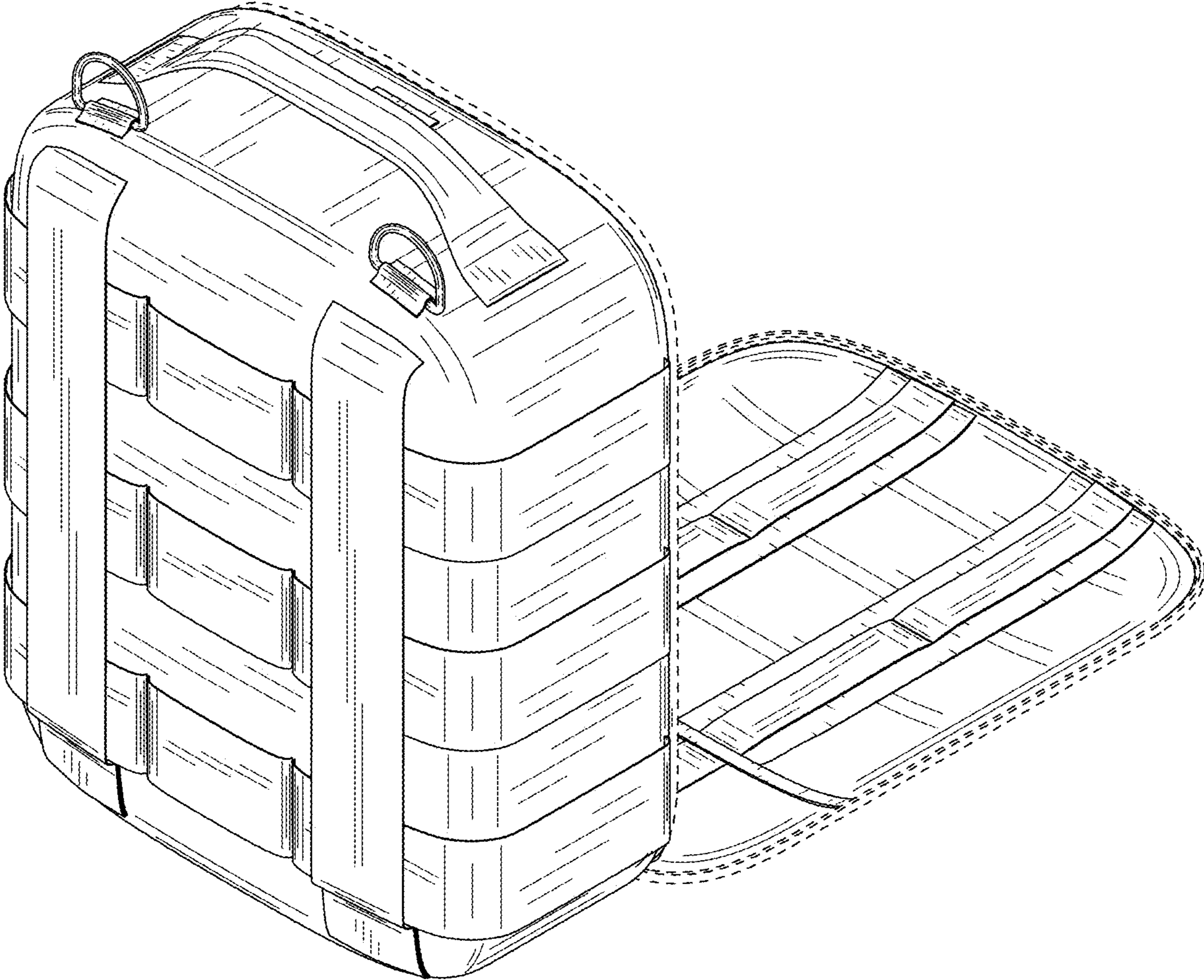


FIG. 3

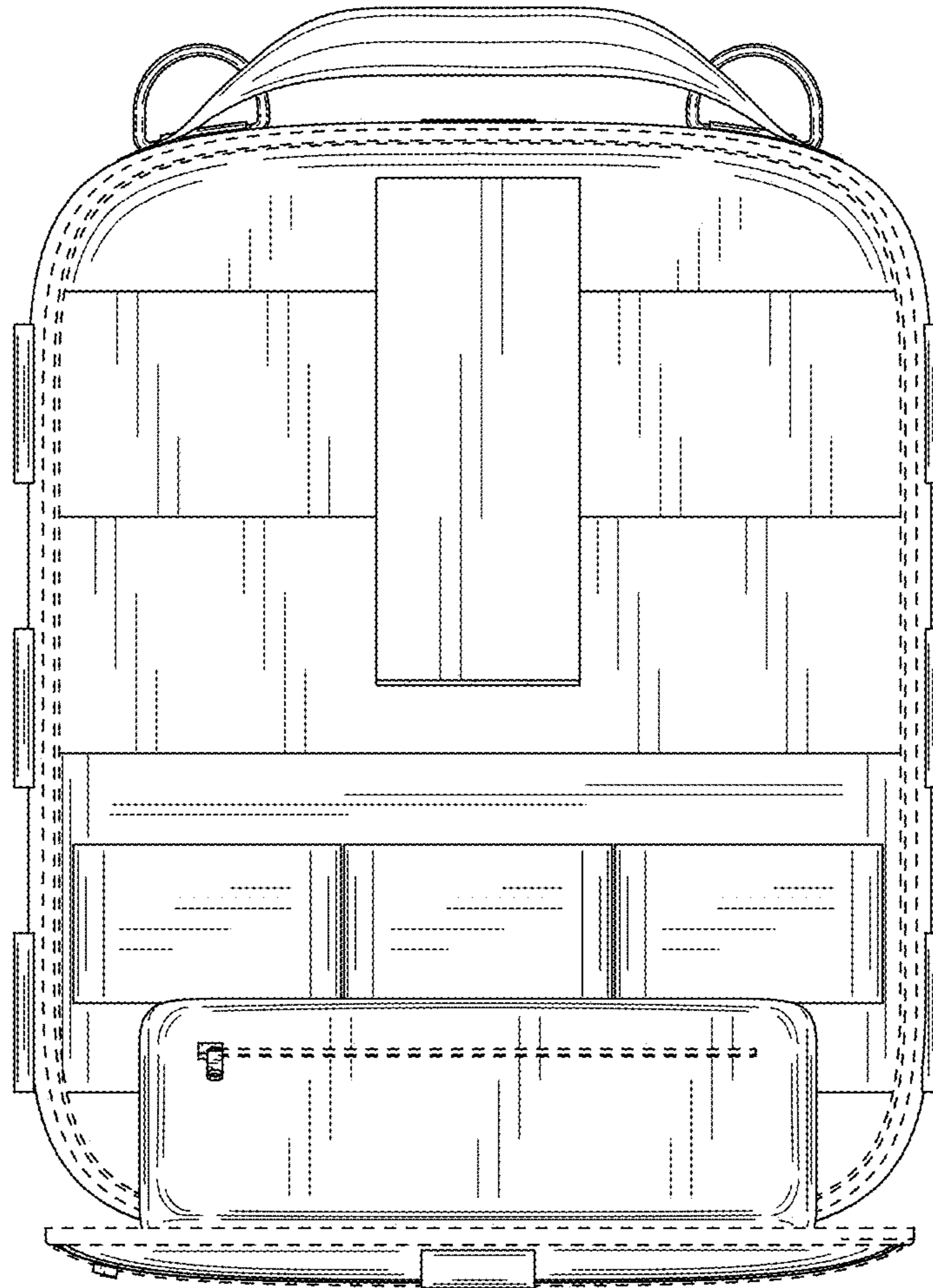


FIG. 4

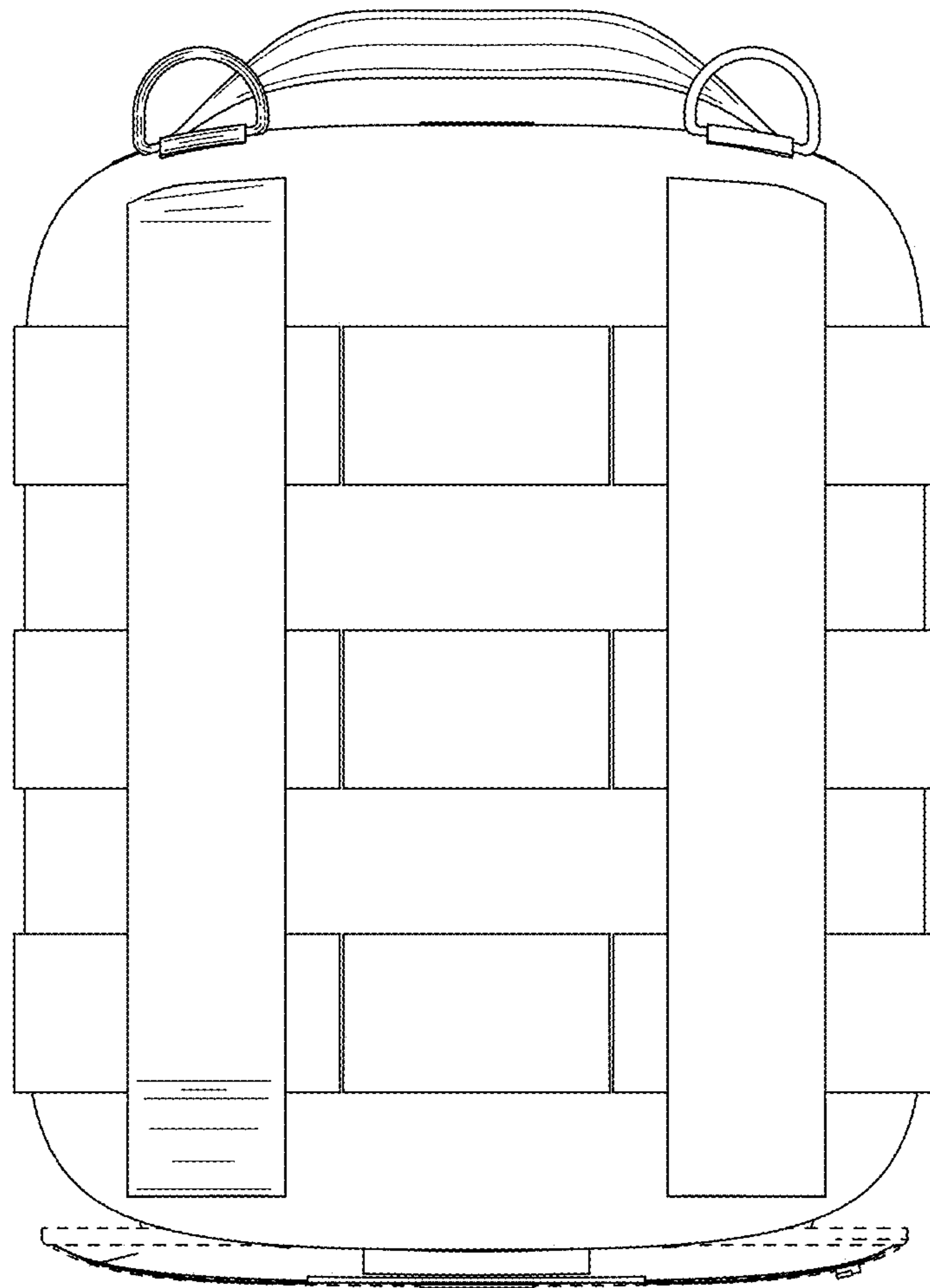


FIG. 5

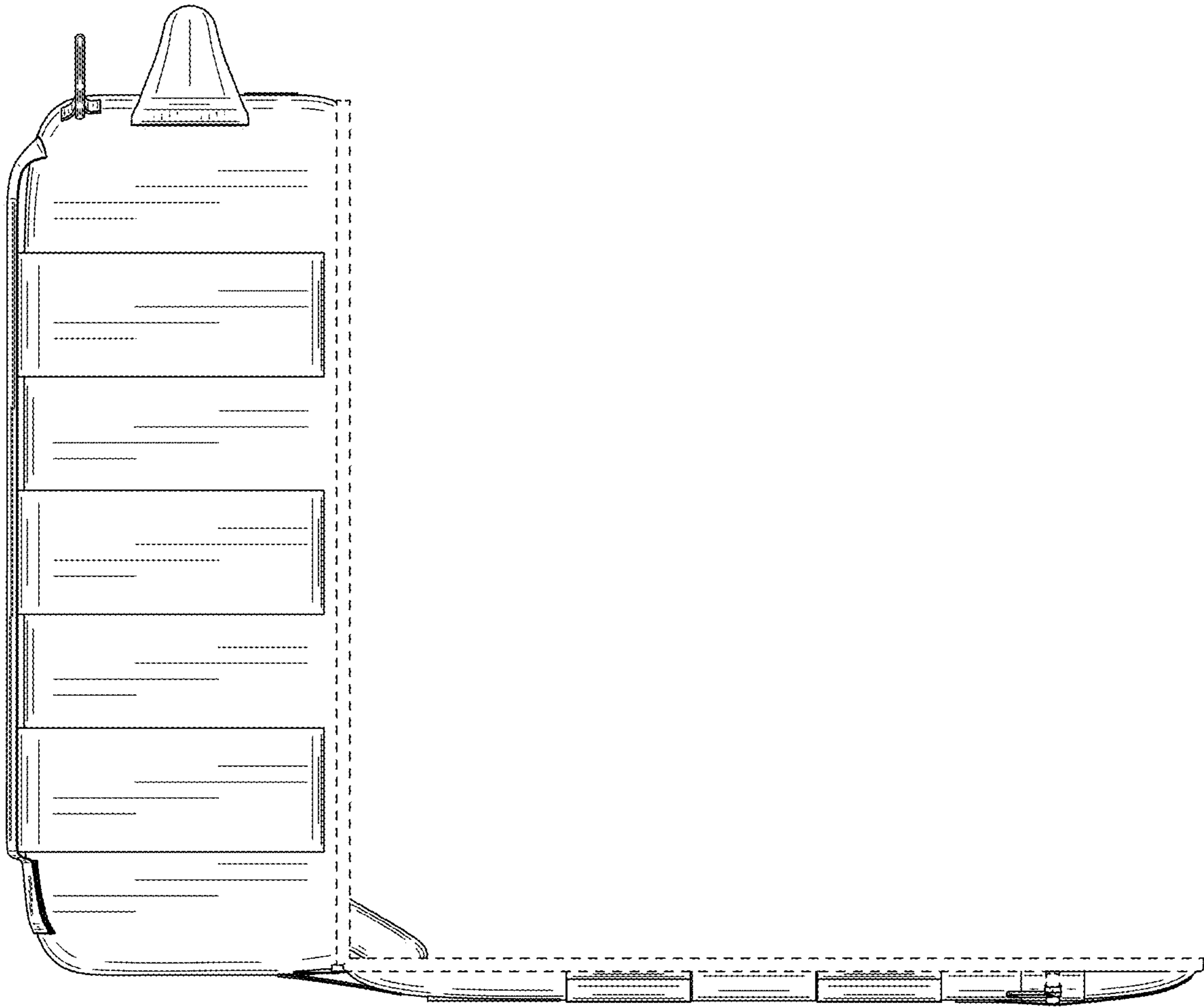


FIG. 6

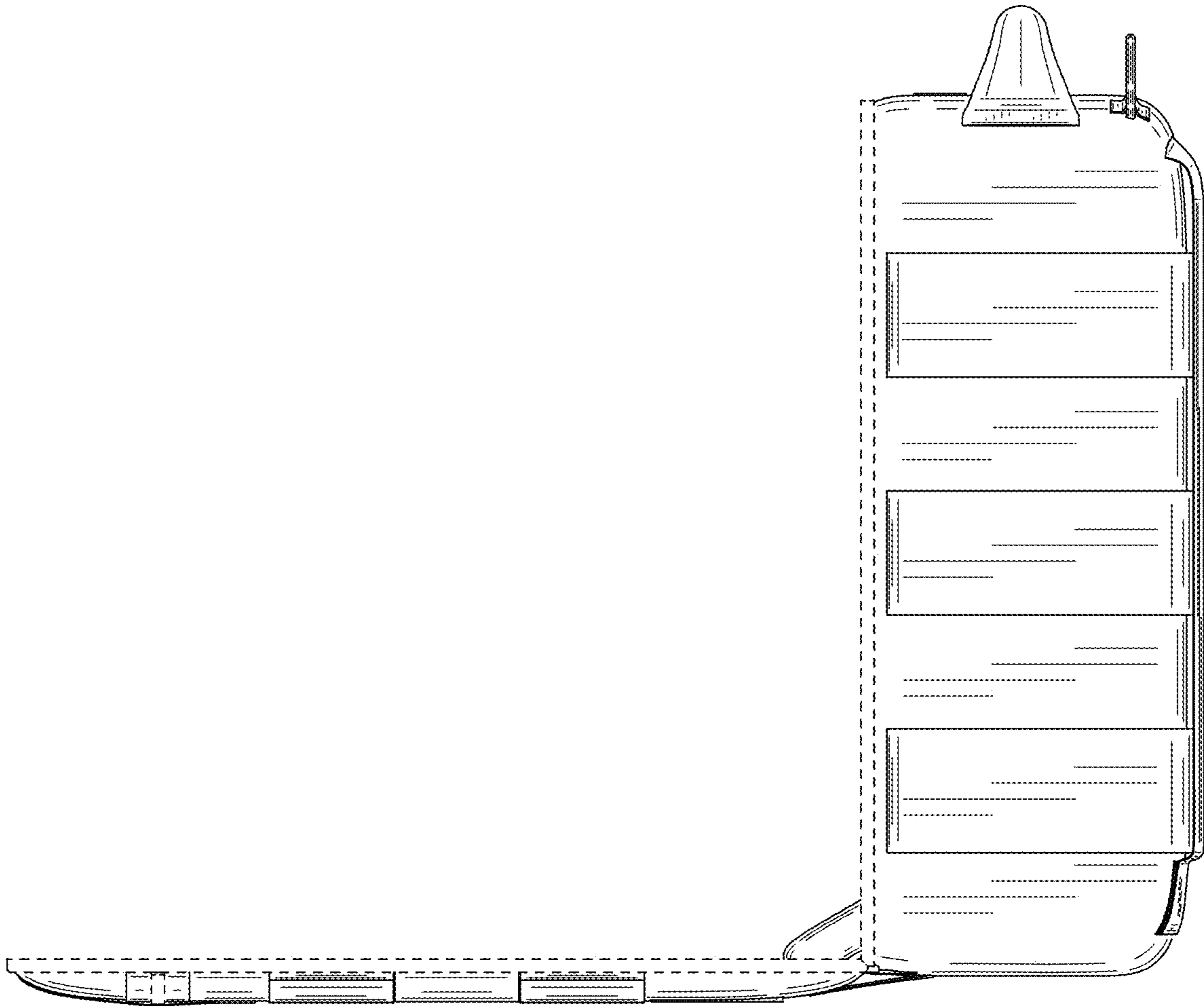


FIG. 7

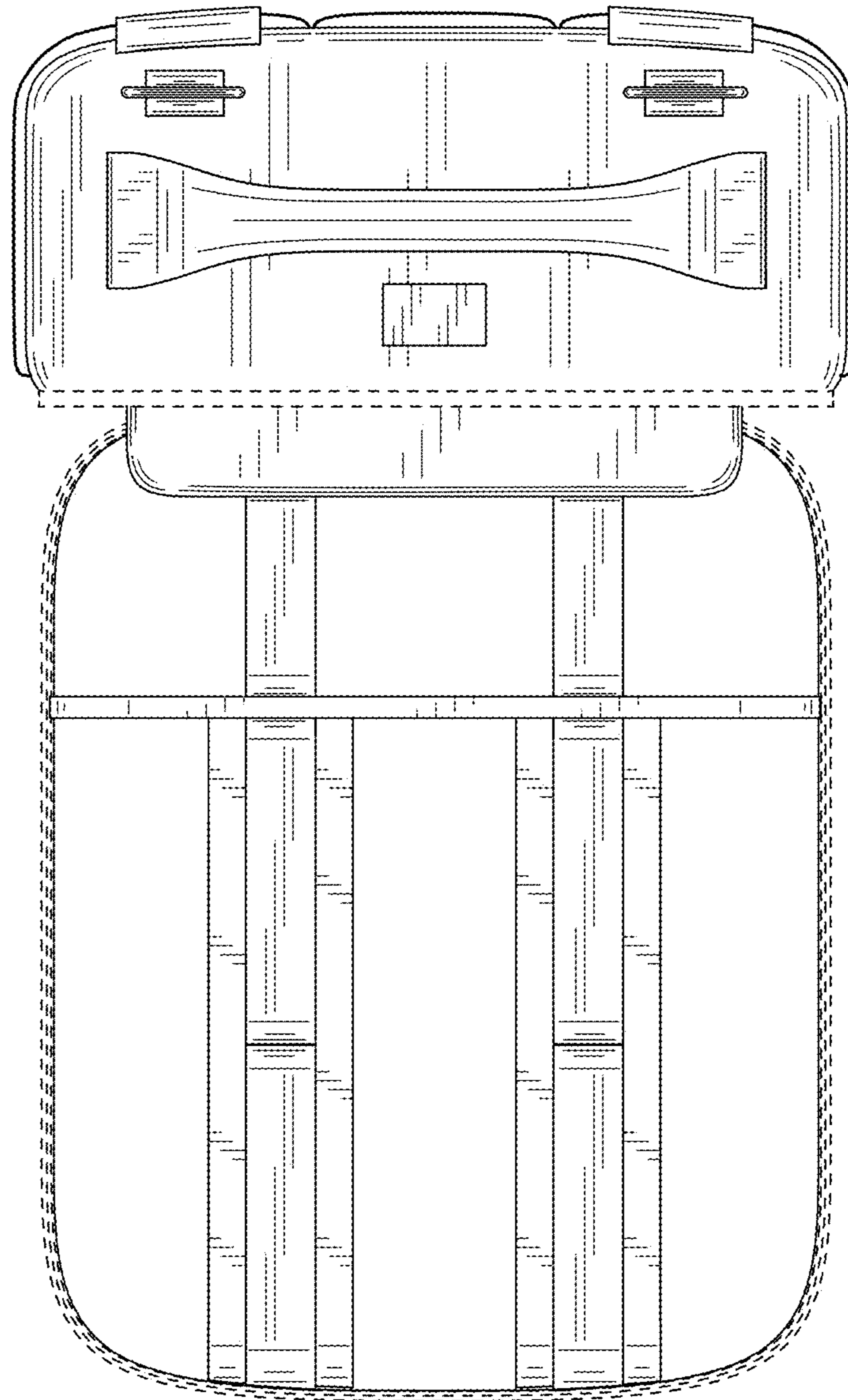


FIG. 8

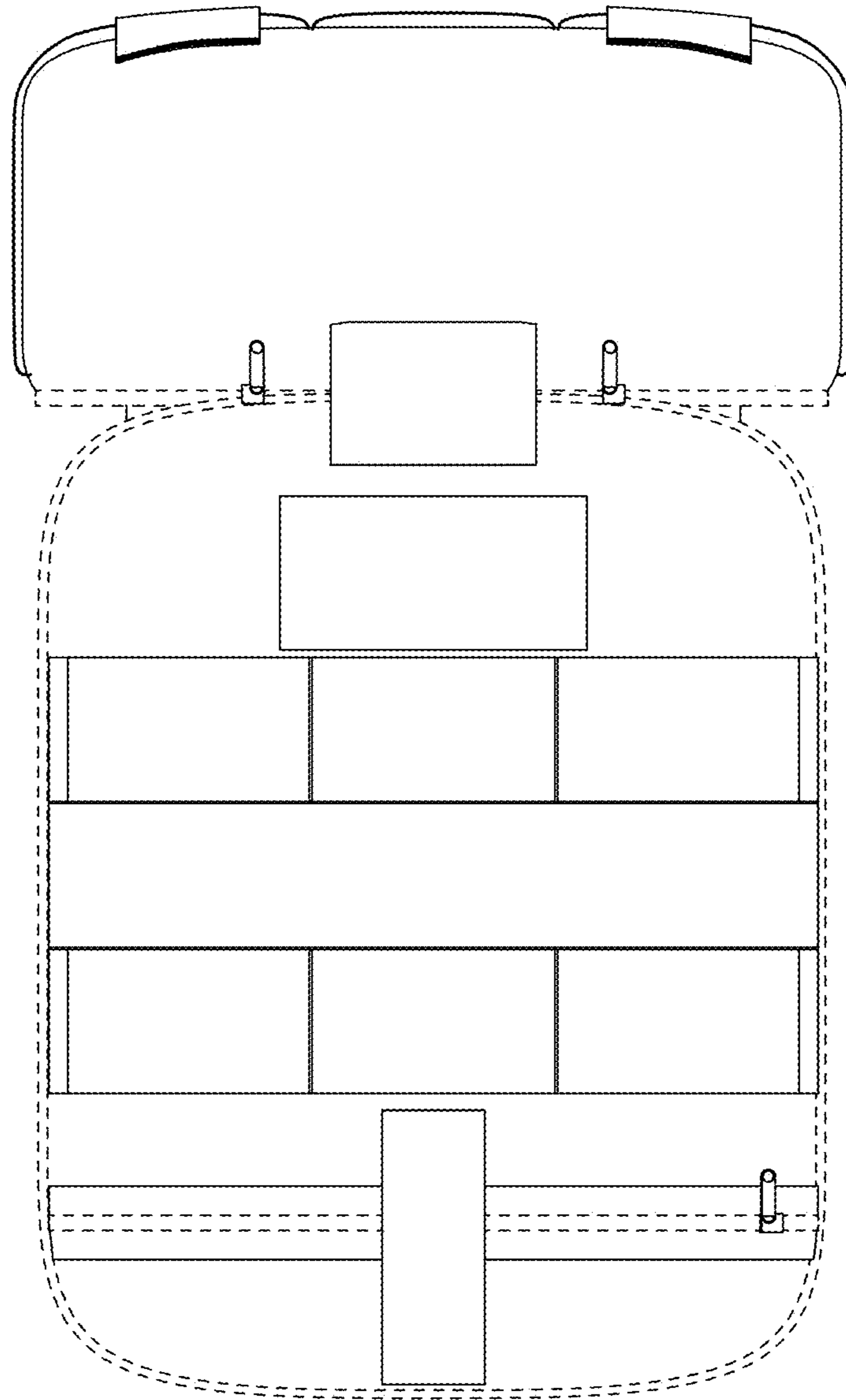


FIG. 9

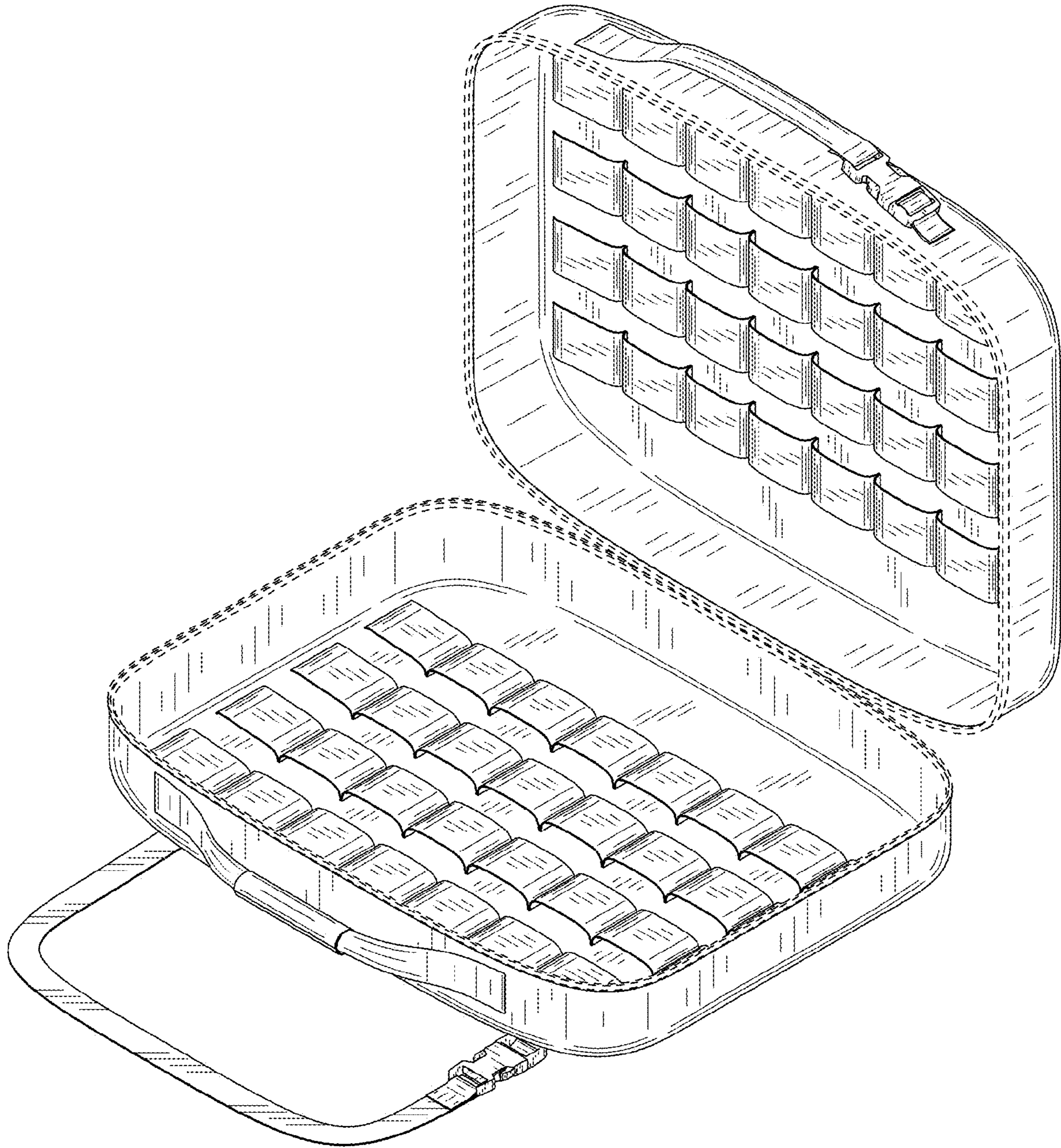


FIG. 10

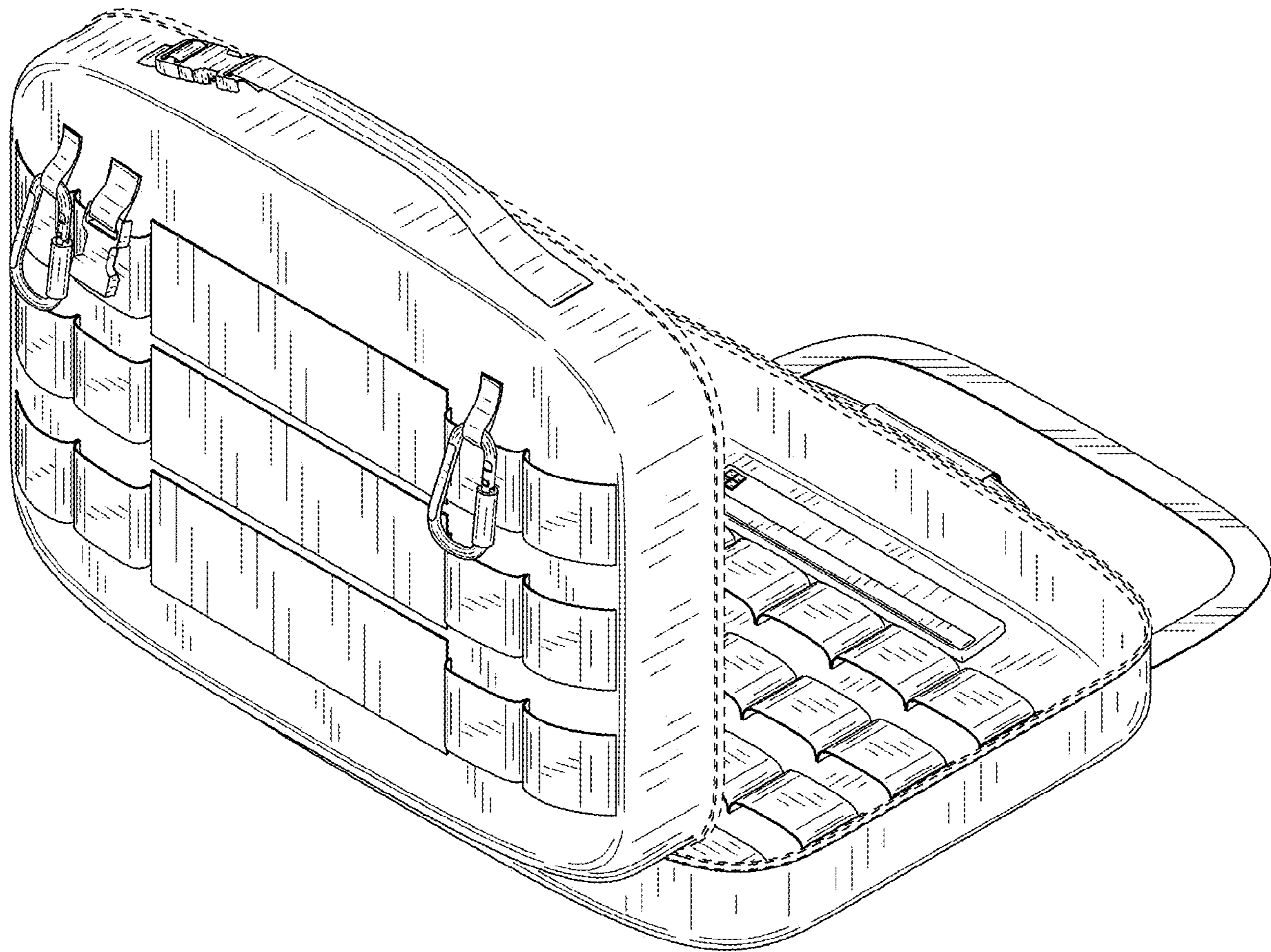


FIG. 11

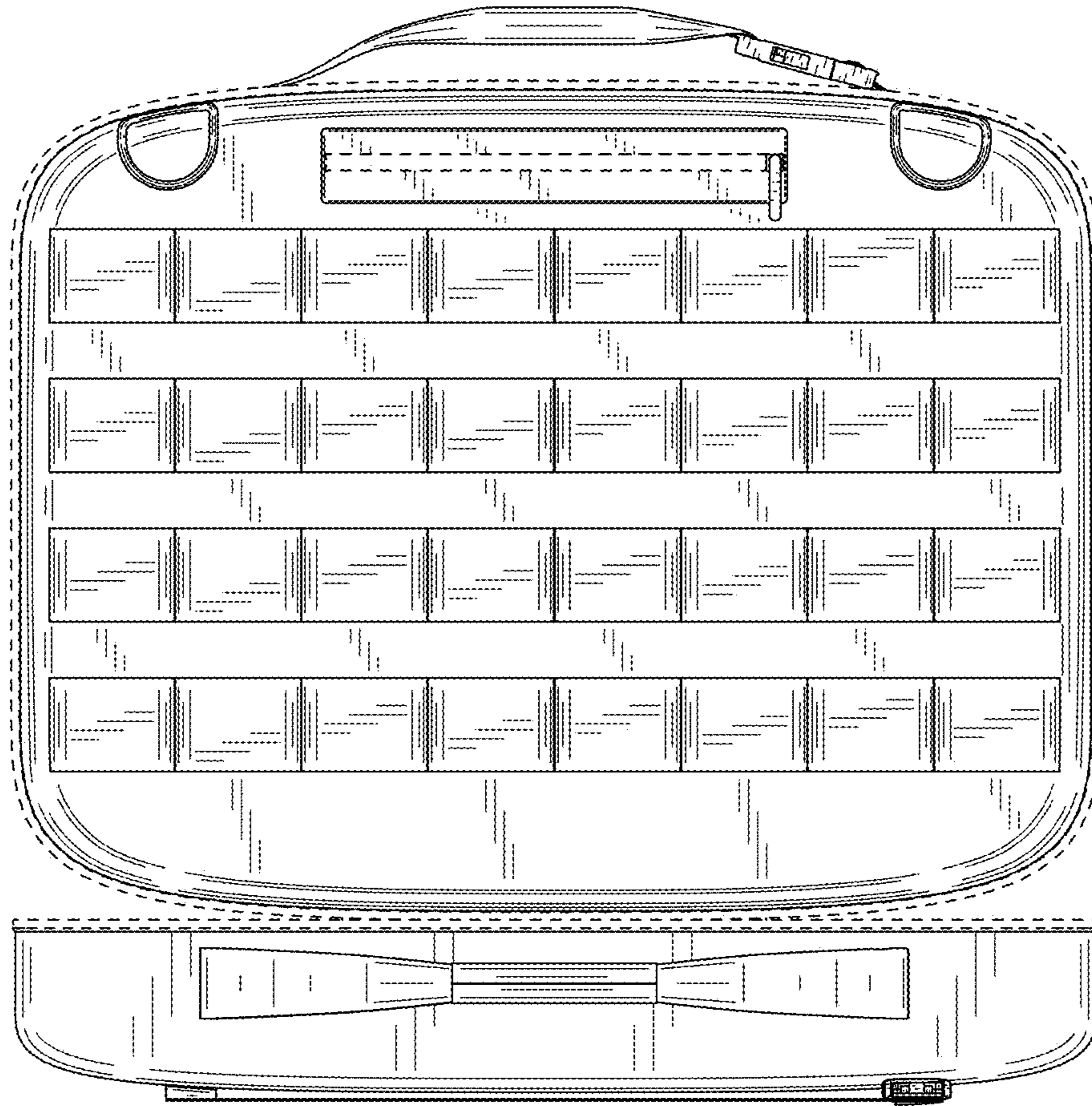


FIG. 12

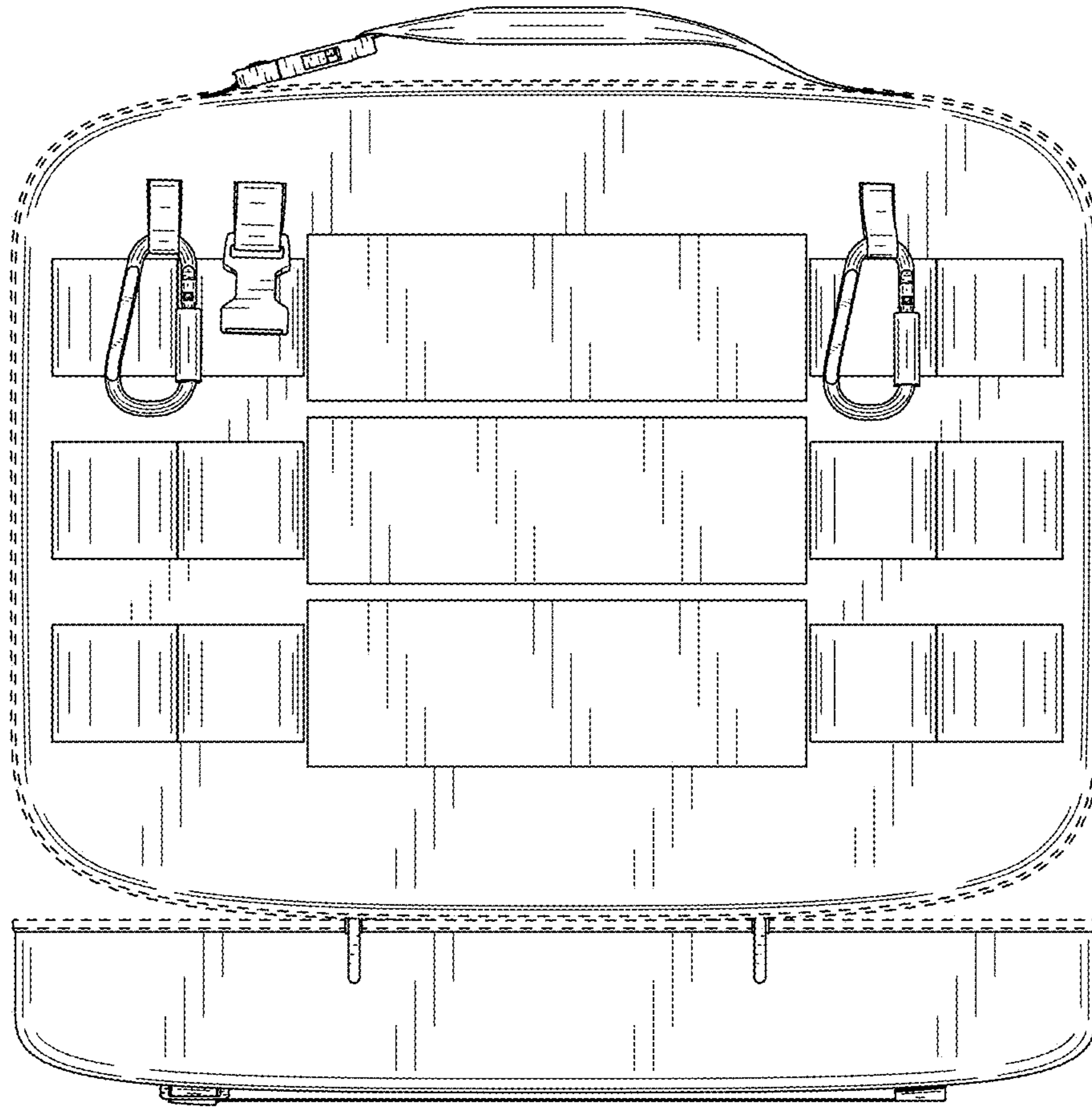


FIG. 13

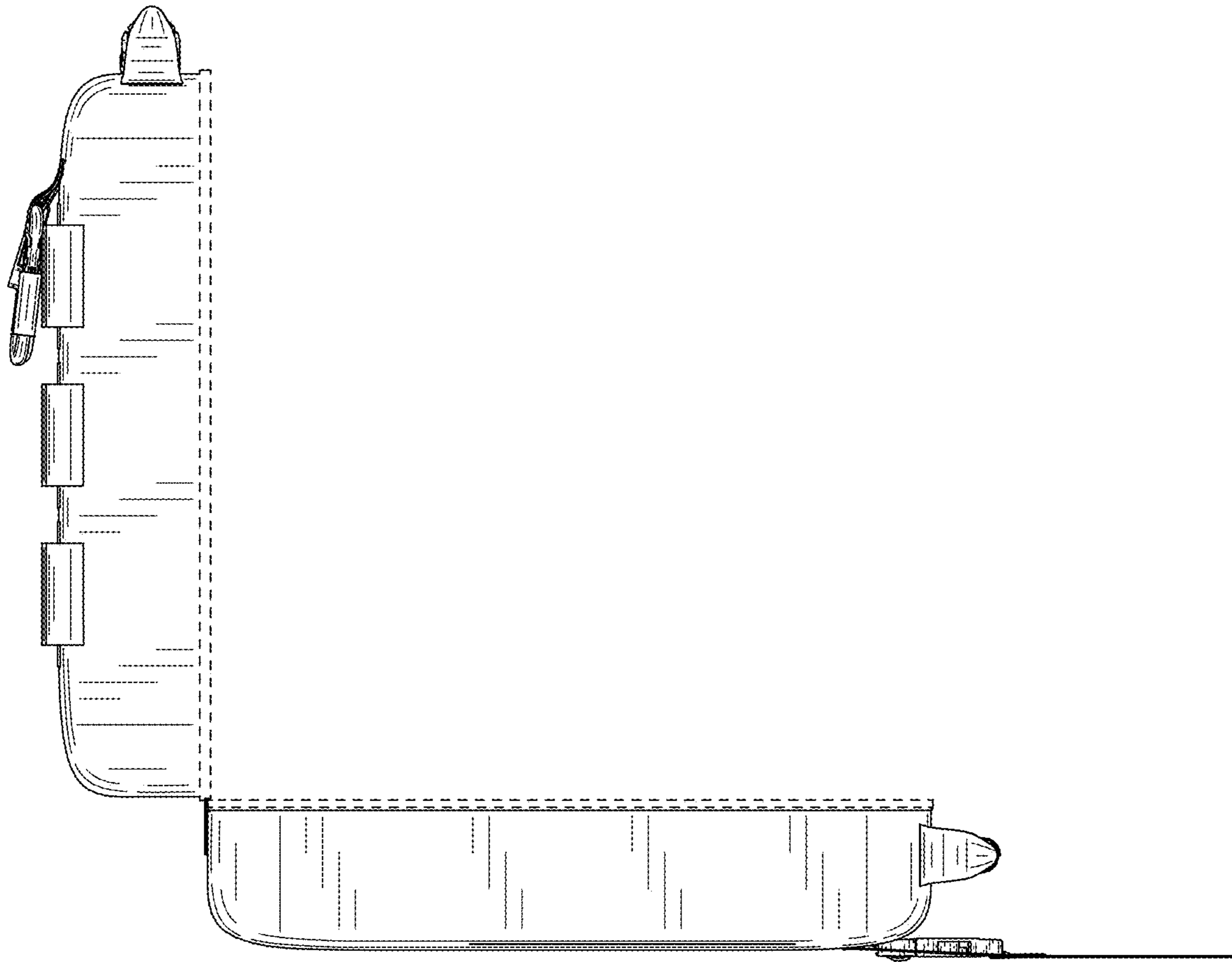


FIG. 14

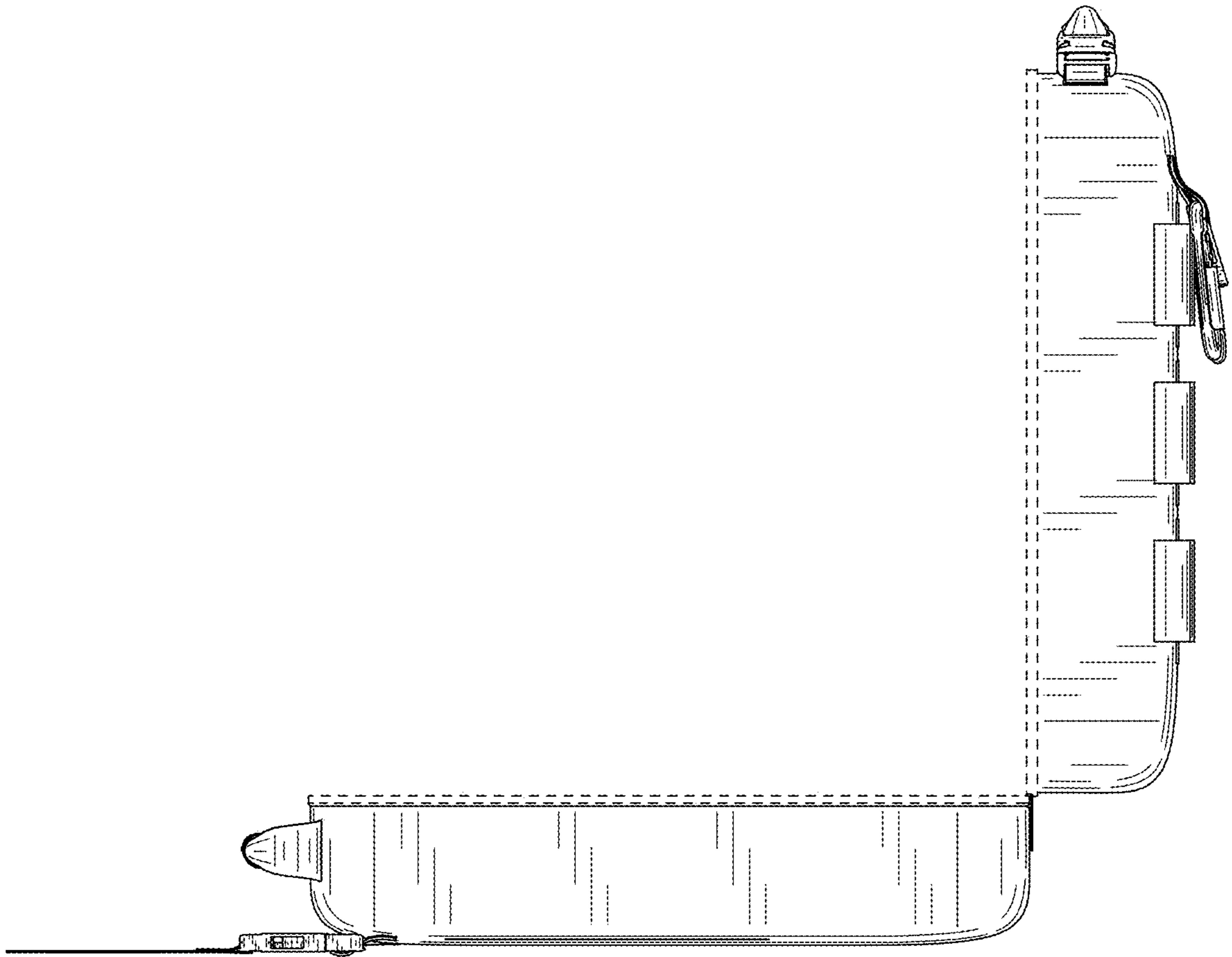


FIG. 15

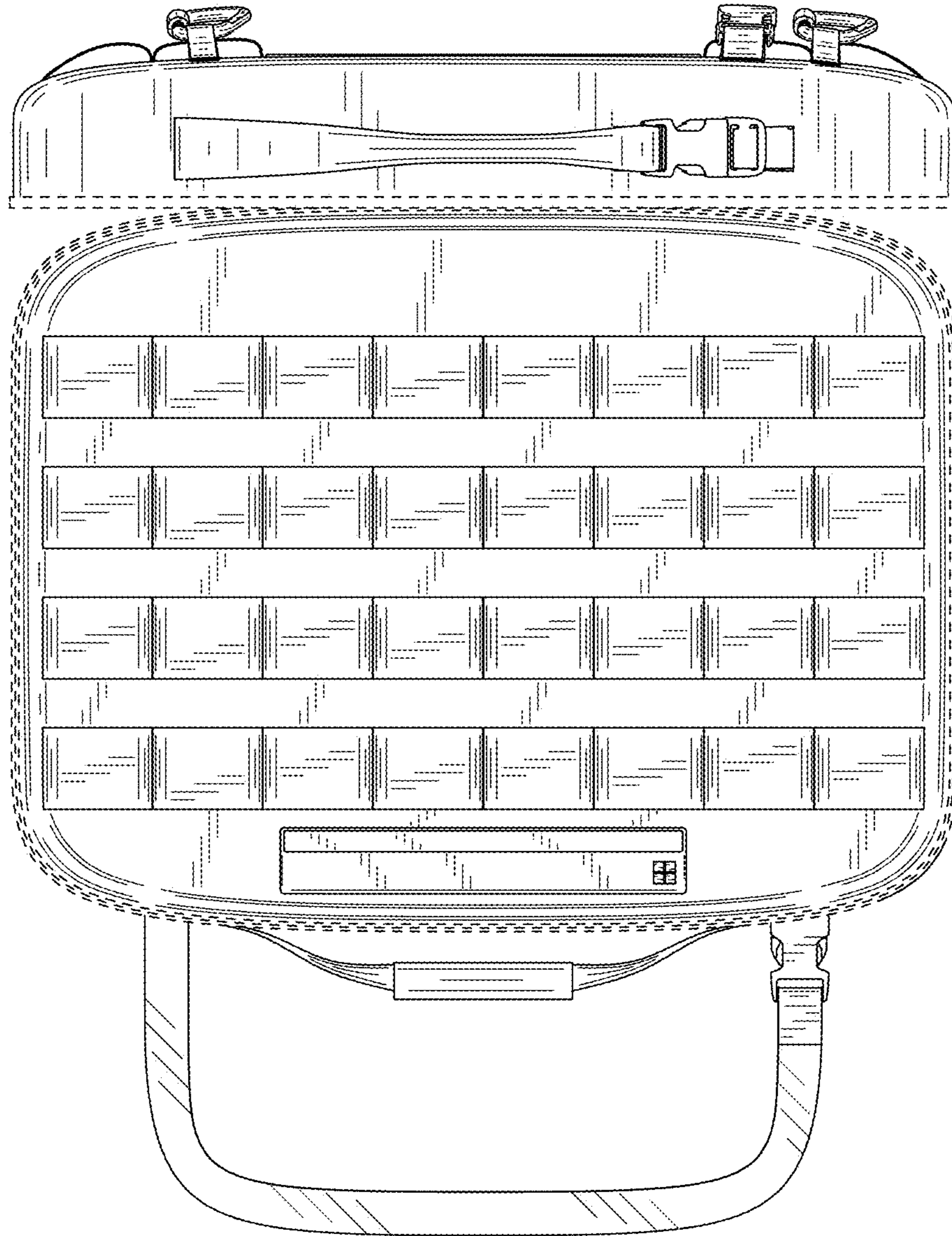


FIG. 16

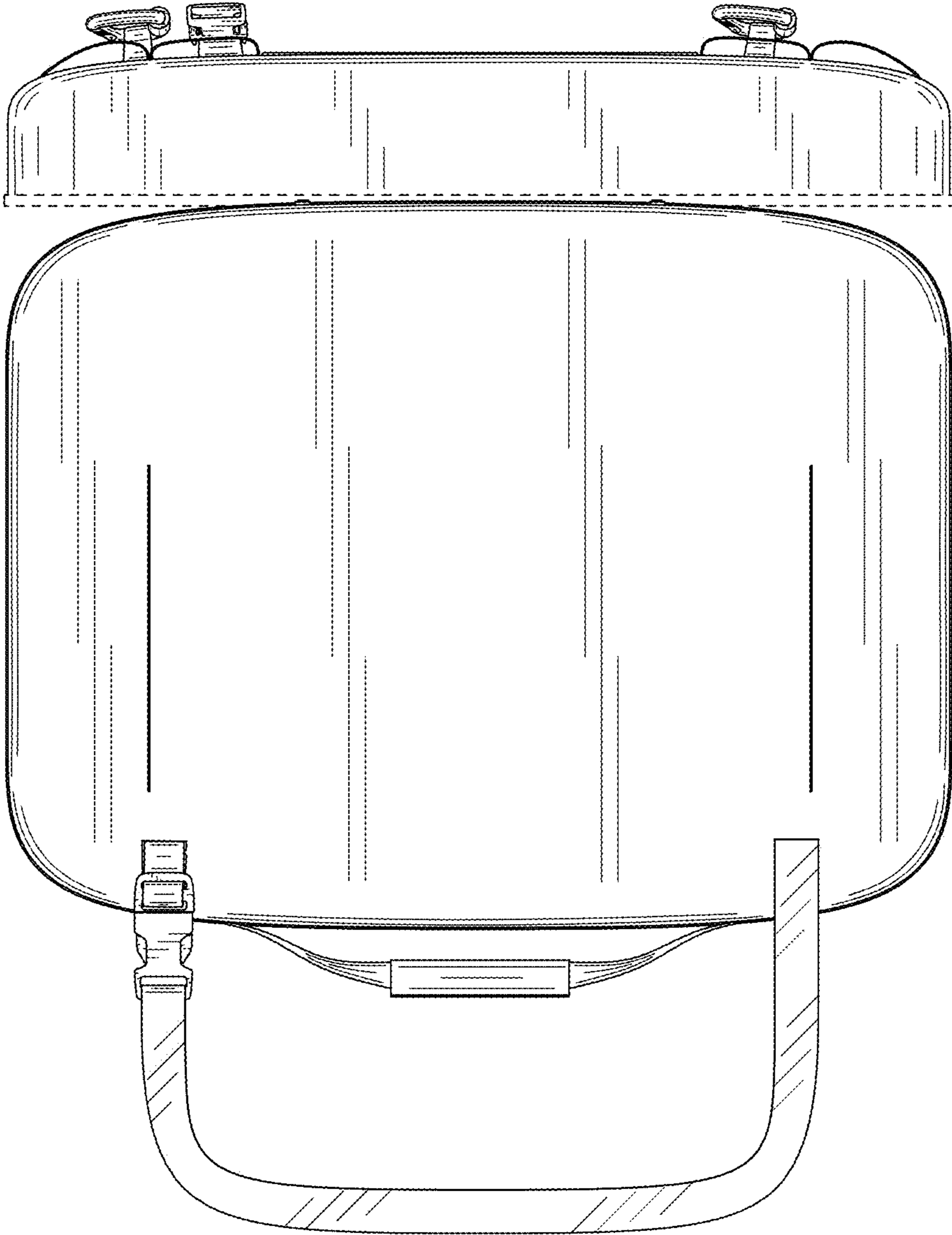


FIG. 17

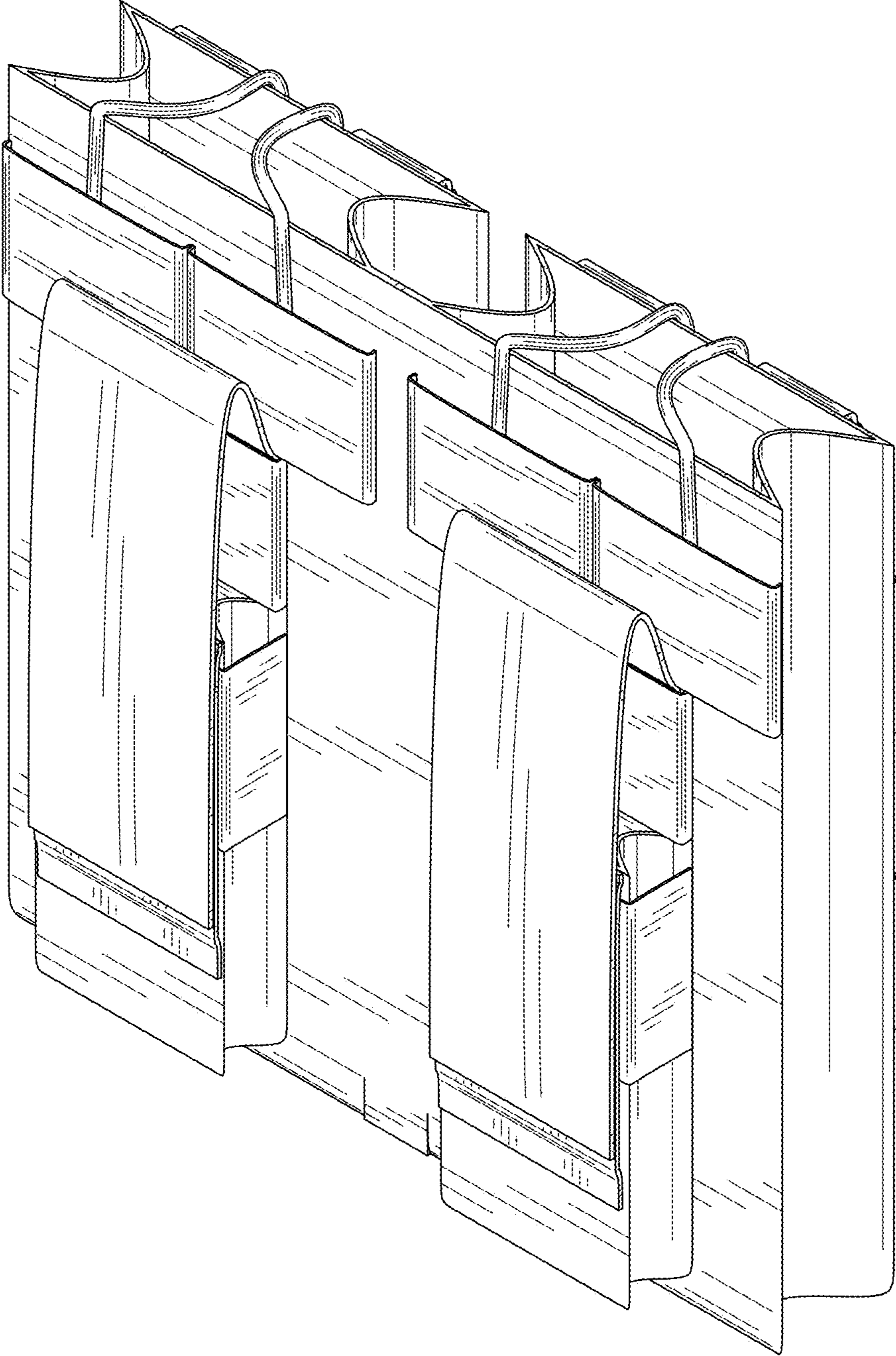


FIG. 18

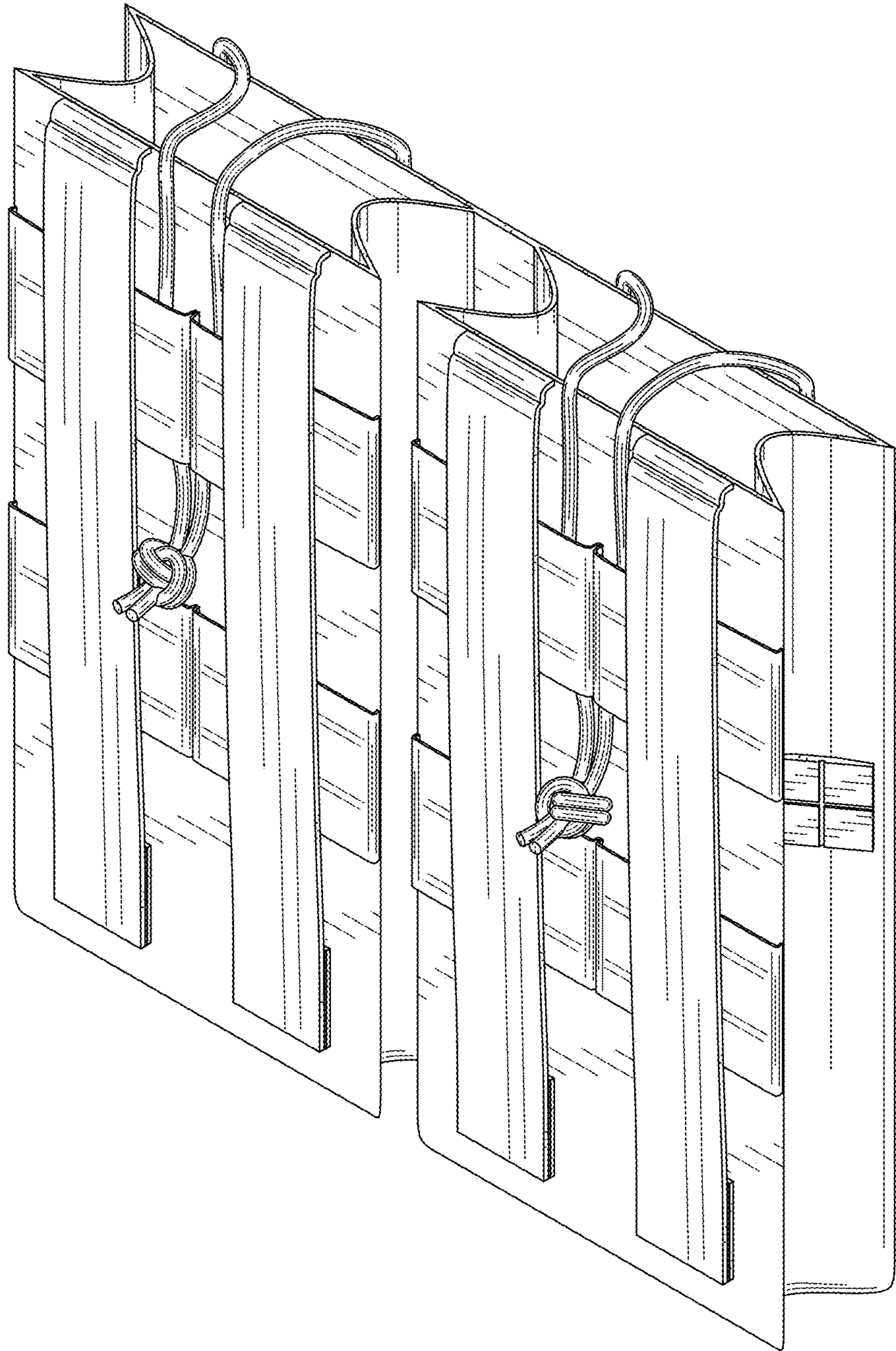


FIG. 19

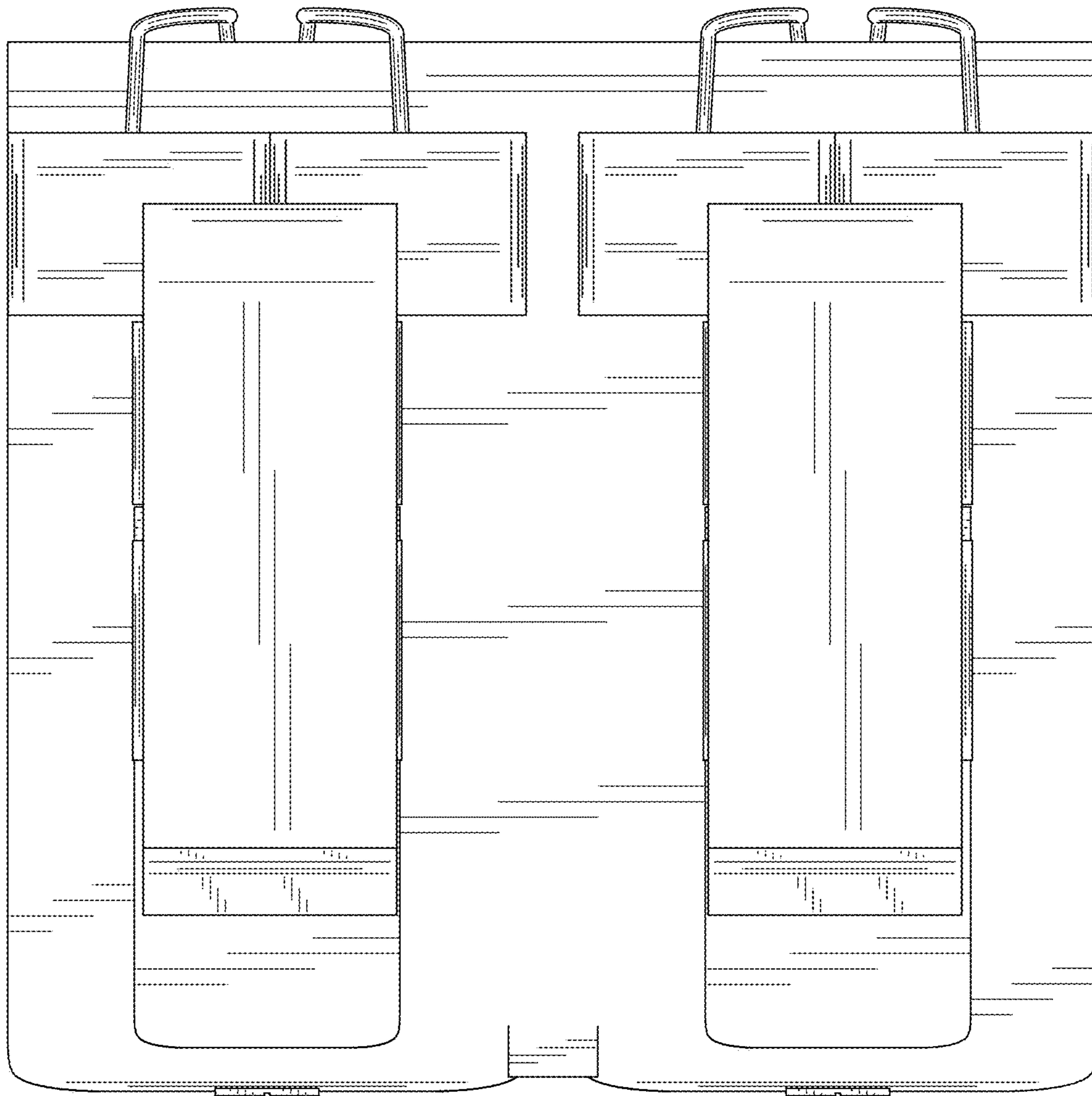


FIG. 20

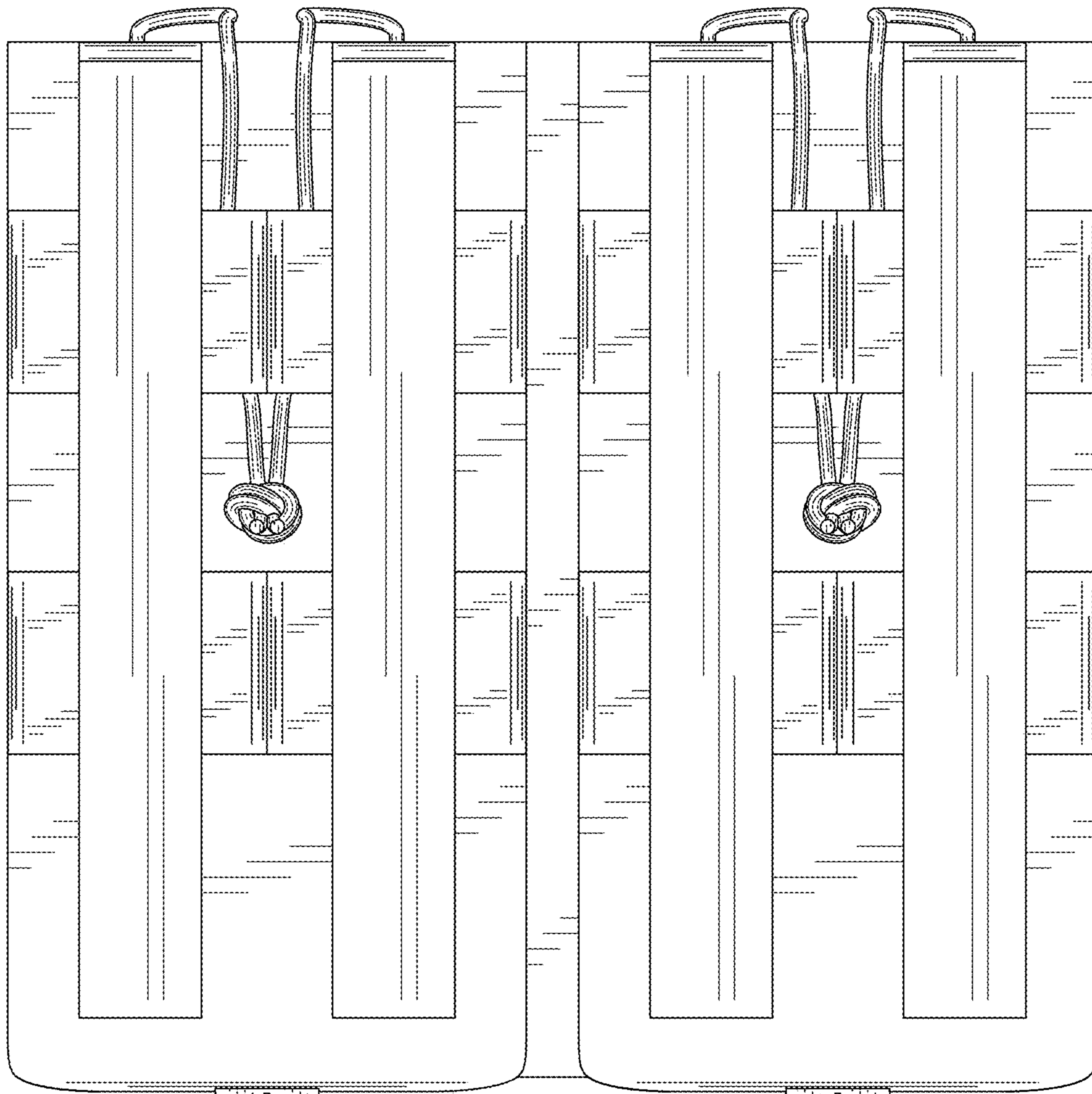


FIG. 21

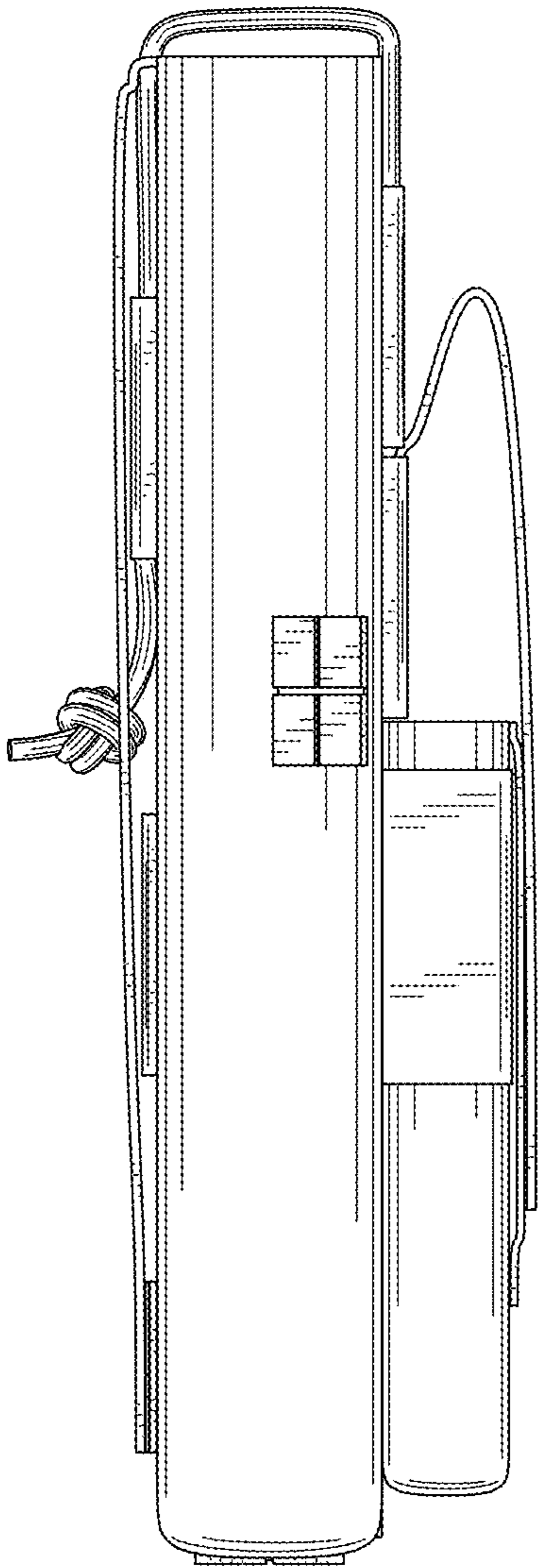


FIG. 22

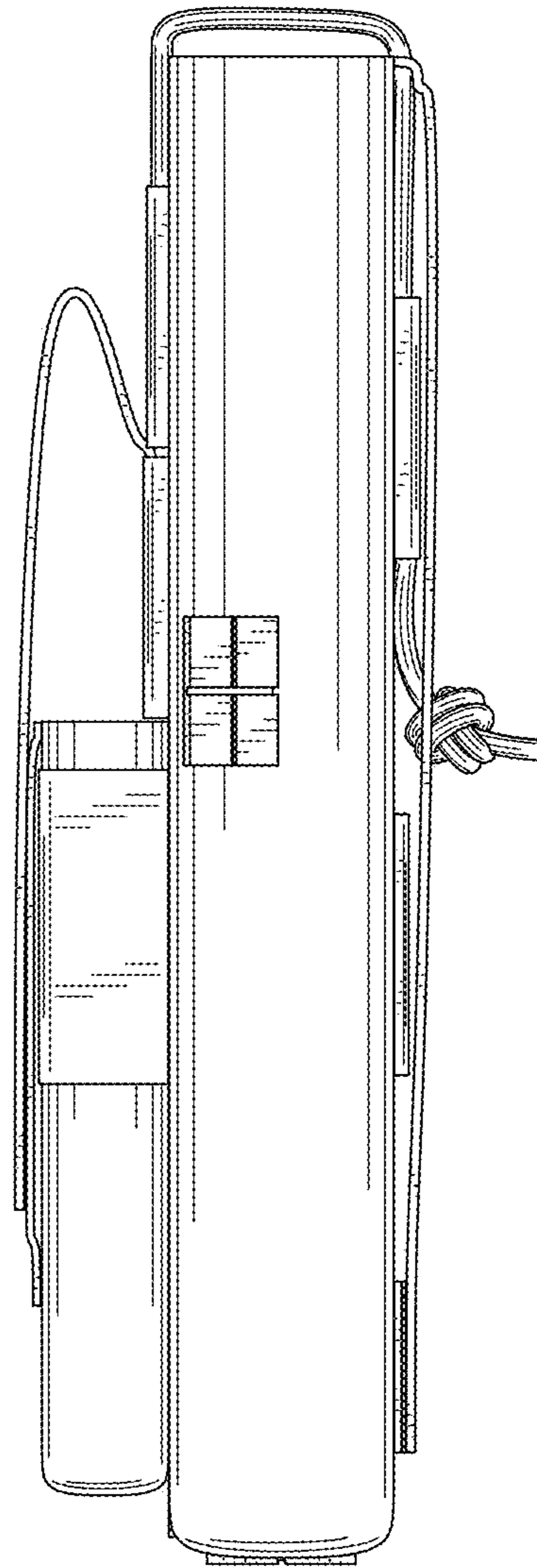


FIG. 23

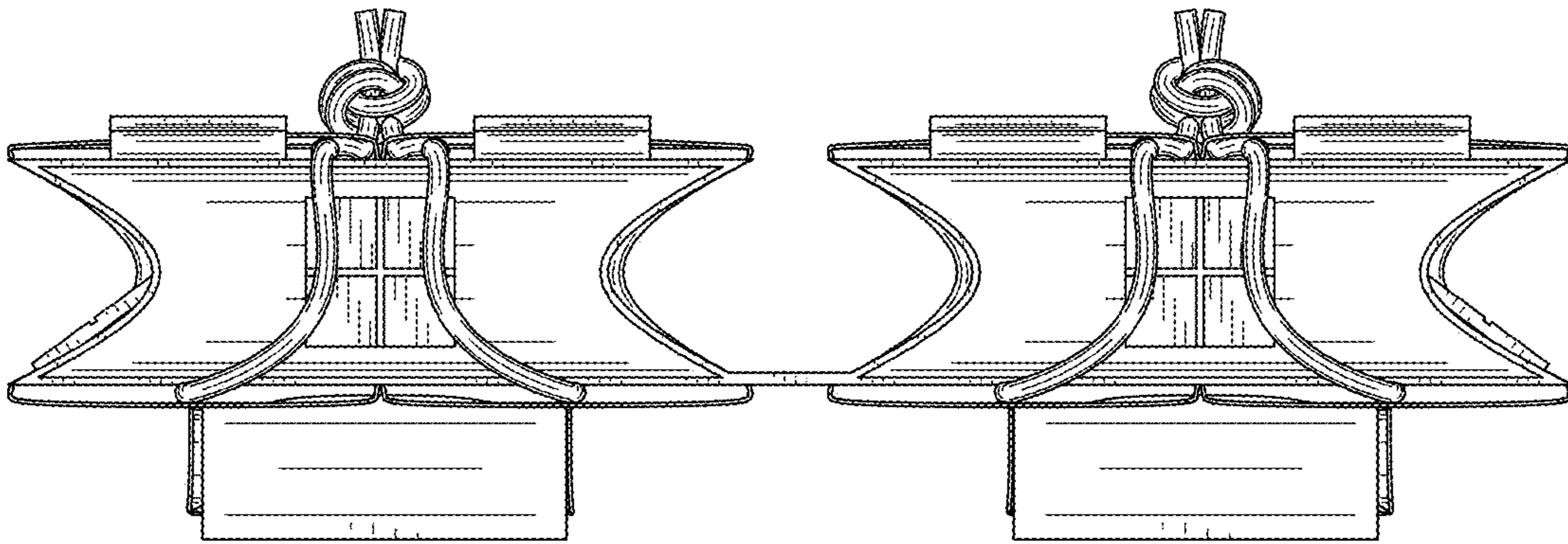


FIG. 24

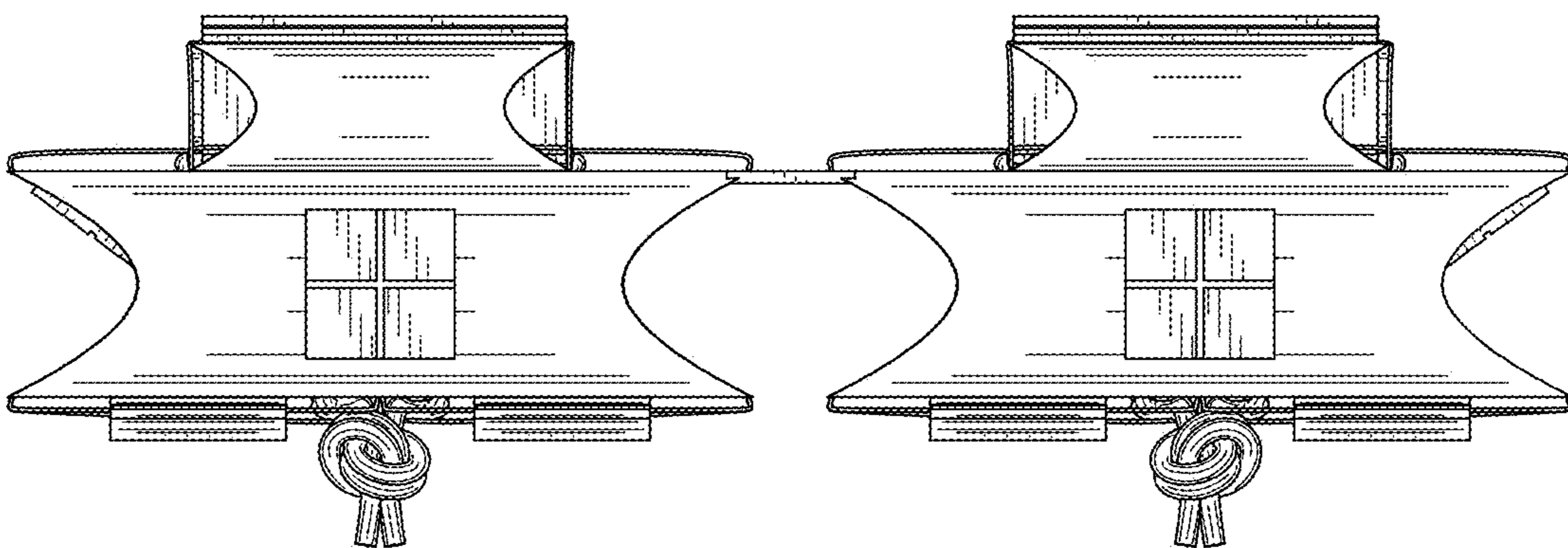


FIG. 25

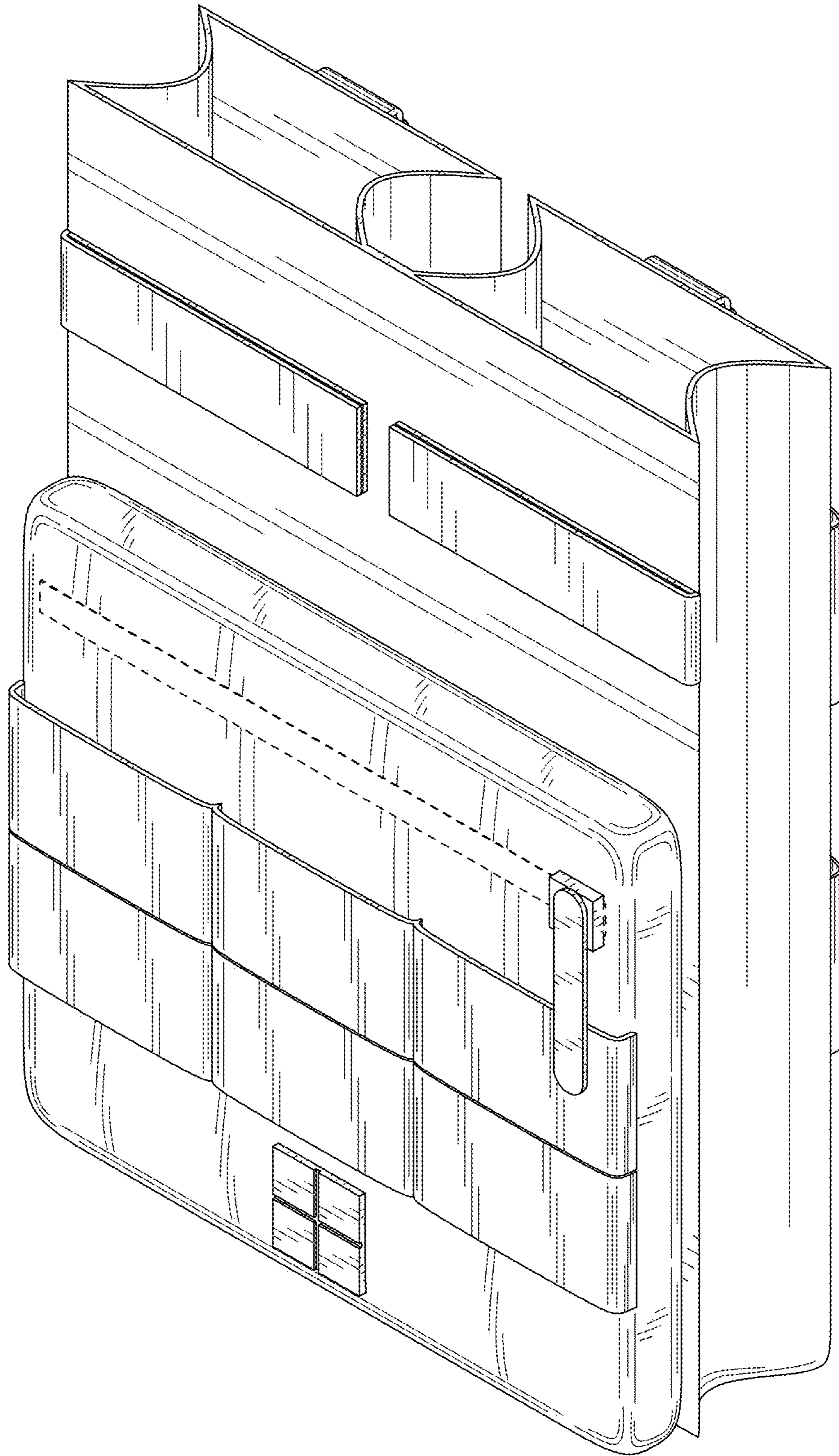


FIG. 26

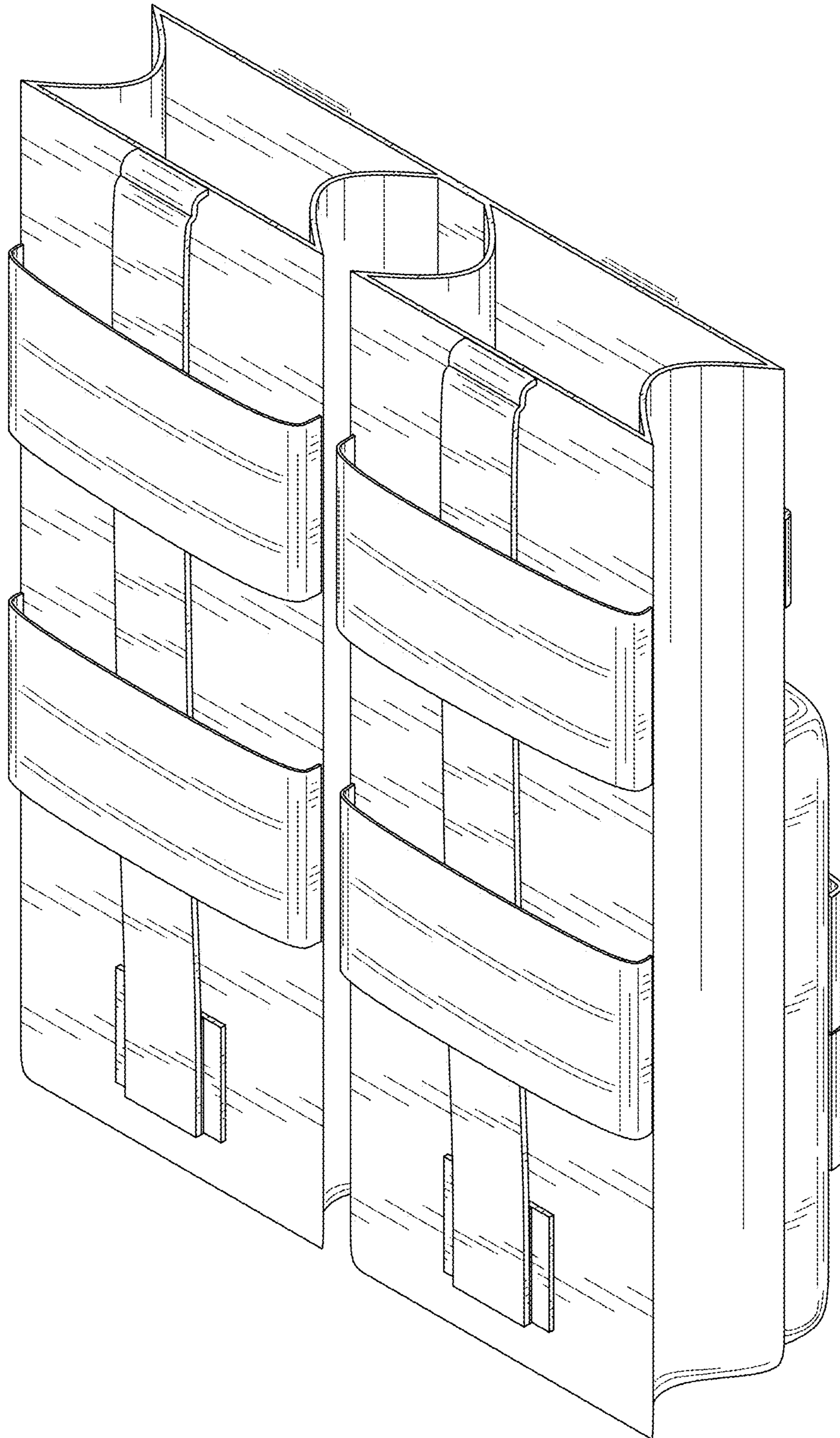


FIG. 27

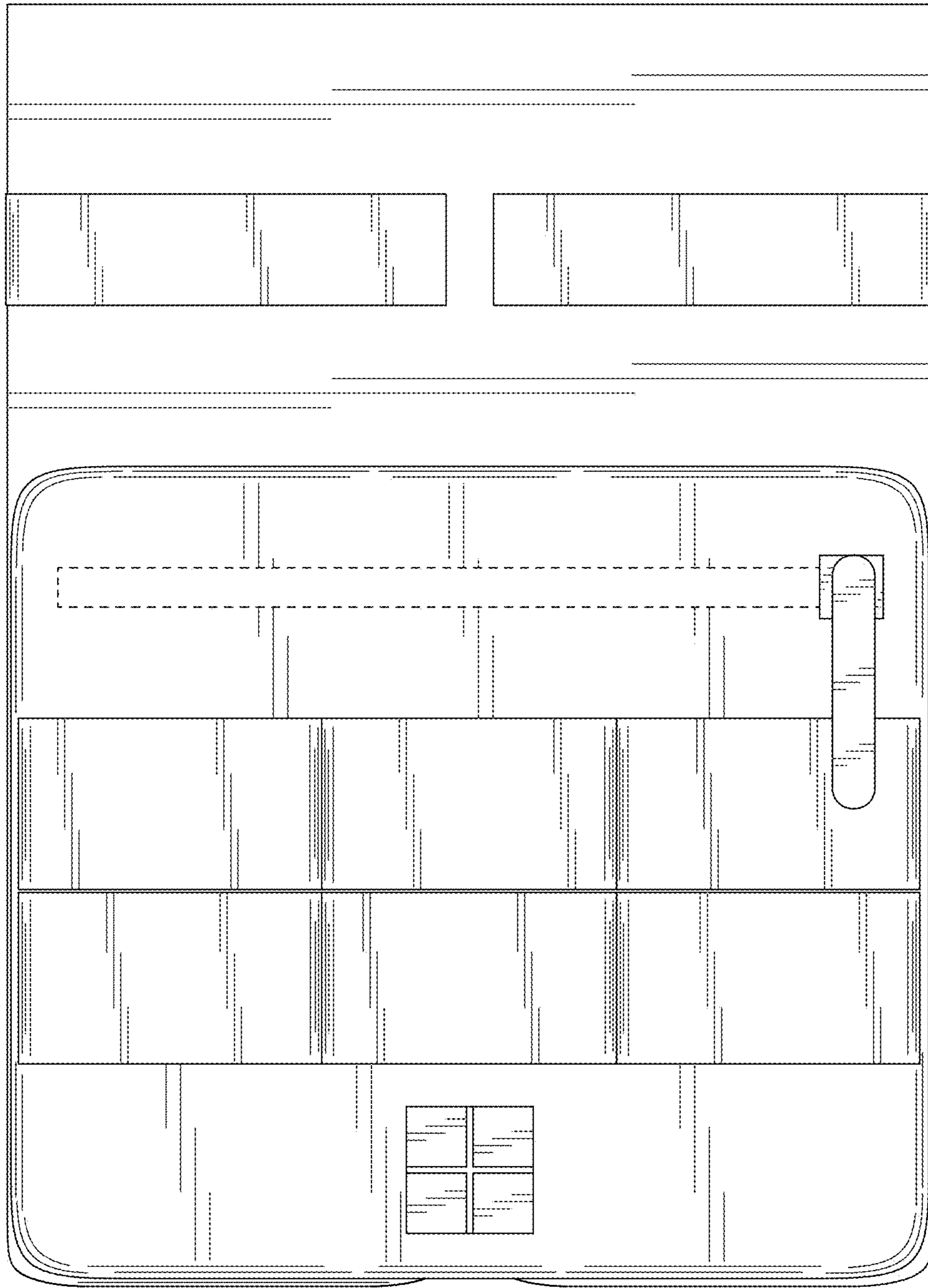


FIG. 28

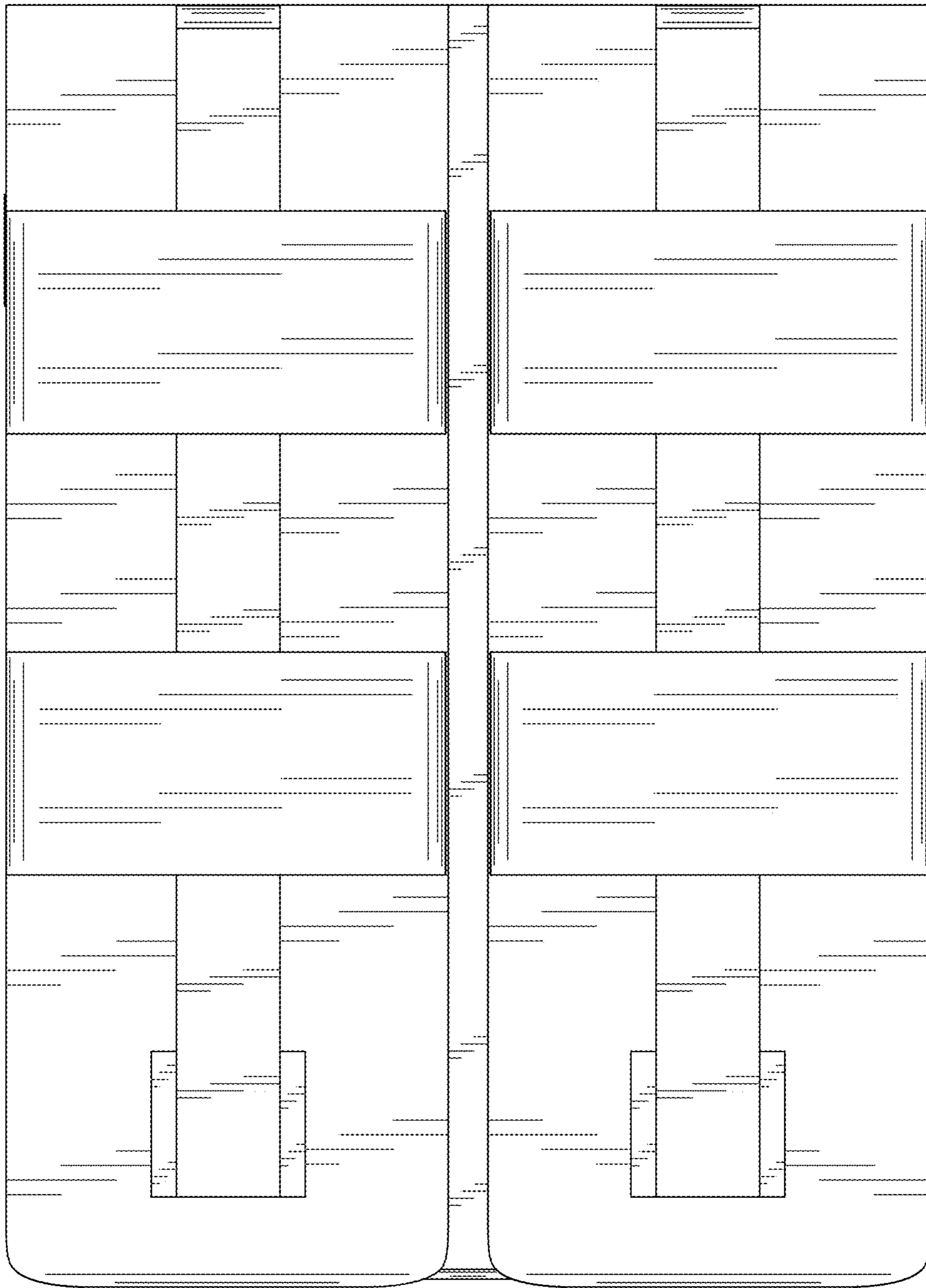


FIG. 29

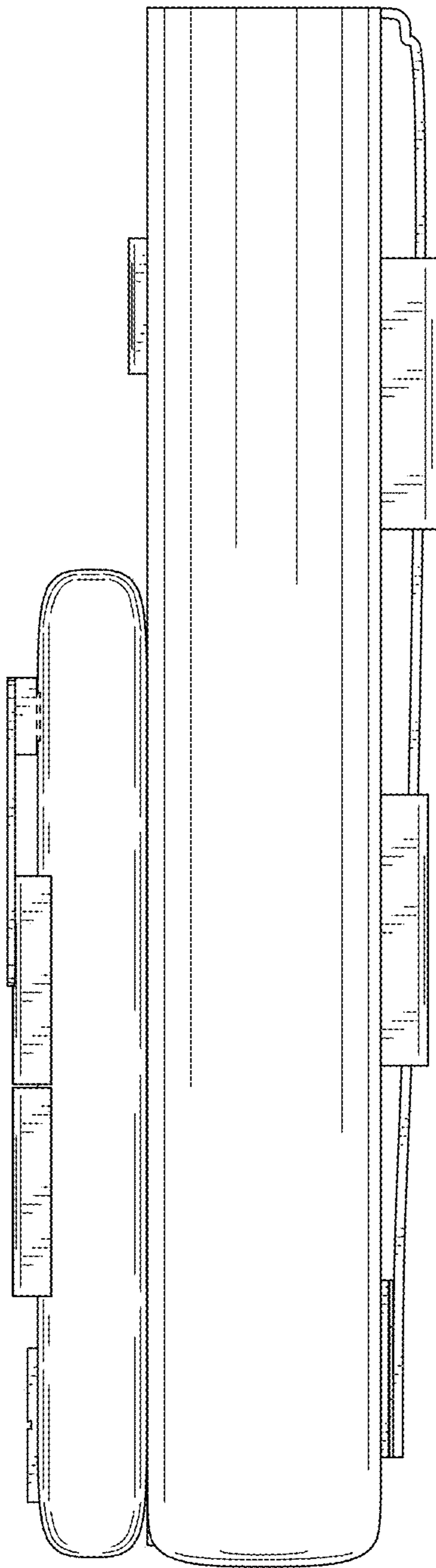


FIG. 30

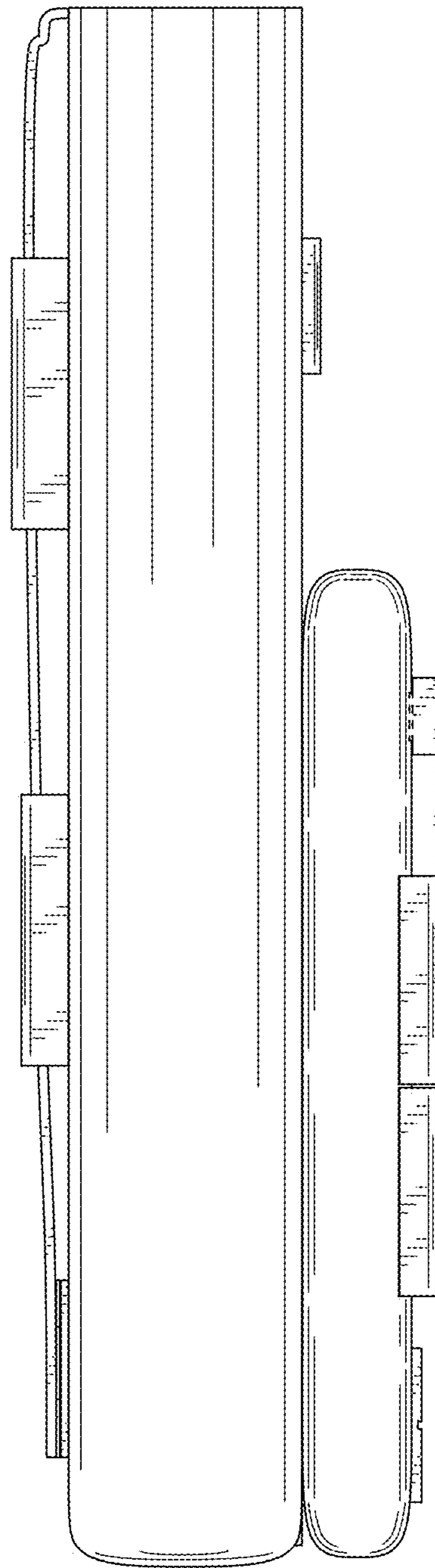


FIG. 31

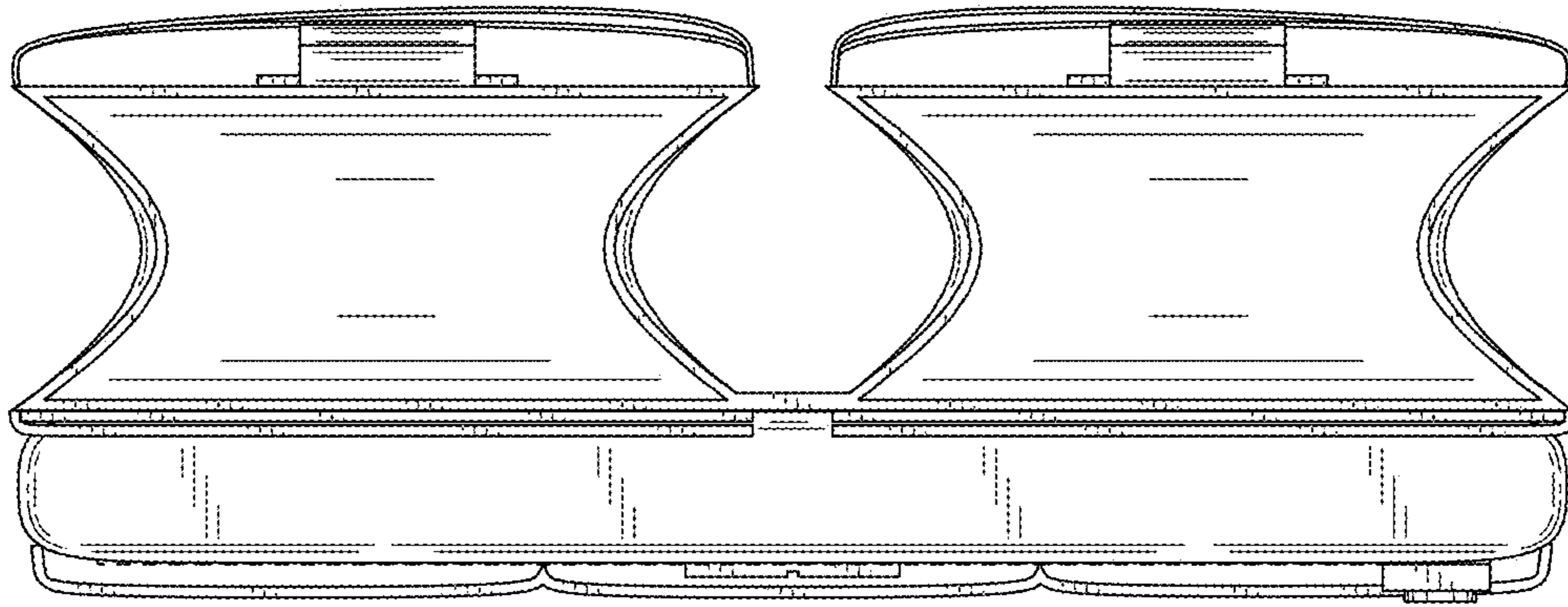


FIG. 32

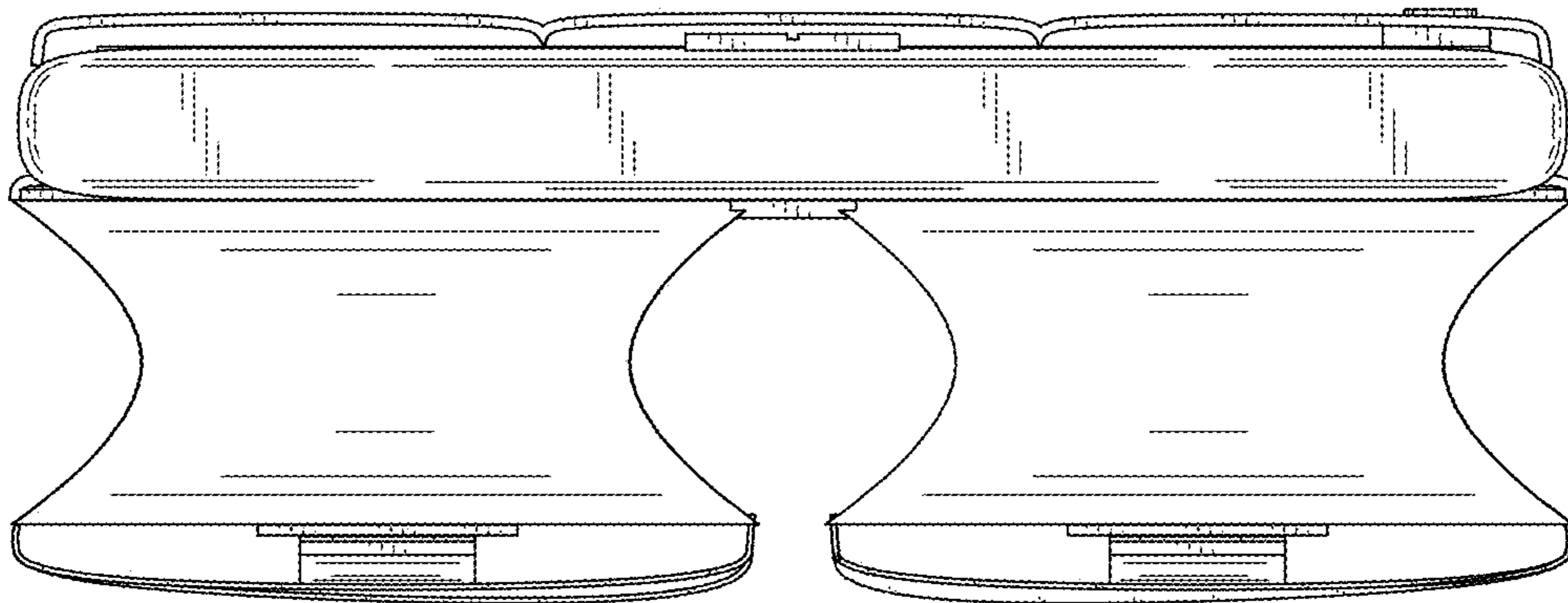


FIG. 33