



US00D940048S

(12) **United States Design Patent** (10) **Patent No.:** **US D940,048 S**
Kang et al. (45) **Date of Patent:** **** Jan. 4, 2022**

(54) **DASHBOARD WITH STEERING WHEEL FOR AUTOMOBILE**

(56) **References Cited**

(71) Applicant: **LG ELECTRONICS INC.**, Seoul (KR)
(72) Inventors: **Seungmo Kang**, Seoul (KR); **Romain Diboine**, Seoul (KR); **Juneho Song**, Seoul (KR); **Inkoo Shim**, Seoul (KR)
(73) Assignee: **LG Electronics Inc.**, Seoul (KR)

U.S. PATENT DOCUMENTS

D597,009 S *	7/2009	Tan	D12/192
D805,980 S *	12/2017	Lee	D12/192
D837,131 S *	1/2019	Robillard	D12/415
D843,288 S *	3/2019	Fontaeus	D12/192
D865,604 S *	11/2019	Kang	D12/192
D877,013 S *	3/2020	Kim	D12/192
D913,180 S *	3/2021	Kim	D12/195
D913,884 S *	3/2021	Manzoni	D12/192
D918,123 S *	5/2021	Manzoni	D12/415
D930,557 S *	9/2021	Song	D12/415
D930,558 S *	9/2021	Song	D12/415
D930,561 S *	9/2021	Son	D12/415
D932,419 S *	10/2021	Manzoni	D12/415

(**) Term: **15 Years**

(21) Appl. No.: **35/510,383**

(22) Filed: **Mar. 16, 2020**

(80) **Hague Agreement Data**

Int. Filing Date: **Mar. 16, 2020**
Int. Reg. No.: **DM/207215**
Int. Reg. Date: **Mar. 16, 2020**
Int. Reg. Pub. Date: **Sep. 18, 2020**

* cited by examiner

Primary Examiner — Richard E Chilcot

(74) *Attorney, Agent, or Firm* — Birch, Stewart, Kolasch & Birch, LLP

(30) **Foreign Application Priority Data**

Sep. 18, 2019 (KR) 30-2019-0044794

(51) **LOC (13) Cl.** **12-16**

(52) **U.S. Cl.**
USPC **D12/415**; D12/192; D12/195
CPC **B60N 3/10** (2013.01)

(58) **Field of Classification Search**
USPC D12/96, 99, 106, 110, 114, 190–195, D12/345, 415–420; D14/126–133, 373, D14/374, 388, 389
CPC B60R 2300/20; B60R 2300/205; B60R 2300/207; B60K 2350/2017; B60K 2350/206; B60K 35/00; B60K 37/04; B60K 37/06; B60N 3/10

See application file for complete search history.

(57) **CLAIM**

The ornamental design for a dashboard with steering wheel for automobile, as shown and described.

DESCRIPTION

1. Dashboard with steering wheel for automobile

1.1 : Perspective

1.2 : Front

1.3 : Back

1.4 : Left

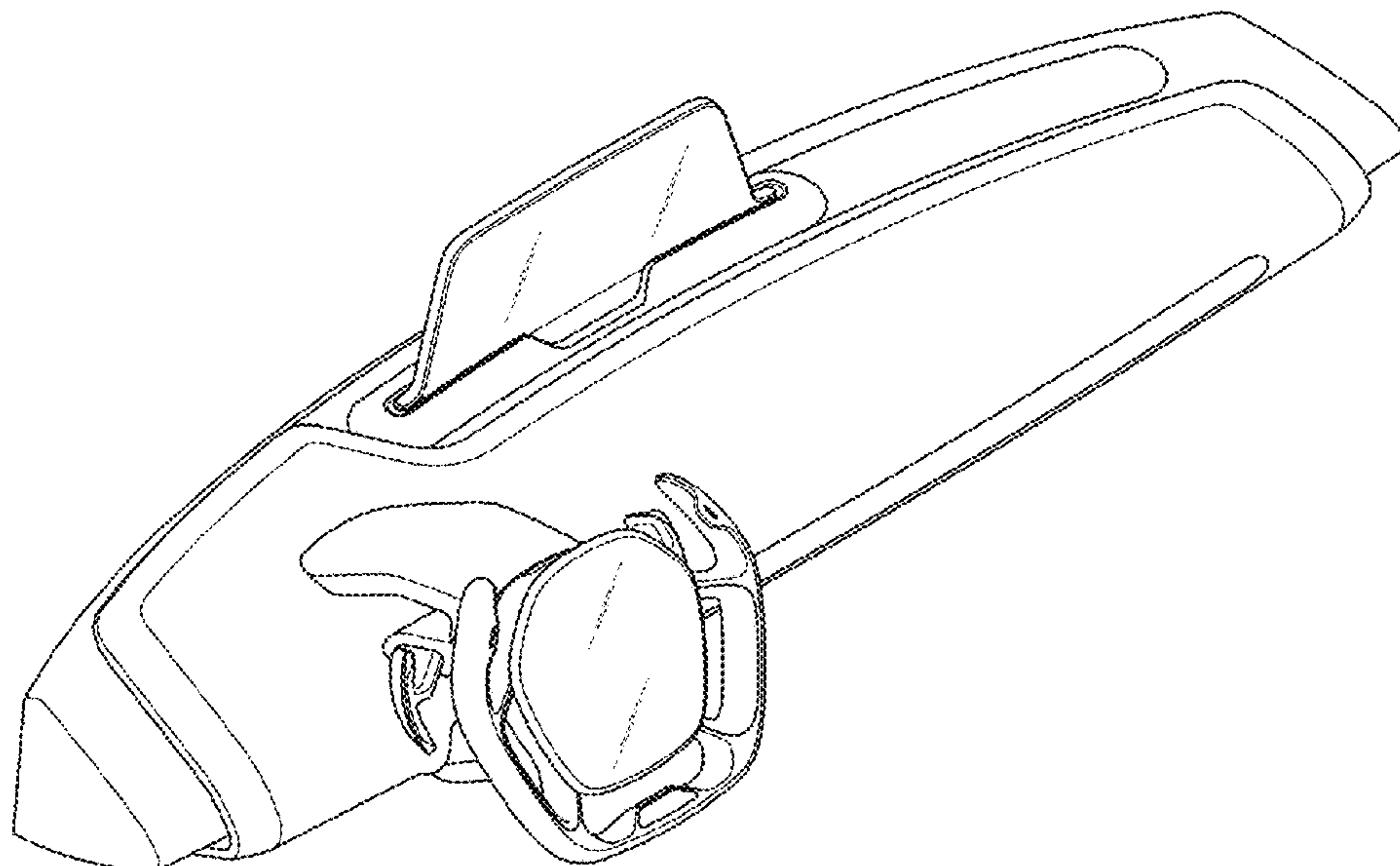
1.5 : Right

1.6 : Top

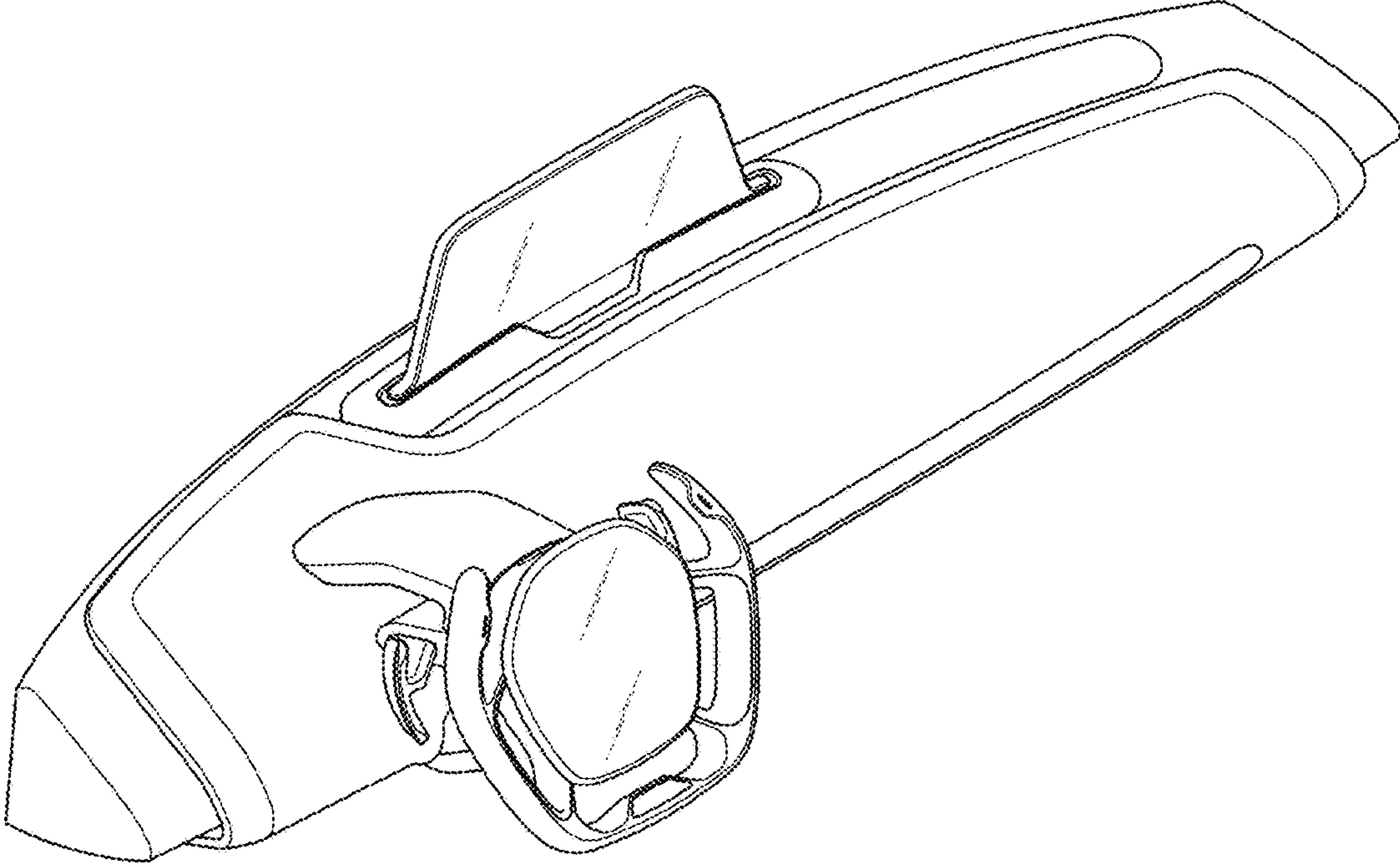
1.7 : Bottom

The shading lines in the reproductions show a portion of the display screen, and do not represent its surface ornamentation.

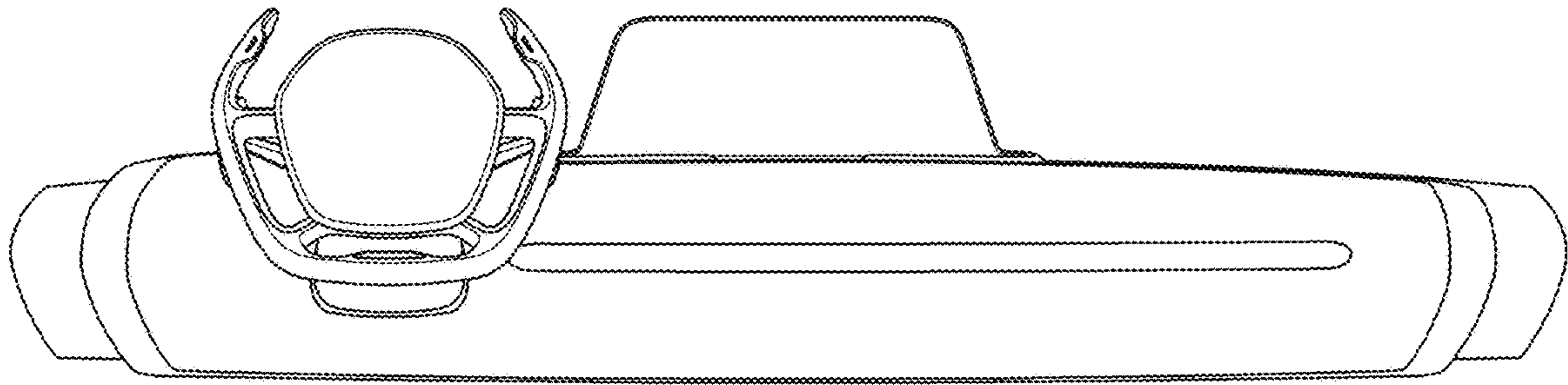
1 Claim, 7 Drawing Sheets



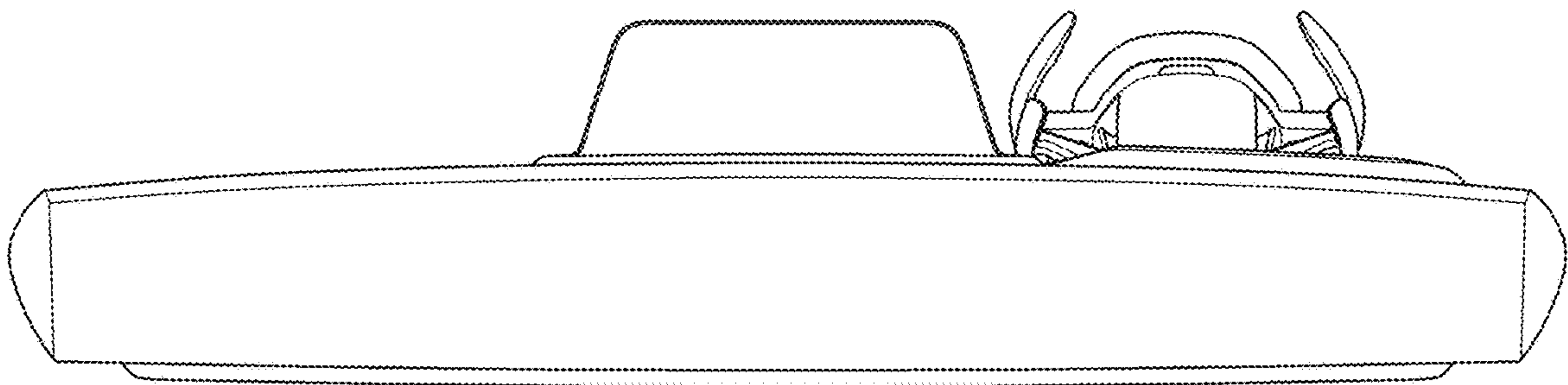
1.1



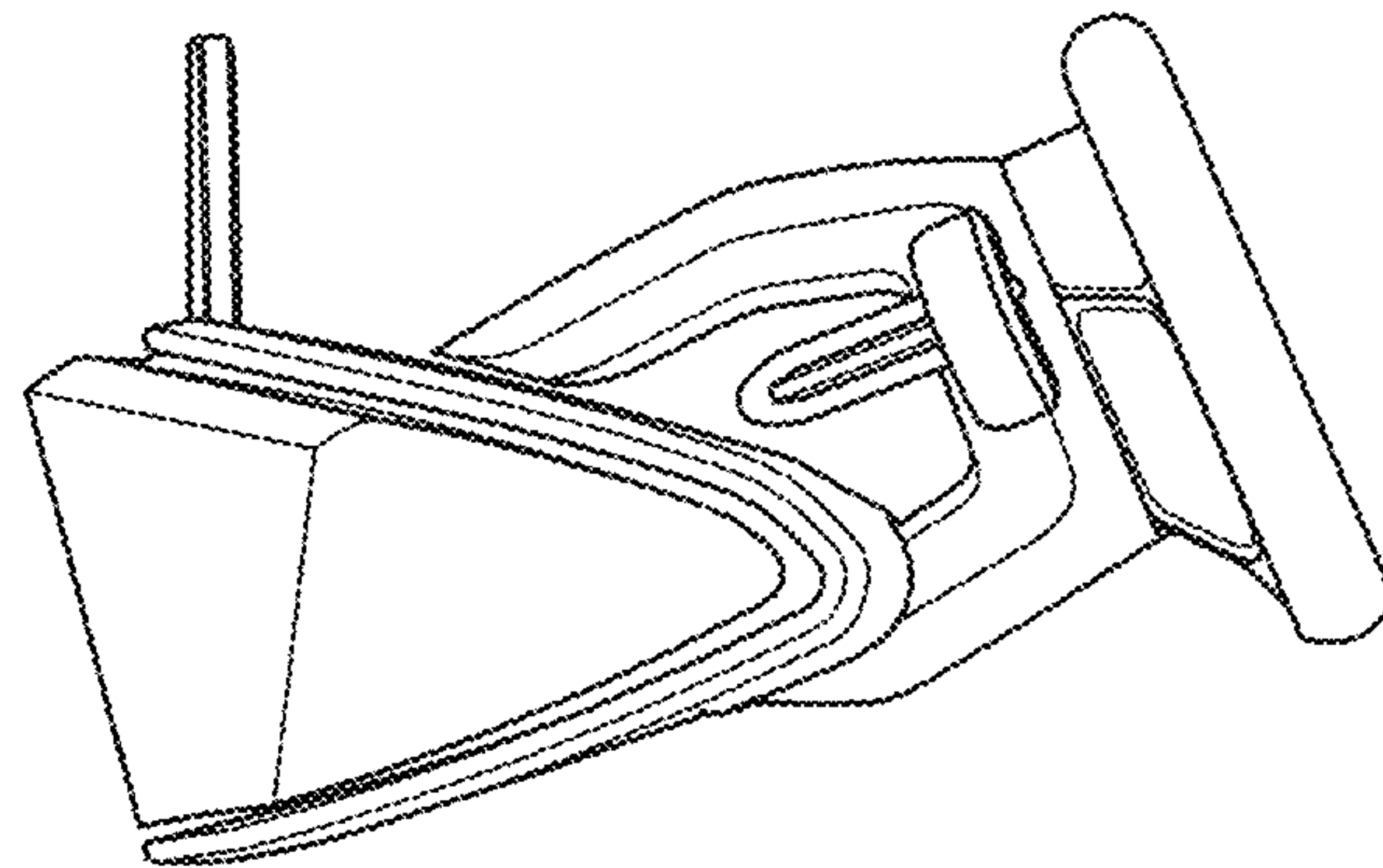
1.2



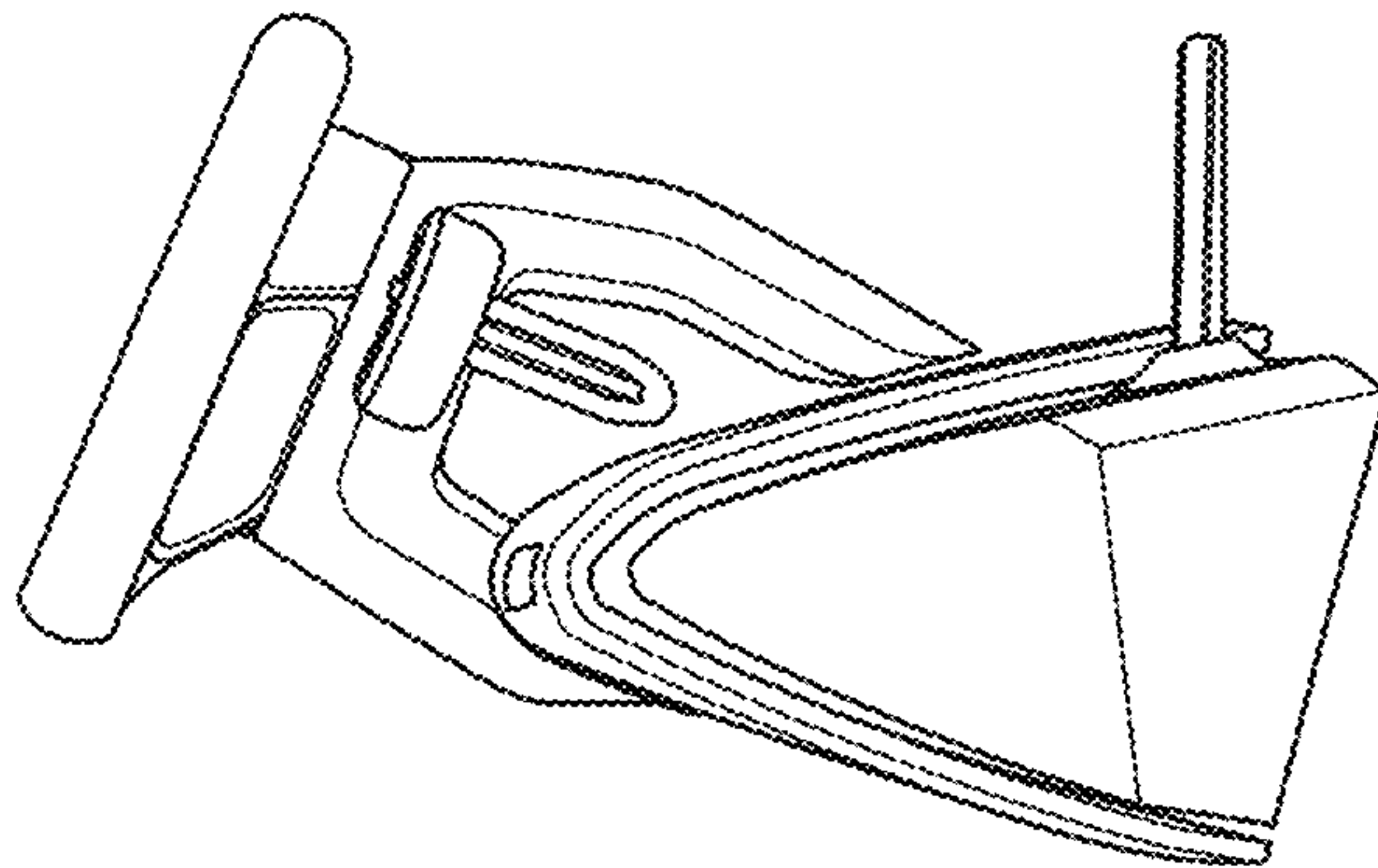
1.3



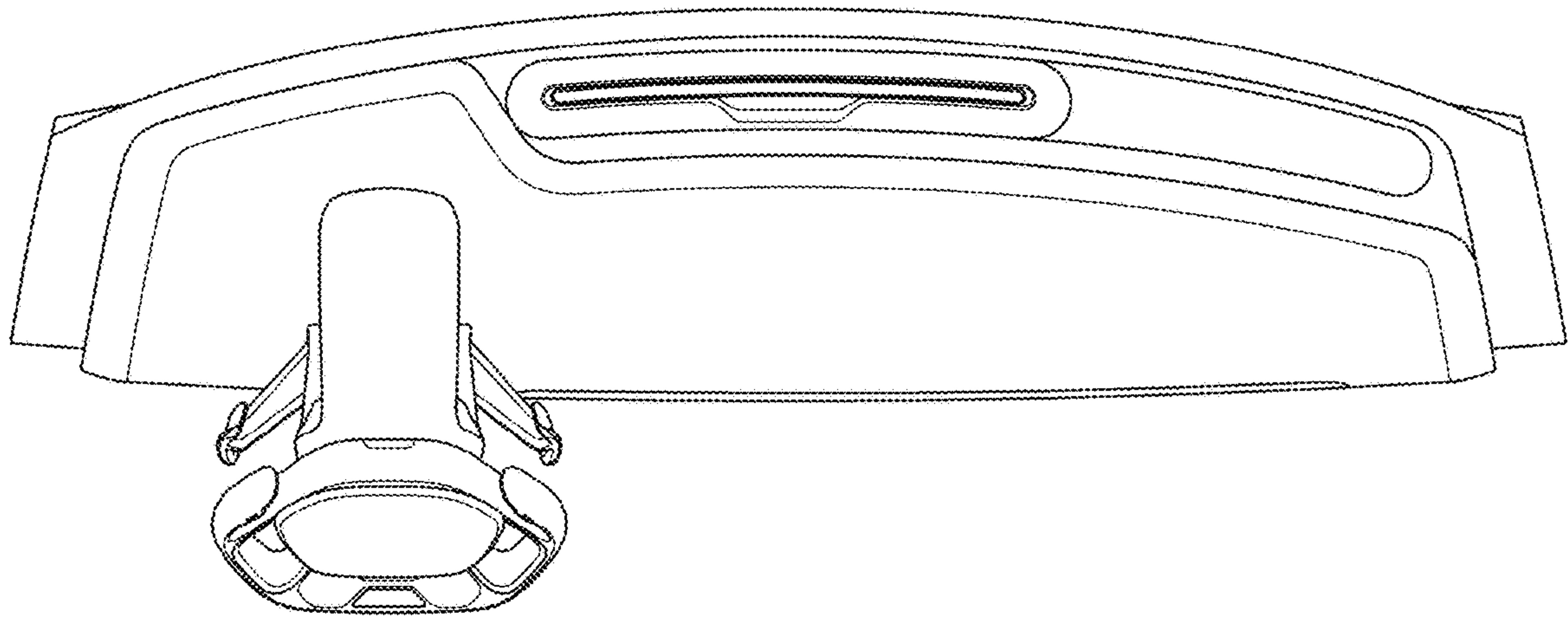
1.4



1.5



1.6



1.7

