



US00D940046S

(12) **United States Design Patent** (10) **Patent No.:** **US D940,046 S**
Larsson et al. (45) **Date of Patent:** **** Jan. 4, 2022**

(54) **CARRIER**
(71) Applicant: **Thule Sweden AB**, Hillerstorp (SE)
(72) Inventors: **Johan Larsson**, Jönköping (SE); **Simon Helmersson**, Värnamo (SE)
(73) Assignee: **Thule Sweden AB**, Hillerstorp (SE)
(**) Term: **15 Years**
(21) Appl. No.: **29/739,330**
(22) Filed: **Jun. 24, 2020**
(51) **LOC (13) Cl.** **12-11**
(52) **U.S. Cl.**
USPC **D12/407**
(58) **Field of Classification Search**
USPC D12/407, 408, 406, 412, 414, 115
CPC .. B60R 9/06; B60R 9/10; B60R 9/045; B60R 9/048
See application file for complete search history.

D706,209 S * 6/2014 Flaherty D12/407
D707,617 S * 6/2014 Flaherty et al.
D717,717 S * 11/2014 Williams B60R 9/10
D12/408
D719,901 S * 12/2014 Krusinski D12/408
D722,289 S * 2/2015 Williams D12/408
D727,831 S * 4/2015 Eriksson D12/407
D788,019 S * 5/2017 Kuschmeader D12/408
D790,434 S * 6/2017 Adler D12/408
D813,784 S * 3/2018 Larsson D12/407
D817,256 S * 5/2018 Adler D12/408
D852,114 S * 6/2019 Anderson D12/407
D877,685 S * 3/2020 Larsson D12/406
2013/0015615 A1 * 1/2013 Bogoslofski B60R 9/10
267/141.2

* cited by examiner

Primary Examiner — Michelle E. Wilson
Assistant Examiner — Clese Moore, Jr.
(74) *Attorney, Agent, or Firm* — Sterne, Kessler, Goldstein & Fox P.L.L.C.

(57) **CLAIM**

The ornamental design for a carrier, as shown and described.

DESCRIPTION

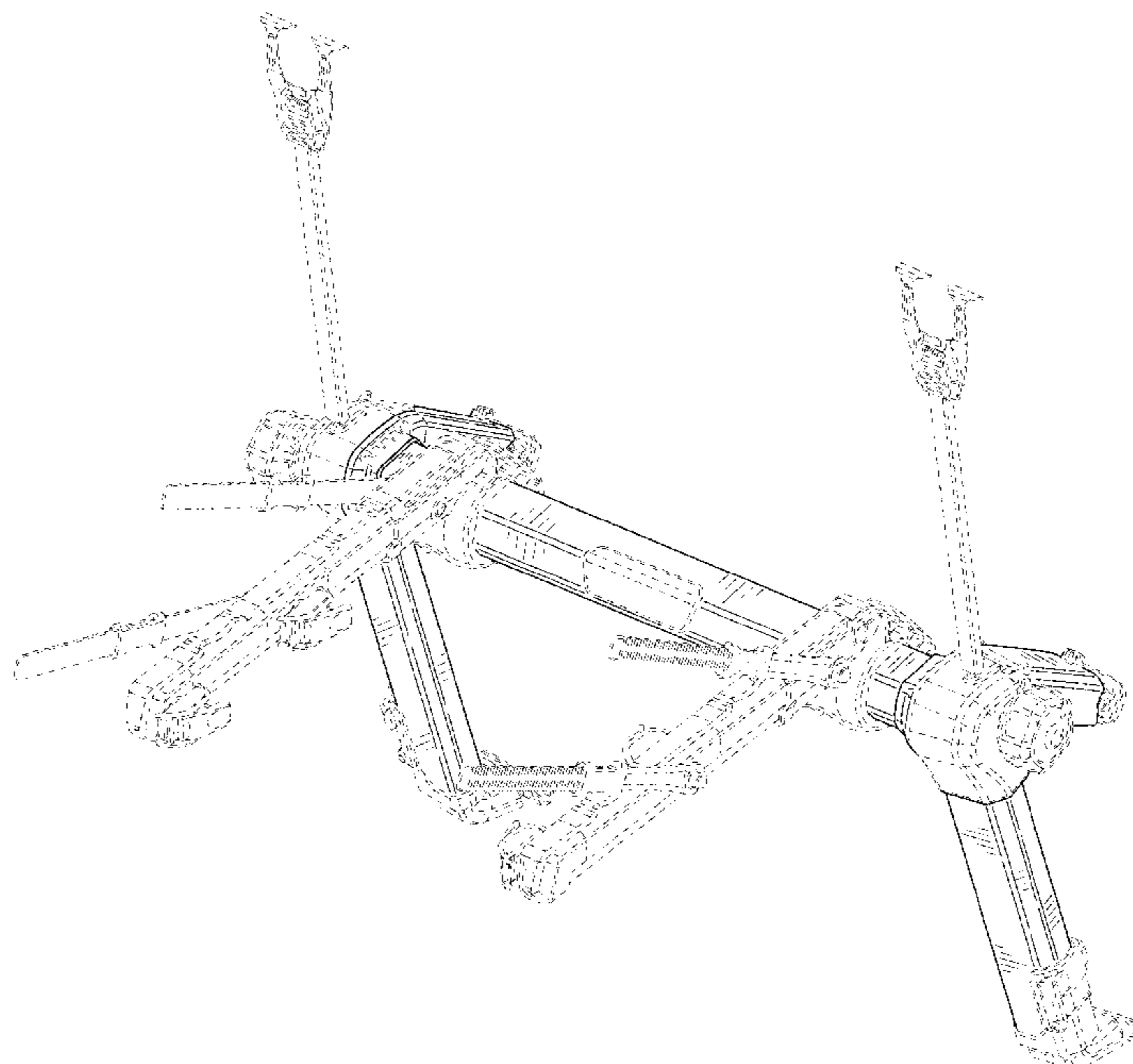
FIG. 1 is a top front perspective view of a carrier showing the claimed design;
FIG. 2 is a bottom rear perspective view thereof;
FIG. 3 is a rear view thereof;
FIG. 4 is a front view thereof;
FIG. 5 is a left side view thereof;
FIG. 6 is a right side view thereof;
FIG. 7 is a top view thereof; and,
FIG. 8 is a bottom view thereof.
The broken lines in the figures show portions of the carrier that form no part of the claimed design.

1 Claim, 8 Drawing Sheets

(56) **References Cited**

U.S. PATENT DOCUMENTS

D412,482 S * 8/1999 Chen D12/408
D430,533 S * 9/2000 Peschmann D12/408
D602,420 S * 10/2009 Kuschmeader D12/408
D625,247 S * 10/2010 Flaherty D12/408
D628,141 S * 11/2010 Weaver D12/408
D634,259 S * 3/2011 Farber D12/408
D635,087 S * 3/2011 Flaherty D12/408
D637,137 S * 5/2011 Weaver D12/408
D656,080 S * 3/2012 Budd D12/408
D658,567 S * 5/2012 Shen D12/408
D663,675 S * 7/2012 Sautter D12/408
D671,883 S * 12/2012 Farber D12/408
D672,704 S * 12/2012 Grago D12/408
D684,917 S * 6/2013 Williams D12/408



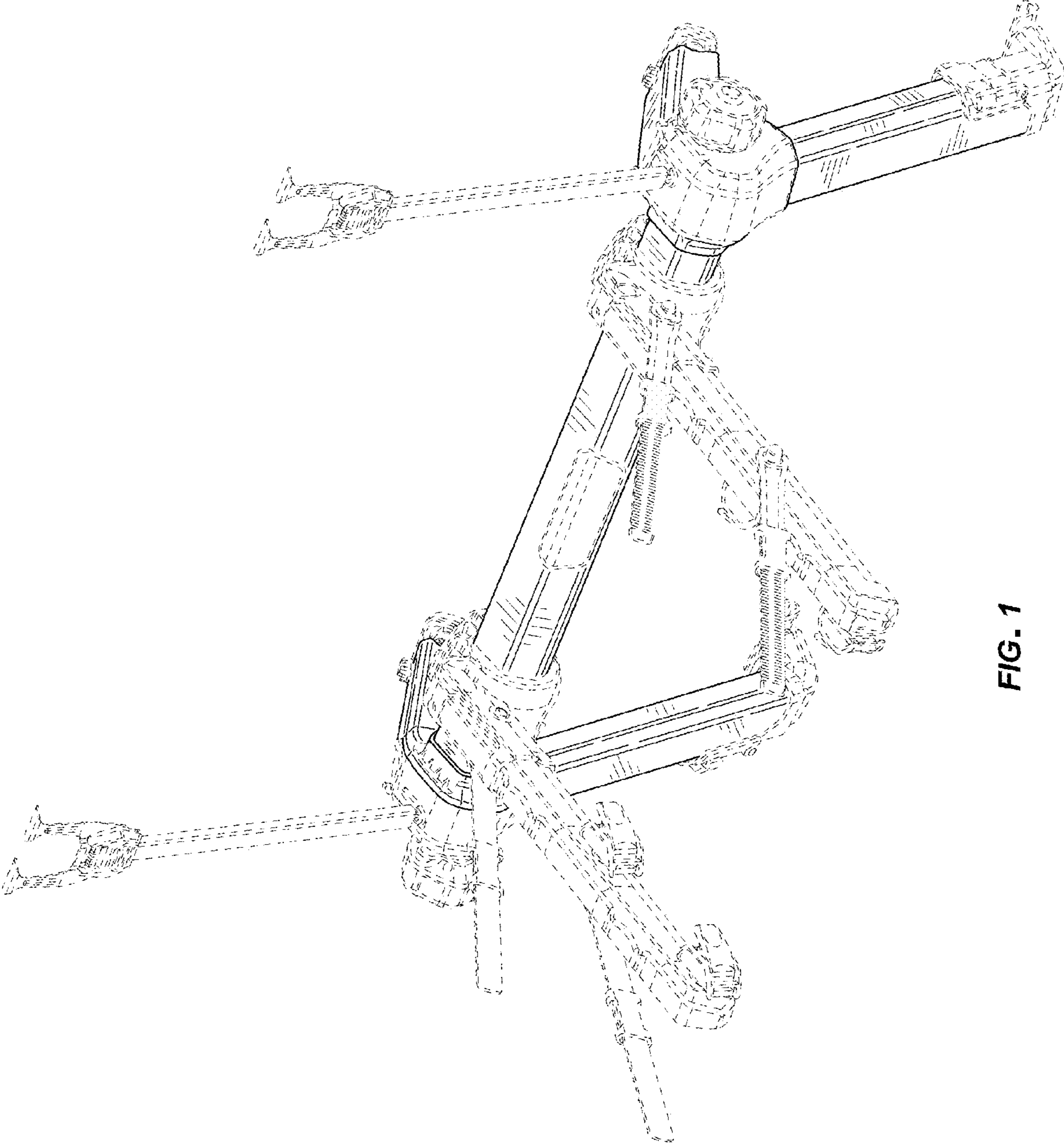


FIG. 1

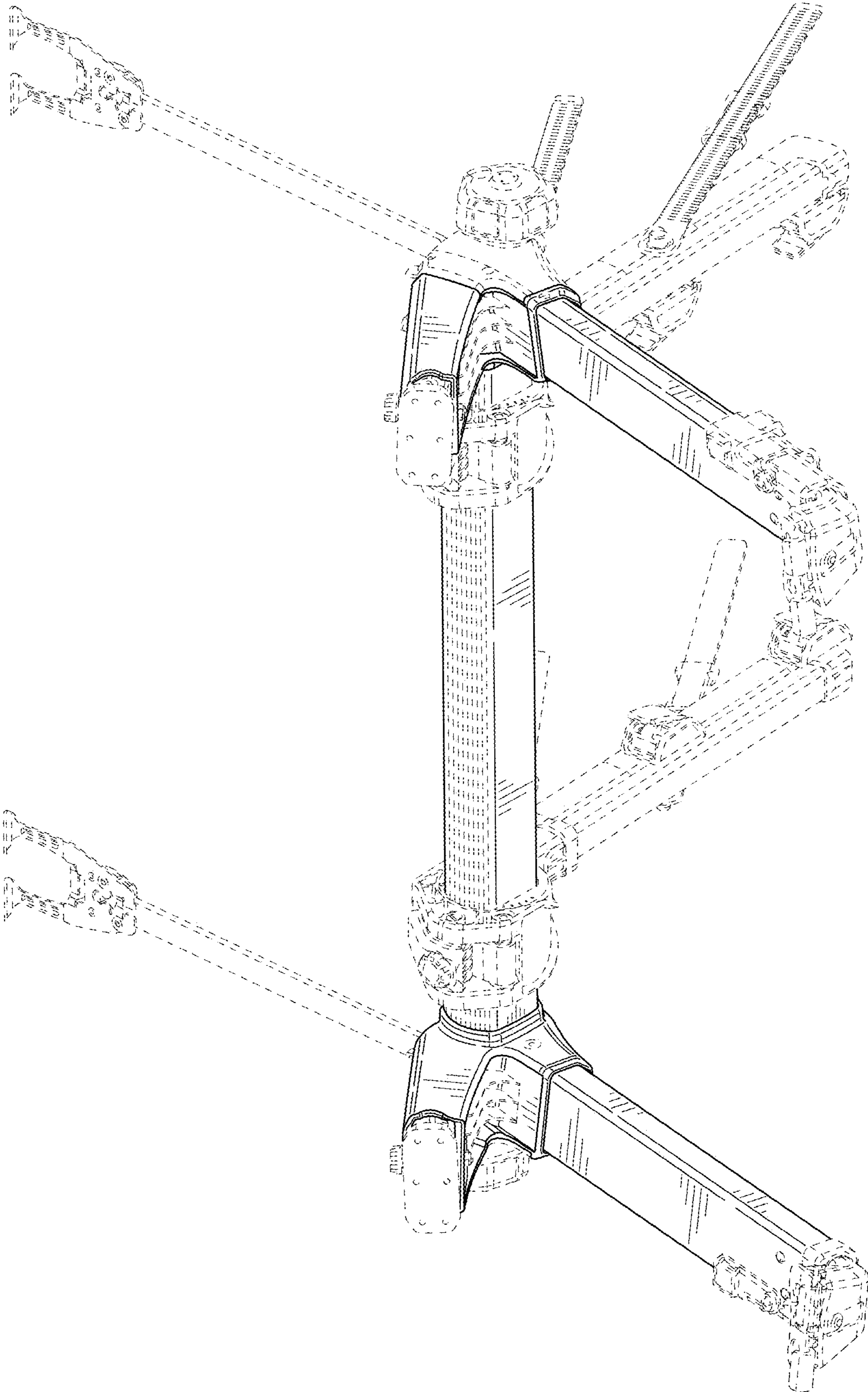


FIG. 2

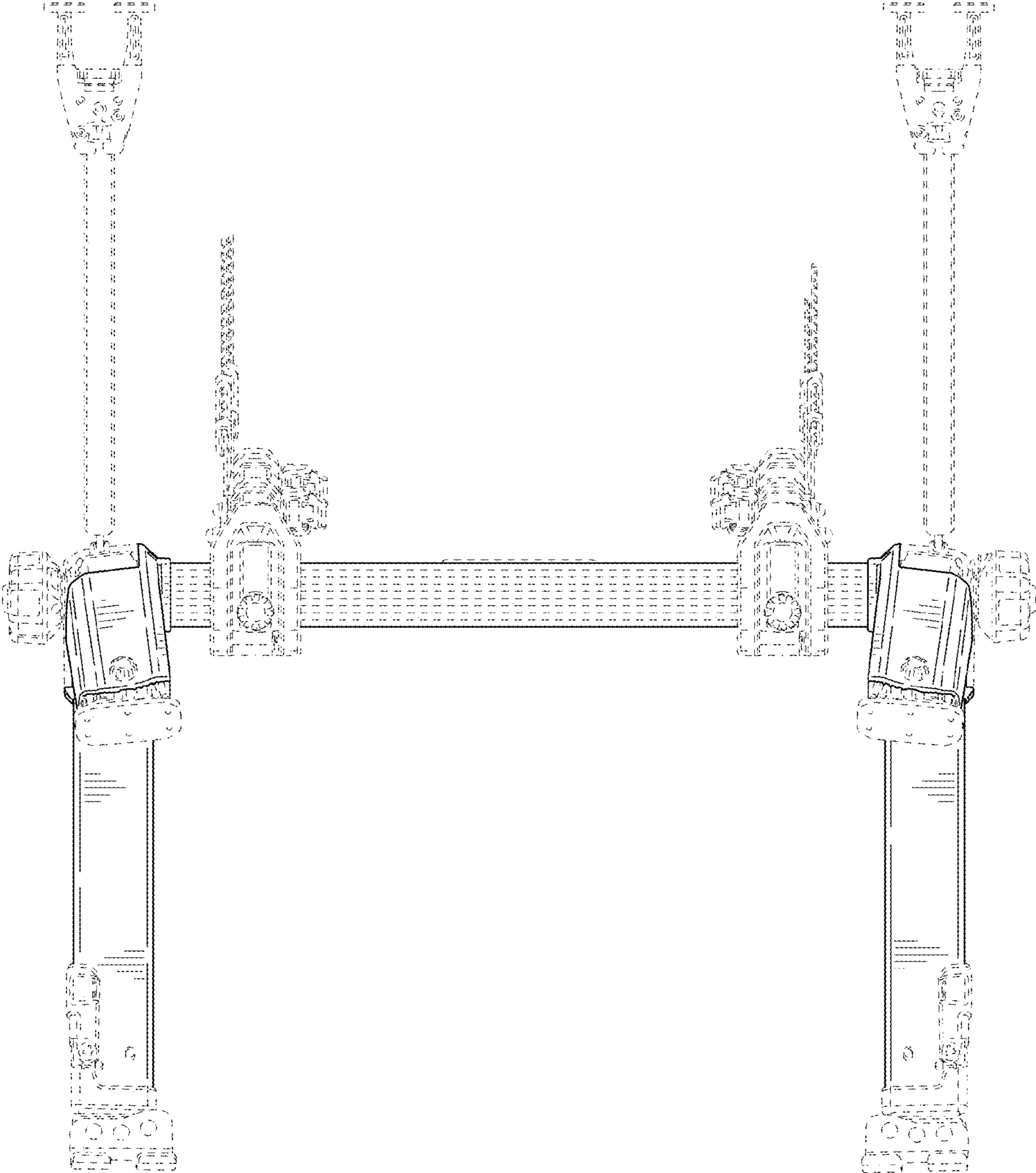


FIG. 3

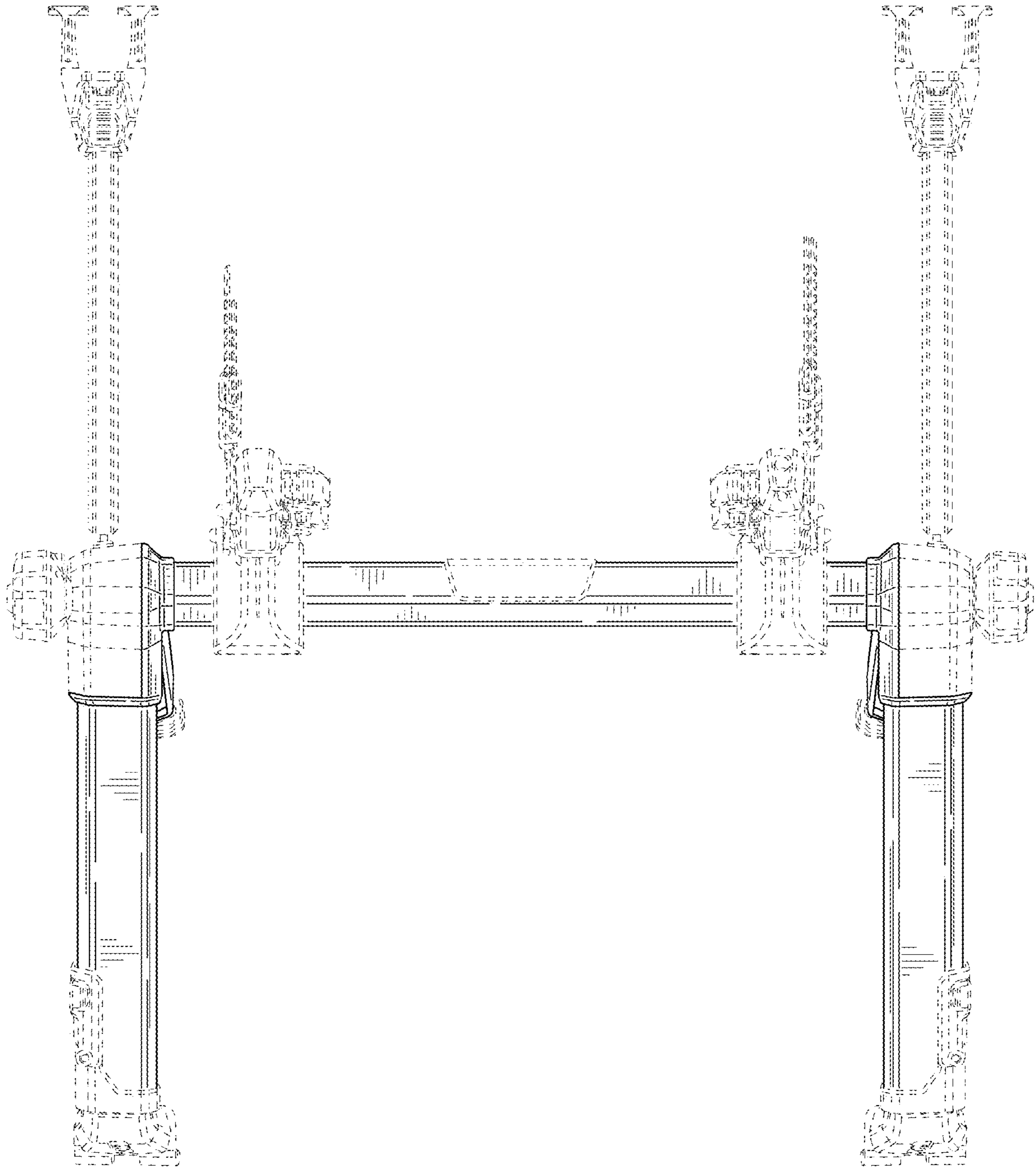


FIG. 4

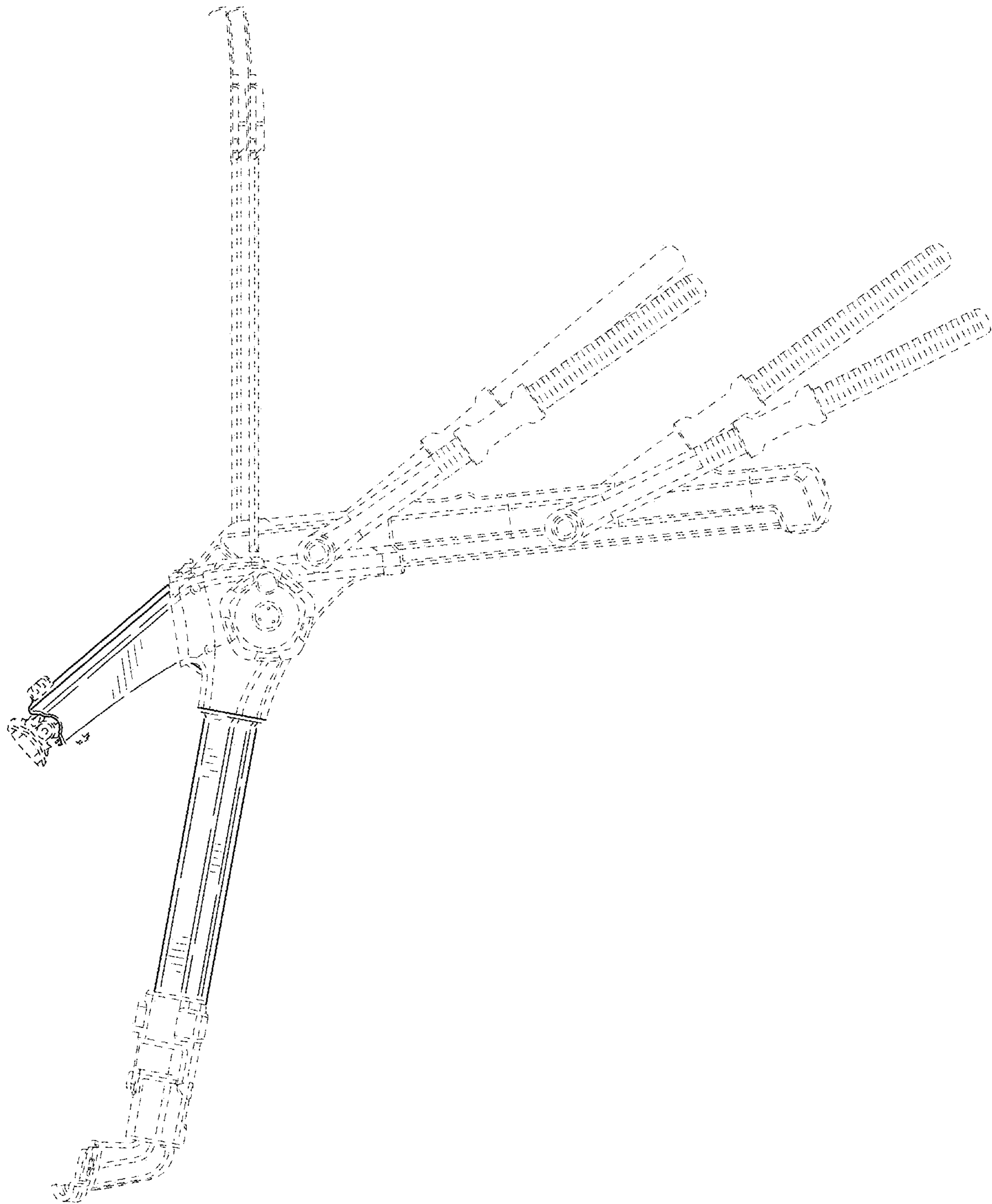


FIG. 5

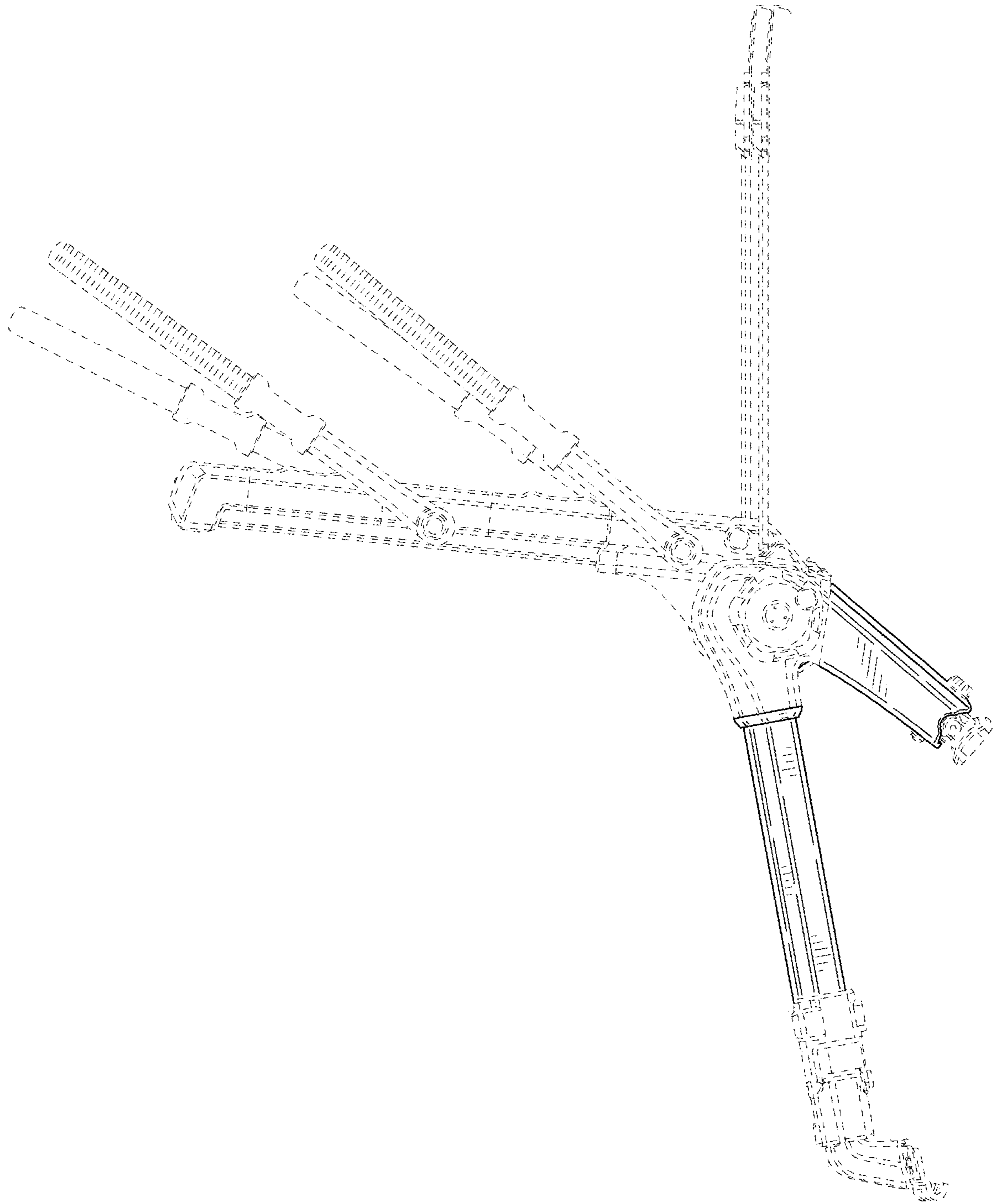


FIG. 6

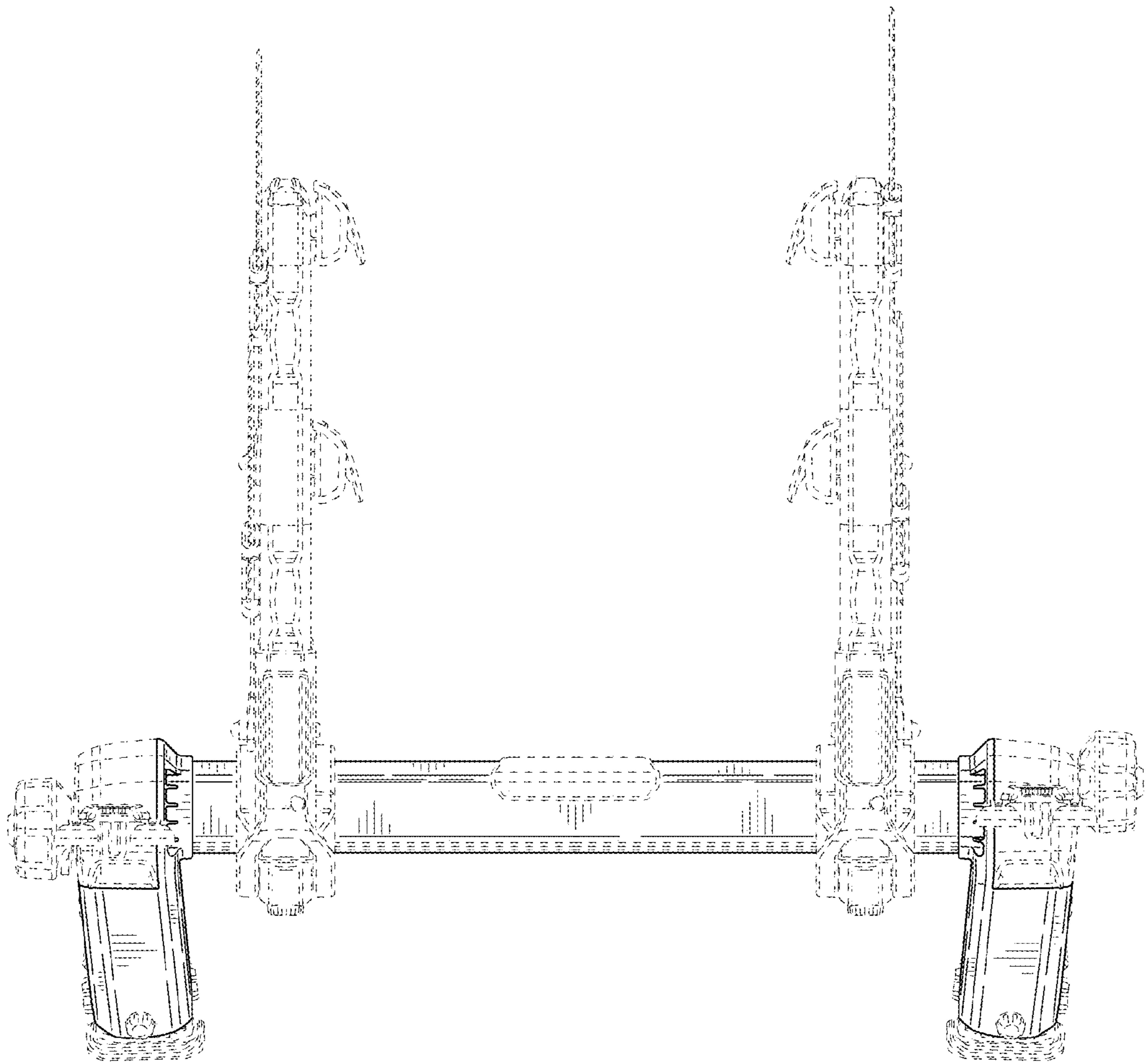


FIG. 7

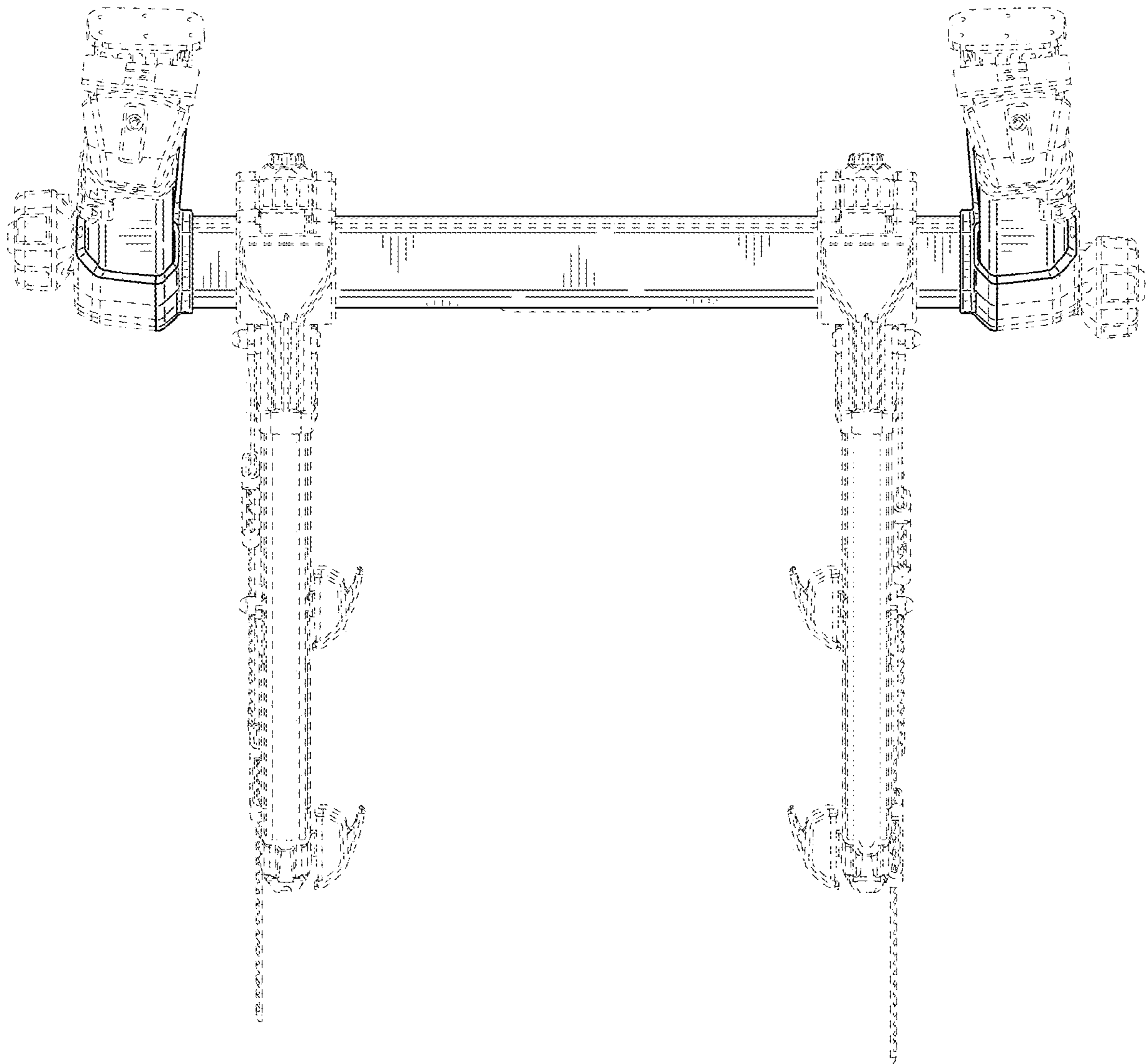


FIG. 8