



US00D940043S

(12) **United States Design Patent**  
**Carbis et al.**

(10) **Patent No.:** **US D940,043 S**

(45) **Date of Patent:** **\*\* Jan. 4, 2022**

- (54) **VEHICLE WHEEL CENTER CAP**
- (71) Applicant: **Ford Global Technologies, LLC**,  
Dearborn, MI (US)
- (72) Inventors: **Dean Carbis**, Bloomfield Hills, MI  
(US); **Daniel J. Kangas**, Livonia, MI  
(US); **Melvin Betancourt**, Shelby  
Township, MI (US)
- (73) Assignee: **Ford Global Technologies, LLC**,  
Dearborn, MI (US)
- (\*\*) Term: **15 Years**
- (21) Appl. No.: **29/700,452**
- (22) Filed: **Aug. 2, 2019**
- (51) **LOC (13) Cl.** ..... **12-16**
- (52) **U.S. Cl.**  
USPC ..... **D12/213**
- (58) **Field of Classification Search**  
USPC ..... D12/204-213; D21/563  
CPC .... B60B 7/00; B60B 7/02; B60B 7/04; B60B  
7/01; B60B 7/06; B60B 3/02; B60B 3/04;  
B60B 3/06; B60B 3/10; B60B 1/00;  
B60B 1/08; B60B 1/10; B60B 1/12  
See application file for complete search history.

D838,228 S *	1/2019	Chung	.....	D12/213
D852,715 S *	7/2019	Ash	.....	D12/213
D858,417 S *	9/2019	Woodhouse	.....	D12/213
D860,105 S *	9/2019	Moore	.....	D12/213
D885,296 S *	5/2020	Hale, Jr.	.....	D12/213
D904,965 S *	12/2020	Horlick	.....	D12/213
D911,246 S *	2/2021	Licklitter	.....	D12/213
D922,929 S *	6/2021	Ranum	.....	D12/213
2010/0194181 A1 *	8/2010	Noriega	.....	B60B 1/06 301/37.26

- (56) **References Cited**  
U.S. PATENT DOCUMENTS  
D498,447 S \* 11/2004 Kato ..... D12/207  
D662,869 S \* 7/2012 Ballard ..... D12/213  
D702,174 S \* 4/2014 Gordon ..... D12/213  
D751,022 S \* 3/2016 Chung ..... D12/213  
D751,489 S \* 3/2016 Chung ..... D12/213  
D761,183 S \* 7/2016 Bennett ..... B60B 7/04  
D12/213  
D784,240 S \* 4/2017 Platto ..... D12/213  
D798,218 S \* 9/2017 Platto ..... D12/213  
D803,137 S \* 11/2017 Platto ..... D12/213

**OTHER PUBLICATIONS**

Michael Martinez, Ford's 2020 Baby Bronco off-roader emerges in photos from dealer meeting, <http://www.automews.com/article/20181113/OEM04/181119911/ford-baby-bronco-photos-leaked> Nov. 13, 2018.

\* cited by examiner

*Primary Examiner* — Stacia A Cadmus

(74) *Attorney, Agent, or Firm* — Michael Spenner

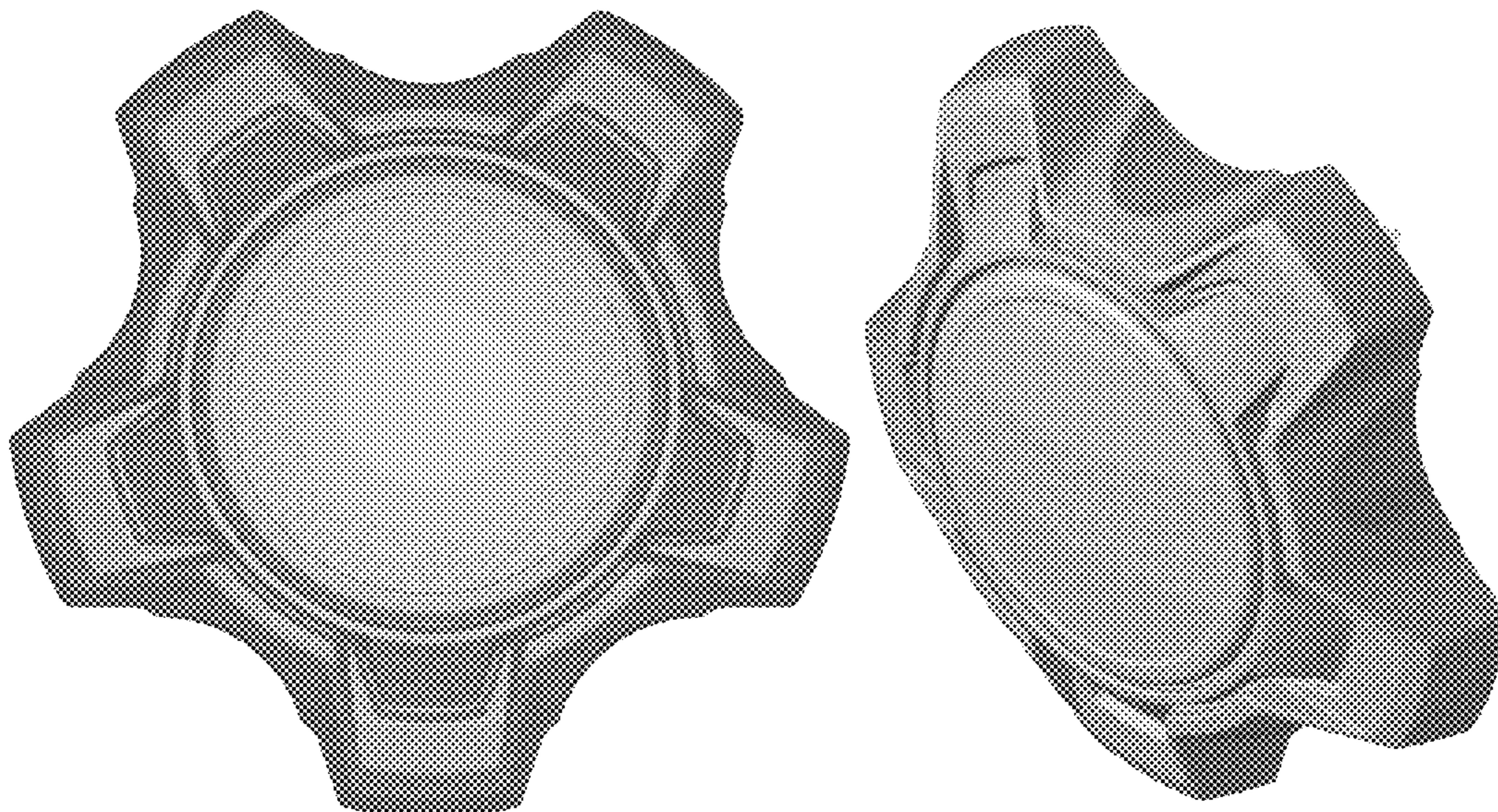
(57) **CLAIM**

The ornamental design for a vehicle wheel center cap, as shown and described.

**DESCRIPTION**

FIG. 1 is a front elevational view of a vehicle wheel center cap, showing our new design;  
FIG. 2 is a left side elevational view thereof;  
FIG. 3 is a right side elevational view thereof;  
FIG. 4 is a top plan view thereof;  
FIG. 5 is a bottom plan view thereof;  
FIG. 6 is a top, front and right side perspective view thereof;  
and,  
FIG. 7 is a top, front and left side perspective view thereof.  
The claimed design is indicated by the relatively dark portions in the figures. The de-emphasized and relatively light portions form no part of the claimed design.

**1 Claim, 7 Drawing Sheets**



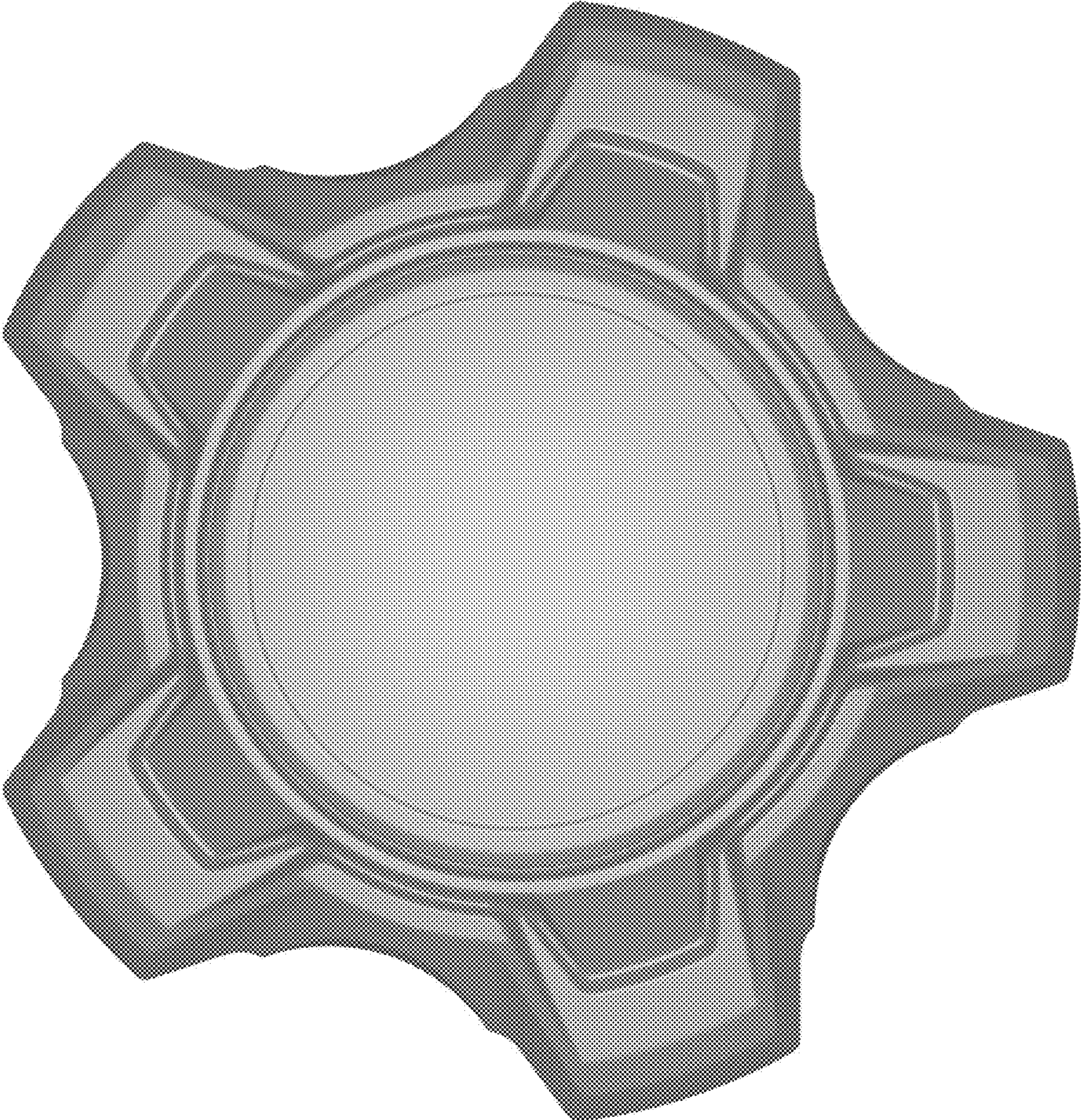
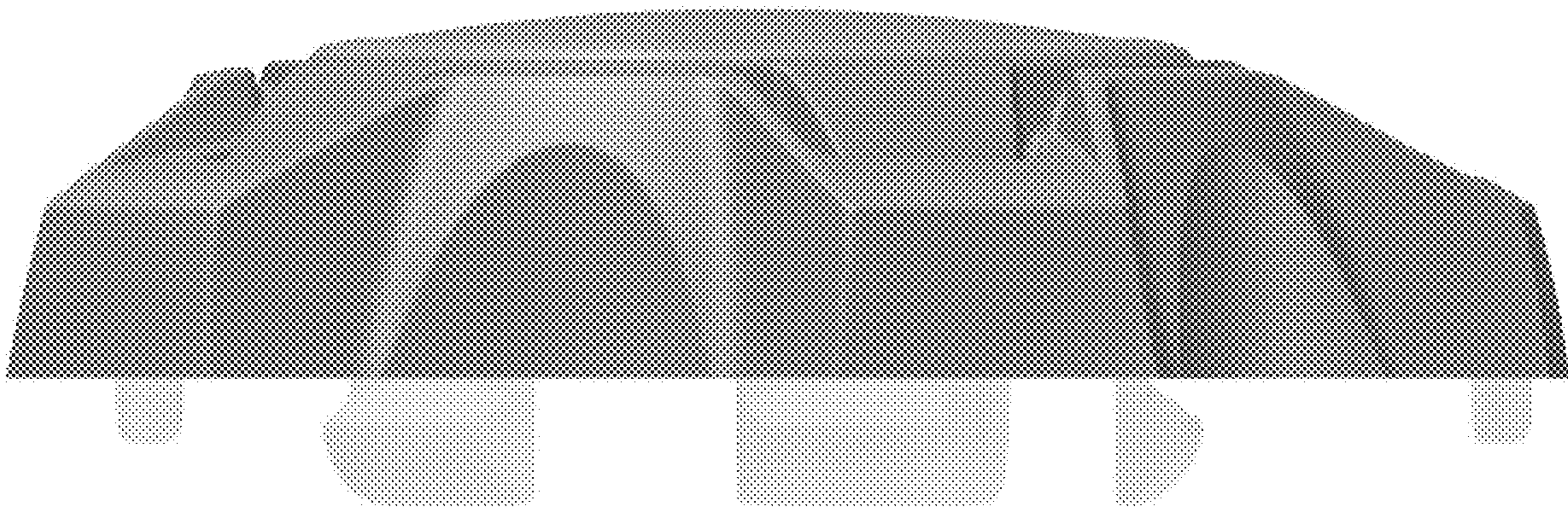


Fig. 1

Fig. 2



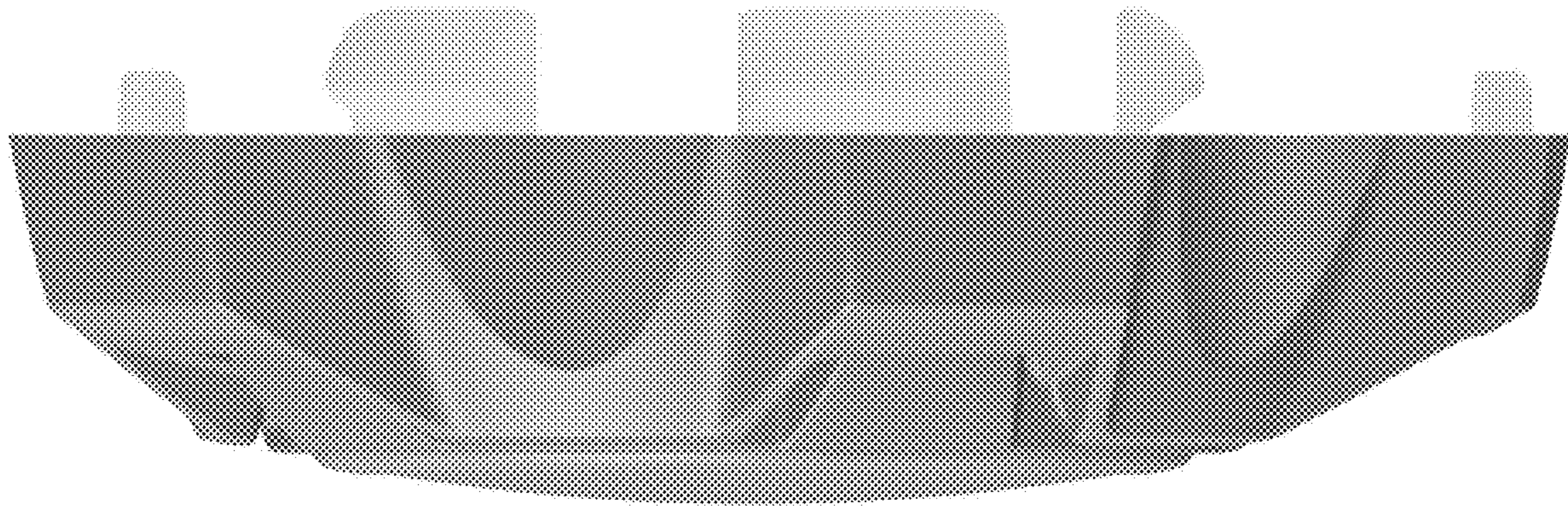


Fig. 3

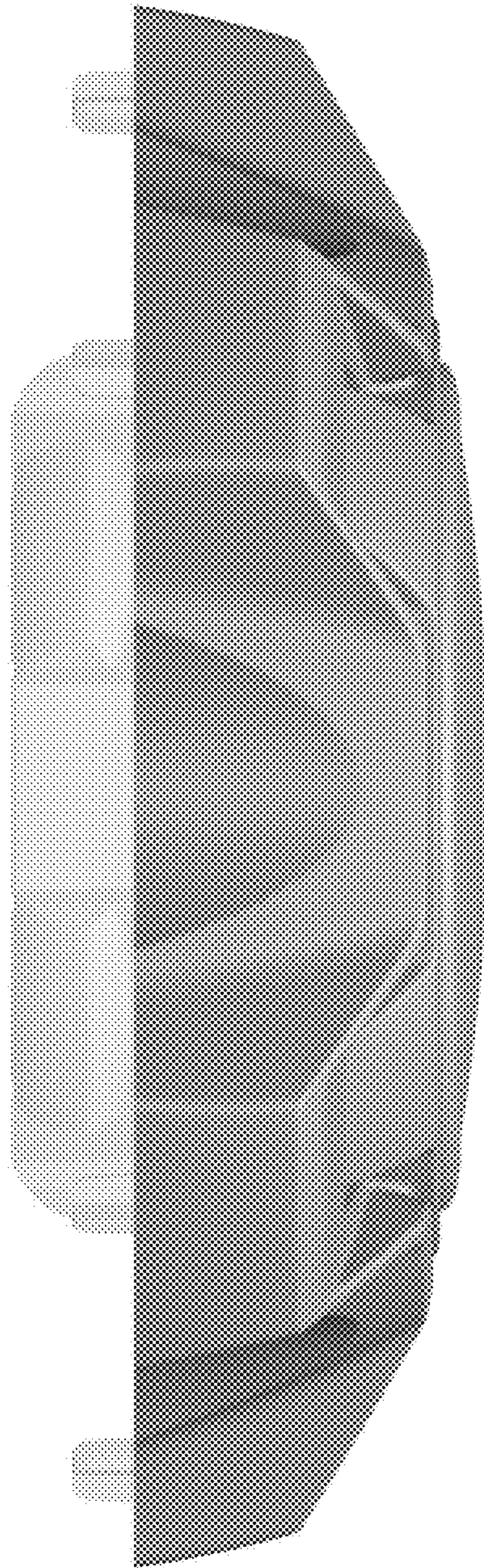
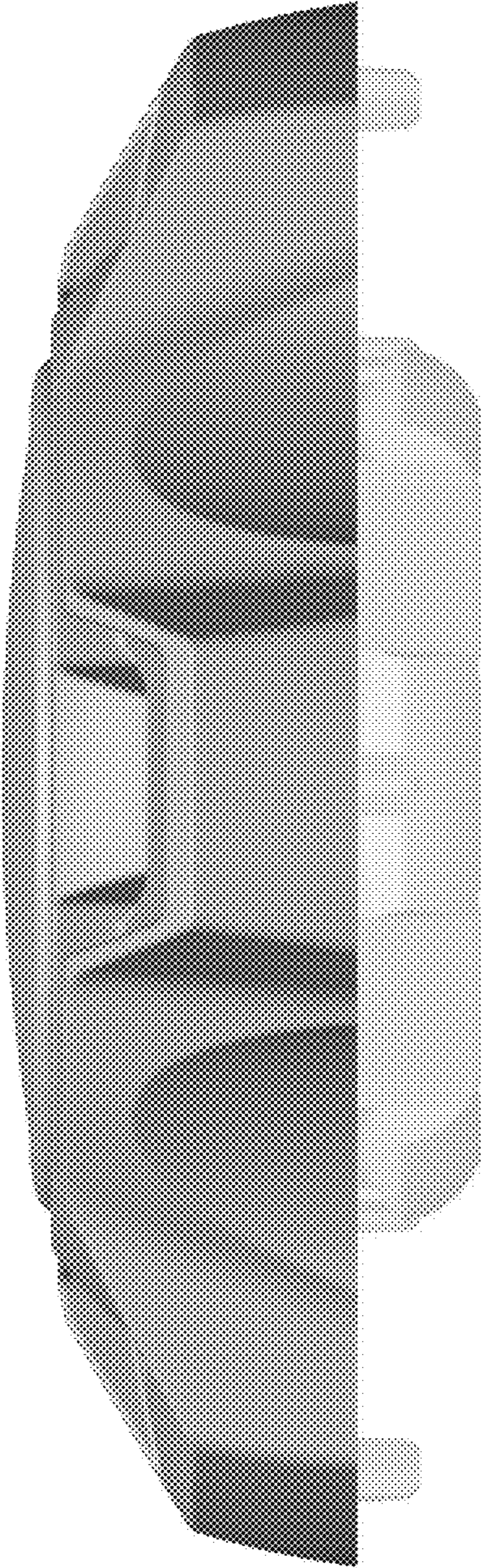


Fig.4

Fig. 5



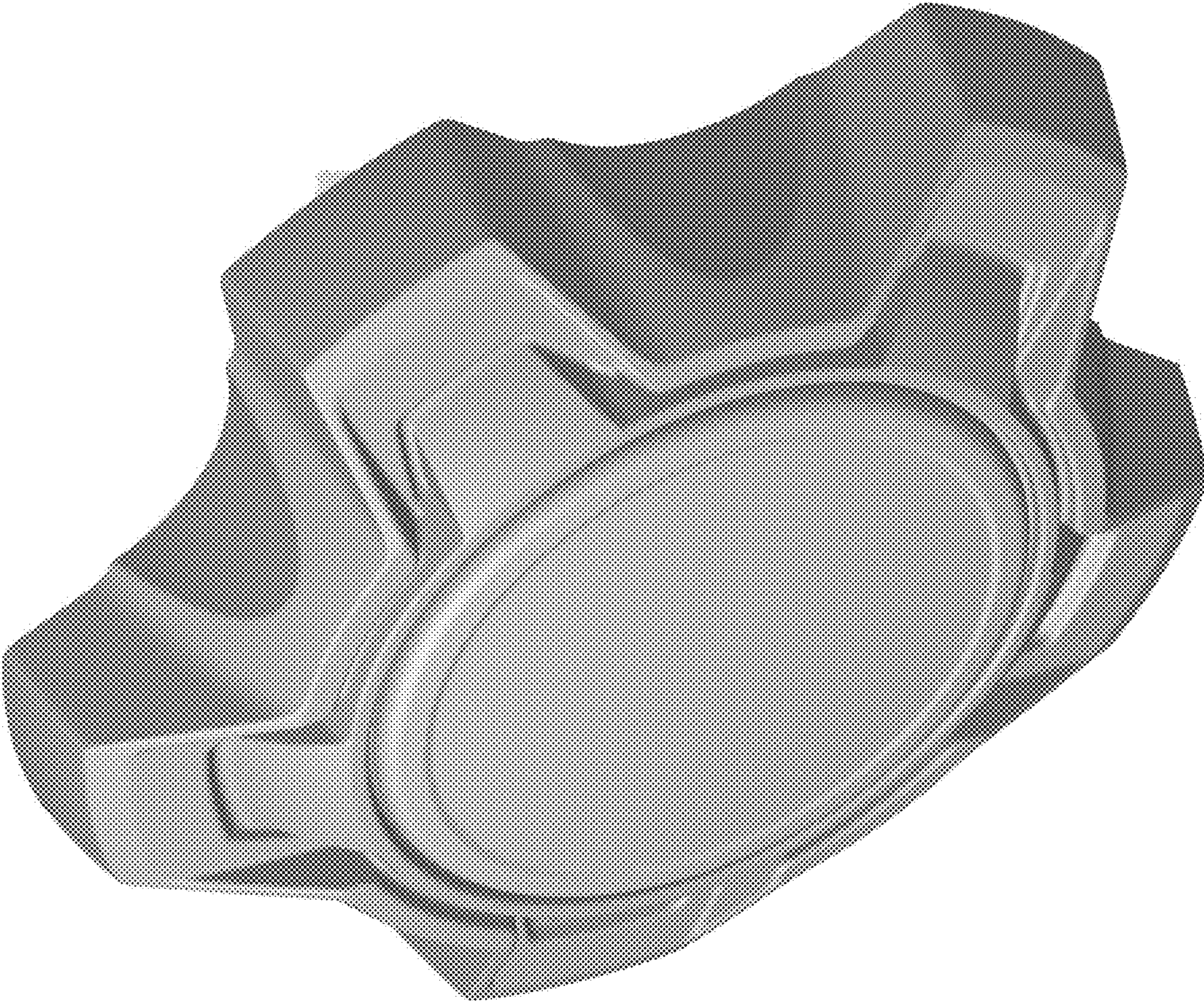


Fig. 6

Fig. 7

