



US00D940040S

(12) **United States Design Patent**
Han

(10) **Patent No.:** **US D940,040 S**
(45) **Date of Patent:** **** Jan. 4, 2022**

- (54) **AUTOMOTIVE WHEEL**
- (71) Applicant: **Donnie Han**, Irvine, CA (US)
- (72) Inventor: **Donnie Han**, Irvine, CA (US)
- (**) Term: **15 Years**
- (21) Appl. No.: **29/757,853**
- (22) Filed: **Nov. 10, 2020**
- (51) **LOC (13) Cl.** **12-16**
- (52) **U.S. Cl.**
USPC **D12/209**
- (58) **Field of Classification Search**
USPC D12/204–213; D21/563
CPC B60B 7/00; B60B 7/02; B60B 7/04; B60B 7/01; B60B 7/06; B60B 3/02; B60B 3/04; B60B 3/06; B60B 3/10; B60B 1/00; B60B 1/08; B60B 1/10; B60B 1/12
See application file for complete search history.

D760,142 S *	6/2016	Chu	D12/211
D824,316 S *	7/2018	Tran	D12/209
D840,895 S *	2/2019	Luo	D12/209
D859,265 S *	9/2019	Guidry	D12/209
D865,616 S *	11/2019	Tran	D12/209
D865,626 S *	11/2019	Han	D12/209
D873,756 S *	1/2020	Melville-Brown	D12/209
D881,101 S *	4/2020	Liu	D12/209
D891,344 S *	7/2020	Platto	D12/209
D892,017 S *	8/2020	Han	D12/209
D895,520 S *	9/2020	Badstuebner	D12/211
D902,116 S *	11/2020	Han	D12/209
D928,060 S *	8/2021	Han	D12/209
D934,769 S *	11/2021	Sempek	D12/209

* cited by examiner

Primary Examiner — Stacia A Cadmus

(57) **CLAIM**

The ornamental design for an automotive wheel, as shown and described.

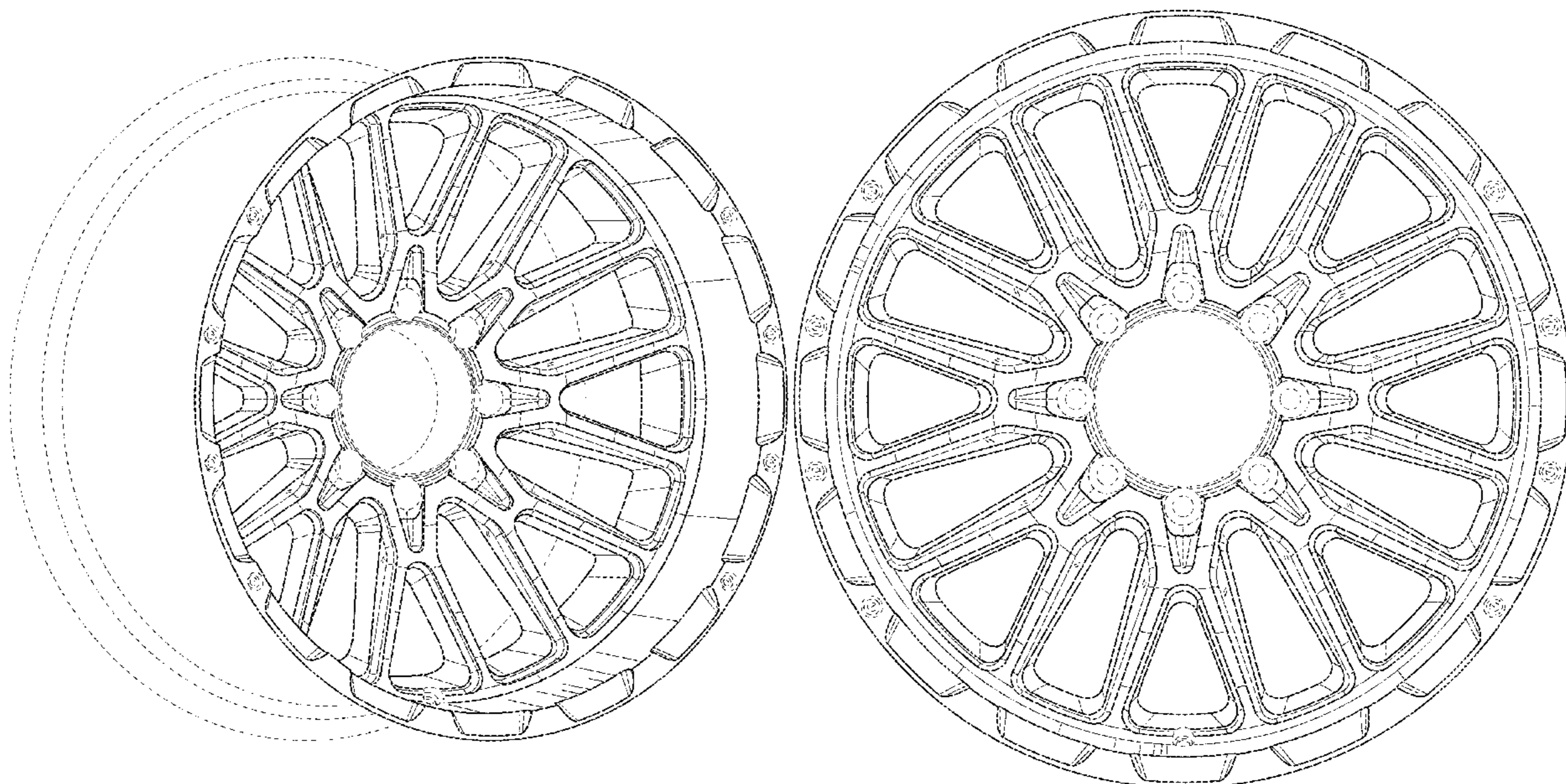
DESCRIPTION

FIG. 1 is a perspective view of an automotive wheel, showing my new design; and, FIG. 2 is a front view thereof. In the drawings, the portions of the wheel shown in broken lines form no part of the claimed design.

1 Claim, 2 Drawing Sheets

(56) **References Cited**
U.S. PATENT DOCUMENTS

D419,948 S *	2/2000	Cahyono	D12/211
D726,087 S *	4/2015	Breyton	D12/211



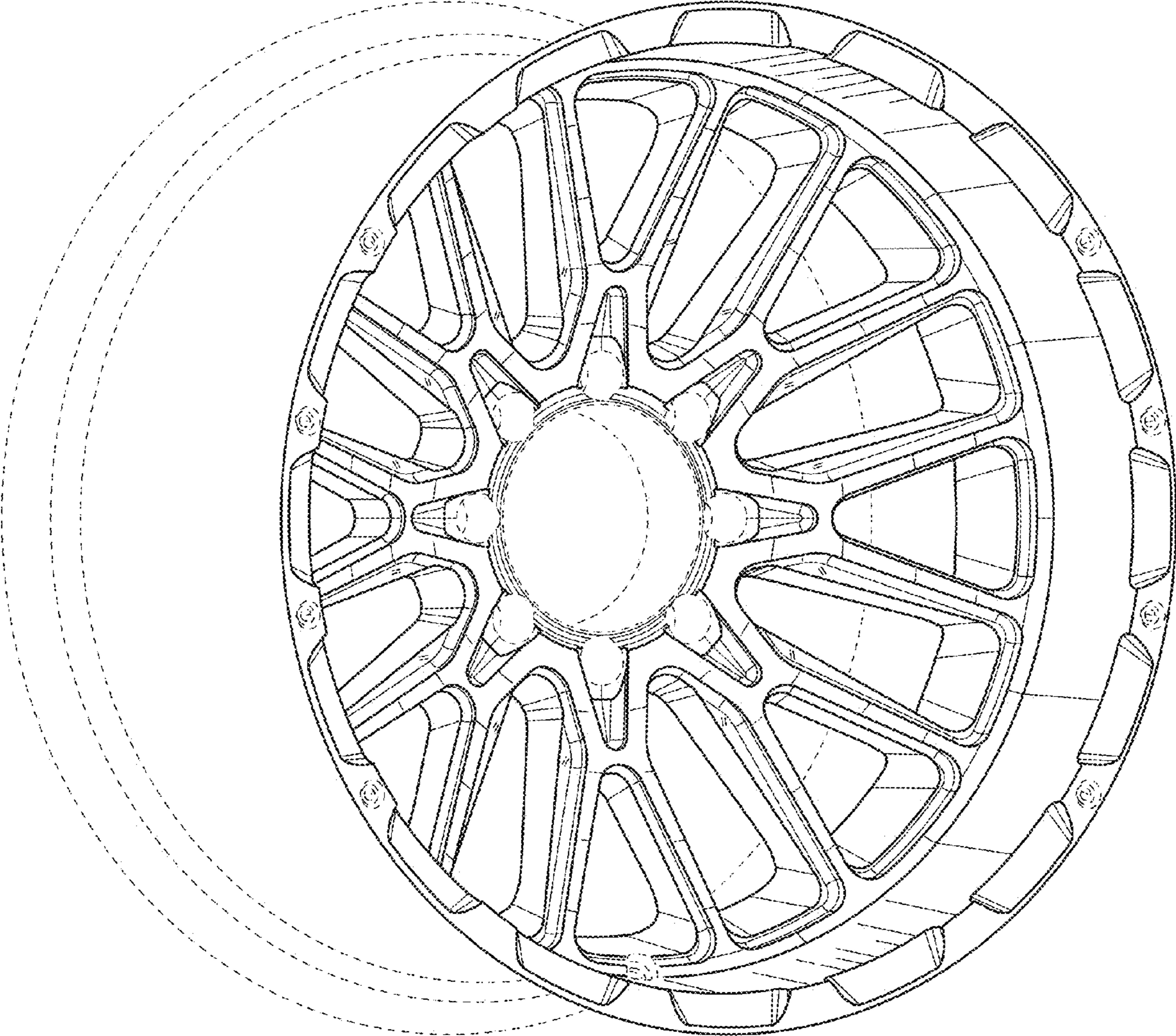


FIGURE 1

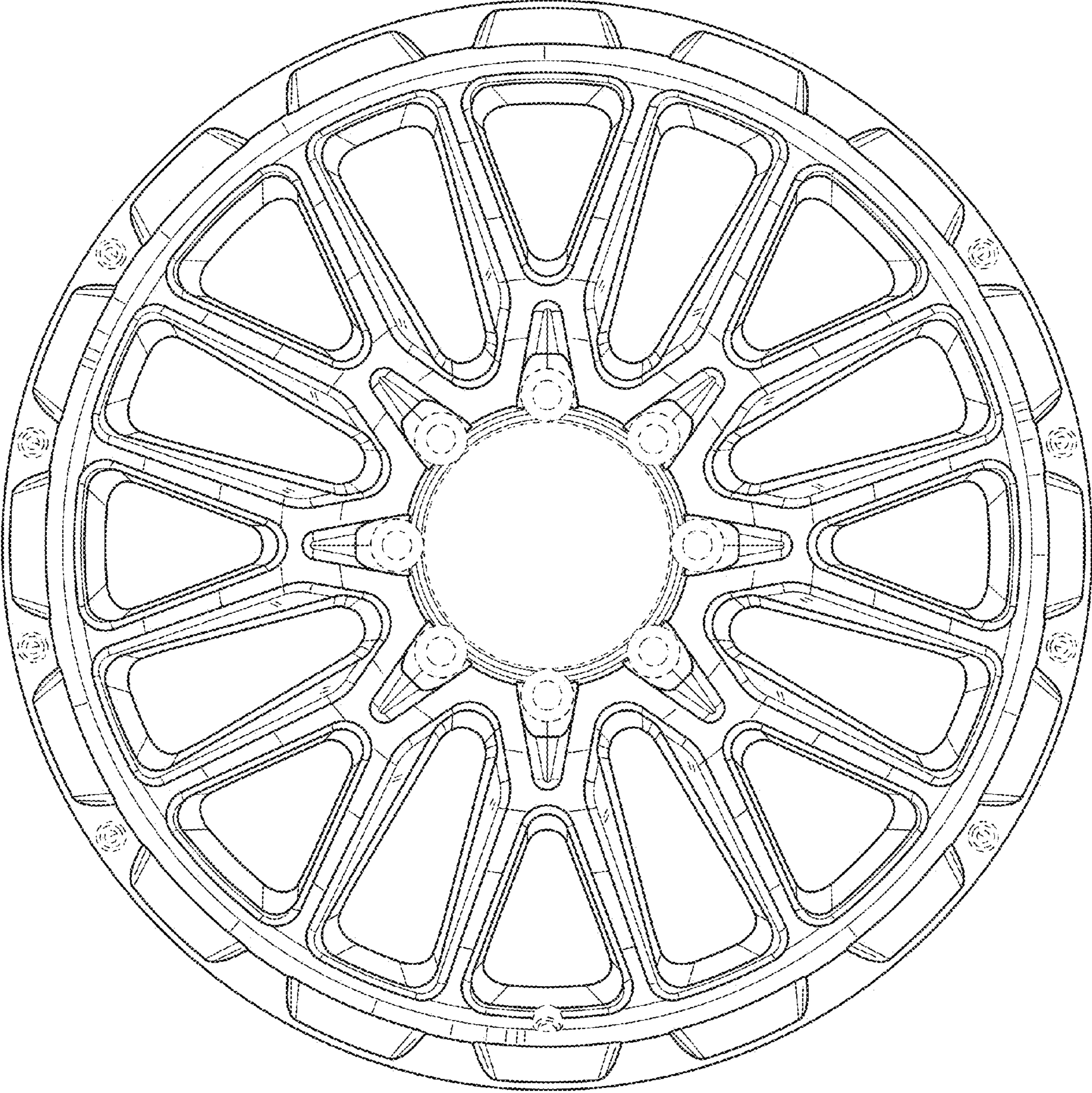


FIGURE 2