



US00D940033S

(12) **United States Design Patent**
Li et al.

(10) **Patent No.:** **US D940,033 S**

(45) **Date of Patent:** **** Jan. 4, 2022**

(54) **VEHICLE WHEEL**

(71) Applicant: **CITIC Dicastal Co., Ltd.**,
Qinhuangdao (CN)

(72) Inventors: **Zhen Li**, Qinhuangdao (CN); **Song Sheng**, Qinhuangdao (CN); **Shan Ma**, Qinhuangdao (CN)

(73) Assignee: **CITIC Dicastal Co., Ltd.**,
Qinhuangdao (CN)

(**) Term: **15 Years**

(21) Appl. No.: **29/713,928**

(22) Filed: **Nov. 19, 2019**

(30) **Foreign Application Priority Data**

May 29, 2019 (CN) 201930269391.0

(51) **LOC (13) Cl.** **12-16**

(52) **U.S. Cl.**
USPC **D12/209**

(58) **Field of Classification Search**
USPC D12/204–213; D21/563
CPC B60B 7/00; B60B 7/02; B60B 7/04; B60B 7/01; B60B 7/06; B60B 3/02; B60B 3/04; B60B 3/06; B60B 3/10; B60B 1/00; B60B 1/08; B60B 1/10; B60B 1/12
See application file for complete search history.

(56) **References Cited**

U.S. PATENT DOCUMENTS

D388,759 S * 1/1998 Weld D12/209
D418,796 S * 1/2000 Flueckiger D12/209

D519,431 S * 4/2006 Francis D12/209
D548,160 S * 8/2007 Viandante D12/209
D567,733 S * 4/2008 Arora D12/209
D572,184 S * 7/2008 Takigawa D12/209
D592,579 S * 5/2009 Tirado D12/209
D620,422 S * 7/2010 George D12/209
D623,998 S * 9/2010 Holstein D12/209
D667,356 S * 9/2012 Gotschke D12/211
D718,205 S * 11/2014 Boswell-Horstmeyer ... D12/209
D756,884 S * 5/2016 Denike D12/211
D762,544 S * 8/2016 Hashimoto D12/209
D842,207 S * 3/2019 Liu D12/209
D851,570 S * 6/2019 Zhen D12/209
D884,572 S * 5/2020 Steinhoff D12/209
D889,356 S * 7/2020 Han D12/209
D906,930 S * 1/2021 Ma D12/209
D906,935 S * 1/2021 Li D12/209

* cited by examiner

Primary Examiner — Stacia A Cadmus

(74) *Attorney, Agent, or Firm* — IPro, PLLC

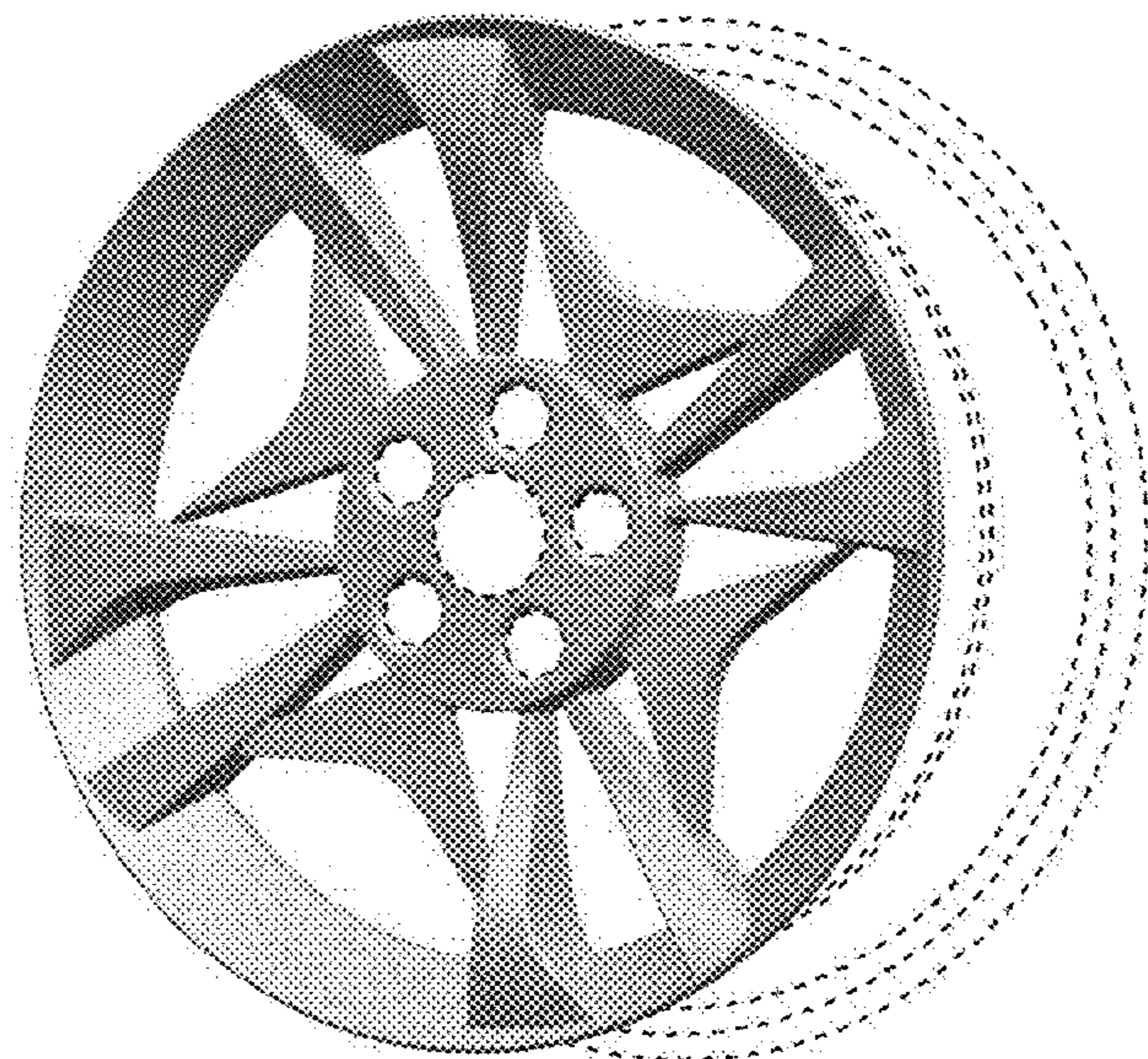
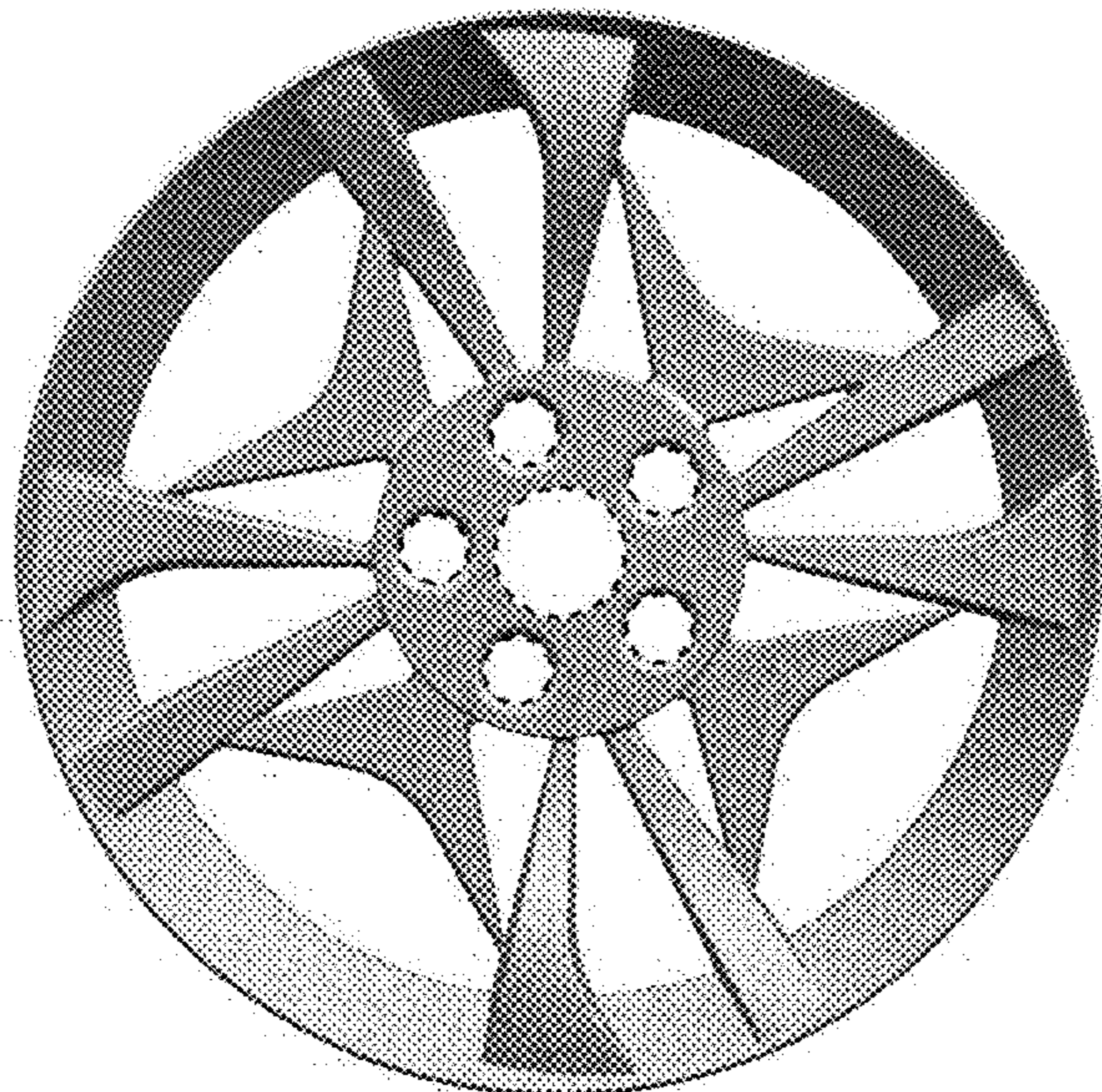
(57) **CLAIM**

The ornamental design for a vehicle wheel, as shown and described.

DESCRIPTION

FIG. 1 is a front view of a vehicle wheel.
FIG. 2 is a perspective view of the vehicle wheel; and,
FIG. 3 is a left side view of the vehicle wheel.
In the drawings the broken lines depict portions of the wheel that form no part of the claimed design.

1 Claim, 3 Drawing Sheets



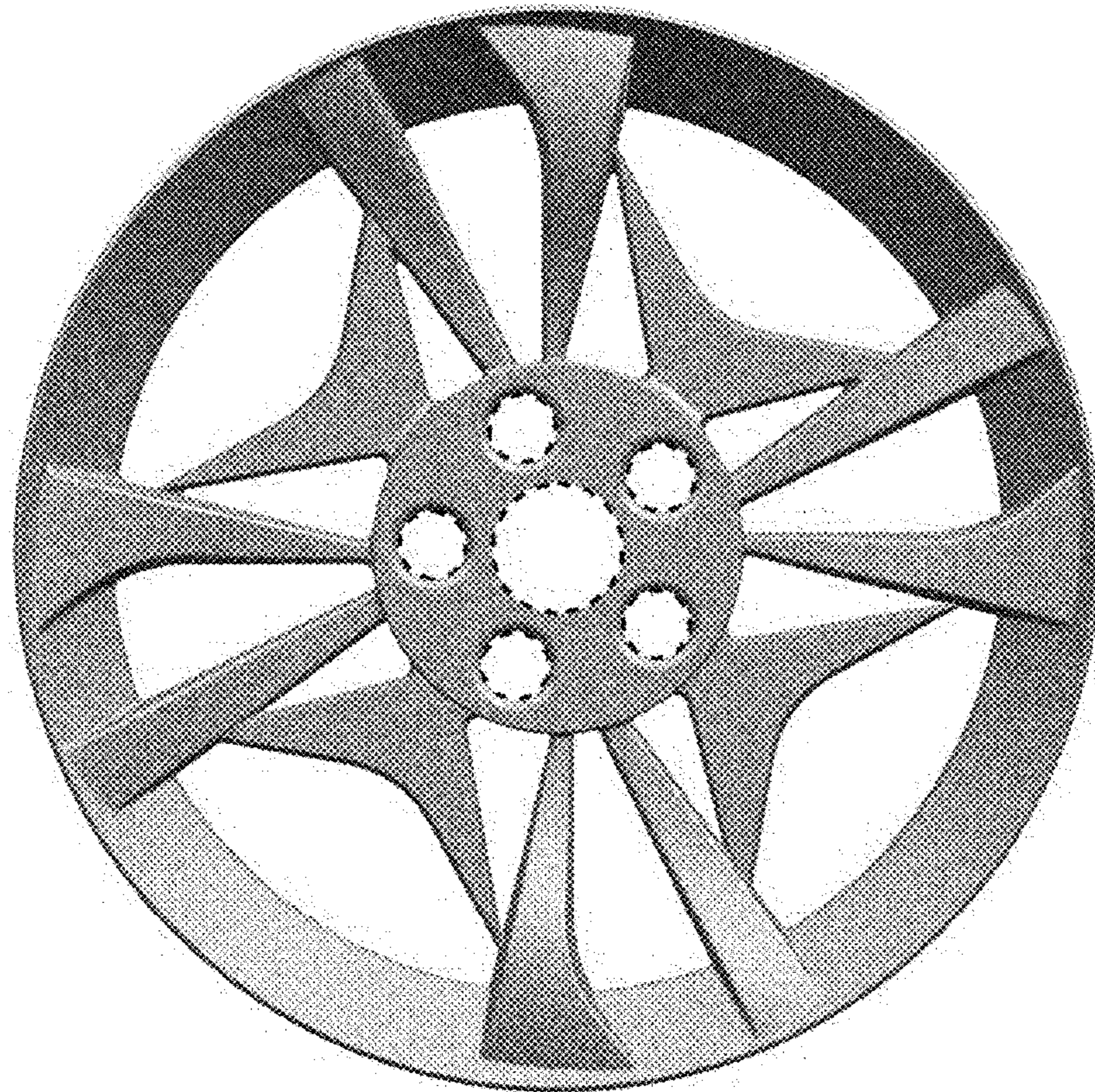


FIG. 1

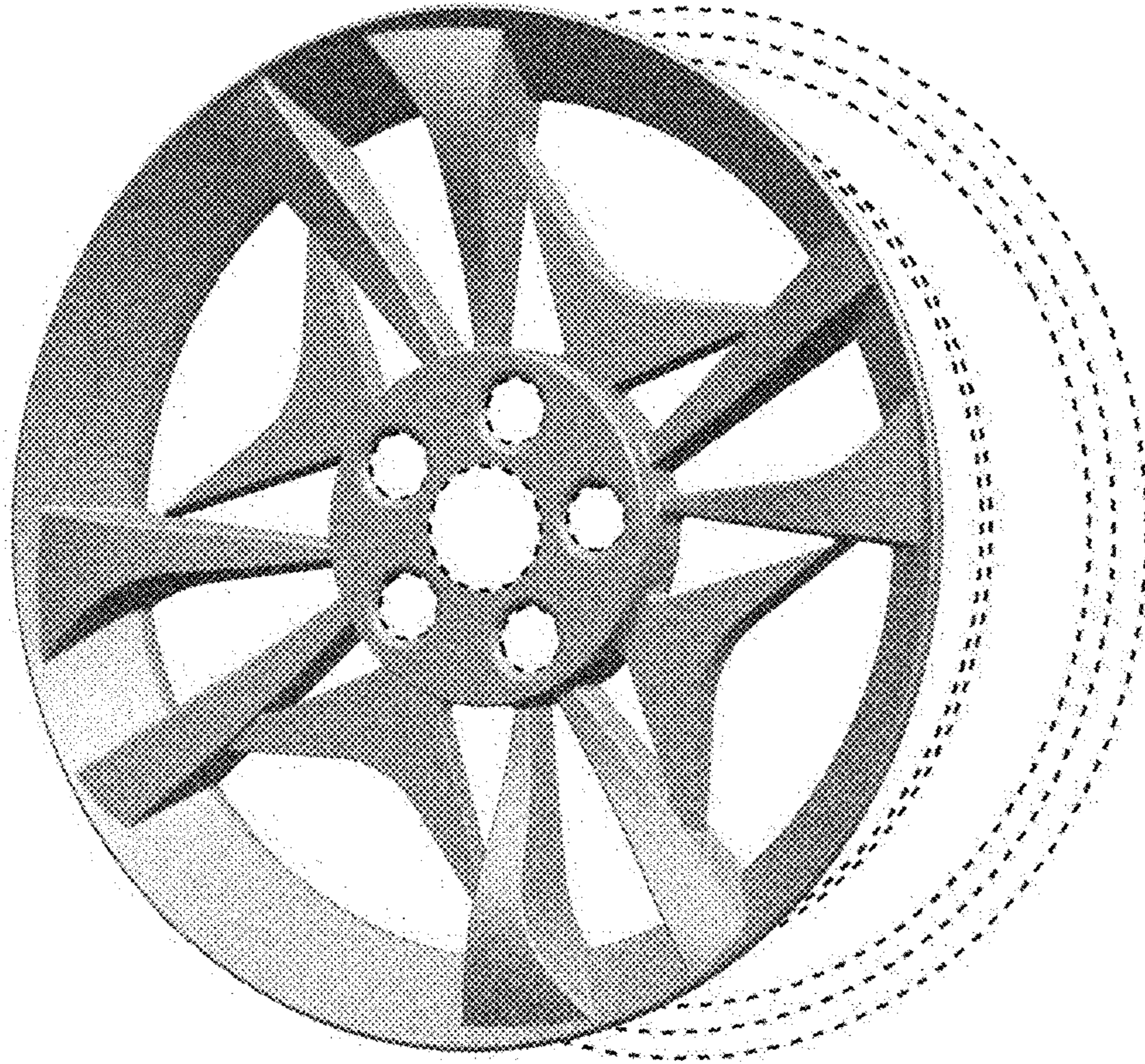


FIG. 2

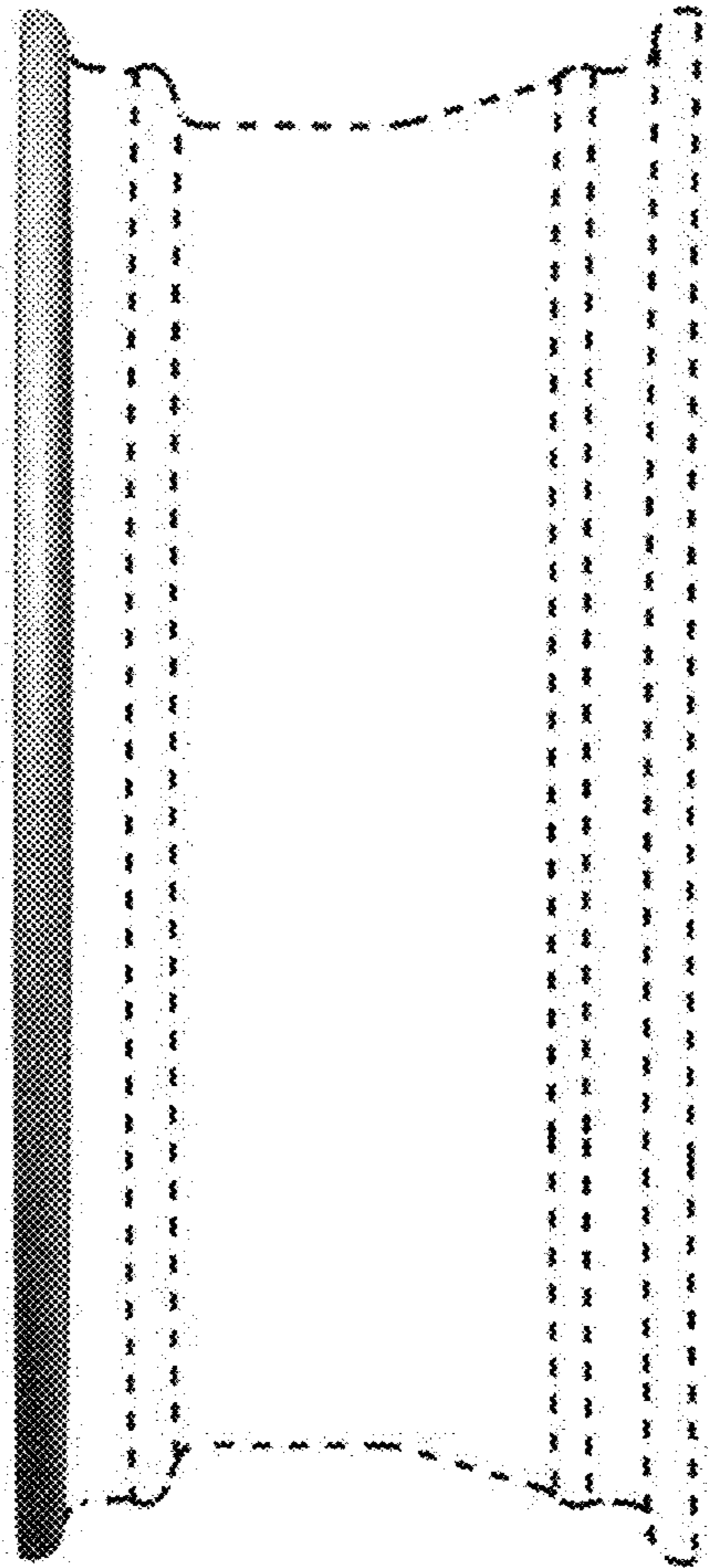


FIG. 3