



US00D940030S

(12) **United States Design Patent** (10) **Patent No.:** **US D940,030 S**
Li (45) **Date of Patent:** **** *Jan. 4, 2022**

(54) **VEHICLE SIDE STEP**
(71) Applicant: **SHENZHEN SANGSHEN E-COMMERCE CO., LTD.**, Shenzhen (CN)
(72) Inventor: **Chenghao Li**, Shenzhen (CN)
(73) Assignee: **SHENZHEN SANGSHEN E-COMMERCE CO., LTD.**, Shenzhen (CN)
(*) Notice: This patent is subject to a terminal disclaimer.
(**) Term: **15 Years**
(21) Appl. No.: **29/735,285**
(22) Filed: **May 20, 2020**
(51) **LOC (13) Cl.** **12-16**
(52) **U.S. Cl.**
USPC **D12/203**
(58) **Field of Classification Search**
USPC D12/203, 98, 314, 162, 190, 196
CPC .. B60R 3/02; B60R 3/00; B60R 3/002; B60R 3/005; B60R 3/007
See application file for complete search history.

D789,858 S * 6/2017 Hare D12/203
D805,986 S * 12/2017 Chi D12/203
D809,446 S * 2/2018 Montoya D12/203
D811,975 S * 3/2018 Guo D12/203
D824,830 S * 8/2018 Wolf D12/203
D829,626 S * 10/2018 Tang D12/203
D833,940 S * 11/2018 DiCanzio D12/203
D843,908 S * 3/2019 Mosingo D12/203
D847,716 S * 5/2019 Kim D12/203
D856,244 S * 8/2019 Hodges D12/203
D864,068 S * 10/2019 Fichter D12/203
D864,069 S * 10/2019 Fichter D12/203
D864,070 S * 10/2019 Keith D12/203
D864,827 S * 10/2019 DiCanzio D12/203
D867,252 S * 11/2019 Lanini D12/203
2012/0228848 A1 * 9/2012 Fichter B60R 3/002
280/163
2016/0059774 A1 * 3/2016 Crandall B60Q 1/2696
280/164.1

* cited by examiner

Primary Examiner — Michelle E. Wilson
Assistant Examiner — Clese Moore, Jr.

(57) **CLAIM**

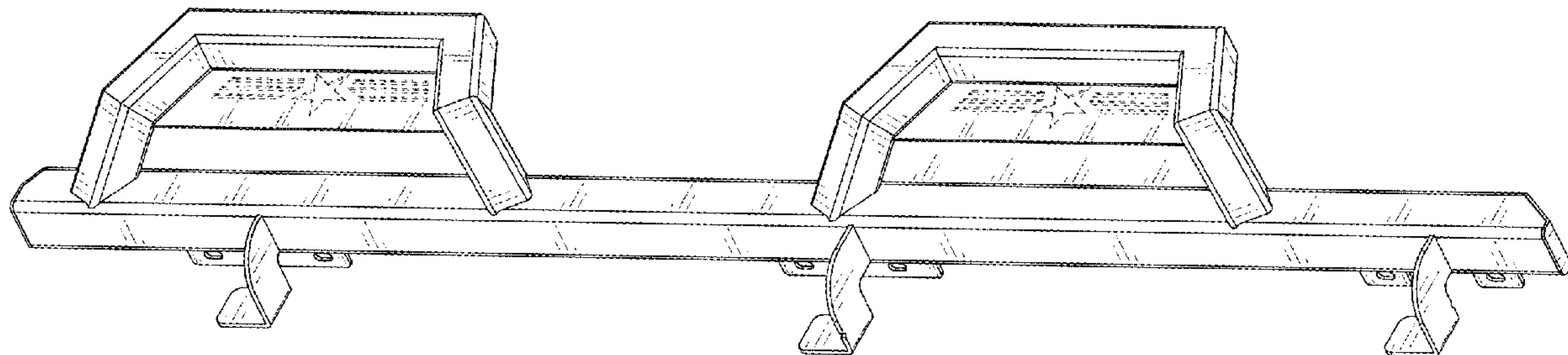
The ornamental design for a vehicle side step, as shown and described.

DESCRIPTION

FIG. 1 is a perspective view of a vehicle side step showing my new design;
FIG. 2 is another perspective view thereof;
FIG. 3 is a front elevational view thereof;
FIG. 4 is a rear elevational view thereof;
FIG. 5 is a left side elevational view thereof;
FIG. 6 is a right side elevational view thereof;
FIG. 7 is a top plan view thereof; and,
FIG. 8 is a bottom plan view thereof.
The broken lines in the drawings depict portions of the vehicle side step that form no part of the claimed design.

1 Claim, 8 Drawing Sheets

(56) **References Cited**
U.S. PATENT DOCUMENTS
D568,222 S * 5/2008 Storer D12/203
D665,713 S * 8/2012 Pochurek D12/203
D671,874 S * 12/2012 Kekich, Jr. D12/203
8,864,158 B1 * 10/2014 Perkins B60R 3/002
280/163
D720,674 S * 1/2015 Stanesic D12/203
D731,384 S * 6/2015 Farr D12/203
D737,188 S * 8/2015 Perkins D12/203
D739,322 S * 9/2015 Villareal D12/203
D757,622 S * 5/2016 Wolf D12/203



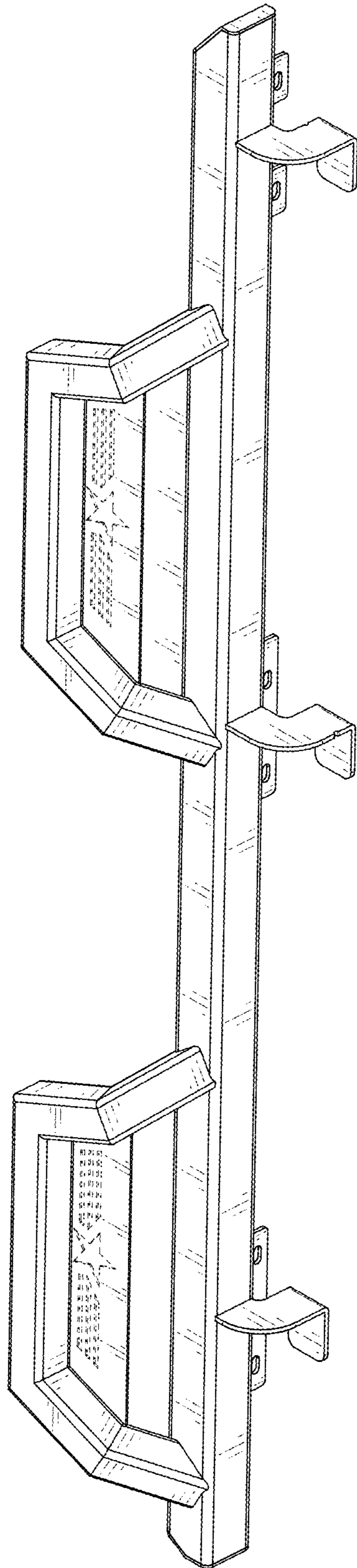


FIG. 1

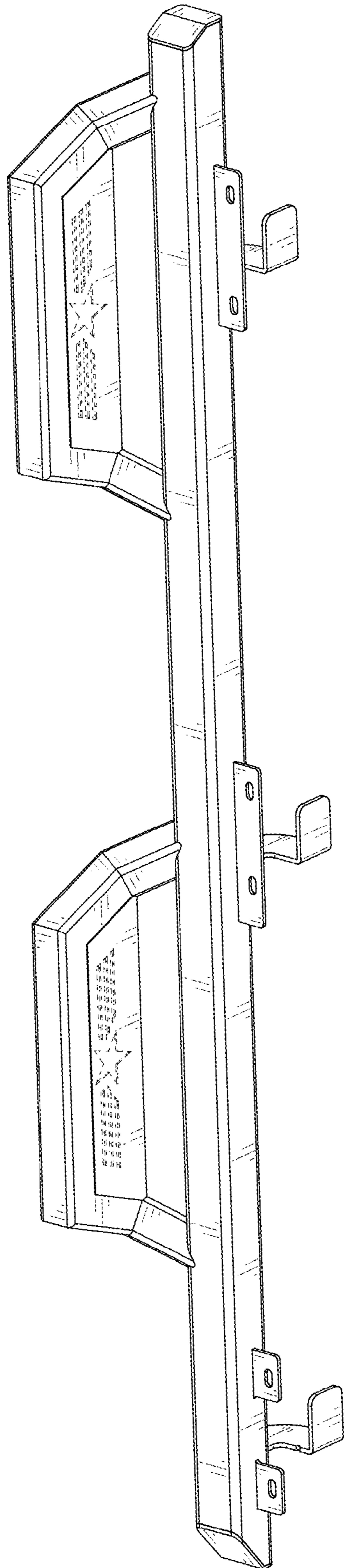


FIG. 2

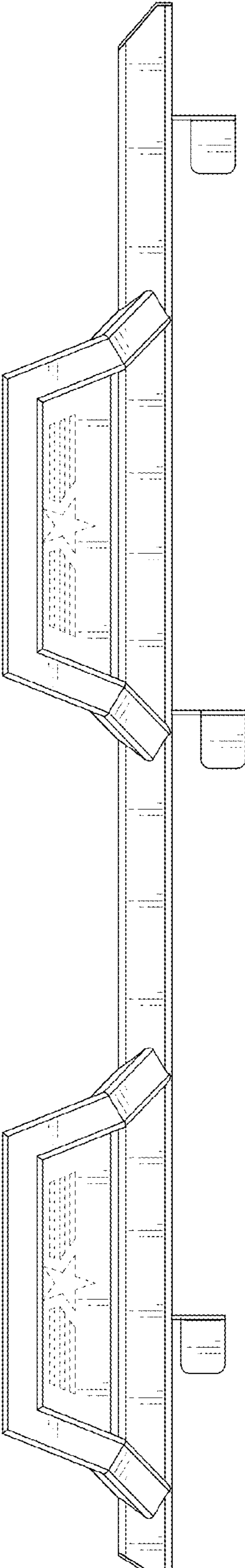


FIG. 3

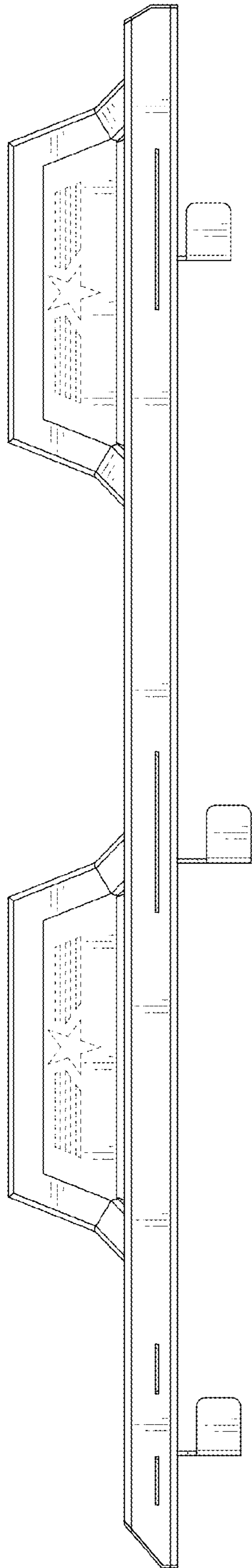


FIG. 4

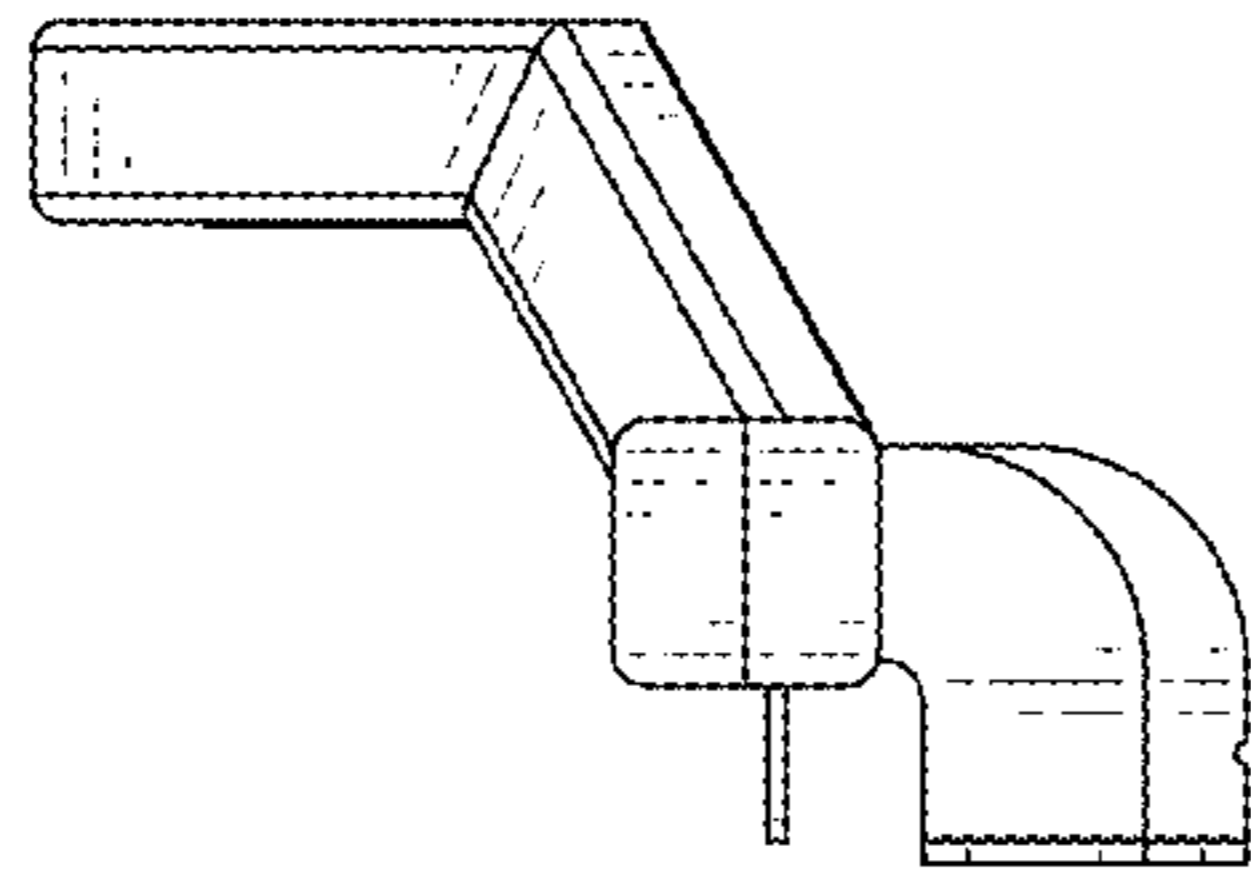


FIG. 5

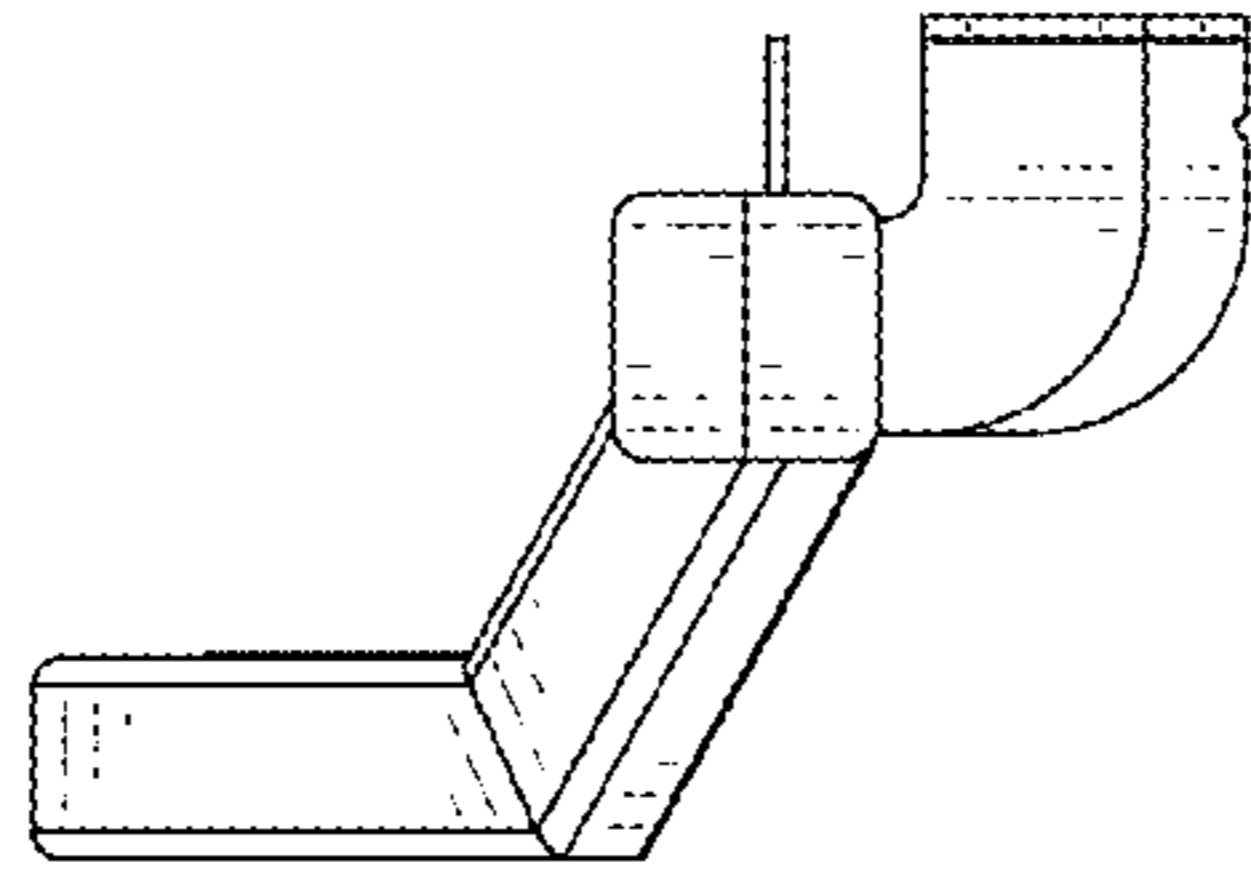


FIG. 6

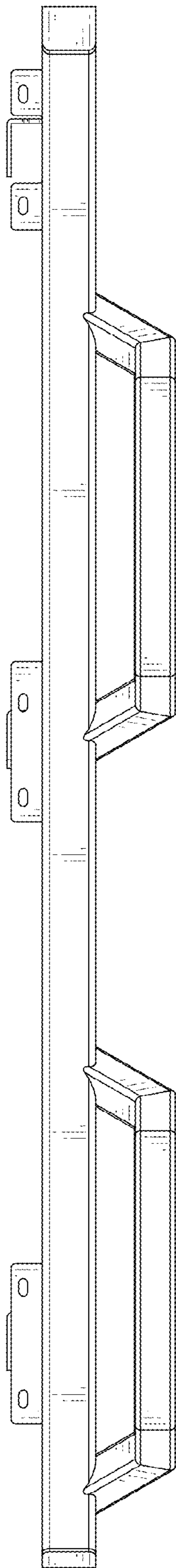


FIG. 7

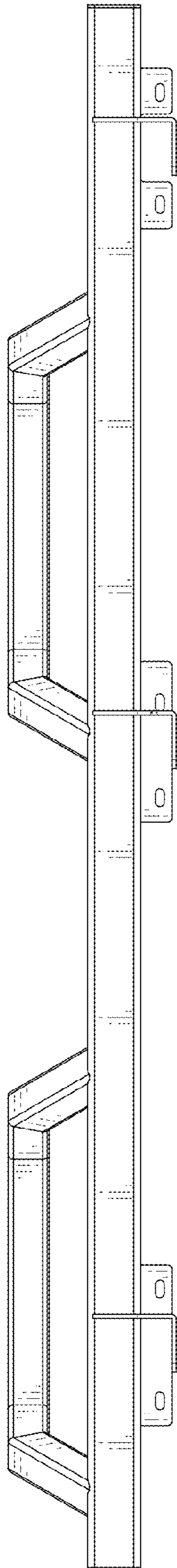


FIG. 8